



US00D445018S

(12) **United States Design Patent**  
**Fiorentino et al.**

(10) **Patent No.:** **US D445,018 S**  
(45) **Date of Patent:** **\*\* Jul. 17, 2001**

(54) **STABILIZER RING FOR A PARACHUTE SEA ANCHOR**

5,937,491 \* 8/1999 Chih ..... 24/700

\* cited by examiner

(75) Inventors: **Jenero Fiorentino**, San Pedro, CA (US); **Zack D. Smith**, Olympia, WA (US)

*Primary Examiner*—Holly Baynham  
(74) *Attorney, Agent, or Firm*—Morland C. Fischer

(73) Assignee: **Kimberly Hadash**, Newport Beach, CA (US)

(57) **CLAIM**

The ornamental design for a stabilizer ring for a parachute sea anchor, as shown and described.

(\*\*) Term: **14 Years**

**DESCRIPTION**

(21) Appl. No.: **29/130,368**

FIG. 1 is a side elevational view showing a stabilizer ring for a parachute sea anchor which forms our new design, the boat, parachute and tether lines which are shown in phantom being for illustrative purposes only and forming no part of our design;

(22) Filed: **Oct. 2, 2000**

(51) **LOC (7) Cl.** ..... **08-05**

(52) **U.S. Cl.** ..... **D8/349**

(58) **Field of Search** ..... D8/367, 373, 382;  
24/700-701, 256 H, 265 H, 265 C

FIG. 2 is a top plan view thereof, this view and the opposite bottom plan view being mirror images;

FIG. 3 is a right side elevational view thereof;

FIG. 4 is a front elevational view thereof, this view and the opposite rear elevational view being mirror images; and,

FIG. 5 is a left side elevational view thereof.

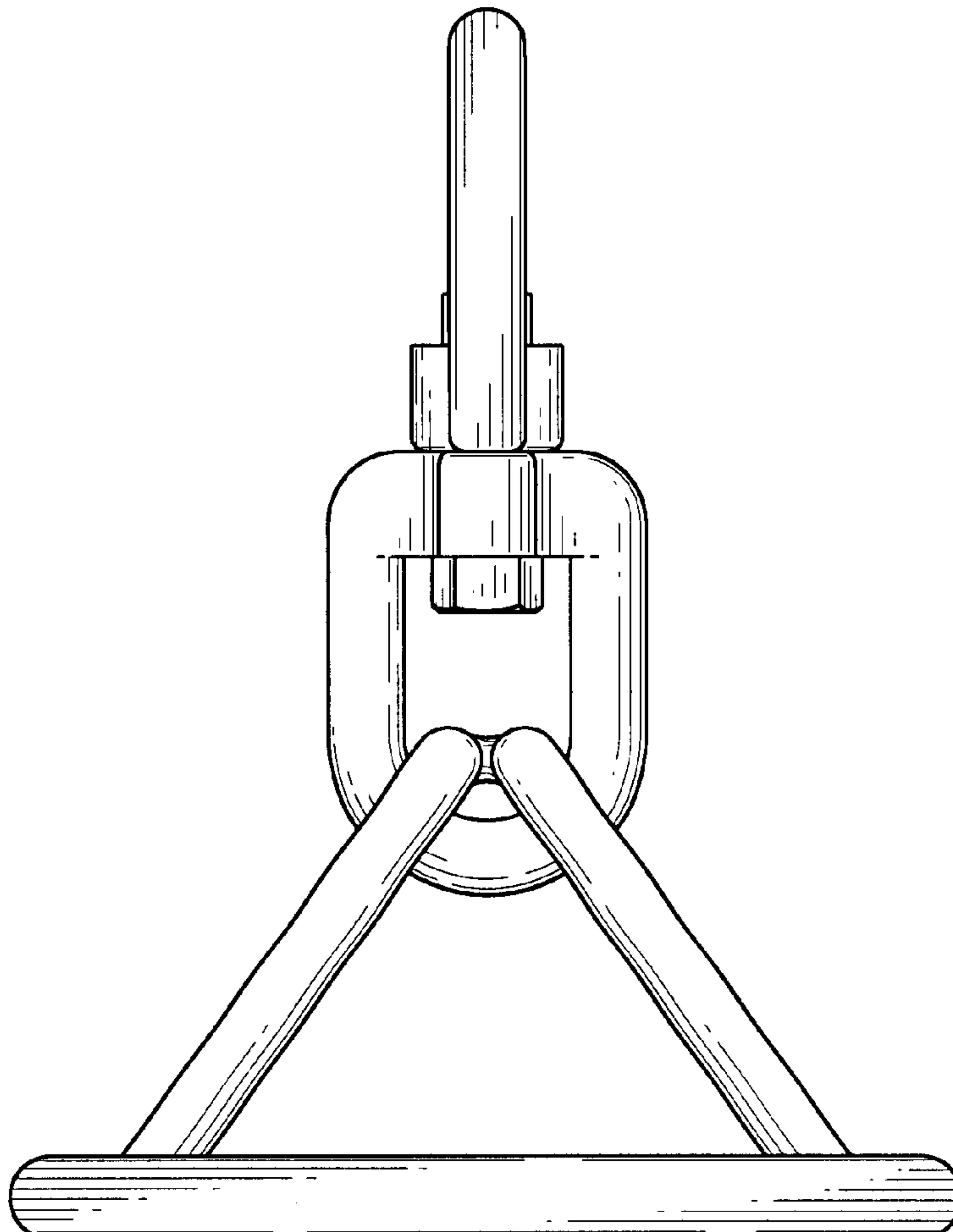
(56) **References Cited**

**U.S. PATENT DOCUMENTS**

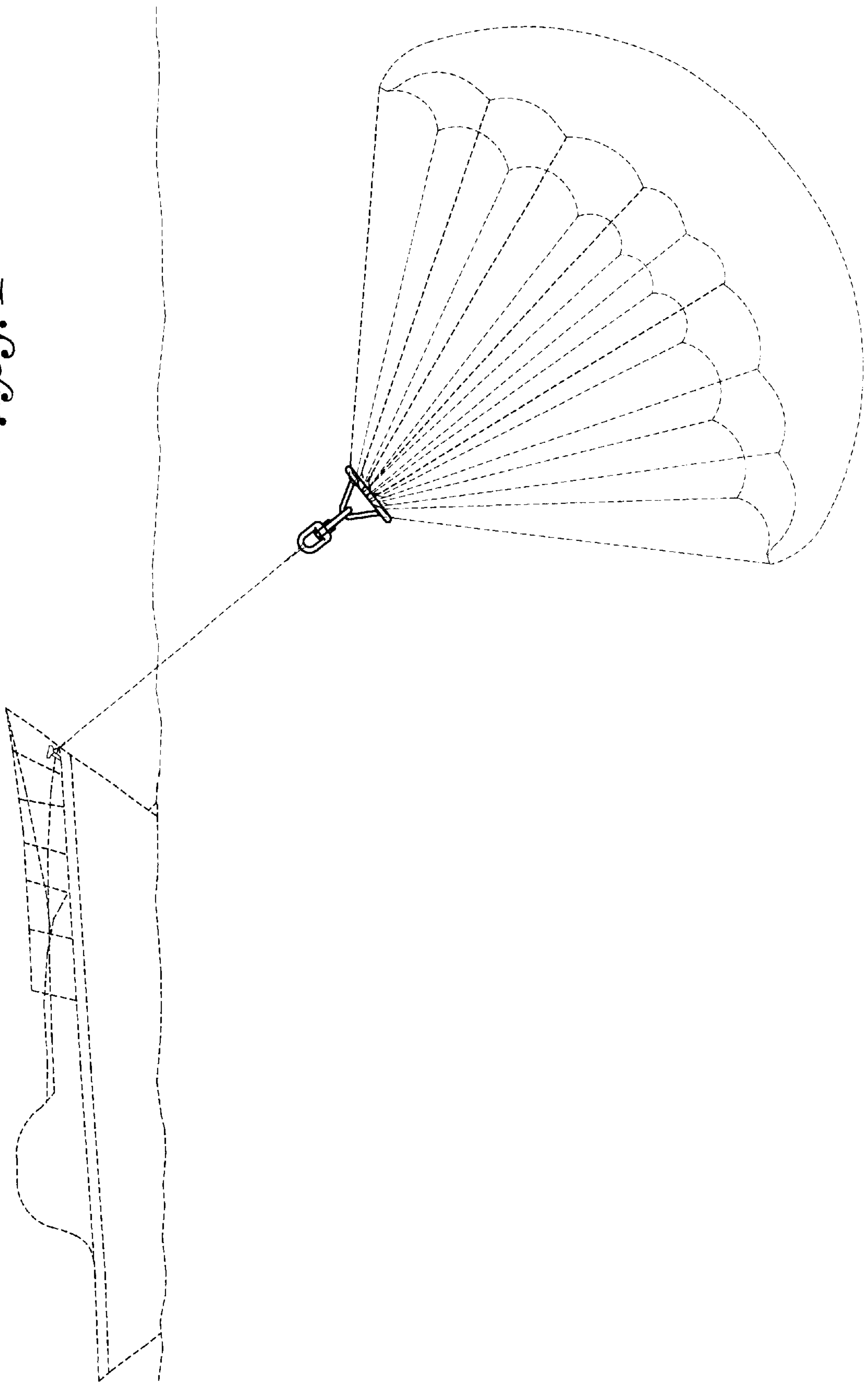
D. 400,157 \* 10/1998 Fiorentino et al. .

D. 429,996 \* 8/2000 Fiorentino ..... D8/356

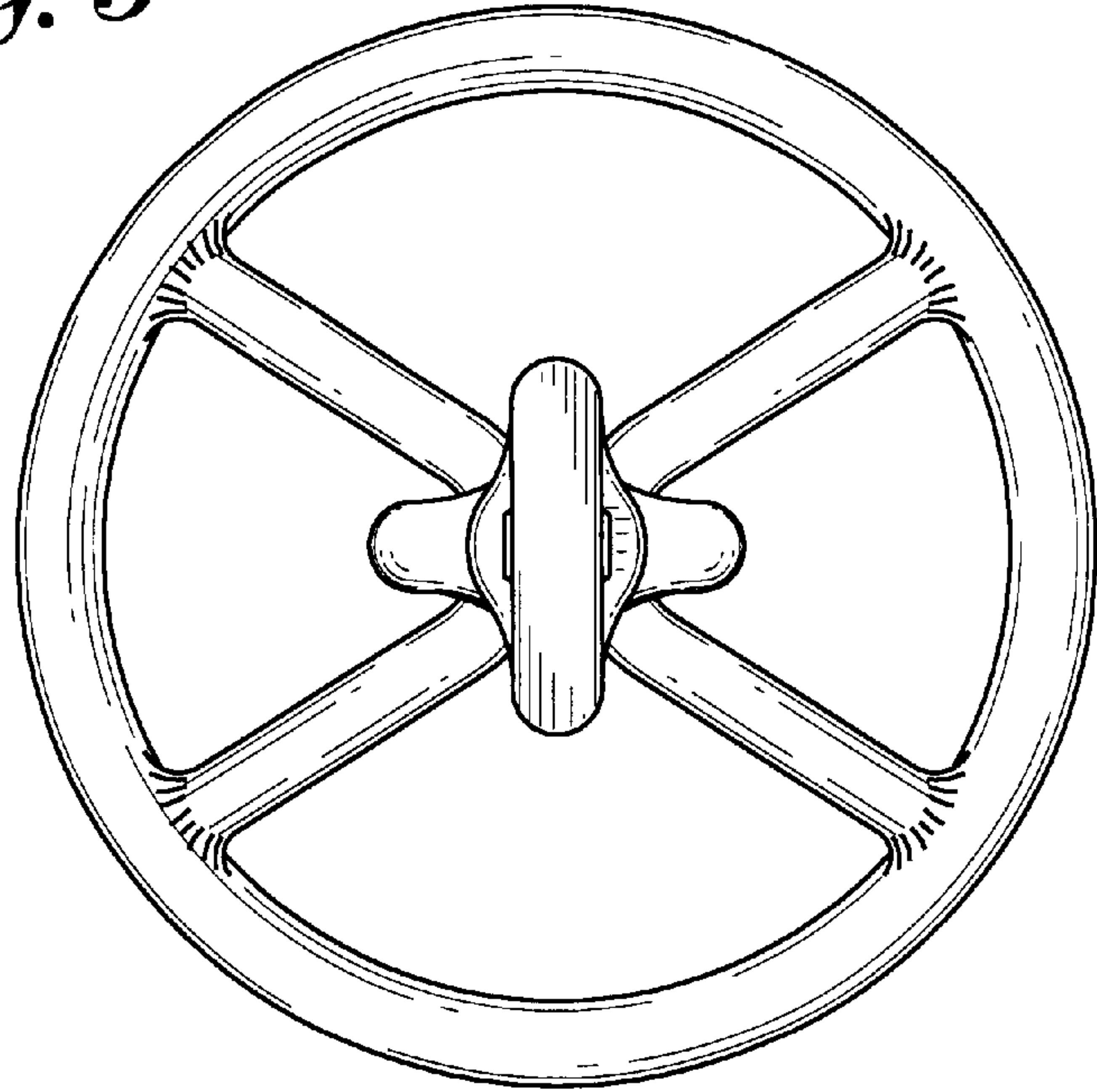
**1 Claim, 3 Drawing Sheets**



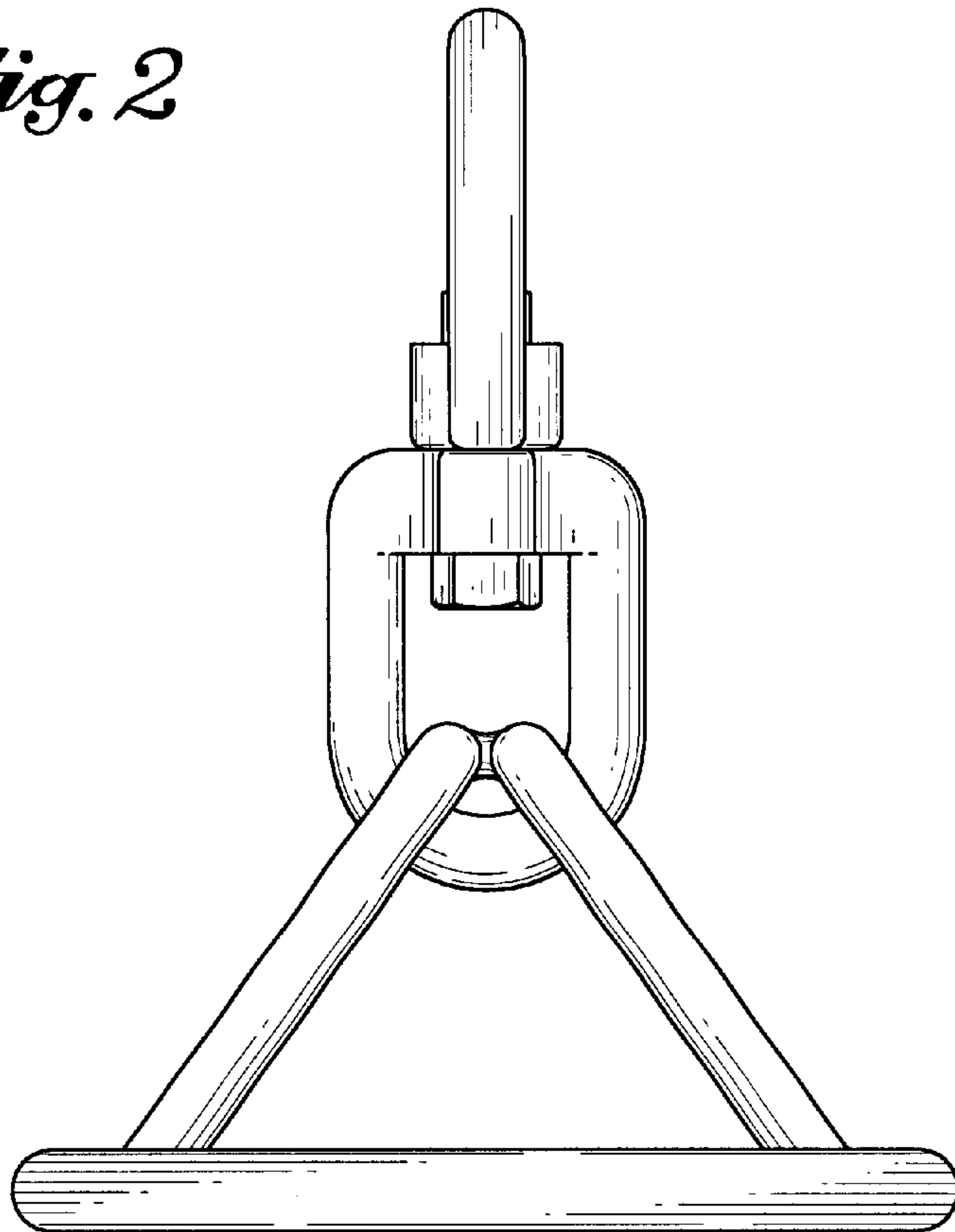
*Fig. 1*



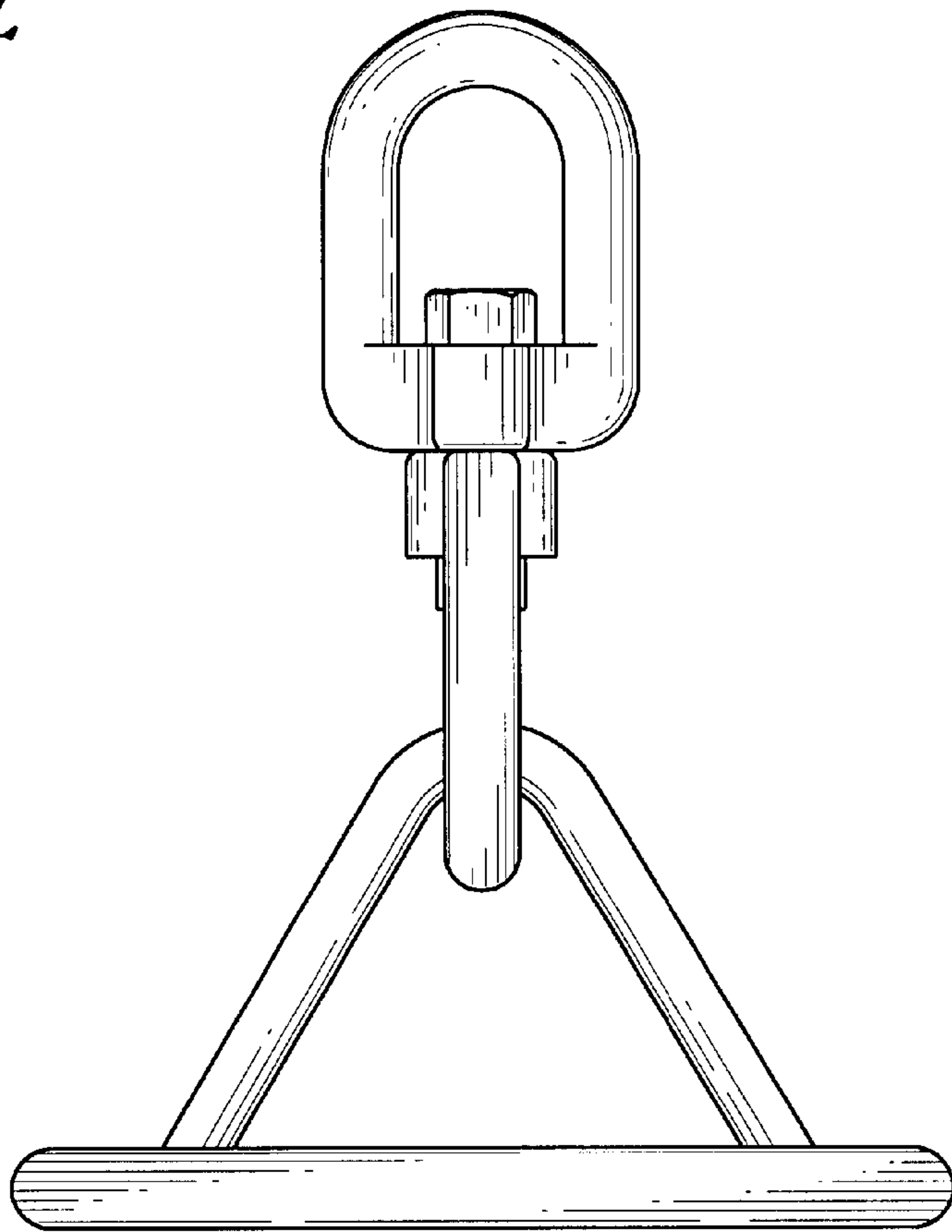
*Fig. 3*



*Fig. 2*



*Fig. 4*



*Fig. 5*

