



US00D445016S

(12) **United States Design Patent**
Dewald et al.

(10) **Patent No.:** **US D445,016 S**

(45) **Date of Patent:** **** Jul. 17, 2001**

(54) **PULL**

(75) Inventors: **Kevin Dewald**, Spring Lake, MI (US);
Carl Hedrick, Kernersville, NC (US)

(73) Assignee: **Belwith International, Ltd.**,
Grandville, MI (US)

(**) Term: **14 Years**

(21) Appl. No.: **29/103,332**

(22) Filed: **Apr. 13, 1999**

(51) **LOC (7) Cl.** **08-06**

(52) **U.S. Cl.** **D8/307; D8/310**

(58) **Field of Search** D8/300-302, 305-307,
D8/308-320; 16/110.1, 412, 414-9, 444,
443, 441, 445

(56) **References Cited**

U.S. PATENT DOCUMENTS

- D. 194,661 * 2/1963 Aleks .
- D. 197,957 * 4/1964 Heyer .
- D. 205,611 * 8/1966 Bottom .
- D. 206,521 * 12/1966 Bottom .
- D. 387,265 * 12/1997 Mattson et al. D8/316

- D. 411,795 * 7/1999 O'Neil D8/307
- D. 413,248 * 8/1999 O'Neil D8/317

OTHER PUBLICATIONS

J. C. DeJong, Cat. 704; p. B-5; Knob 428.*
Phylrich Cat. 61; p. 42-G; Knob 102/379, ©1965.*
Superior Brass brochure; p. 2, pull 4360.*

* cited by examiner

Primary Examiner—B. J. Bullock

(74) *Attorney, Agent, or Firm*—Rader, Fishman & Grauer
PLLC

(57) **CLAIM**

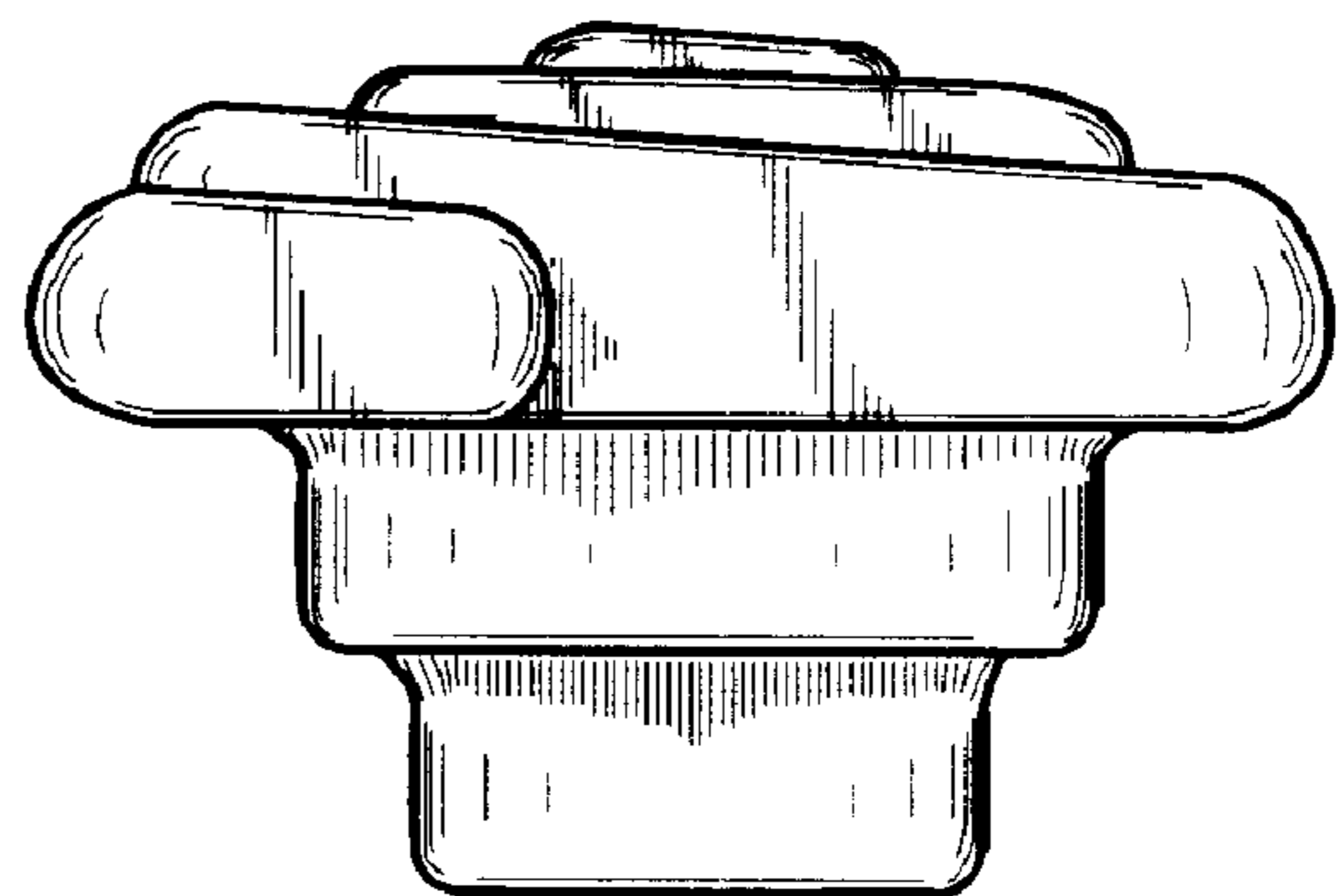
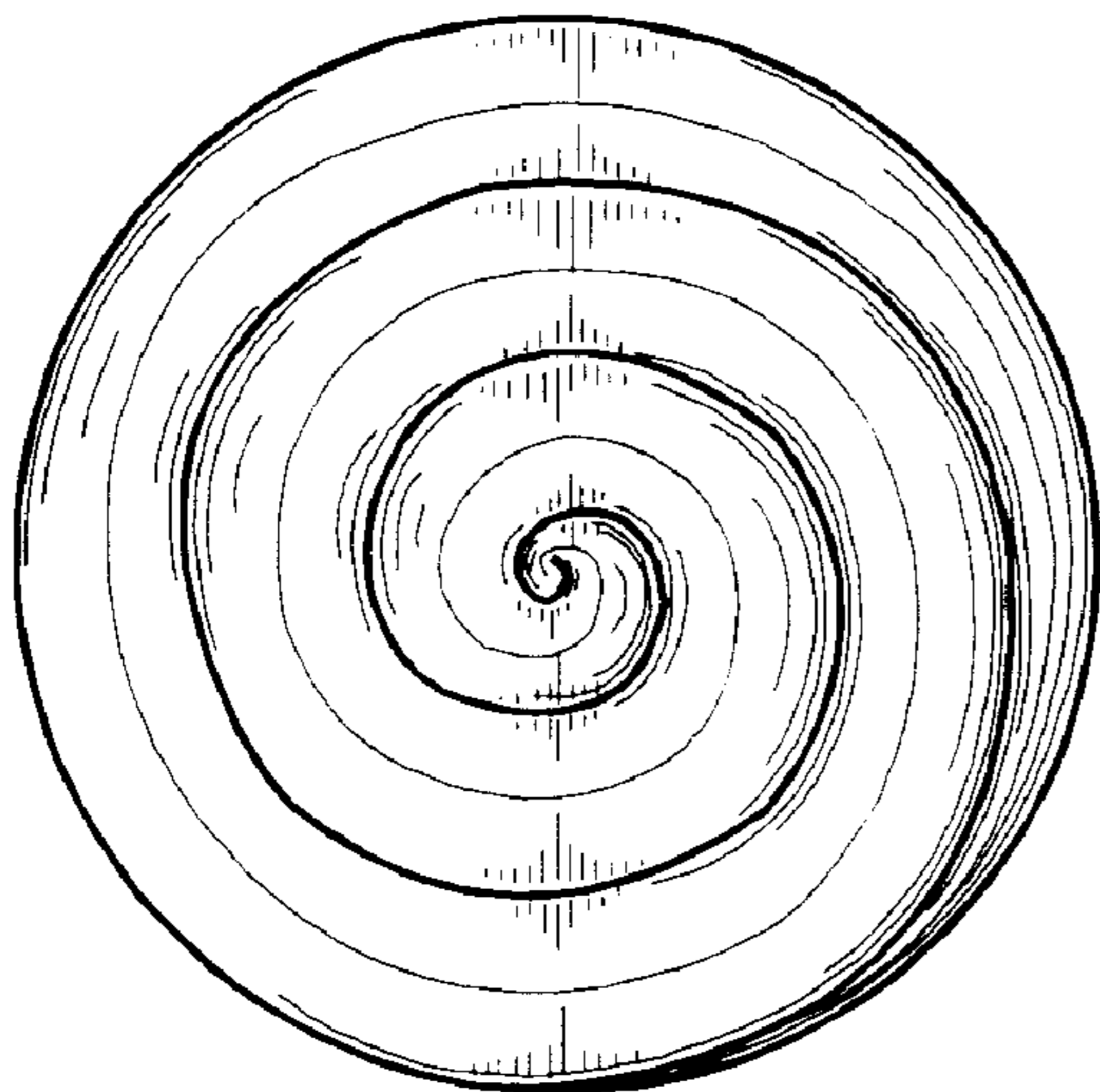
The ornamental design for a pull, as shown and described.

DESCRIPTION

FIG. 1 is a front elevational view of the pull of the present invention; and,
FIG. 2 is a right side-elevational view of the pull of the present invention.

The surfaces or portions of the pull not shown in the drawings or described in the specification form no part of the claimed design.

1 Claim, 1 Drawing Sheet



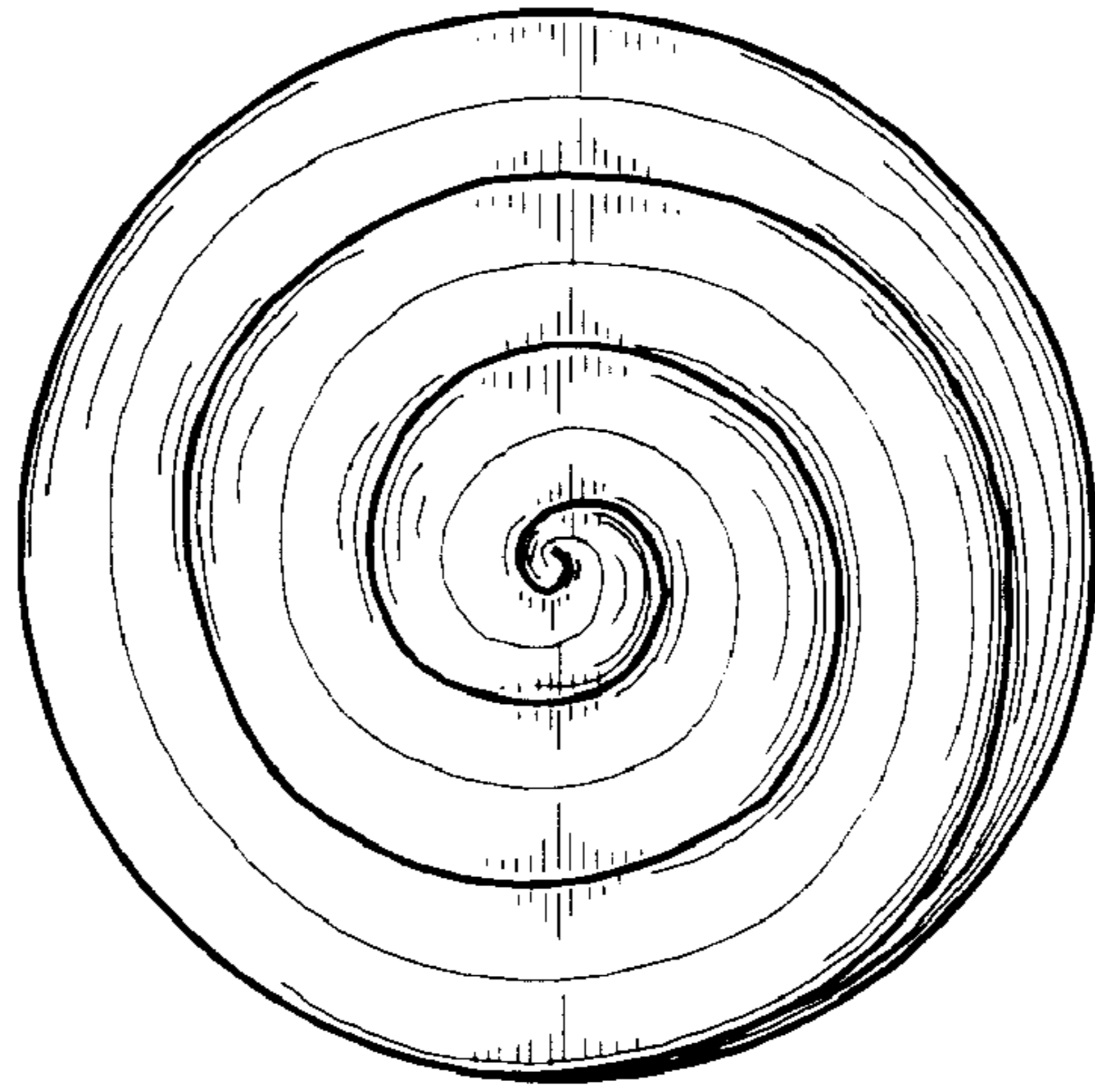


Fig. 1

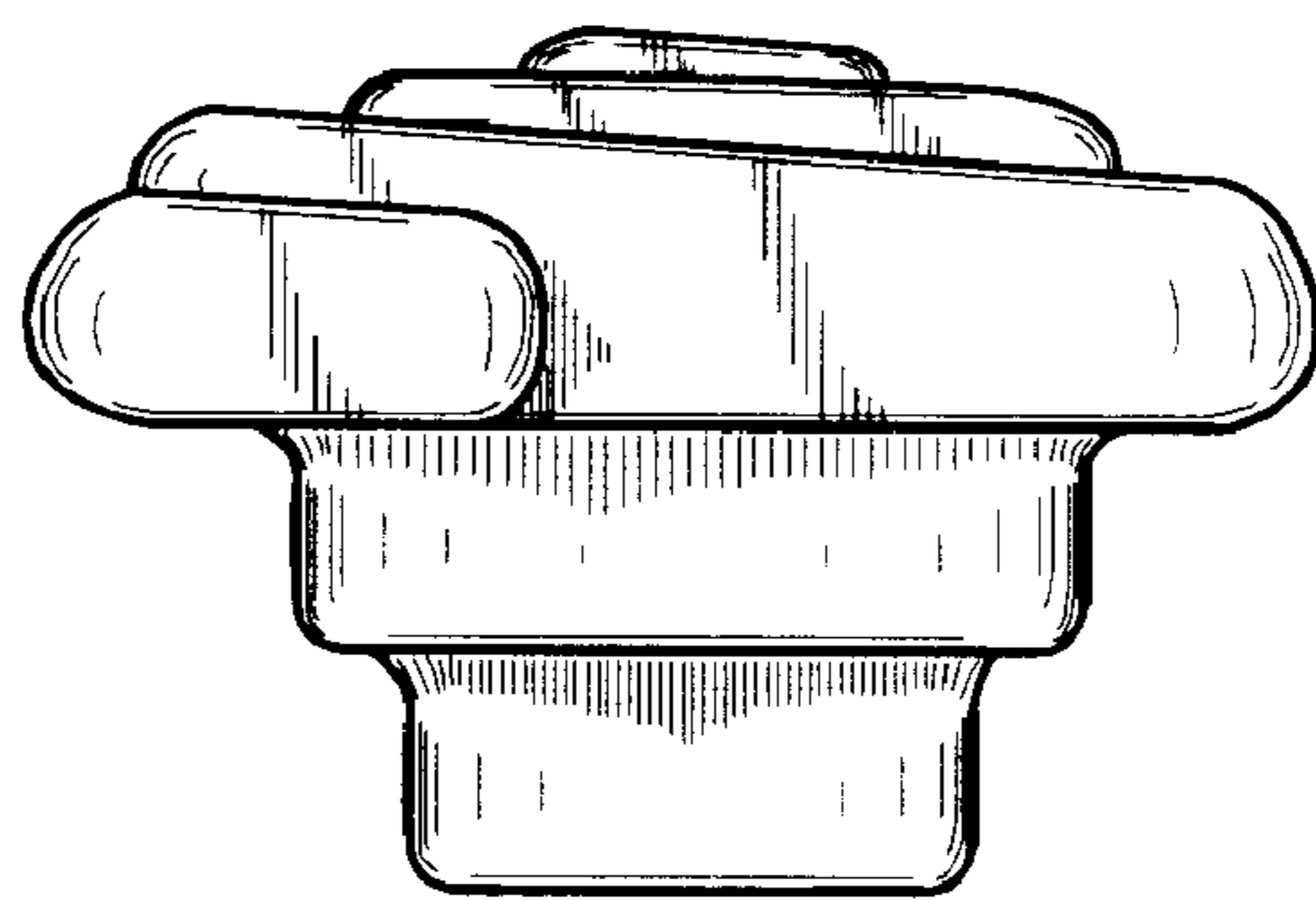


Fig. 2