



US00D445013S

(12) **United States Design Patent**
Etter et al.

(10) **Patent No.:** **US D445,013 S**

(45) **Date of Patent:** **** Jul. 17, 2001**

(54) **BATTERY POWERED CIRCULAR SAW**

(75) Inventors: **Mark A. Etter; Thomas Arnold Mooty**, both of Jackson, TN (US)

(73) Assignee: **Porter-Cable Corporation**, Jackson, TN (US)

(**) Term: **14 Years**

(21) Appl. No.: **29/123,806**

(22) Filed: **May 25, 2000**

Related U.S. Application Data

(63) Continuation-in-part of application No. 29/105,750, filed on Jun. 1, 1999, now abandoned.

(51) **LOC (7) Cl.** **08-03**

(52) **U.S. Cl.** **D8/66**

(58) **Field of Search** D8/61-70; 81/57.11, 81/54, 57.42; 30/376, 377, 387-391; 83/574, 663, 523, 666, 863, 701, 544, 545; 310/40 R, 50

(56) **References Cited**

U.S. PATENT DOCUMENTS

- D. 177,767 * 5/1956 Seeger D8/66
- D. 180,181 4/1957 Ernest .
- D. 259,235 5/1981 Dibbern, Jr. et al. .
- D. 281,663 12/1985 Tsuru et al. .
- D. 320,729 10/1991 Zurwelle .
- D. 326,399 5/1992 Fushiya et al. .
- D. 329,363 9/1992 Sasaki et al. .
- D. 408,248 * 4/1999 Zurwelle et al. D8/66
- D. 411,425 6/1999 Sugimoto et al. .
- D. 416,181 11/1999 Chung .

(List continued on next page.)

OTHER PUBLICATIONS

Black And Decker catalog, p. 70, Heavy Duty Circular Saws, items 2694, 2684, and 2683.*

DeWalt® 1997 Catalog, front cover and pp. 14, 18, 23 and 75.

Tools on Sale™ 1997 Catalog, front cover and pp. 8, 9, 12 and 20.

Primary Examiner—Jeffrey Asch

(74) *Attorney, Agent, or Firm*—Merchant & Gould P.C.

(57) **CLAIM**

The ornamental design for a battery powered circular saw, as shown and described.

DESCRIPTION

FIG. 1 is a front and top right perspective view of a battery powered circular saw having a rechargeable battery with a first voltage capacity;

FIG. 2 is a front view of the battery powered circular saw shown in FIG. 1.

FIG. 3 is a rear view of the battery powered circular saw shown in FIG. 1.

FIG. 4 is a right side view of the battery powered circular saw shown in FIG. 1.

FIG. 5 is a left side view of the battery powered circular saw shown in FIG. 1.

FIG. 6 is a top view of the battery powered circular saw shown in FIG. 1.

FIG. 7 is a bottom view of the battery powered circular saw shown in FIG. 1.

FIG. 8 is a front and top right perspective view of a battery powered circular saw having a rechargeable battery with a second voltage capacity;

FIG. 9 is a right side view of the battery powered circular saw shown in FIG. 8.

FIG. 10 is a left side view of the battery powered circular saw shown in FIG. 8.

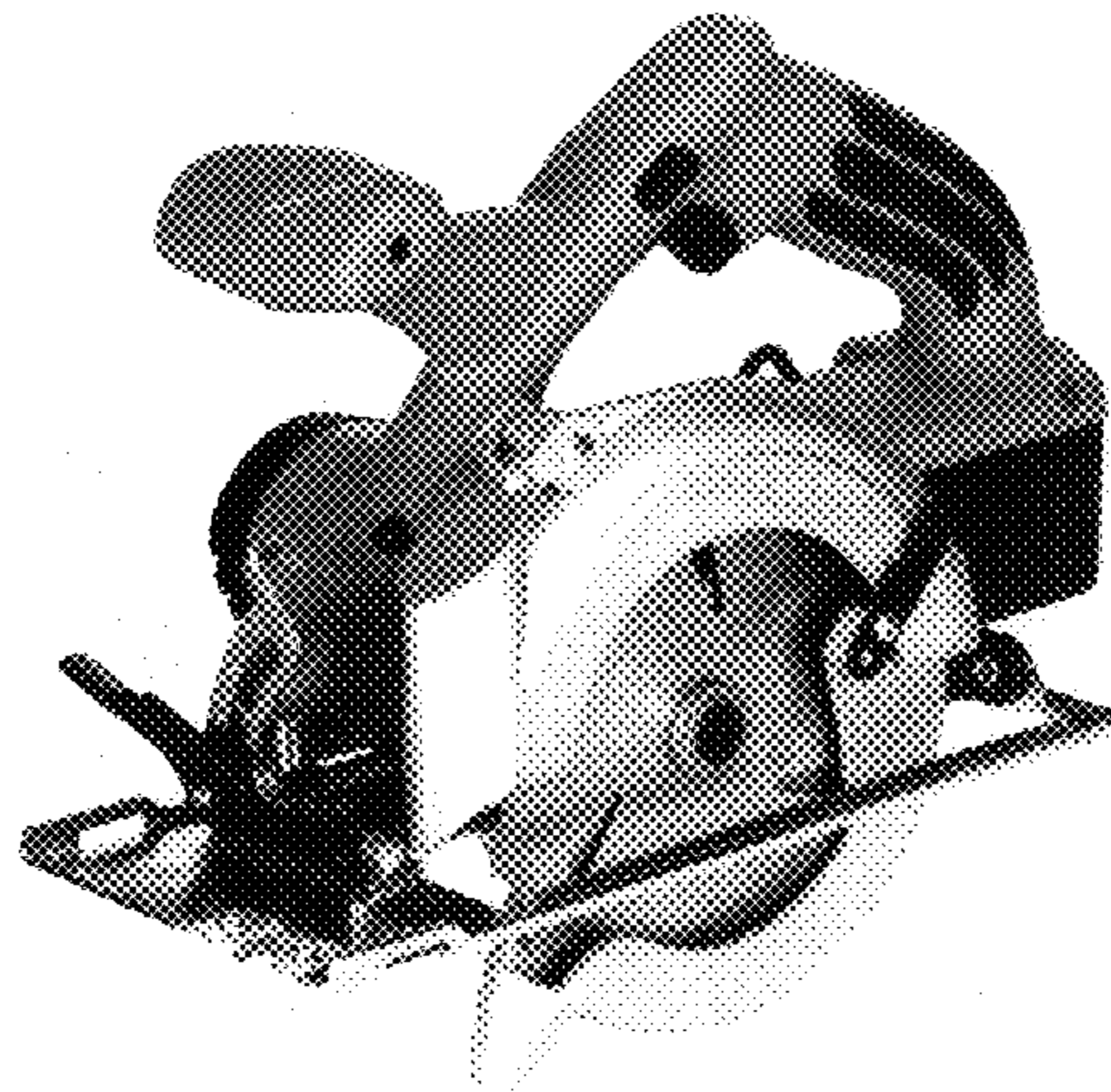
FIG. 11 is a front view of the battery powered circular saw shown in FIG. 8.

FIG. 12 is a back view of the battery powered circular saw shown in FIG. 8.

FIG. 13 is a top view of the battery powered circular saw shown in FIG. 8; and,

FIG. 14 is a bottom view of the battery powered circular saw shown in FIG. 8.

1 Claim, 14 Drawing Sheets



US D445,013 S

Page 2

U.S. PATENT DOCUMENTS

D. 421,702	*	3/2000	Sakai et al.	D8/66	4,856,394	*	8/1989	Clowers	30/376 X
D. 428,318	*	7/2000	Gallagher et al.	D8/66	5,375,495	*	12/1994	Bosten et al.	83/520
D. 428,319	*	7/2000	Gallagher	D8/66	5,758,425		6/1998	Gallagher et al. .	
D. 433,300	*	11/2000	Buck	D8/66	5,850,698	*	12/1998	Hurn et al.	30/391
4,397,089	*	8/1983	Pease	30/373	5,911,482	*	6/1999	Campbell et al.	30/390
4,516,324	*	5/1985	Heininger, Jr. et al.	30/377					

* cited by examiner

FIG. 1

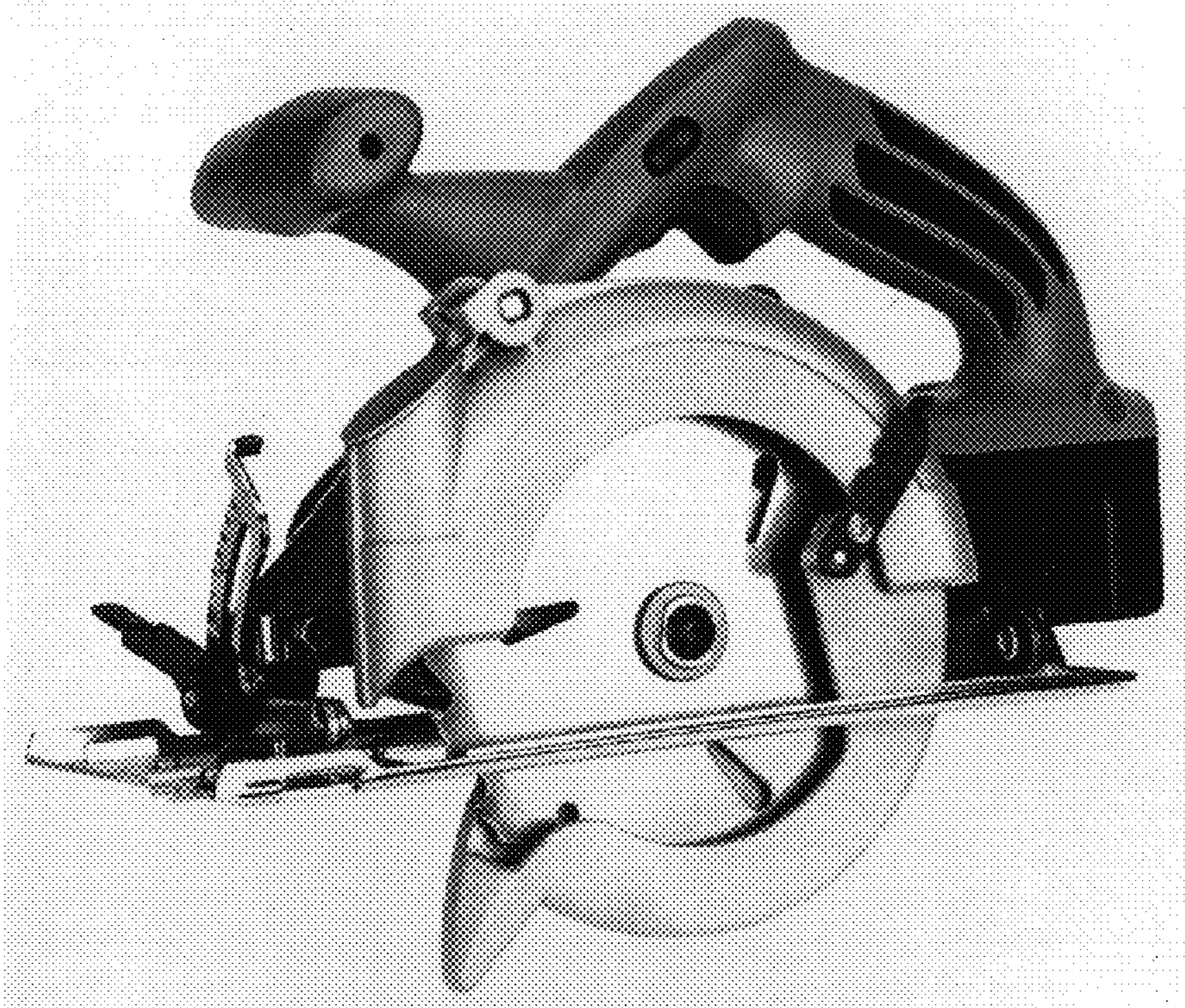


FIG. 2

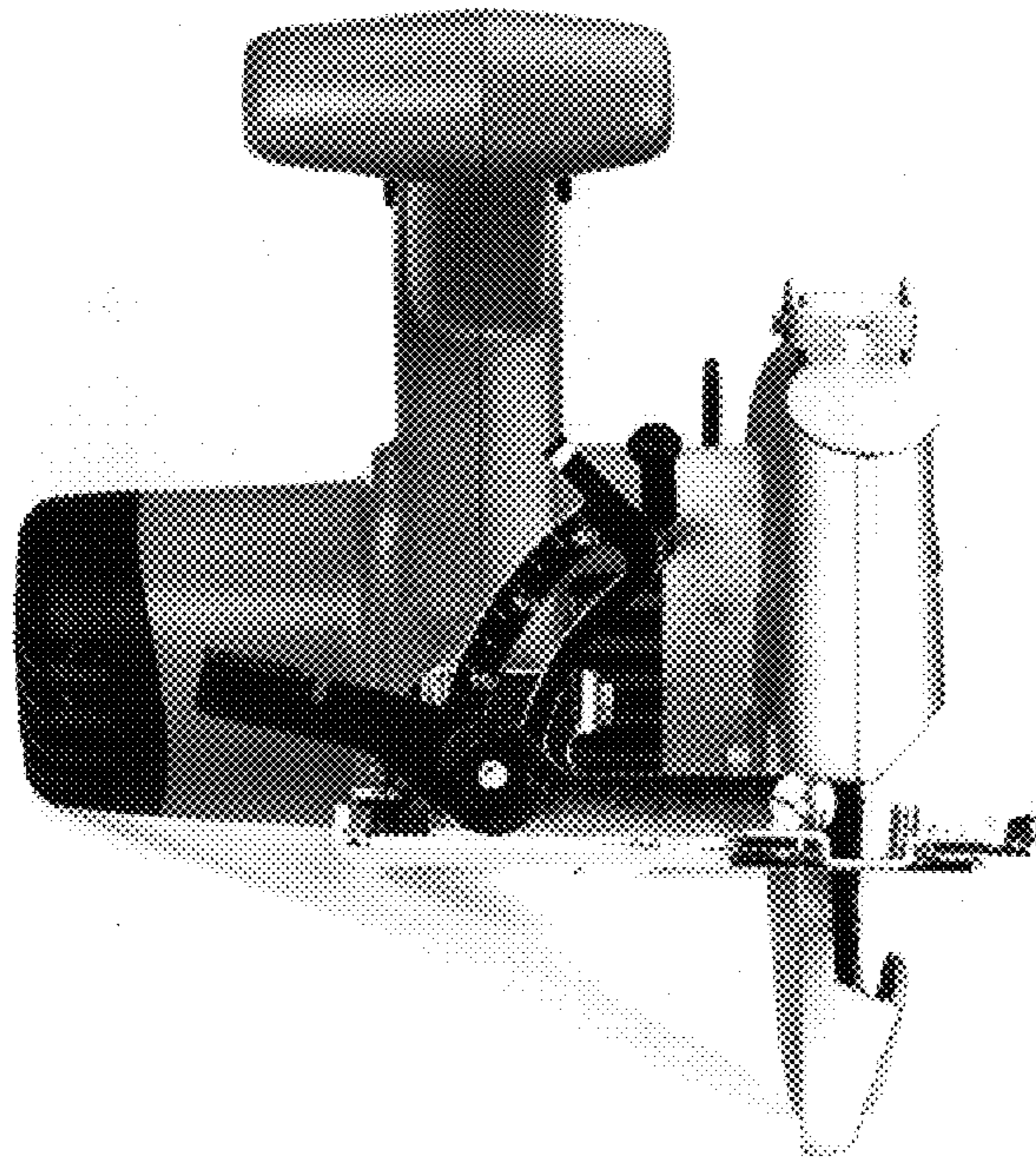


FIG. 3

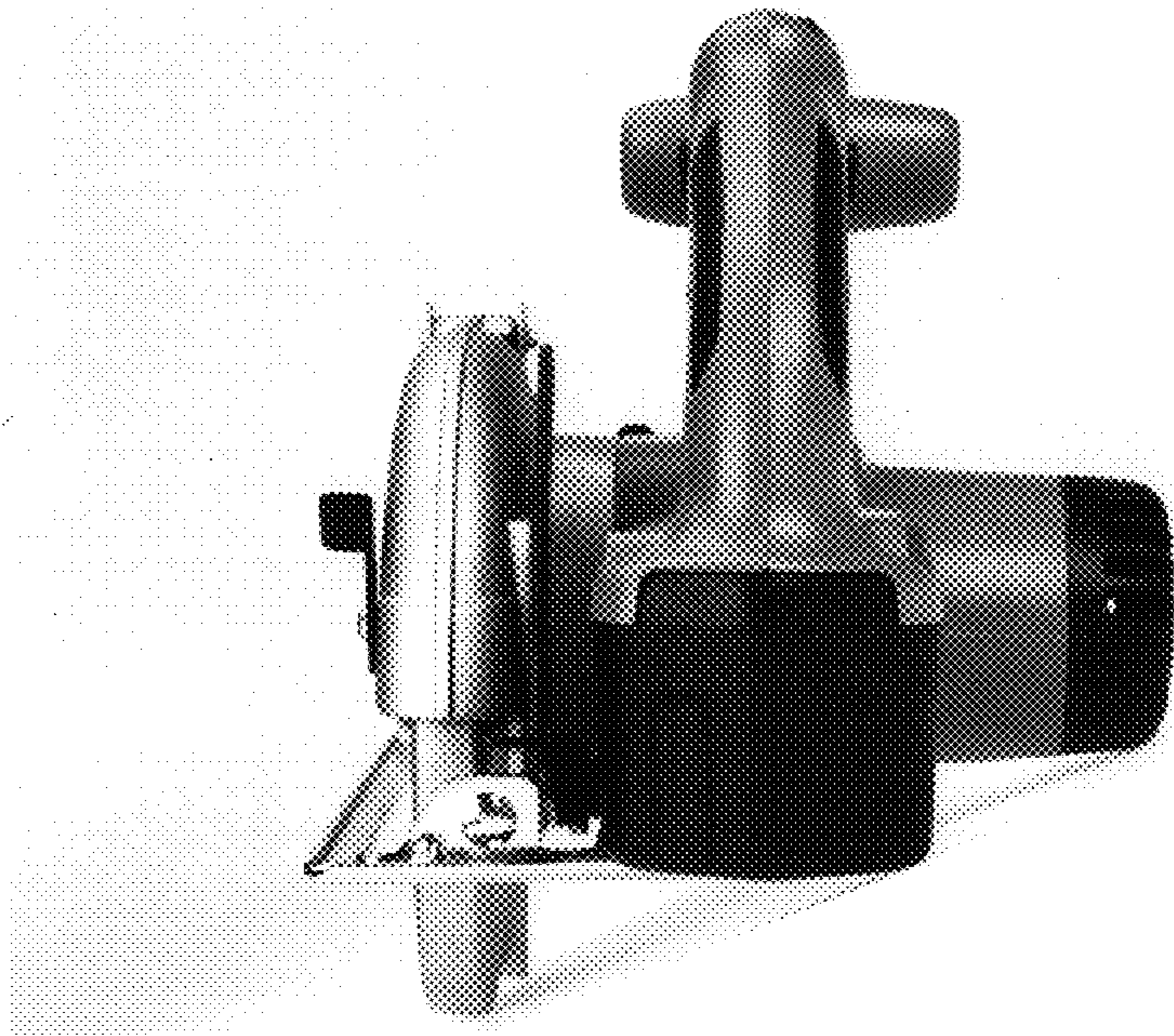


FIG. 4

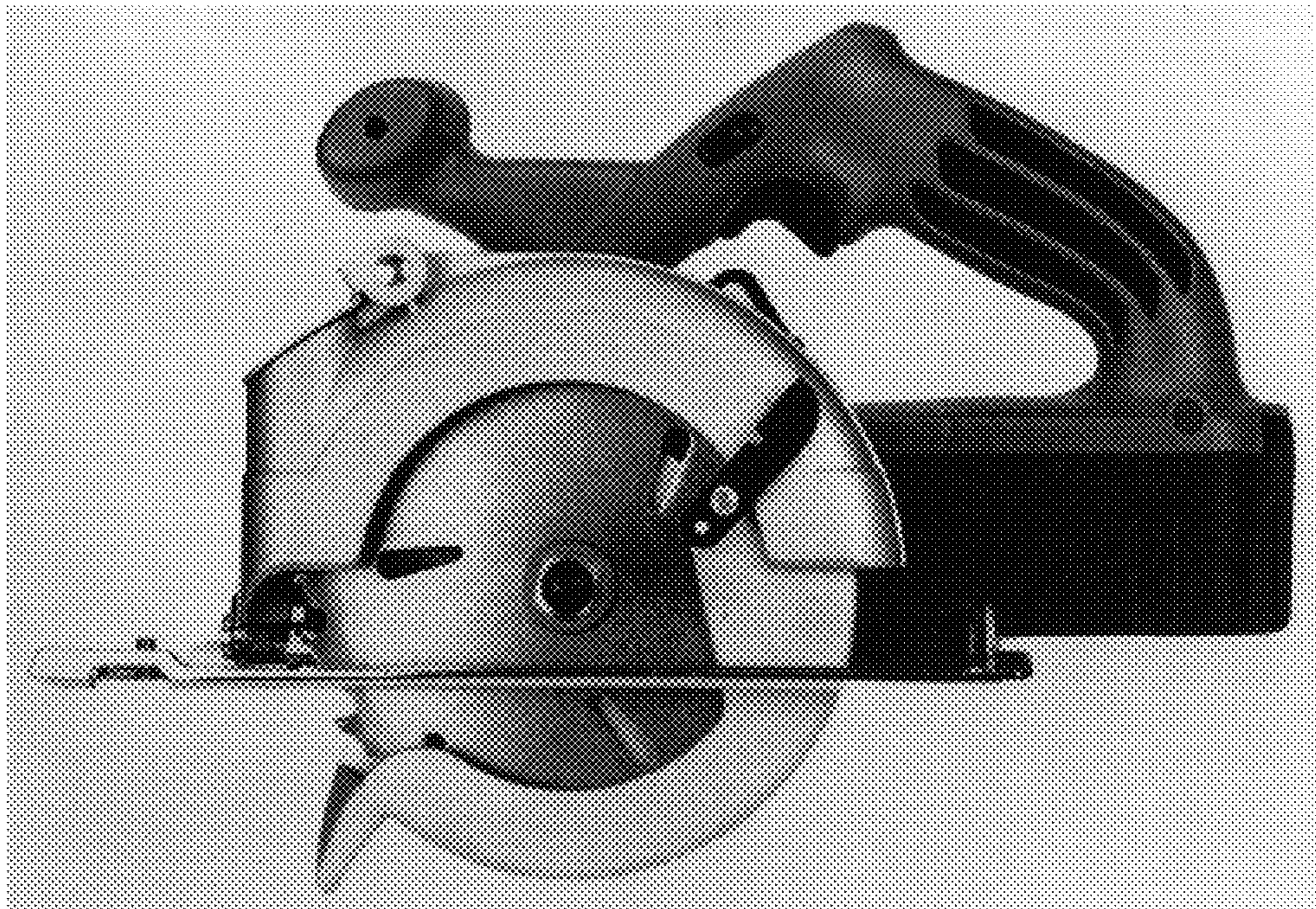


FIG. 5

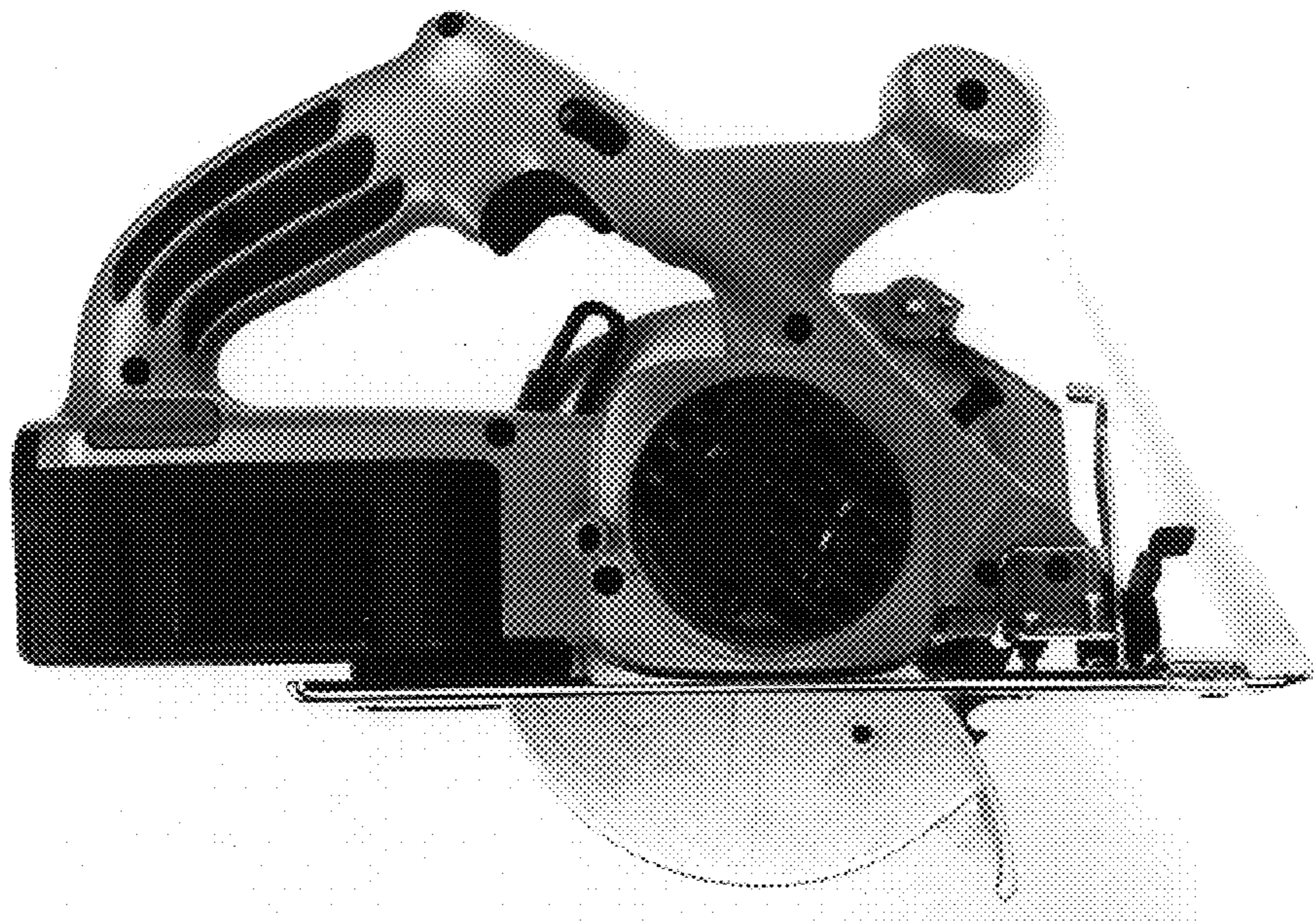


FIG. 6

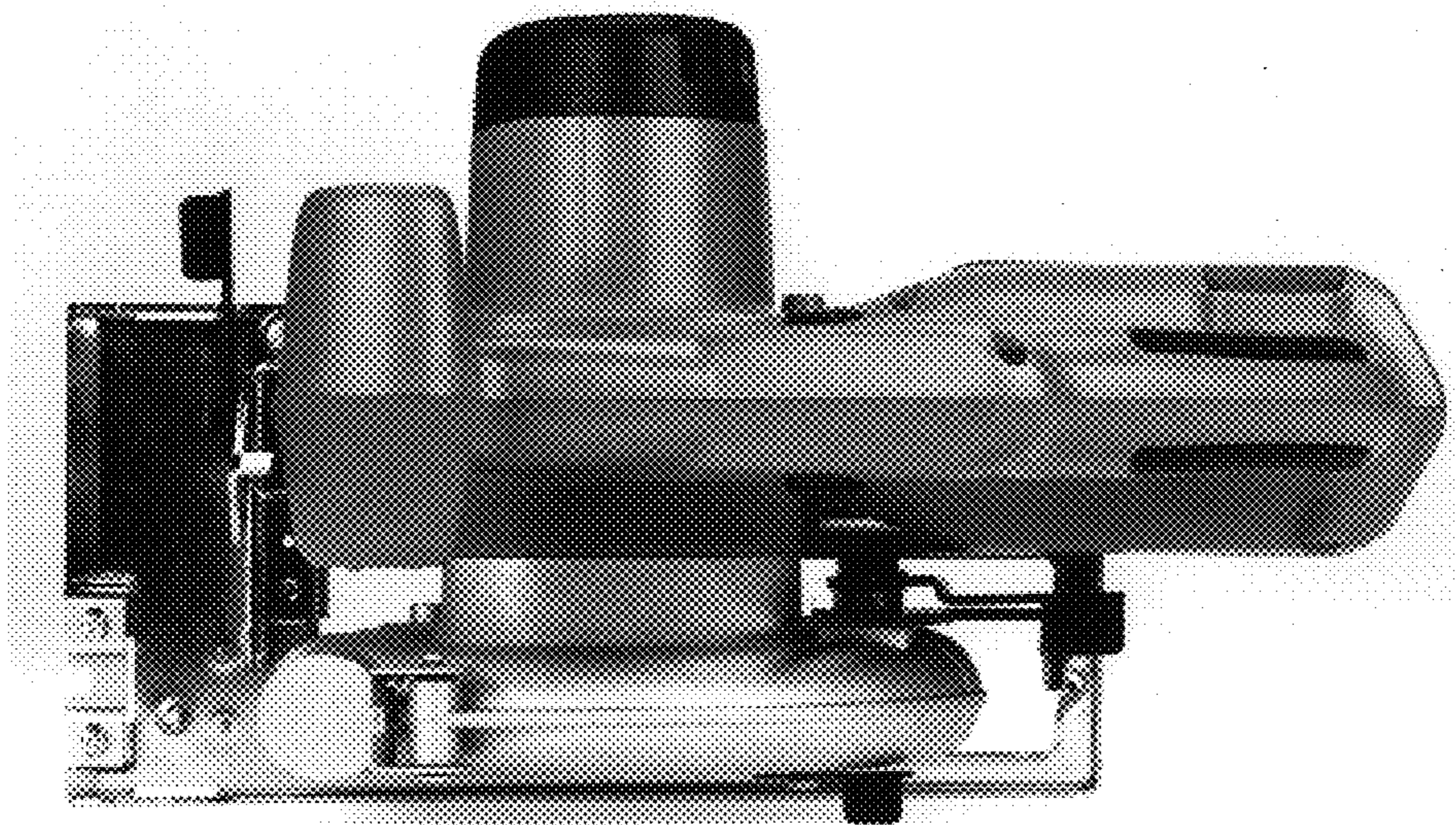


FIG. 7

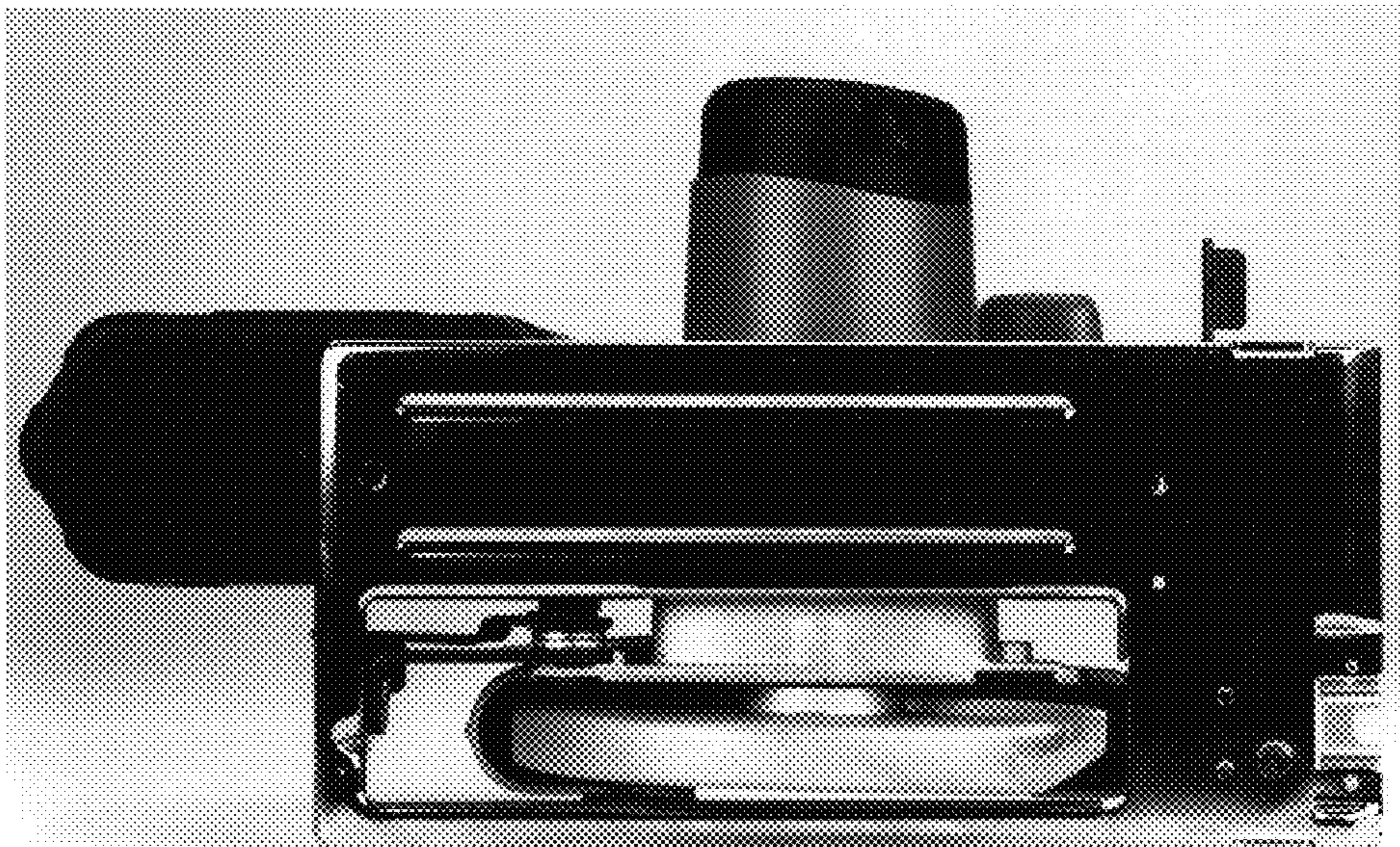


FIG. 8

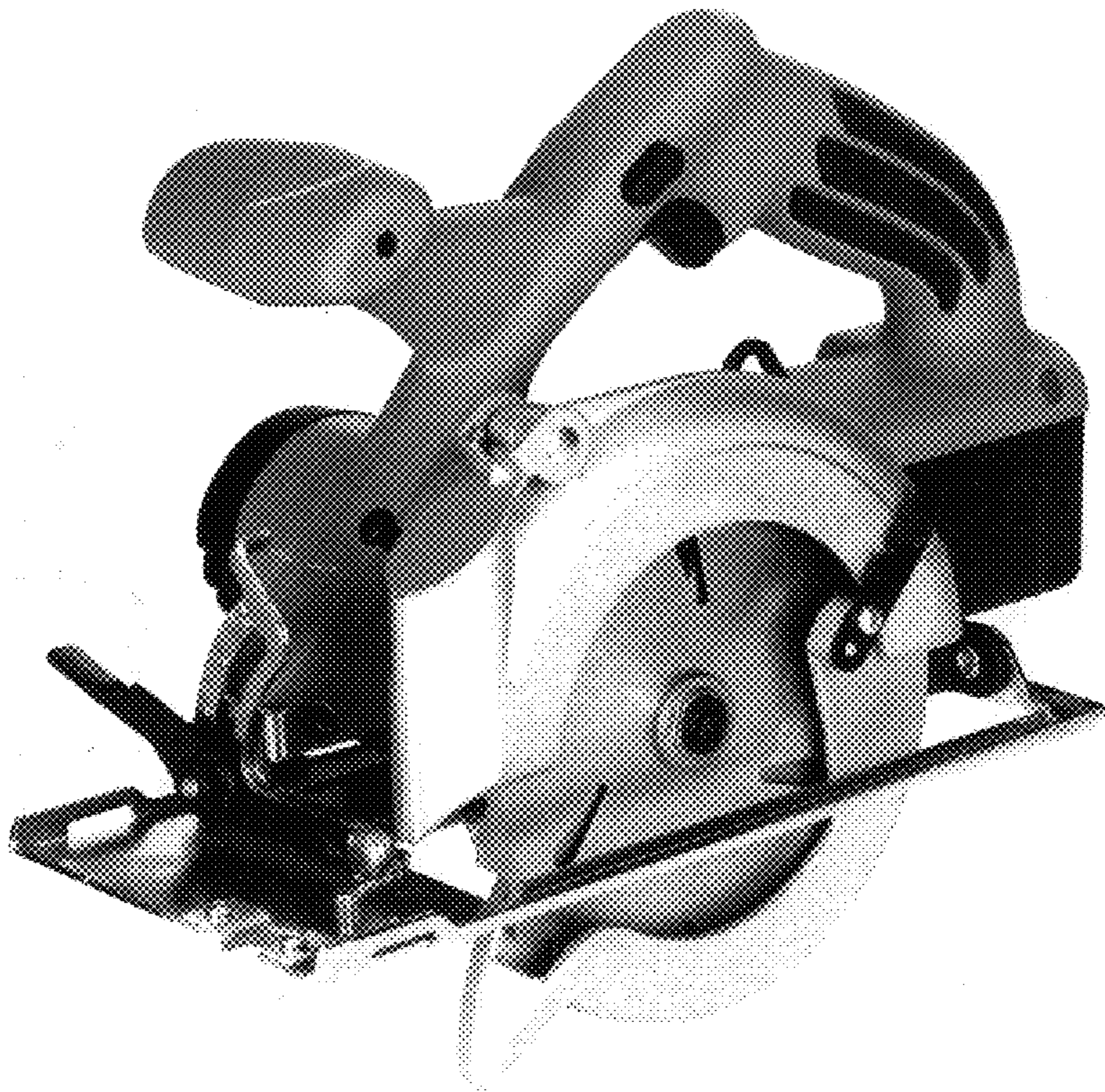


FIG. 9

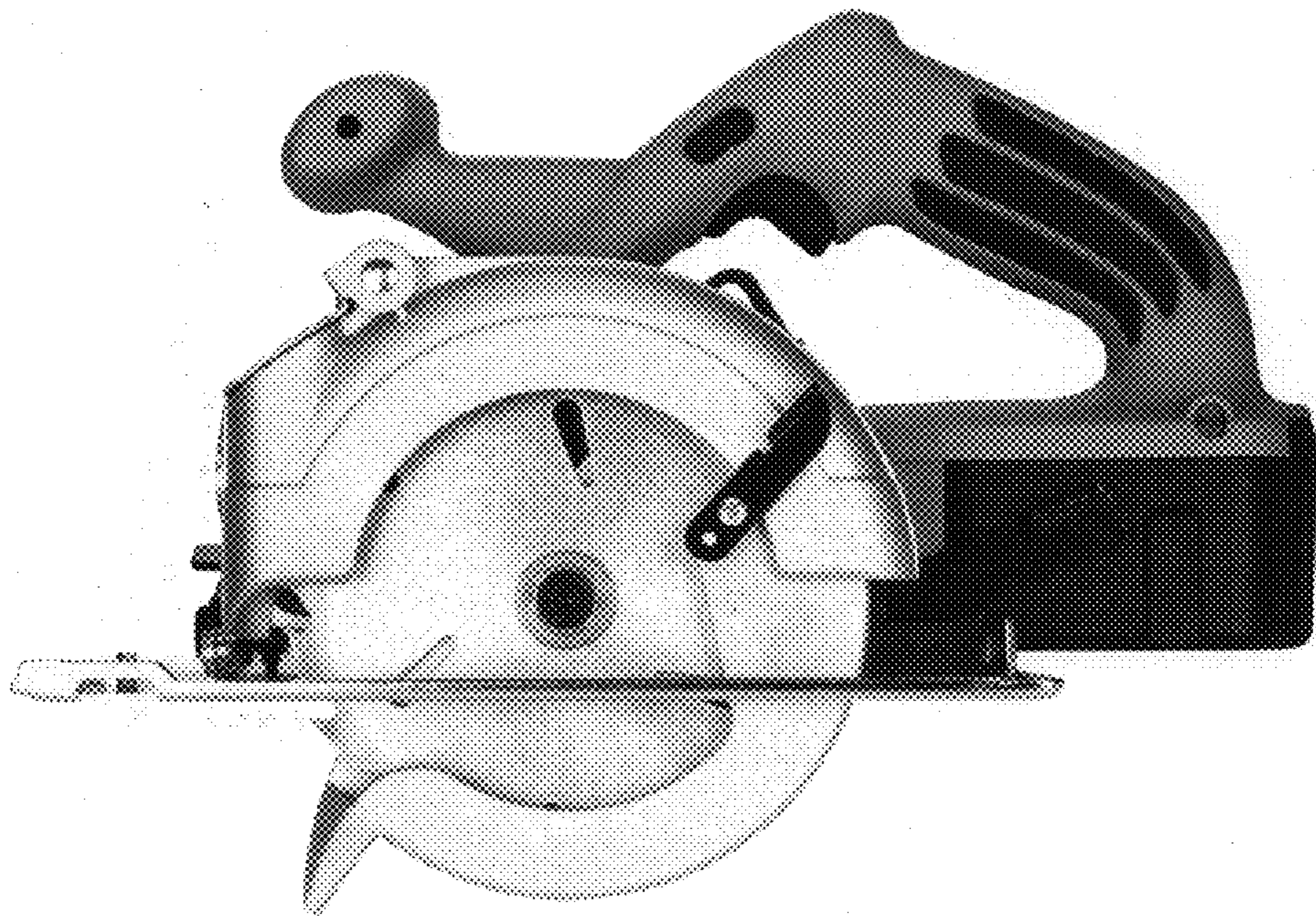


FIG. 10

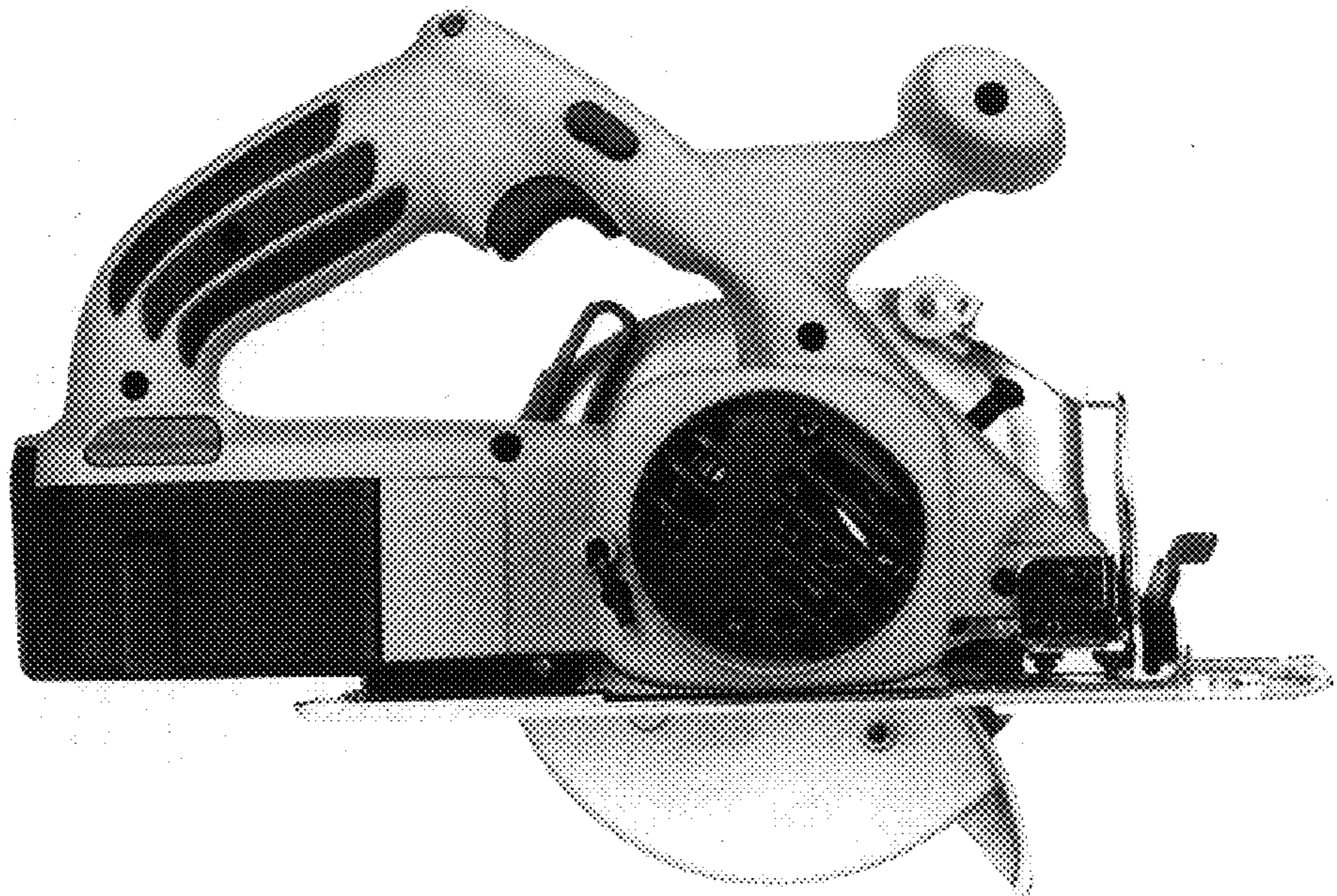


FIG. 11

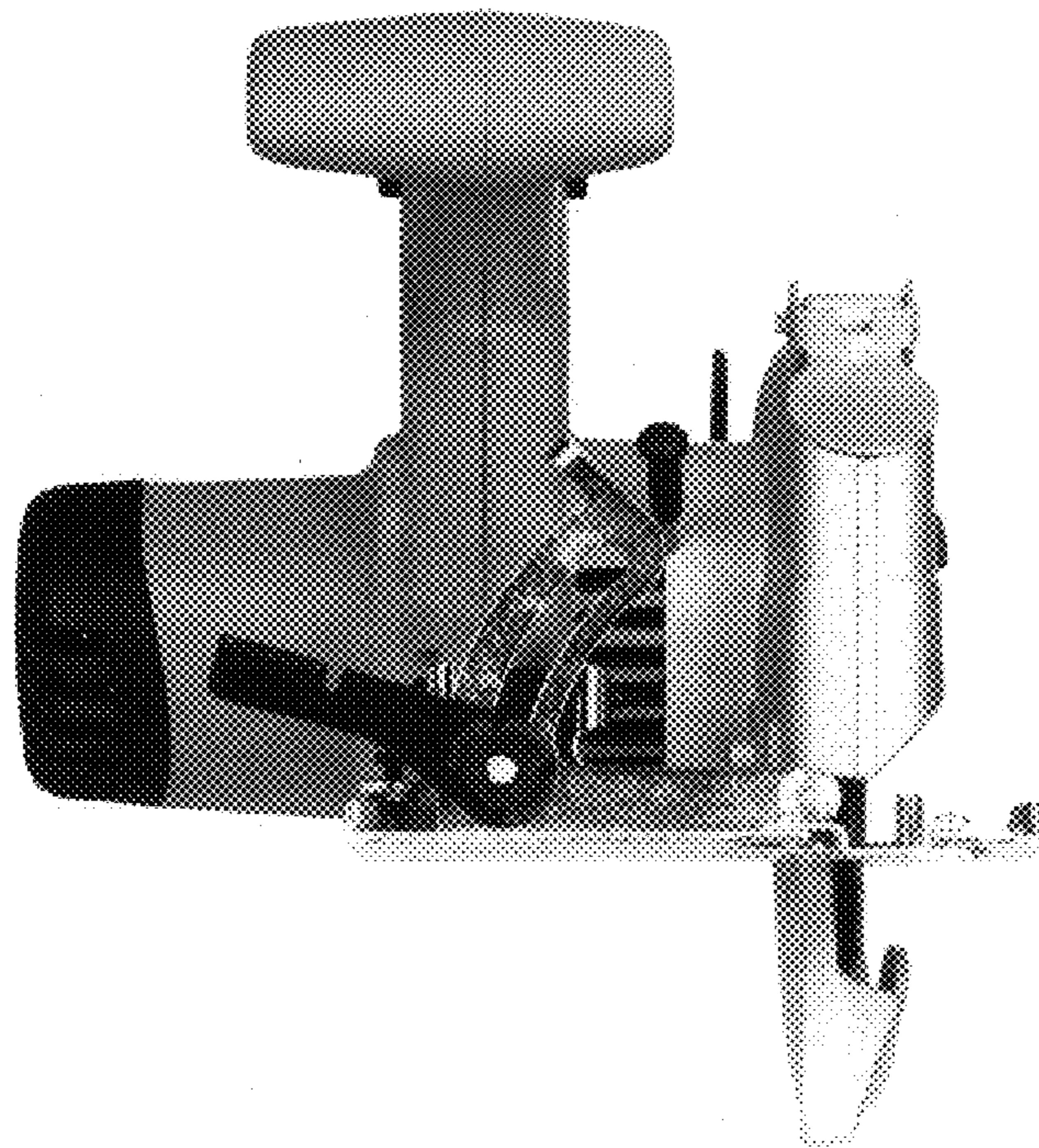


FIG. 12

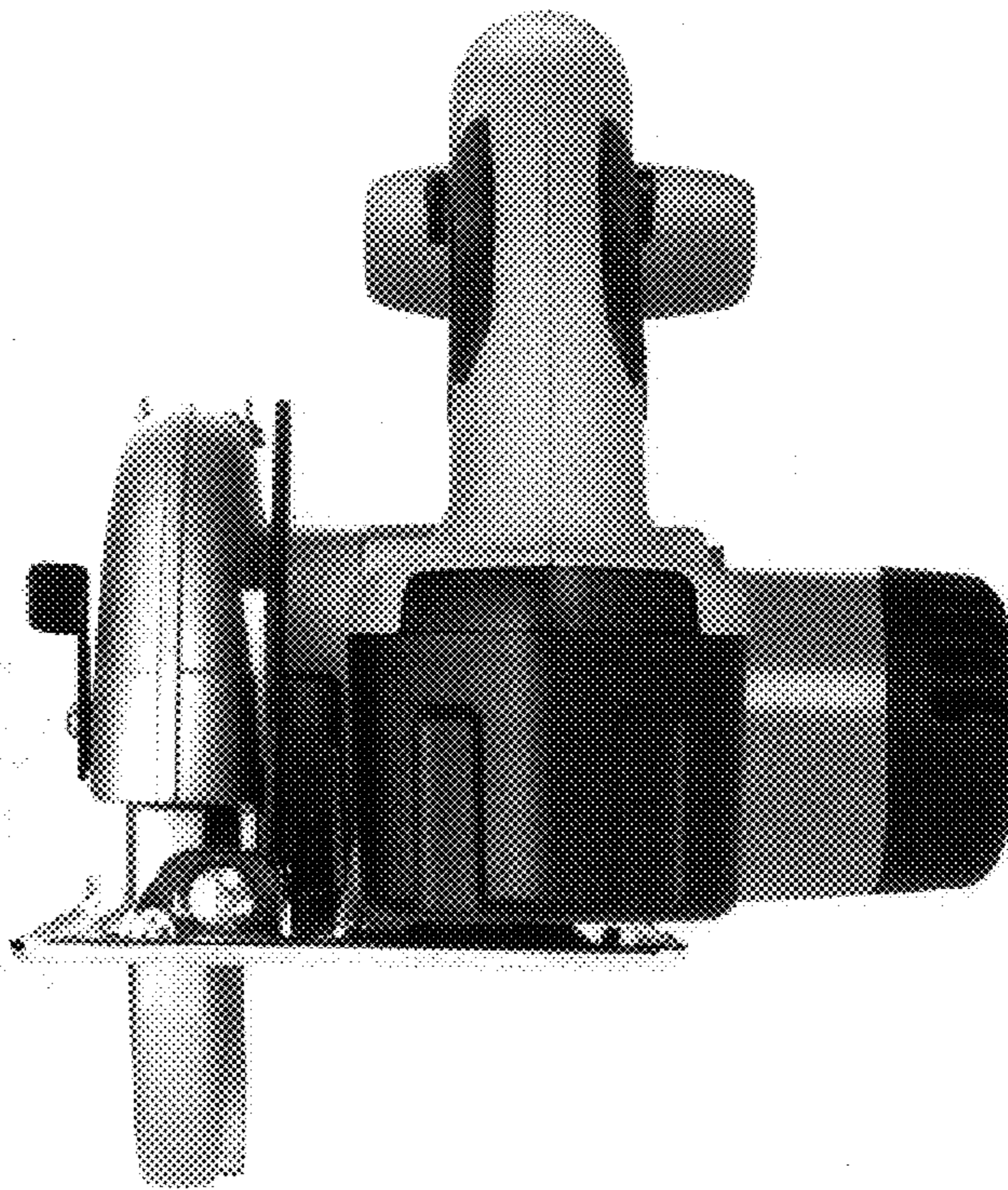


FIG. 13

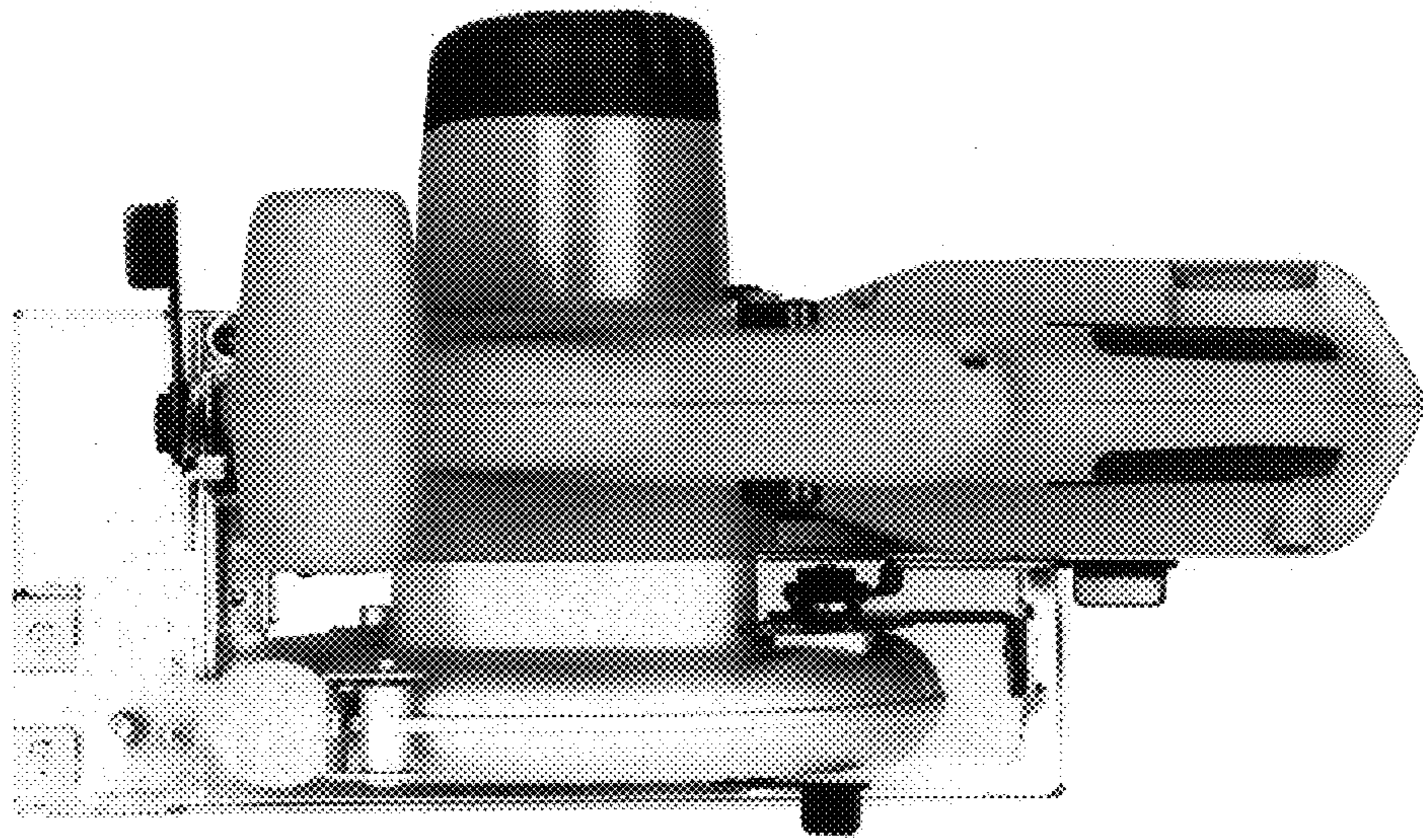


FIG. 14

