



US00D445012S

(12) **United States Design Patent**  
**Suzuki et al.**

(10) **Patent No.:** **US D445,012 S**

(45) **Date of Patent:** **\*\* Jul. 17, 2001**

(54) **BLIND RIVET SETTING TOOL**

(75) Inventors: **Hiromasa Suzuki; Toyoshi Kato**, both of Toyohashi (JP)

(73) Assignee: **Emhart Inc.**, Newark, DE (US)

(\*\*) Term: **14 Years**

(21) Appl. No.: **29/133,037**

(22) Filed: **Nov. 22, 2000**

(30) **Foreign Application Priority Data**

Jun. 8, 2000 (JP) ..... 12-019200

(51) **LOC (7) Cl.** ..... **08-05**

(52) **U.S. Cl.** ..... **D8/61**

(58) **Field of Search** ..... D8/61-70, 49;  
81/57.11, 54, 57.42; 173/170, 2; 72/391.8,  
391.6, 391.4; 29/243.528, 243.526, 243.525,  
243.523, 243.521; 227/2, 60, 130

(56) **References Cited**

**U.S. PATENT DOCUMENTS**

D. 113,860	*	3/1939	Wolfe et al.	.....	D8/61
D. 226,471	*	3/1973	Conn	.....	D8/68
D. 333,076	*	2/1993	Fushiya et al.	.....	D8/61
D. 369,732	*	5/1996	Rosier	.....	D8/68
D. 369,733	*	5/1996	Rosier	.....	D8/68
D. 371,299	*	7/1996	Rosier	.....	D8/68
D. 423,896	*	5/2000	Steiner et al.	.....	D8/61

3,053,100	*	9/1962	Luhm	.....	74/55
4,821,555	*	4/1989	Kamata et al.	.....	72/391.8
5,136,873	*	8/1992	Hopkins et al.	.....	72/391.6
5,207,085	*	5/1993	Hopkins et al.	.....	72/391.6
5,357,666	*	10/1994	Dessouky et al.	.....	29/243.521

\* cited by examiner

*Primary Examiner*—Jeffrey Asch

(74) *Attorney, Agent, or Firm*—Edward D. Murphy

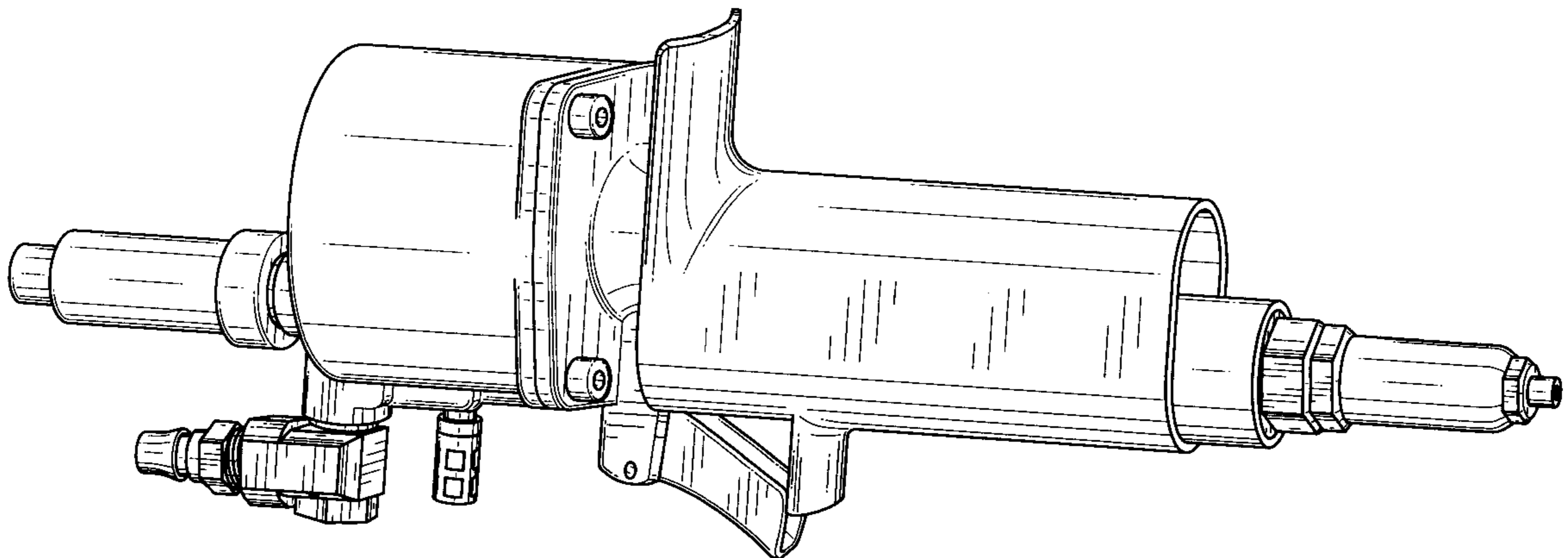
(57) **CLAIM**

The ornamental design for a blind rivet setting tool, as shown and described.

**DESCRIPTION**

FIG. 1 is a perspective view of a blind rivet setting tool of the present invention;  
 FIG. 2 is a left side elevational view of the blind rivet setting tool of the present invention;  
 FIG. 3 is a right side elevational view of the blind rivet setting tool of the present invention;  
 FIG. 4 is a bottom plan view of the blind rivet setting tool of the present invention;  
 FIG. 5 is a top plan view of the blind rivet setting tool of the present invention;  
 FIG. 6 is a front elevational view of the blind rivet setting tool of the present invention; and,  
 FIG. 7 is a rear elevational view of the blind rivet setting tool of the present invention.

**1 Claim, 6 Drawing Sheets**



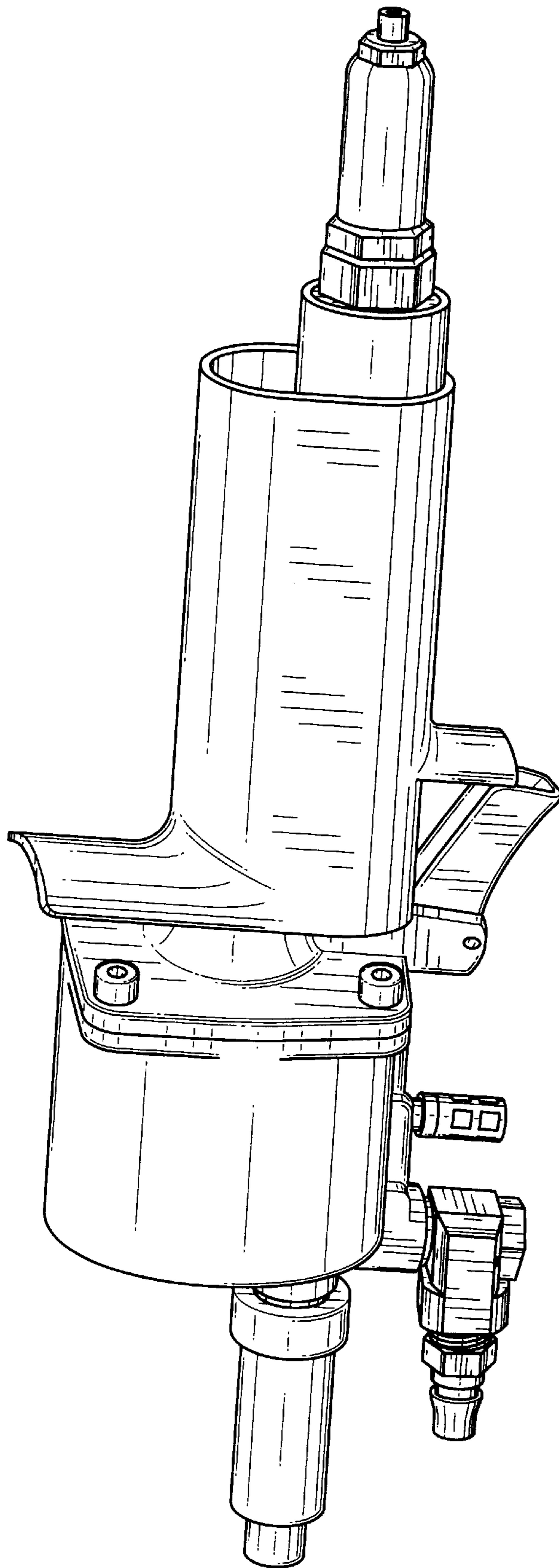


FIG. 1

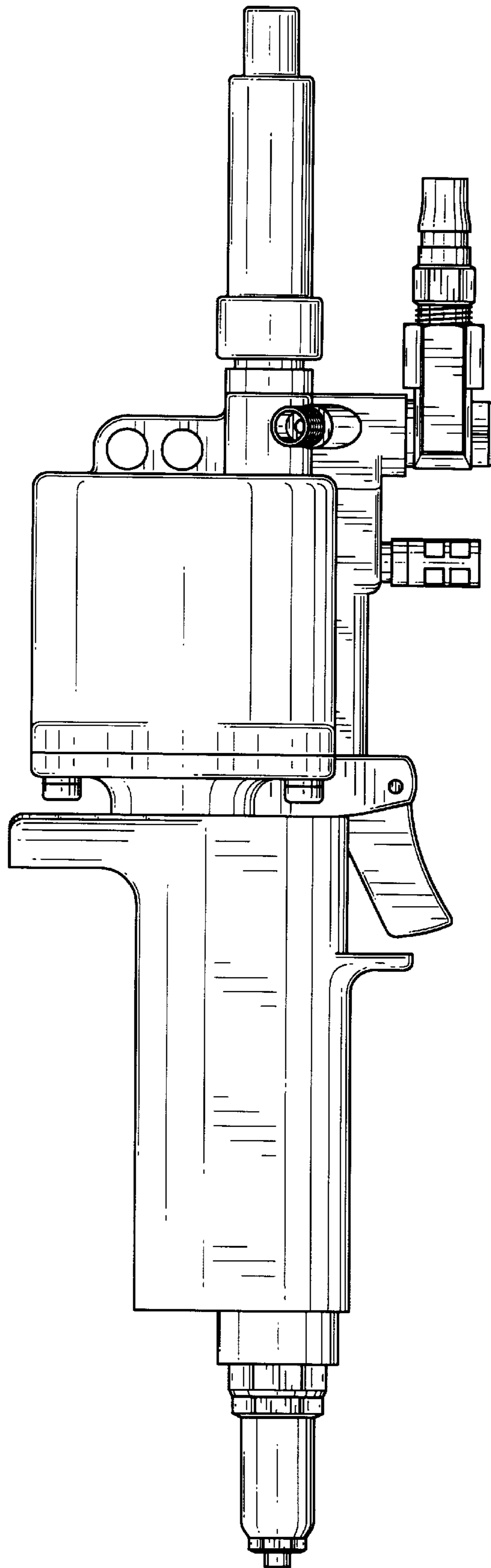


FIG. 2

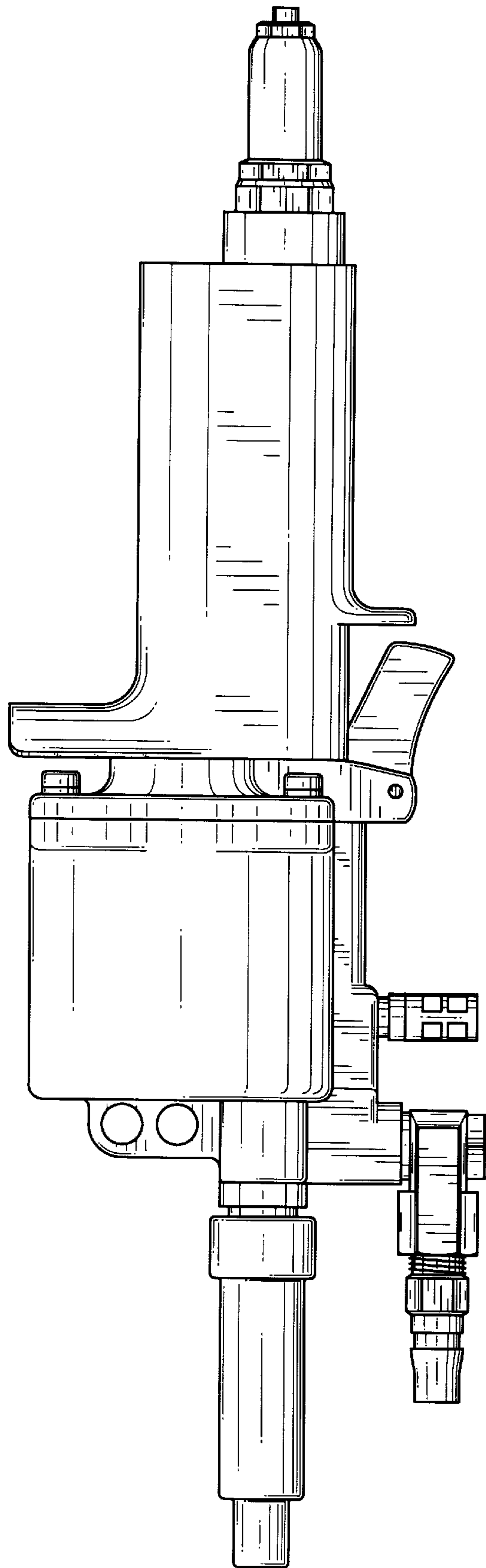


FIG. 3

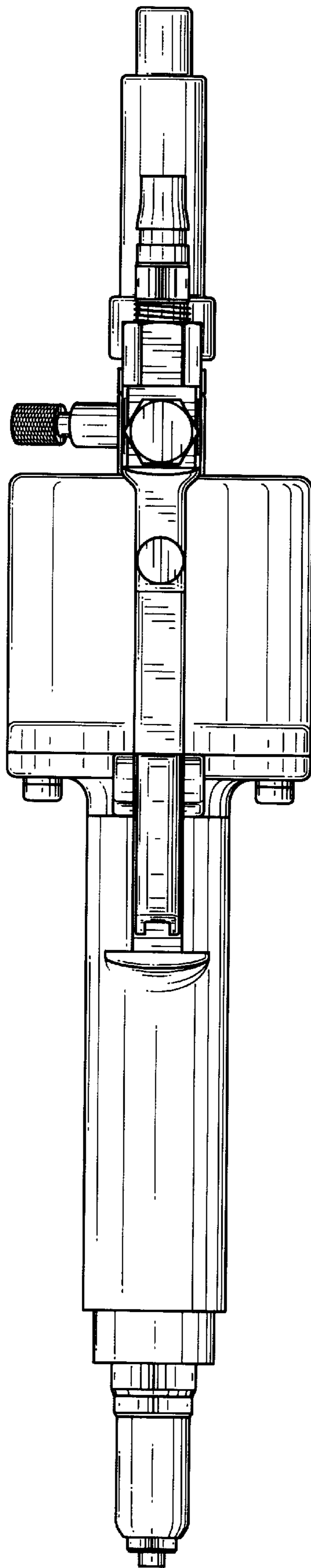


FIG. 4

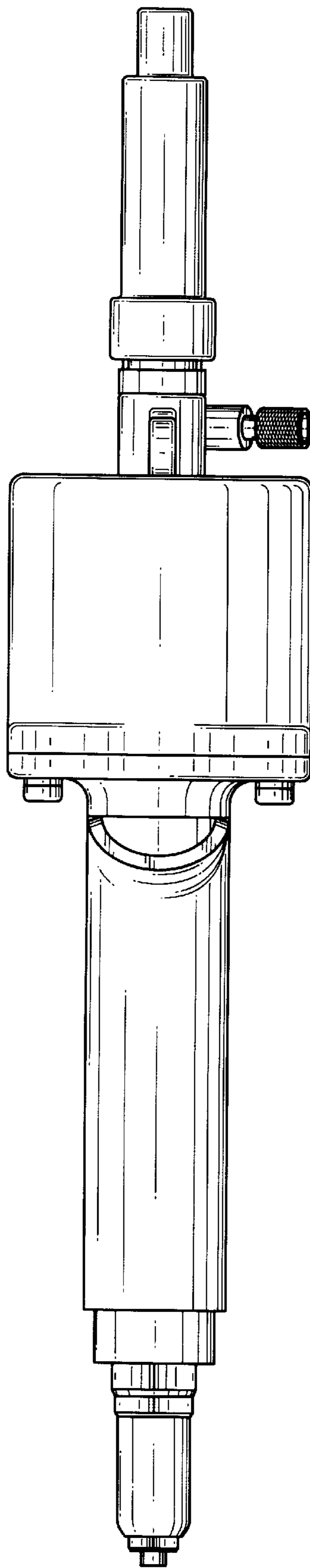


FIG. 5

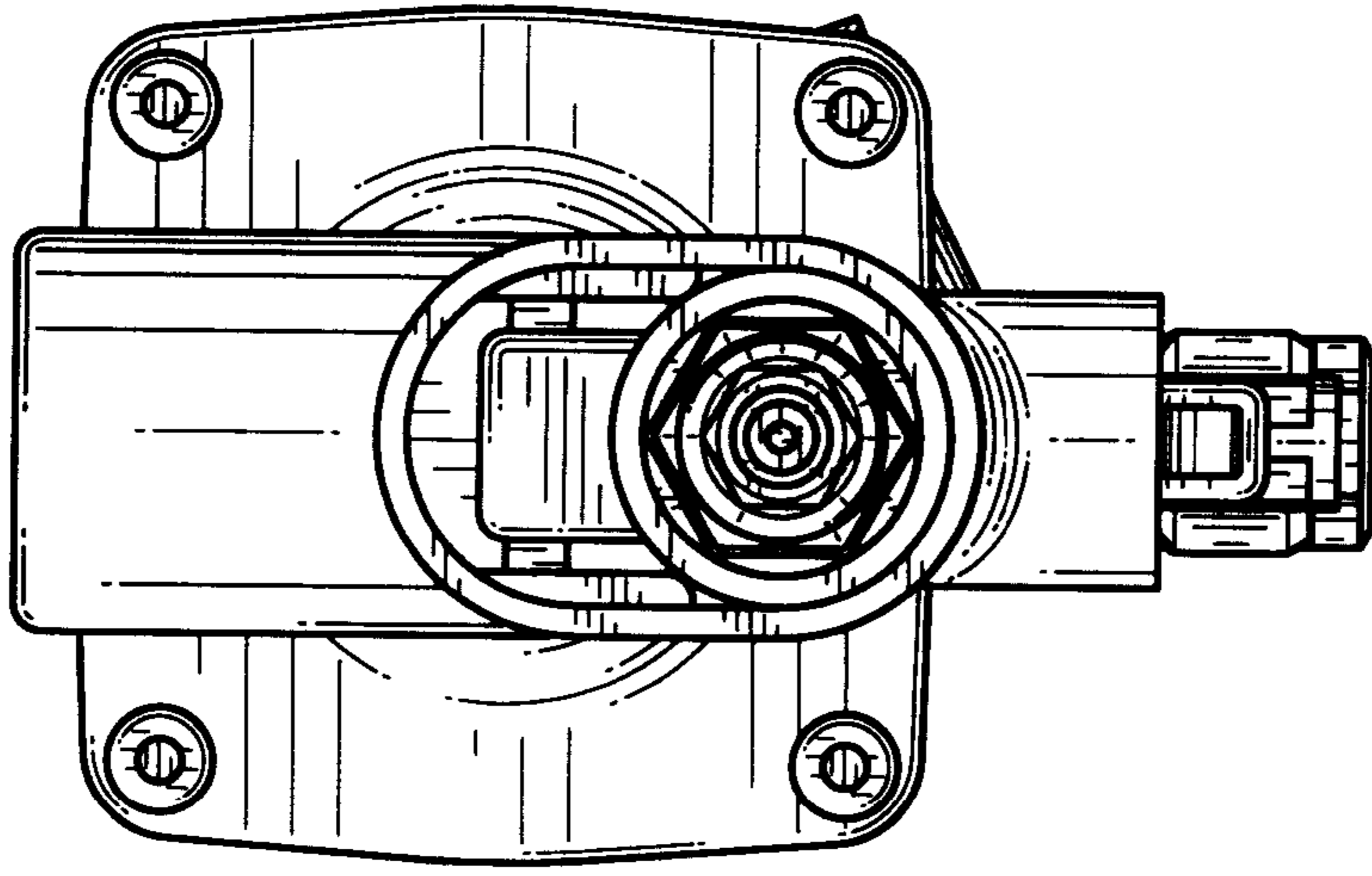


FIG. 6

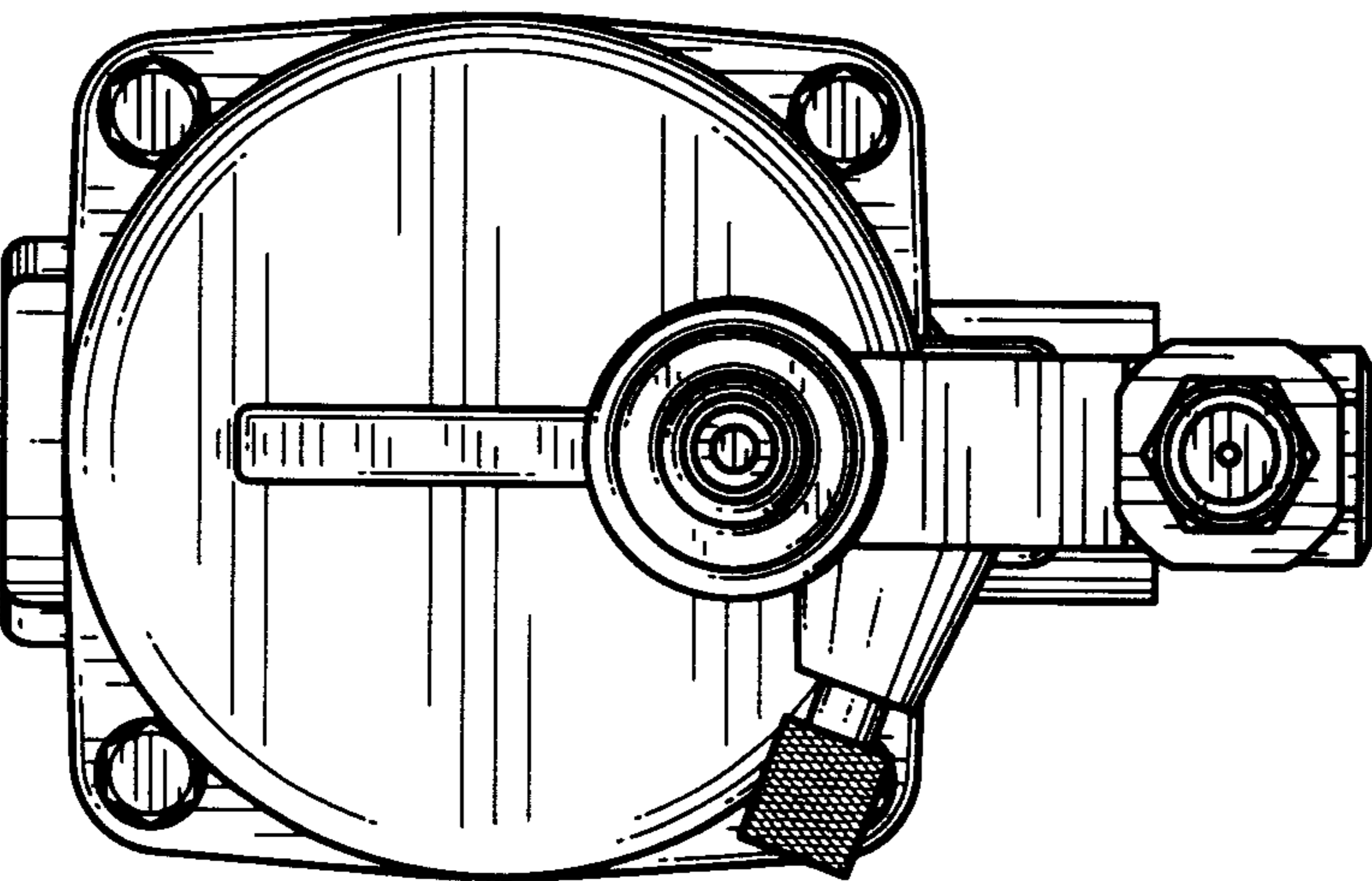


FIG. 7