



US00D445009S

(12) **United States Design Patent**
Rivera

(10) **Patent No.:** **US D445,009 S**

(45) **Date of Patent:** **** Jul. 17, 2001**

- (54) **FOLDING TOOL INCLUDING PLIERS**
- (75) Inventor: **Benjamin C. Rivera**, West Linn, OR (US)
- (73) Assignee: **Leatherman Tool Group, Inc.**, Portland, OR (US)
- (**) Term: **14 Years**
- (21) Appl. No.: **29/132,027**
- (22) Filed: **Oct. 31, 2000**
- (51) **LOC (7) Cl.** **08-05**
- (52) **U.S. Cl.** **D8/52; D8/105**
- (58) **Field of Search** D8/51, 52, 54, D8/55, 105, 107, 99; 30/34, 143, 153, 155; 7/118, 119, 125, 127, 128, 129, 132, 158, 165, 167, 168; 81/305

5,029,354	7/1991	Boyd, Jr. et al.	7/118
5,537,750	7/1996	Seber et al.	30/161
5,564,318	10/1996	Pail	81/427.5
5,809,599 *	9/1998	Frazer	7/128
6,014,787	1/2000	Rivera	7/128
6,092,444	7/2000	Hsiao	81/440

OTHER PUBLICATIONS

Hong Kong Enterprise Catalog Mar. 1989 p. 12 Item #FE3998.*

Blade, Jun. 1998, What's New, p. 90.

* cited by examiner

Primary Examiner—Alan P. Douglas

Assistant Examiner—Clare E Heflin

(74) *Attorney, Agent, or Firm*—Chernoff, Vilhauer, McClung & Stenzel, LLP

(57) **CLAIM**

The ornamental design for a folding tool including pliers, as shown and described.

(56) **References Cited**

U.S. PATENT DOCUMENTS

D. 380,362 *	7/1997	Rivera	D8/52
D. 384,872 *	10/1997	Yeh	D8/105
D. 385,169 *	10/1997	Rivera	D8/52
D. 392,519 *	3/1998	Hung	D8/5
D. 398,209	9/1998	Rivera	D8/52
D. 398,213	9/1998	Rivera	D8/105
D. 401,133 *	11/1998	Gardiner et al.	D8/105
D. 414,092 *	9/1999	Chang	D8/55
D. 423,893 *	5/2000	Mackin et al.	D8/52
D. 426,446 *	6/2000	Chau	D8/105
D. 426,447 *	6/2000	Chau	D8/105
D. 429,616 *	8/2000	Rivera	D8/105

DESCRIPTION

FIG. 1 is an isometric view from the upper left front of a folding tool including pliers, showing my new design;

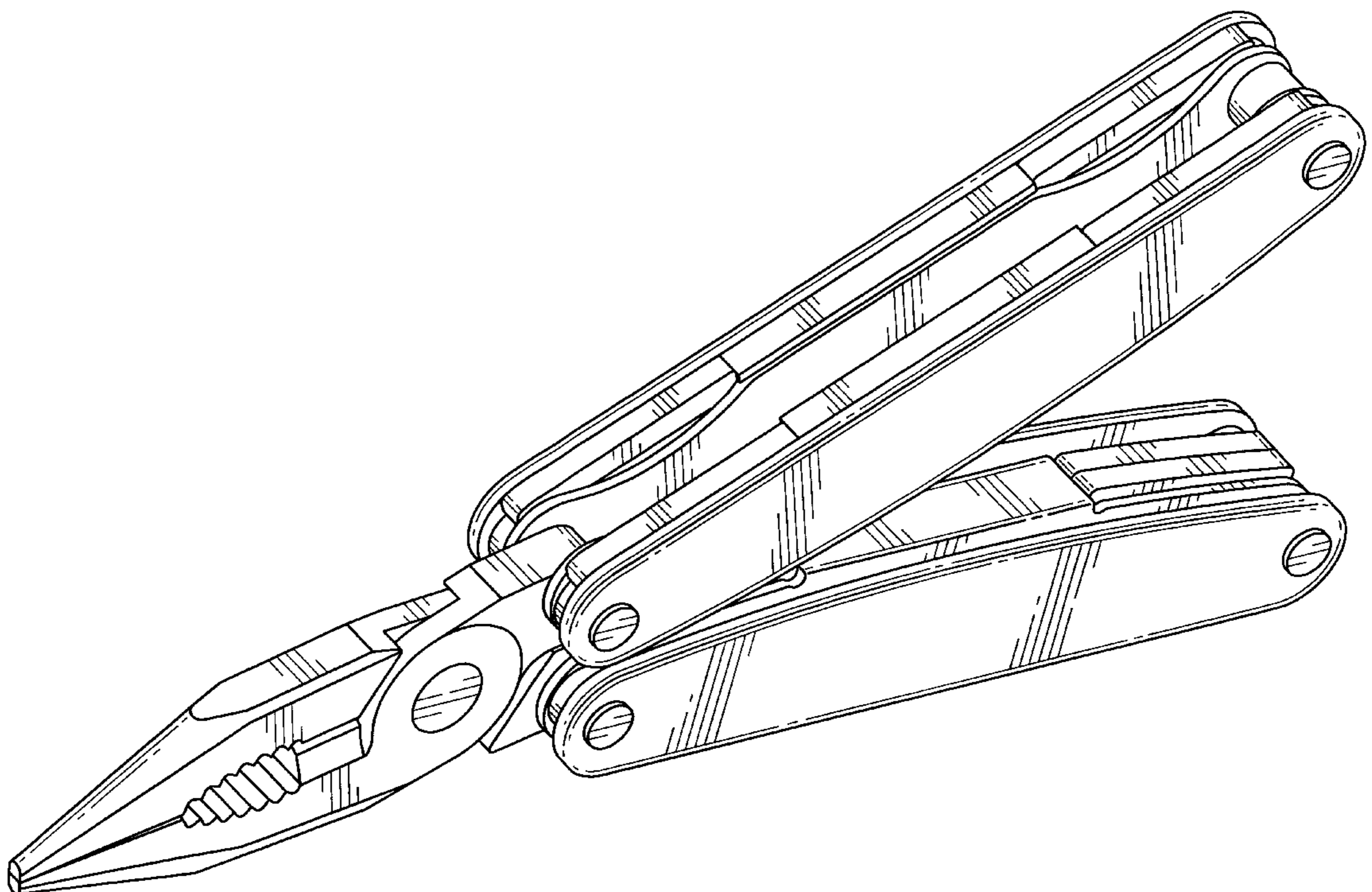
FIG. 2 is a side elevational view thereof, an elevational view of the opposite side being identical therewith;

FIG. 3 is a top plan view thereof, a bottom plan view thereof being identical therewith;

FIG. 4 is a rear elevational view thereof; and,

FIG. 5 is a front elevational view thereof.

1 Claim, 3 Drawing Sheets



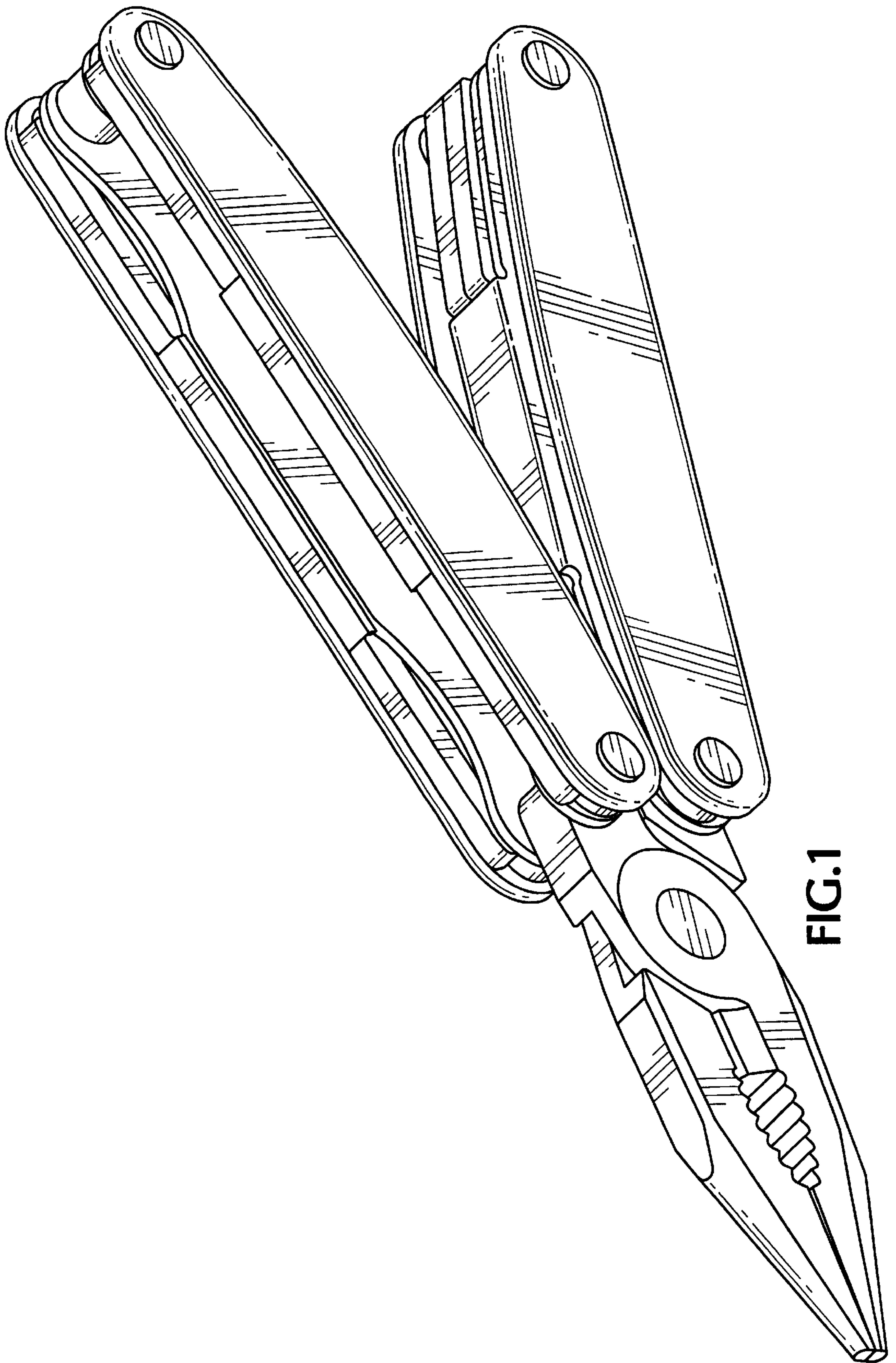


FIG.1

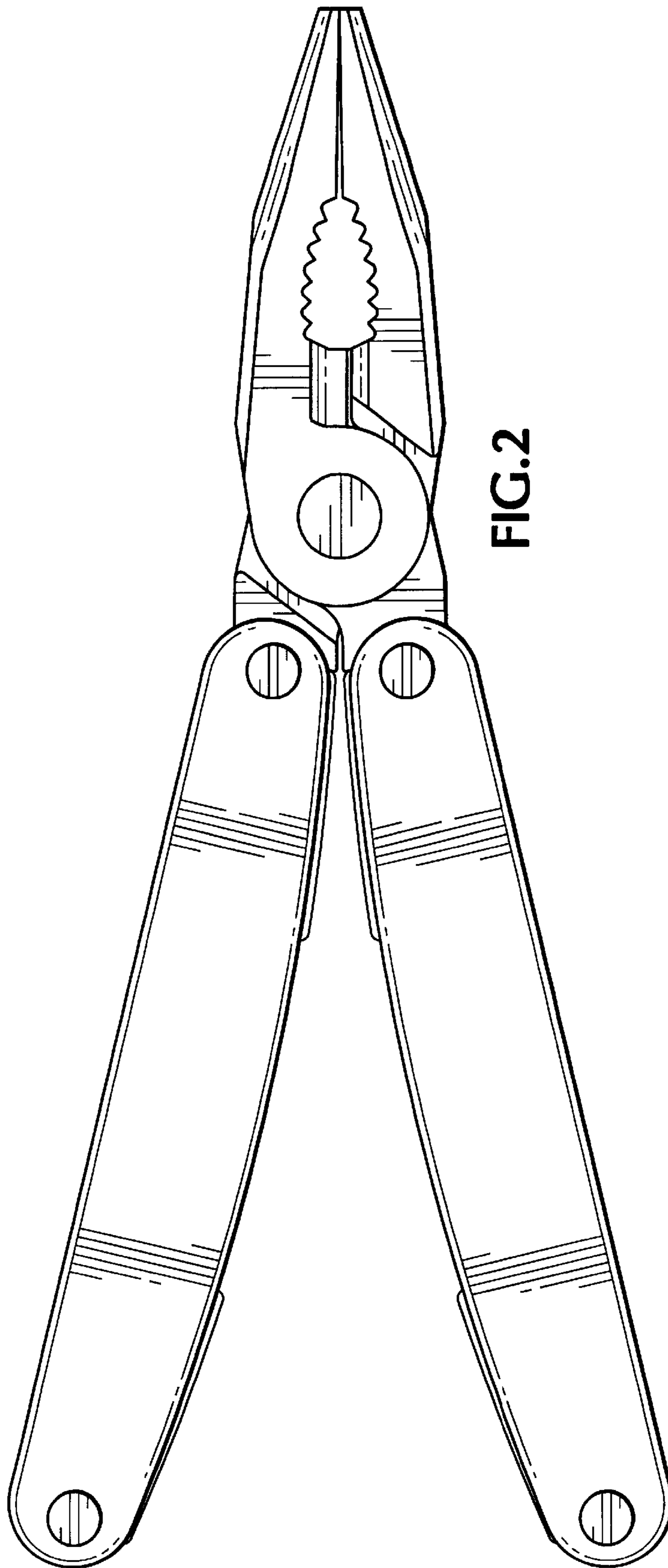


FIG. 2

