



US00D445008S

(12) **United States Design Patent**
Andina et al.

(10) **Patent No.:** **US D445,008 S**

(45) **Date of Patent:** **** Jul. 17, 2001**

(54) **CORK REMOVER**

(74) *Attorney, Agent, or Firm*—Janis Biksa

(75) Inventors: **Diego G. Andina**, Gussago; **Gianpiero Tonetti**, Lodi, both of (IT); **Sung Kim**, Palo Alto, CA (US); **Michael J. Dolan**, San Francisco, CA (US); **Dominic P. Symons**, Pasadena, CA (US)

(57) **CLAIM**

The ornamental design for a cork remover, as shown and described.

(73) Assignee: **Williams-Sonoma, Inc.**, San Francisco, CA (US)

DESCRIPTION

(**) Term: **14 Years**

(21) Appl. No.: **29/127,550**

FIG. 1 is a perspective view of an embodiment according to the invention;

(22) Filed: **Aug. 8, 2000**

FIG. 2 is a right side view of the design of FIG. 1, the left side being a mirror image thereof;

(51) **LOC (7) Cl.** **07-06**

FIG. 3 is a back view of the design of FIG. 1;

(52) **U.S. Cl.** **D8/42; D8/39**

FIG. 4 is a front view of the design of FIG. 1;

(58) **Field of Search** D8/33-43, 18, D8/19; 30/400-443; 81/3.07-3.49; 7/151-156

FIG. 5 is a bottom view of the design of FIG. 1;

FIG. 6 is a top view of the design of FIG. 1;

(56) **References Cited**

FIG. 7 is a perspective view of another embodiment according to the invention, showing the handle of the design rotated from the position at which it is shown in FIG. 1;

U.S. PATENT DOCUMENTS

D. 293,414	*	12/1987	Allen	D8/43
D. 309,085	*	7/1990	Usbeck	D8/33
D. 359,213	*	6/1995	Entwistle	D8/42
390,183	*	9/1888	Morgan	81/3.09
D. 408,697	*	4/1999	Bergen	D8/42
D. 415,667	*	10/1999	de Bergen	D8/42
D. 420,558	*	2/2000	Lee	D8/39
D. 430,994	*	9/2000	Kilduff	D8/39
593,698	*	11/1897	Stoll	81/3.37
4,253,351	*	3/1981	Allen	81/3.29

FIG. 8 is a close-up right side view of the design of FIG. 7, the left side being a mirror image thereof, this view shows only a portion of the handle of the design, its distal portion not being shown;

FIG. 9 is a back view of the design of FIG. 7;

FIG. 10 is a front view of the design of FIG. 7;

FIG. 11 is a top view of the design of FIG. 7; and,

FIG. 12 is a bottom view of the design of FIG. 7.

OTHER PUBLICATIONS

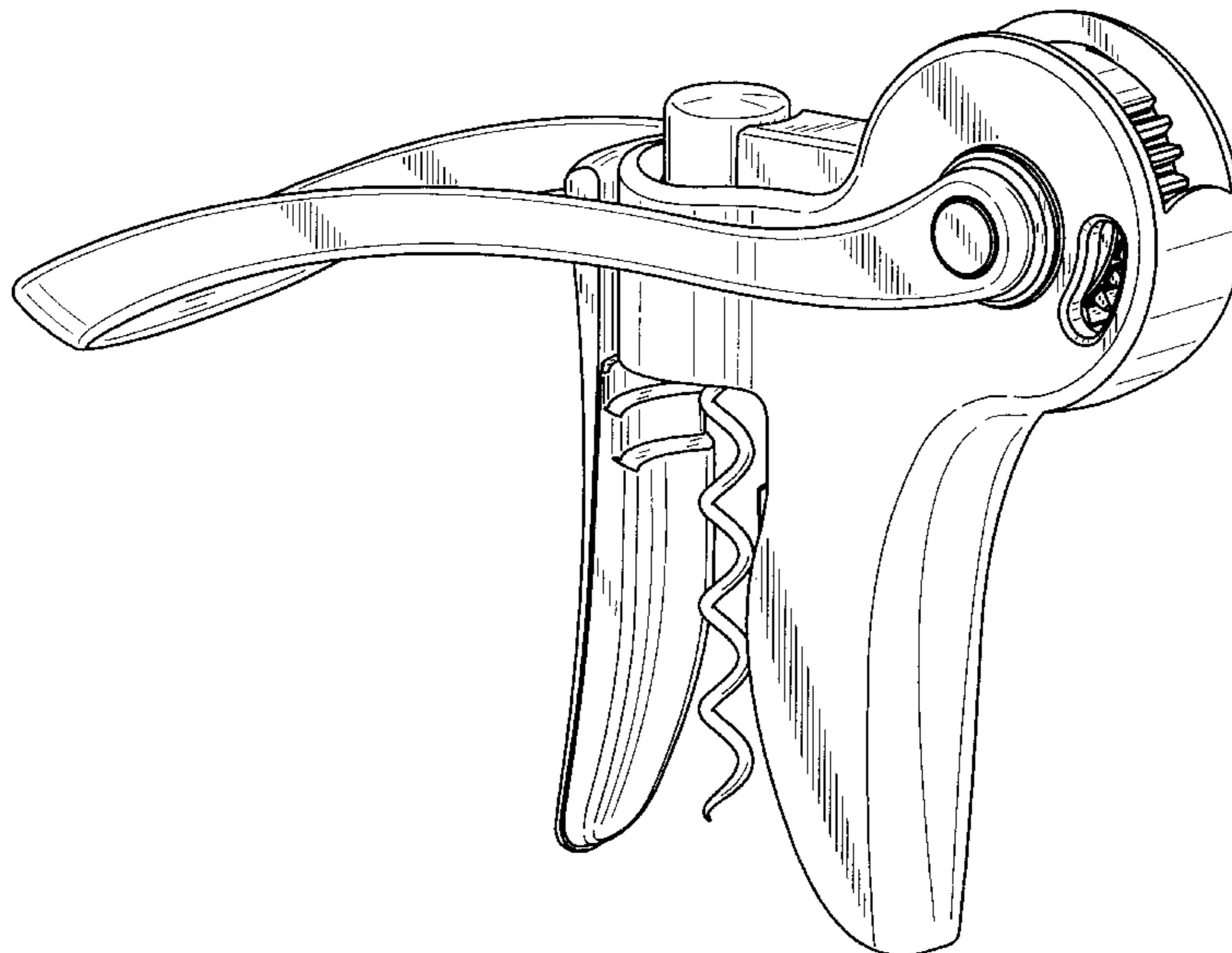
Winter 1995 Chef's Catalog, p. 58, item B.*

The handle of the design has been fragmentarily shown in FIGS. 8, 11, and 12 for convenience of illustration.

* cited by examiner

Primary Examiner—Jeffrey Asch

1 Claim, 8 Drawing Sheets



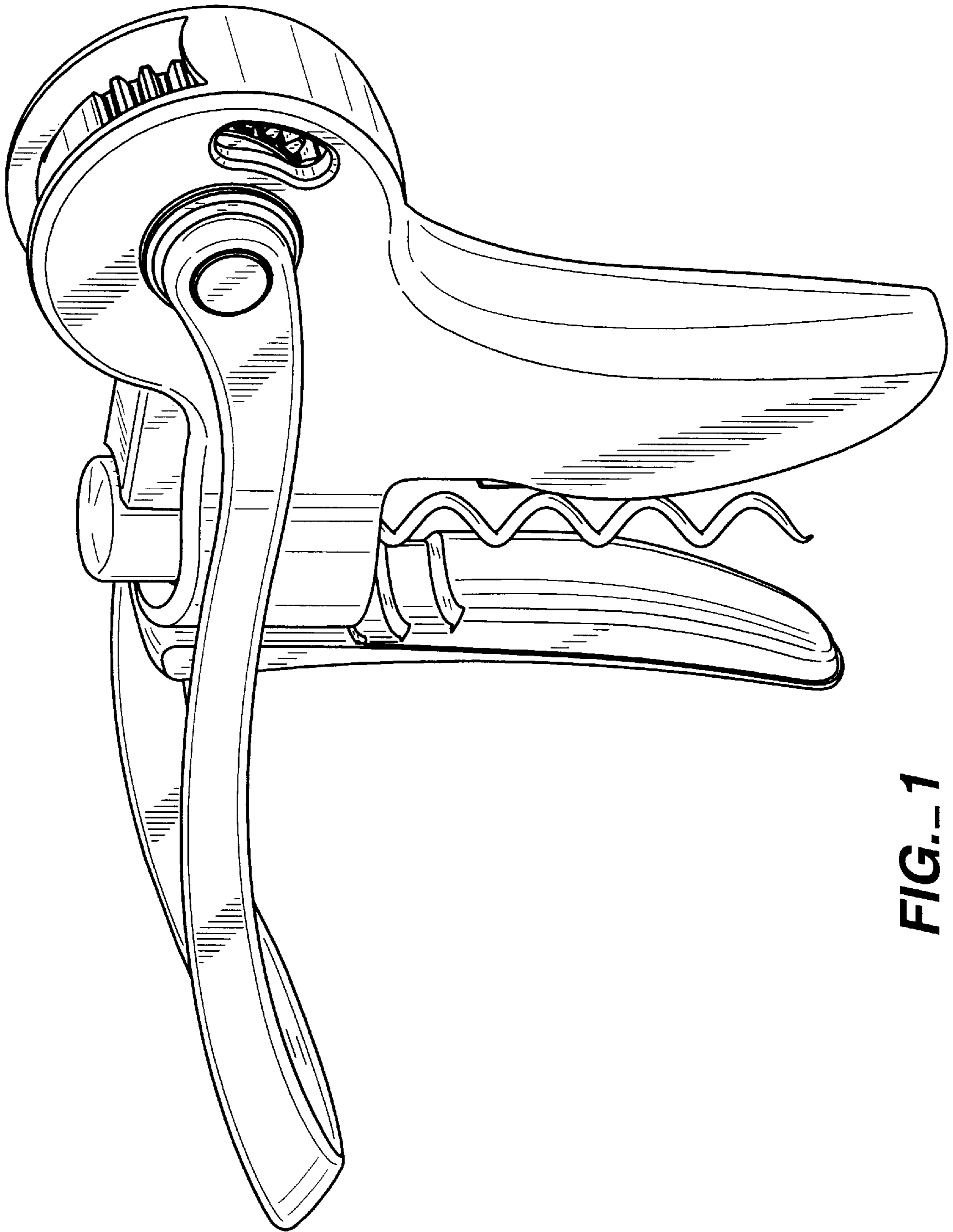


FIG. 1

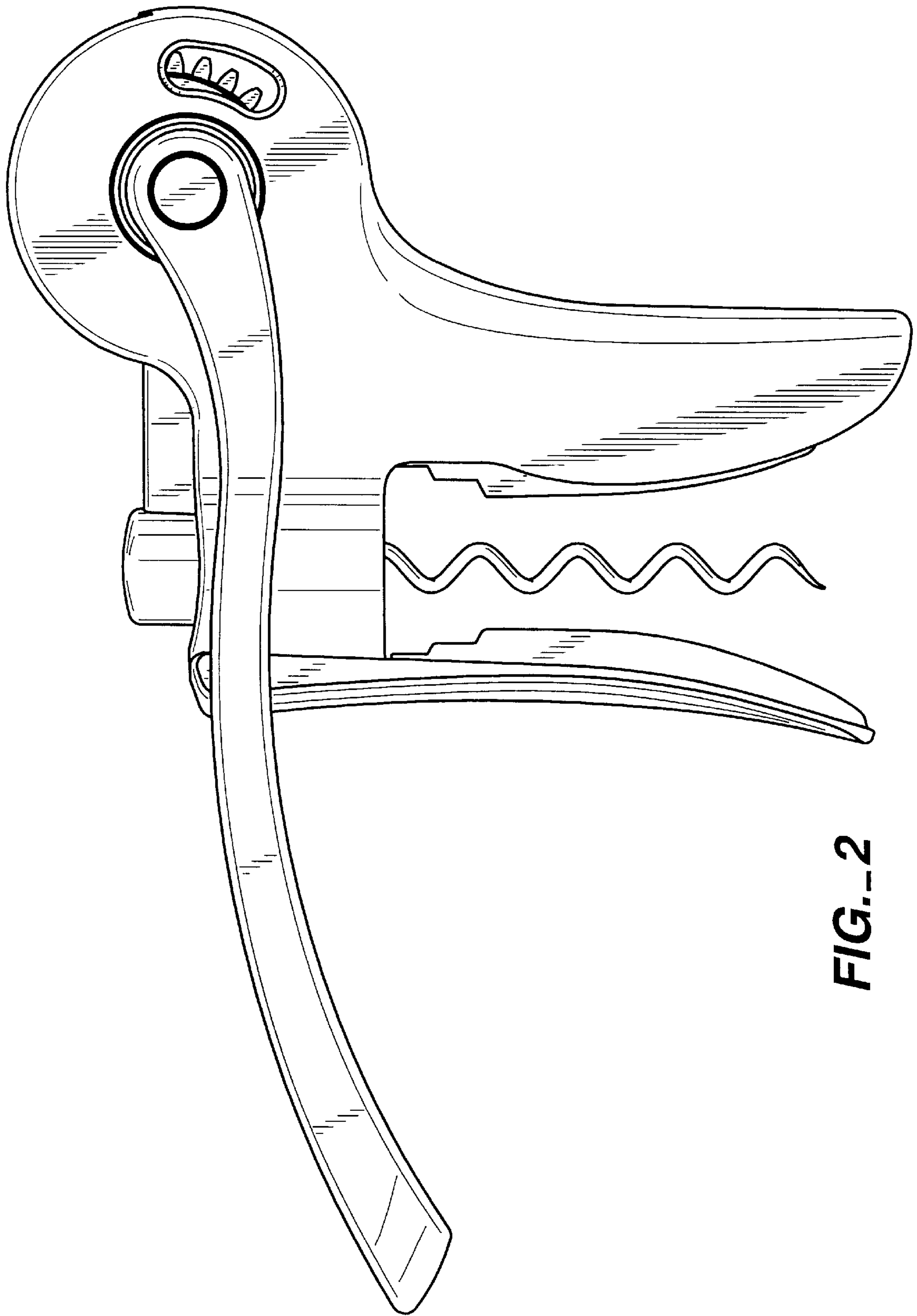


FIG.--2

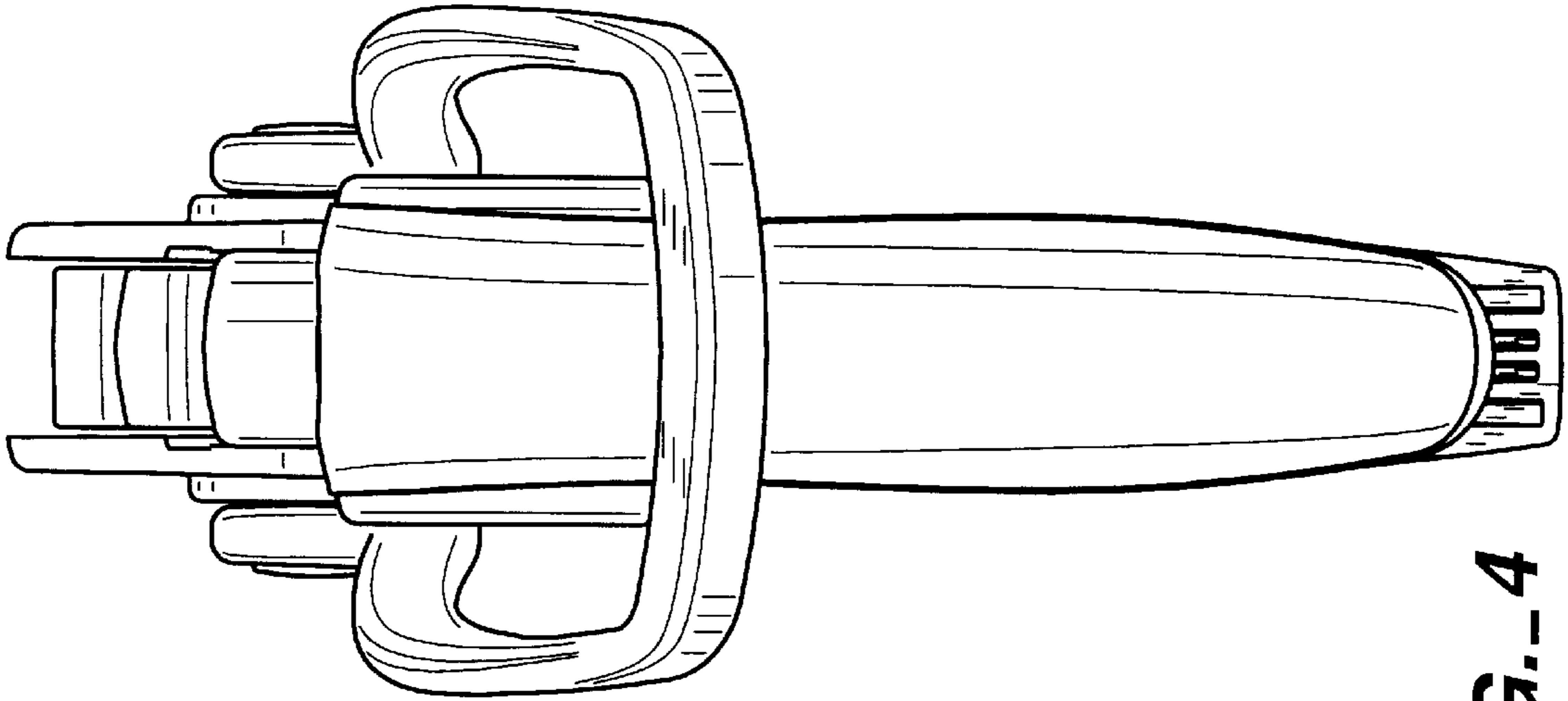


FIG. 4

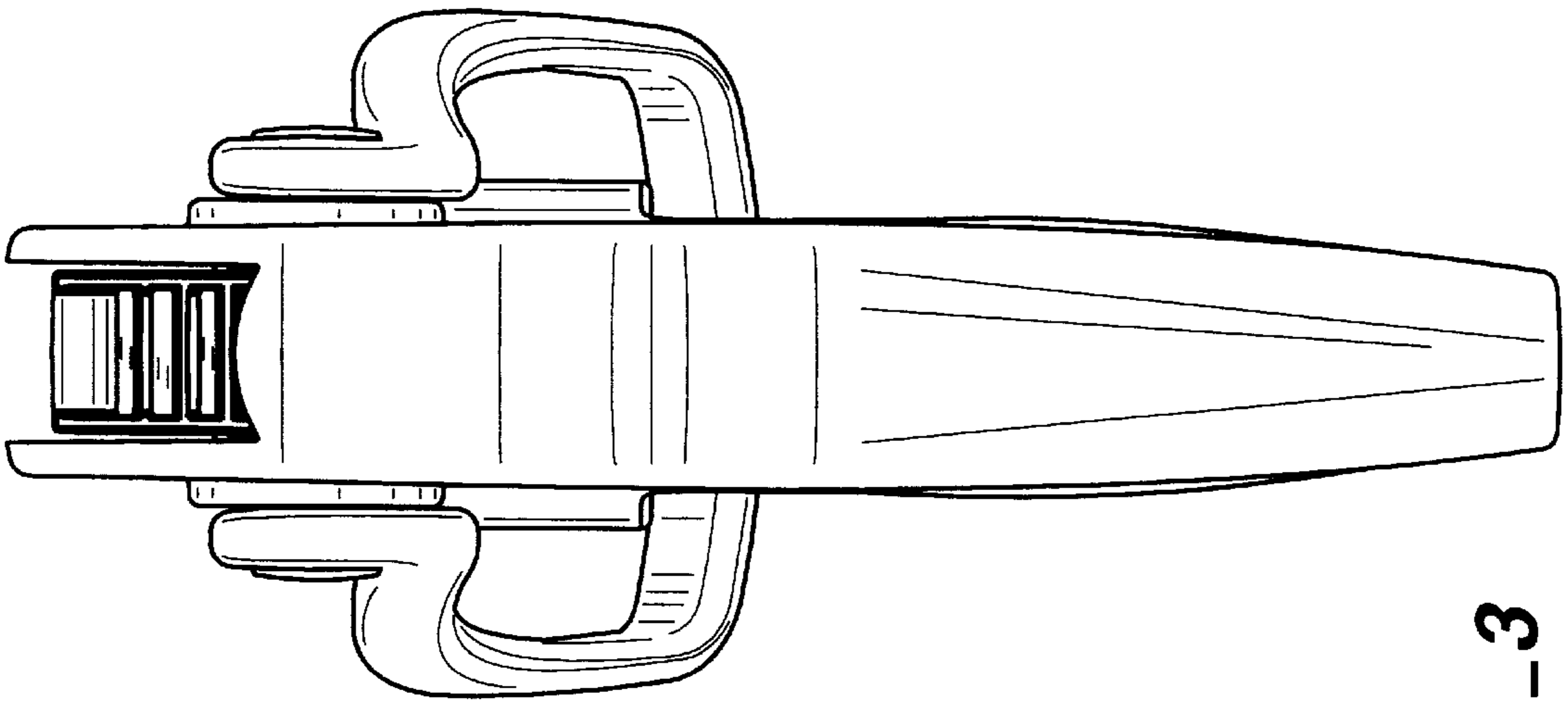


FIG. 3

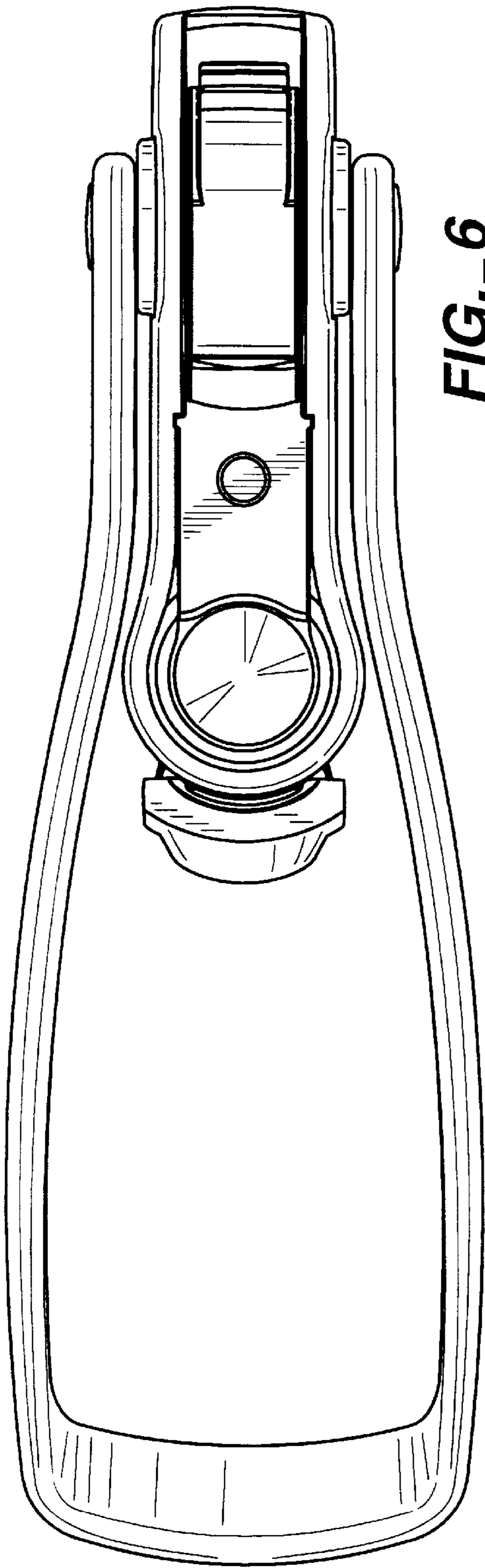


FIG. 6

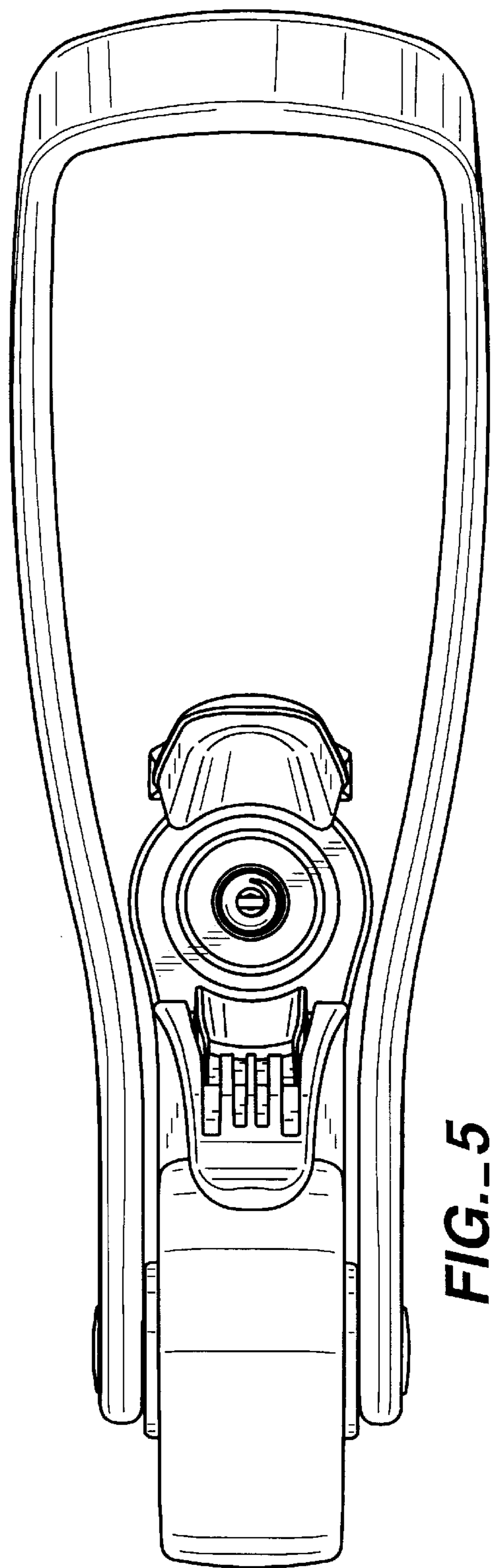


FIG. 5

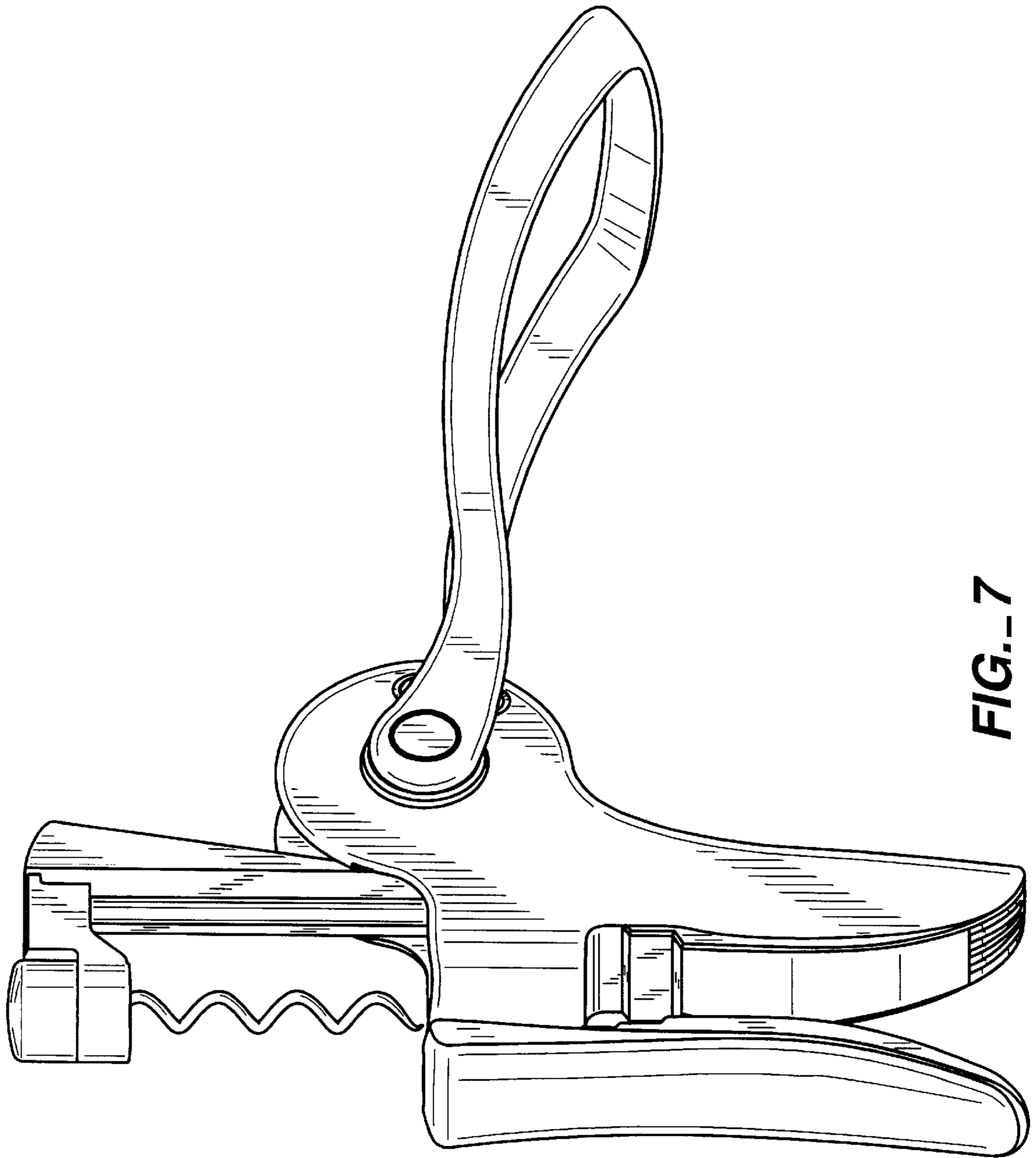


FIG.-7

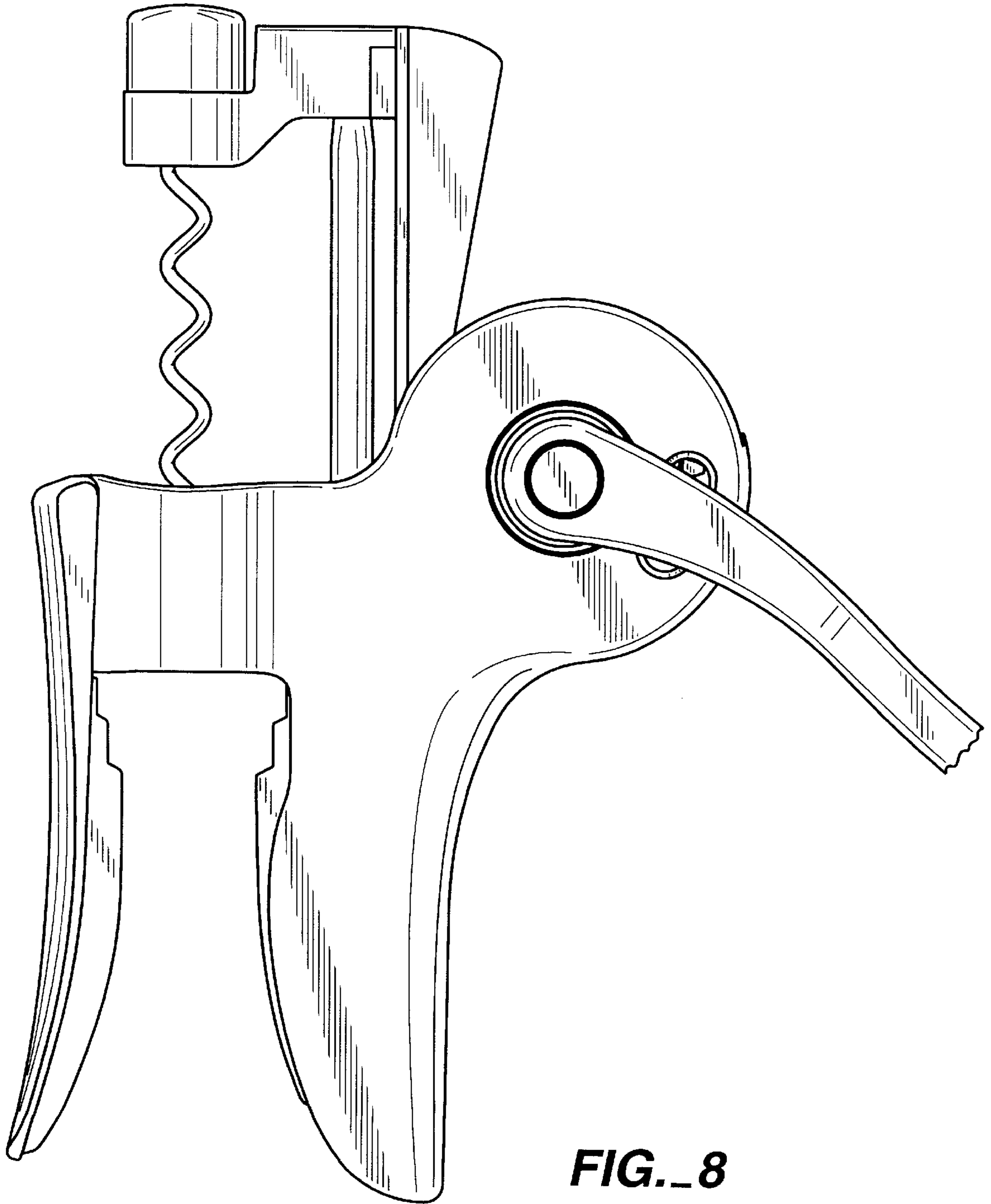


FIG. 8

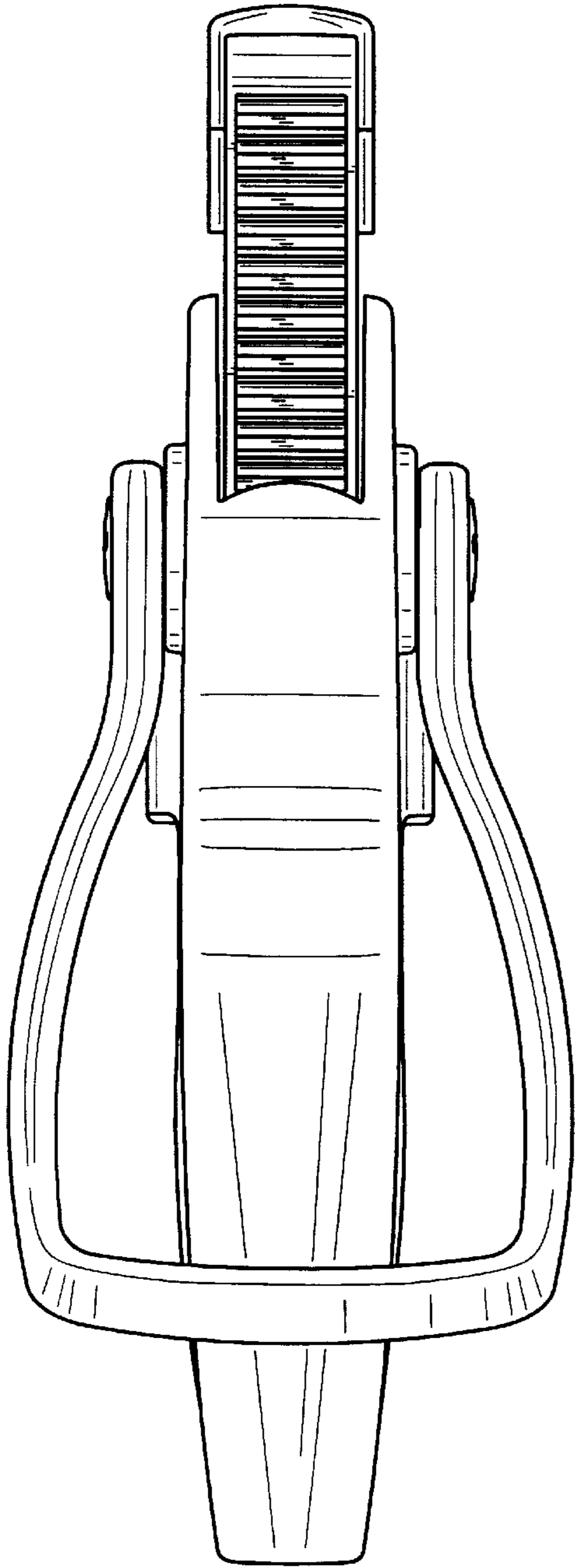


FIG. 9

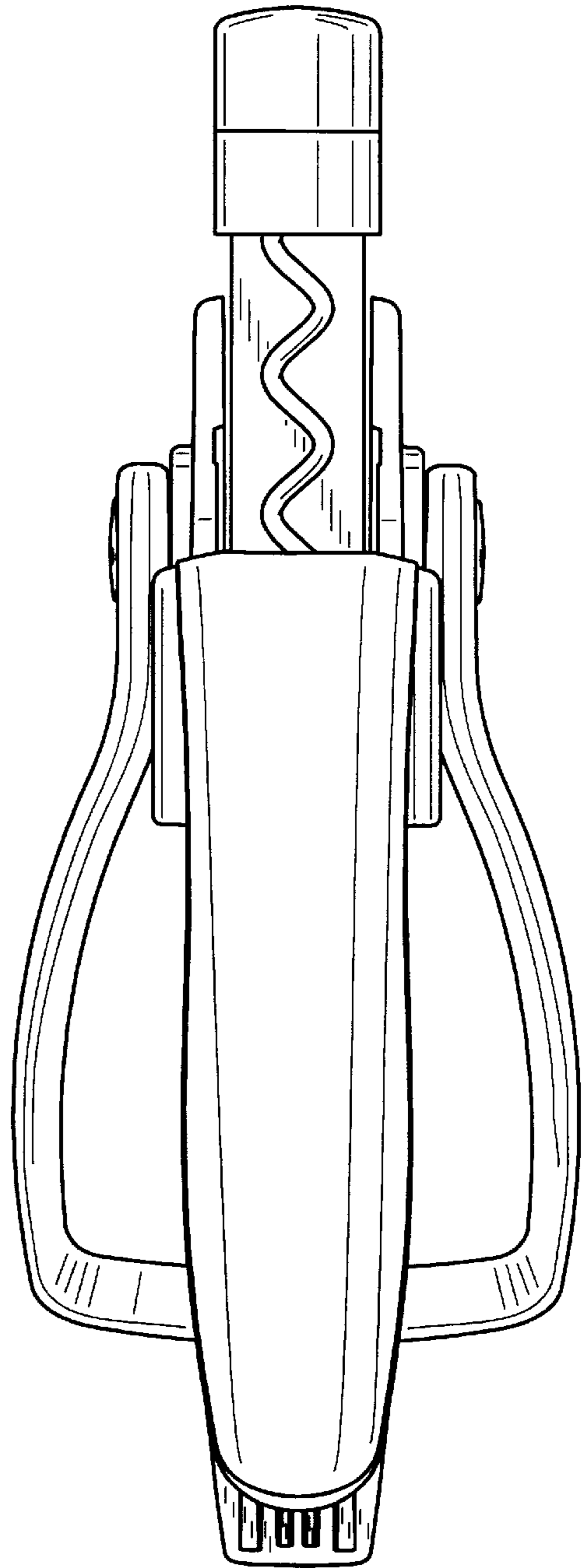


FIG. 10

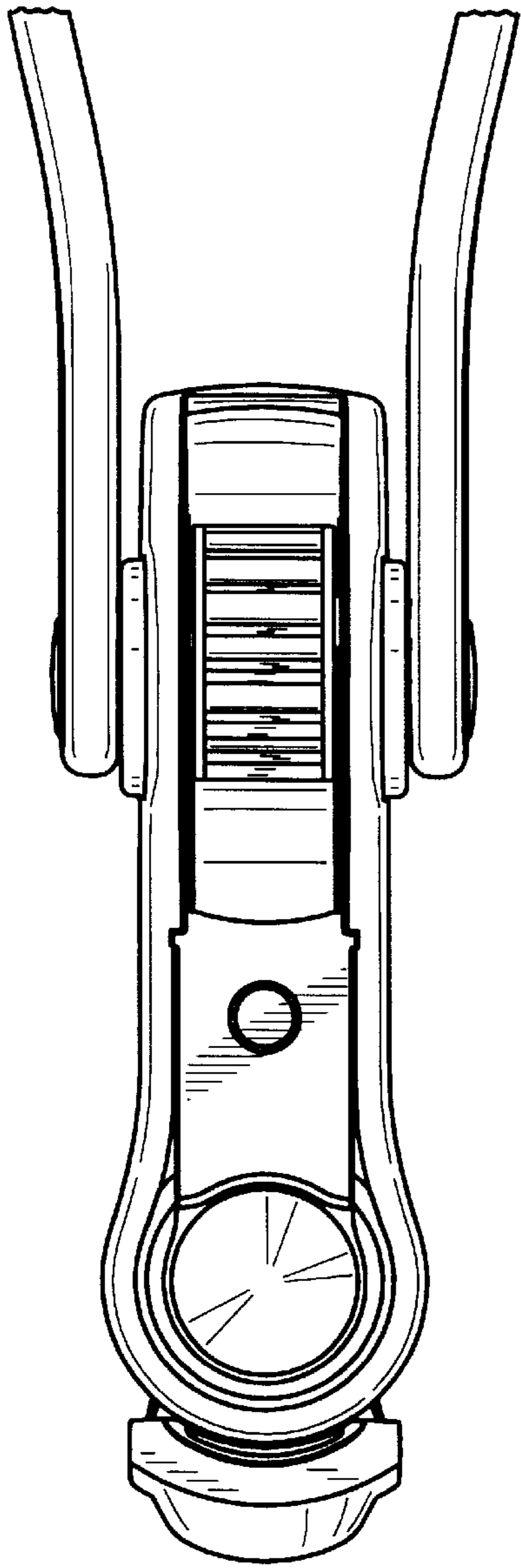


FIG. 11

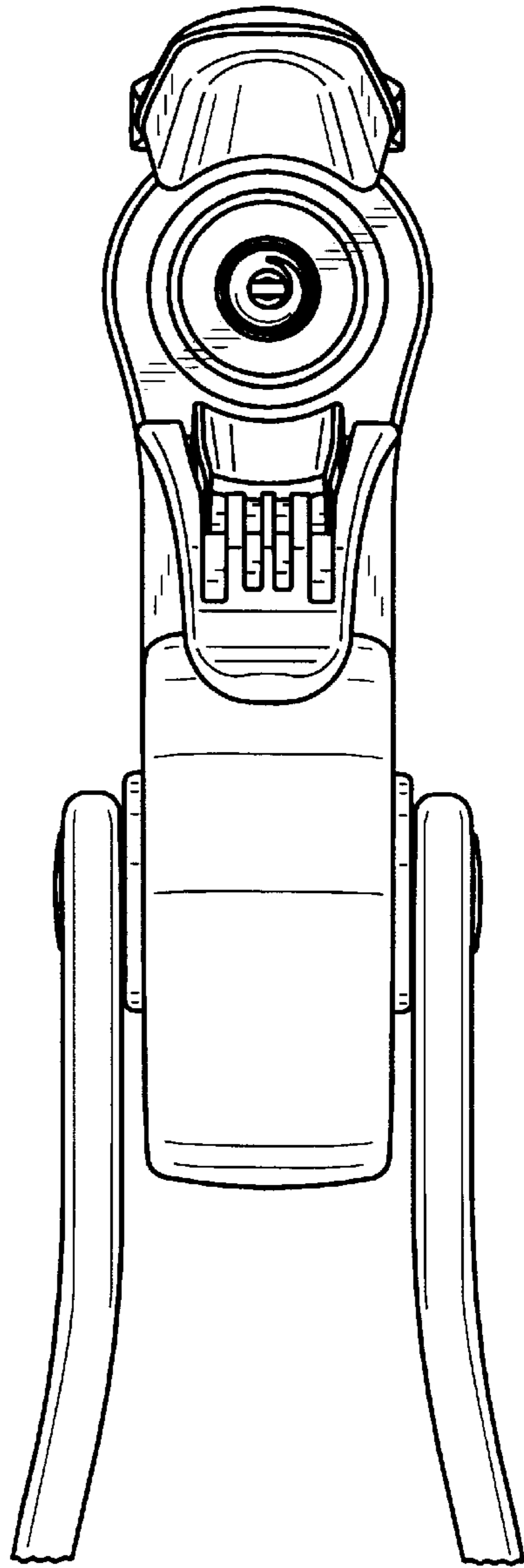


FIG. 12