



US00D445004S

(12) **United States Design Patent**
Wallays

(10) **Patent No.:** **US D445,004 S**

(45) **Date of Patent:** **** Jul. 17, 2001**

(54) **SIEVE WITH DESCENDING HANDLE**

(75) Inventor: **Nele Wallays**, Antwerp (BE)

(73) Assignee: **Dart Industries Inc.**, Orlando

(**) Term: **14 Years**

(21) Appl. No.: **29/127,789**

(22) Filed: **Aug. 10, 2000**

(51) **LOC (7) Cl.** **07-04**

(52) **U.S. Cl.** **D7/667**

(58) **Field of Search** D7/356, 400, 667,
D7/668; 210/464, 465, 470, 473, 474, 477,
482, 498, 499; 99/403, 426

(56) **References Cited**

U.S. PATENT DOCUMENTS

- D. 251,050 2/1979 Wallsten .
- D. 314,315 2/1991 Darnell .
- D. 334,691 4/1993 Feer .

D. 339,720 9/1993 Kolada .

D. 359,887 * 7/1995 Hasuike D7/667

5,505,850 * 4/1996 Licari 210/474 X

* cited by examiner

Primary Examiner—Terry A. Wallace

(74) *Attorney, Agent, or Firm*—Taylor J. Ross

(57) **CLAIM**

The ornamental design for a sieve with descending handle, as shown and described.

DESCRIPTION

FIG. 1 is a top, side and front perspective view of a sieve with descending handle showing the new design;

FIG. 2 is a right side elevation view thereof;

FIG. 3 is a left side elevation view thereof;

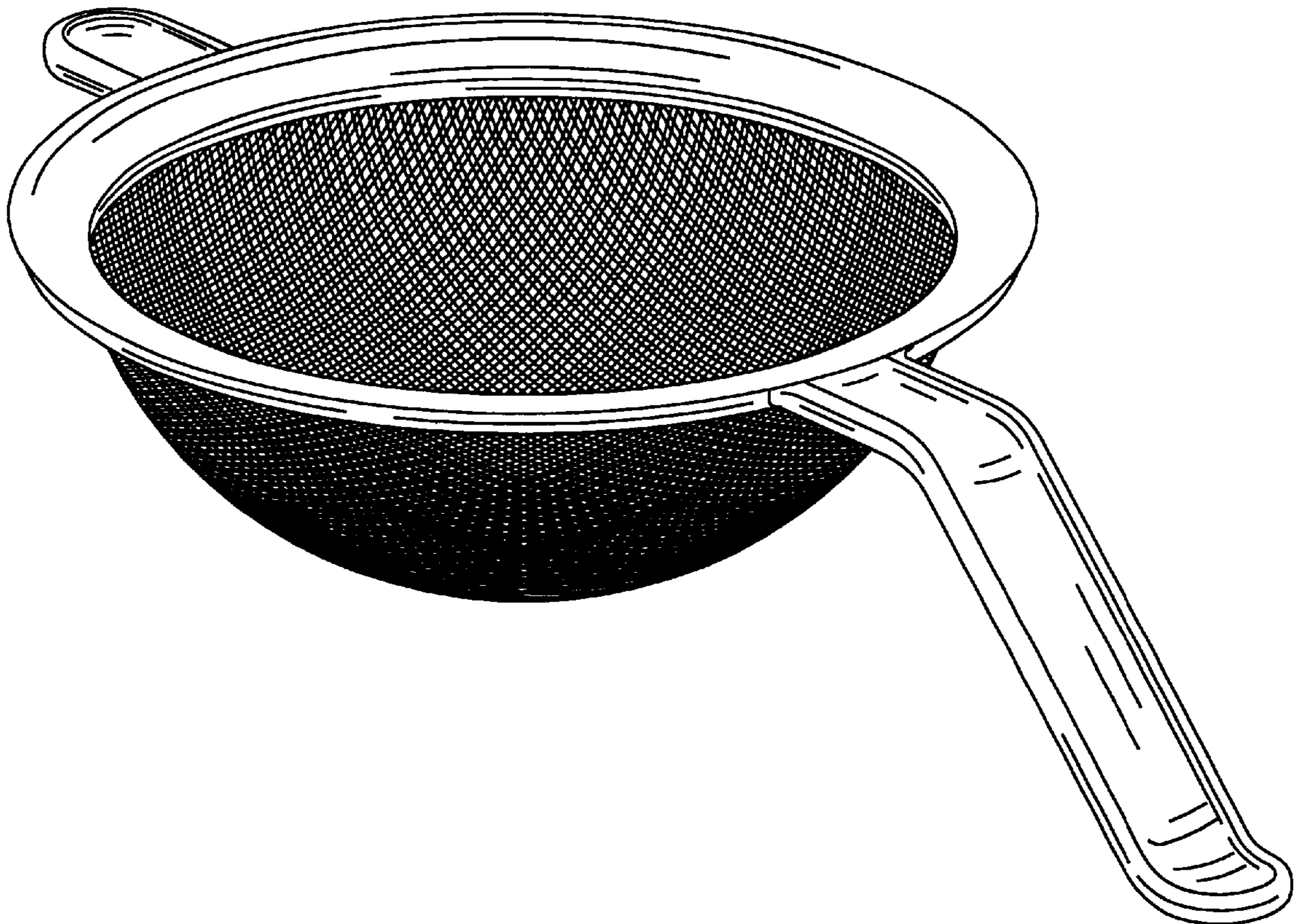
FIG. 4 is a rear elevation view thereof;

FIG. 5 is a front elevation view thereof;

FIG. 6 is a top plan view thereof; and,

FIG. 7 is a bottom plan view thereof.

1 Claim, 4 Drawing Sheets



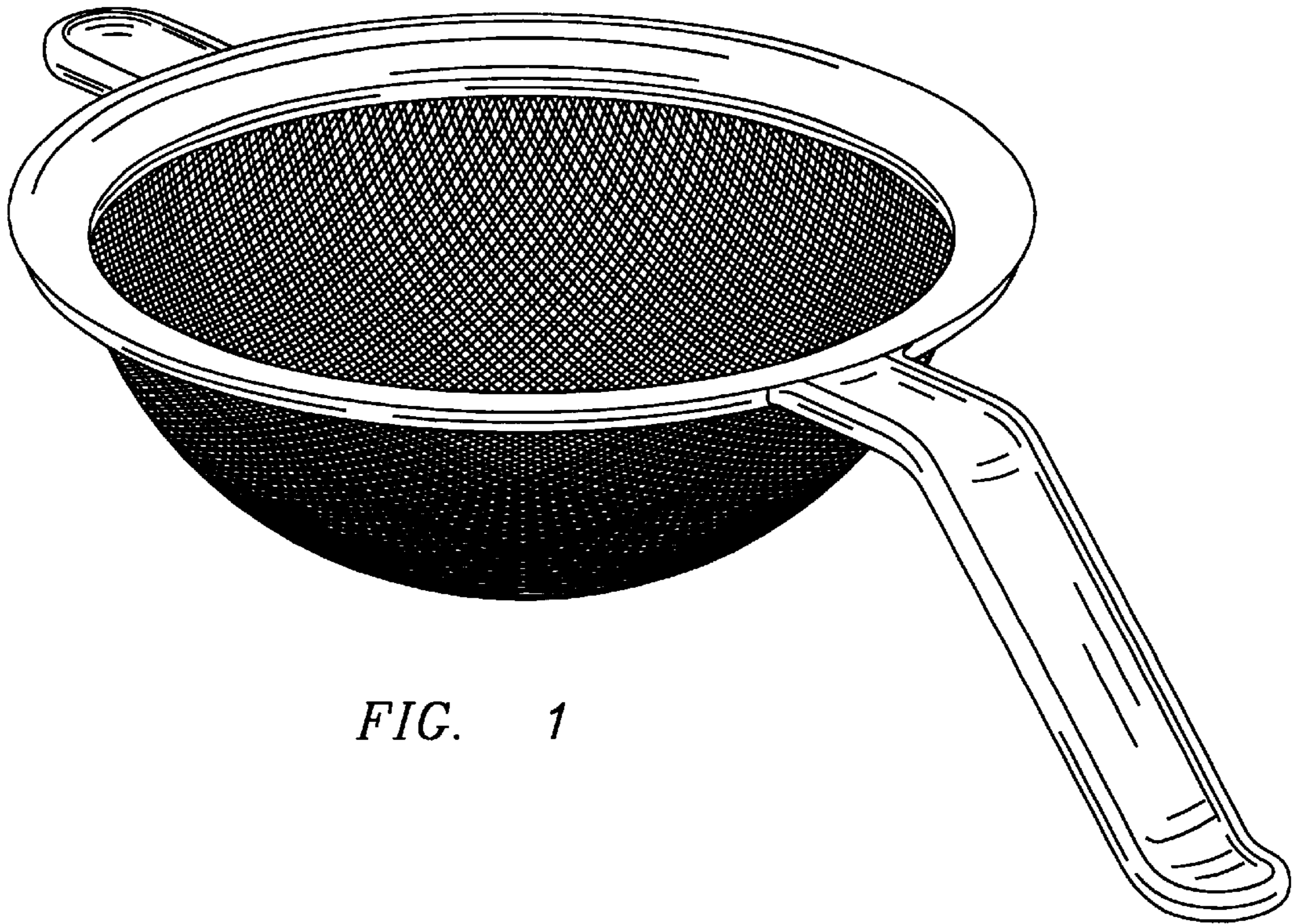


FIG. 1

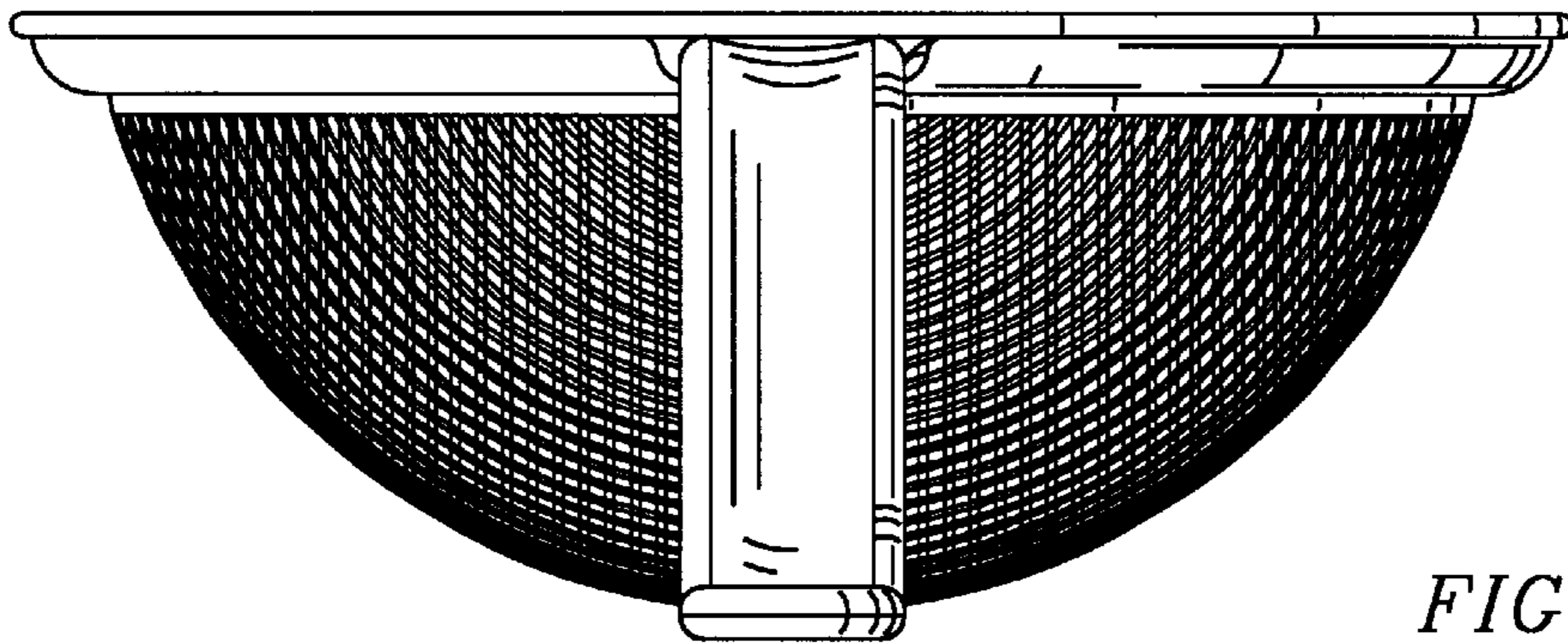


FIG. 4

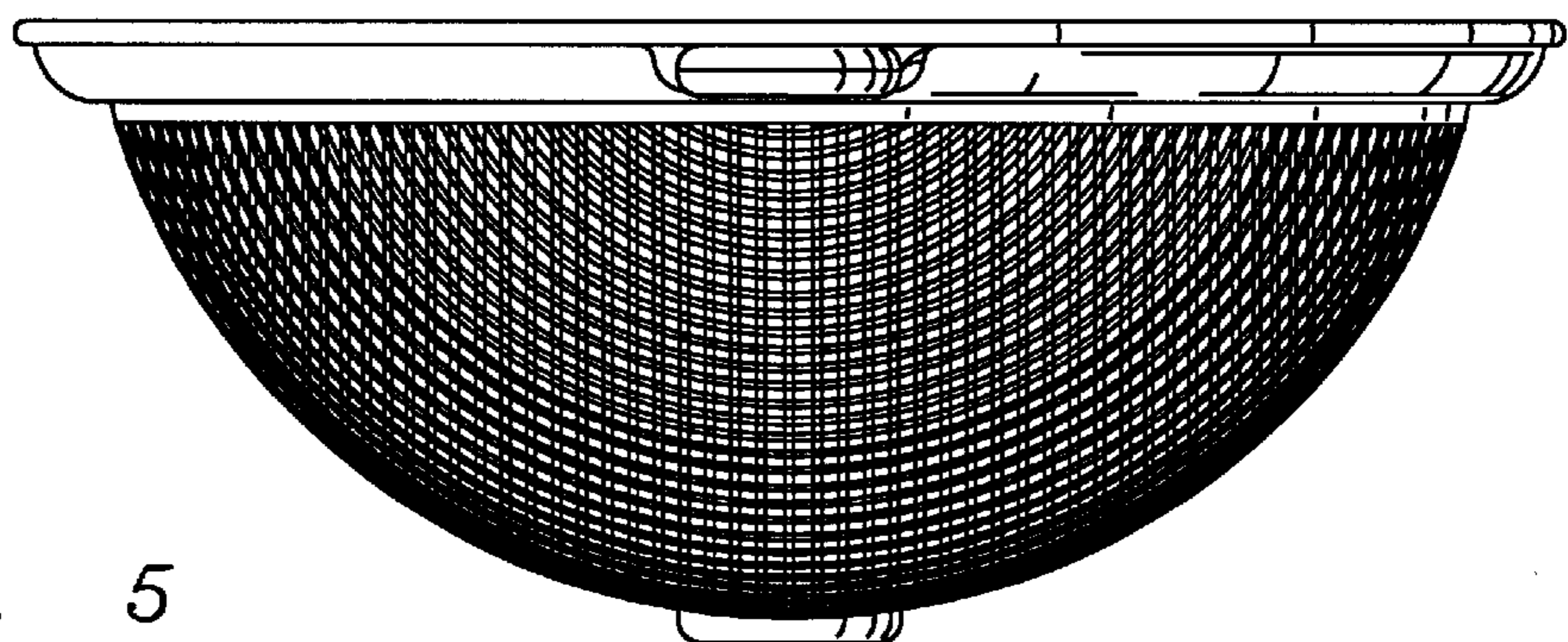


FIG. 5

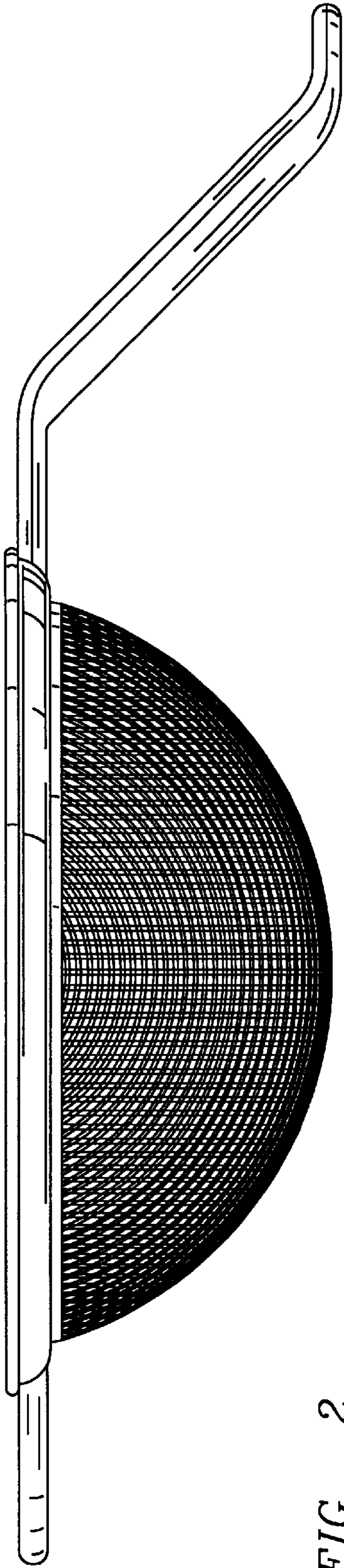


FIG. 2

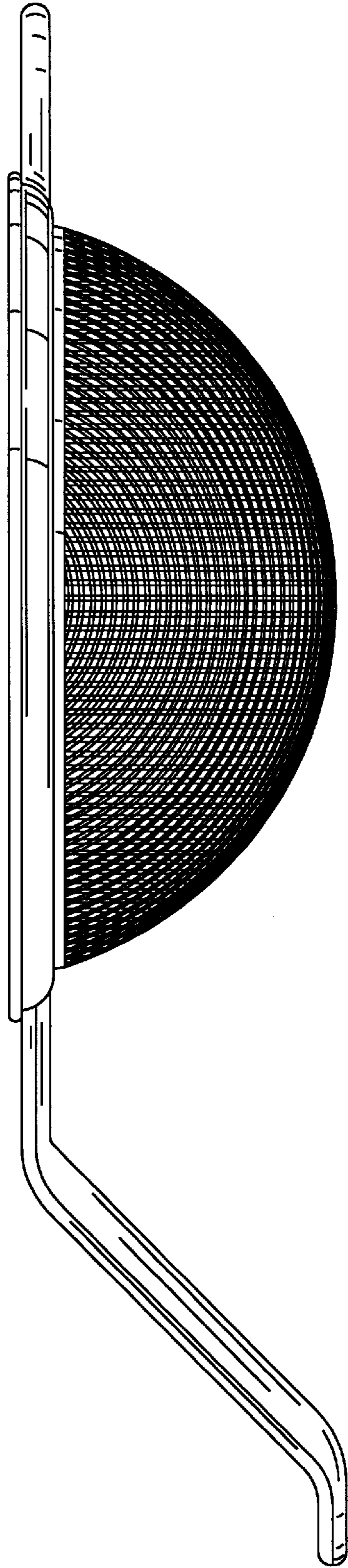


FIG. 3

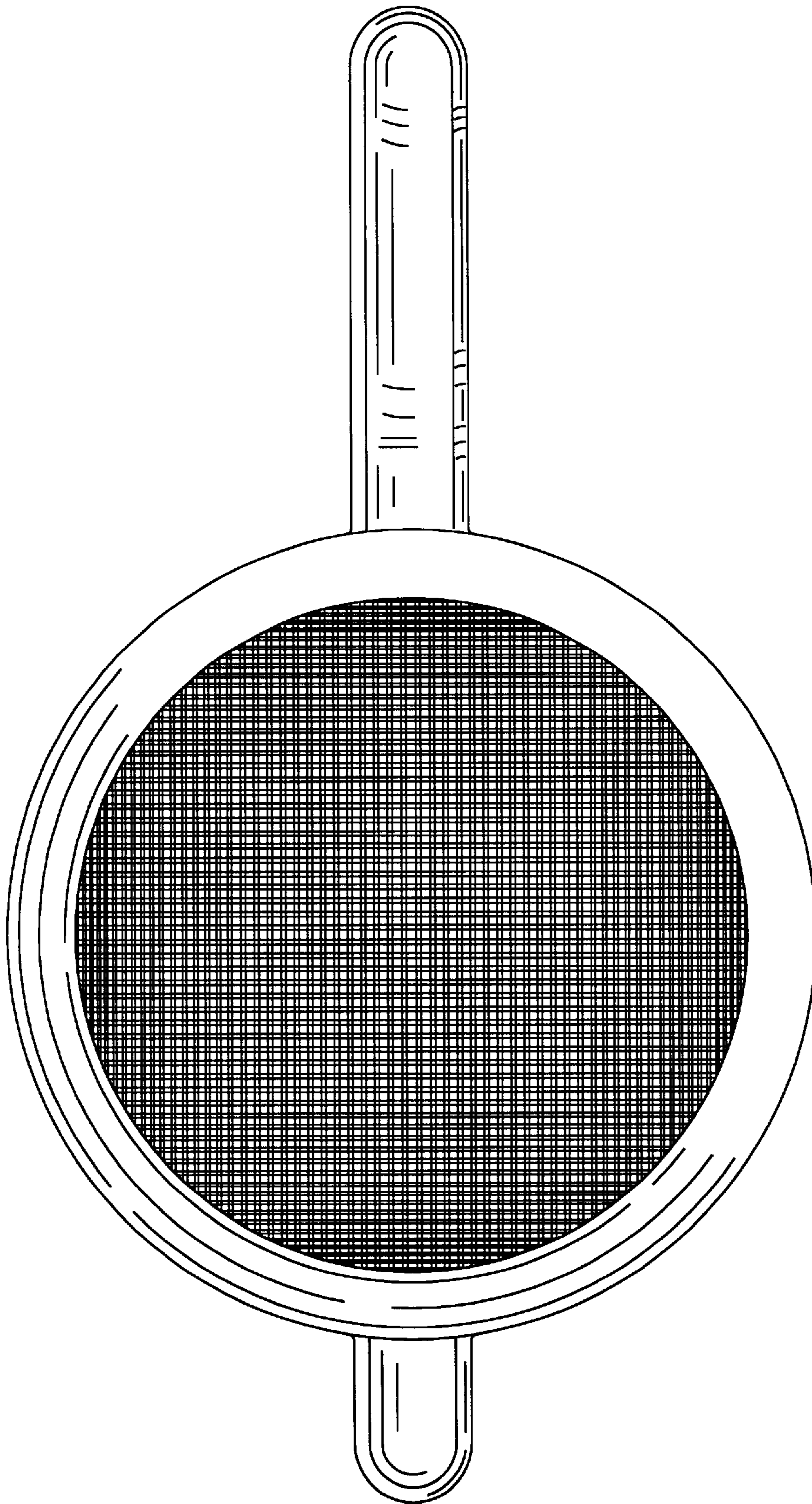


FIG. 6

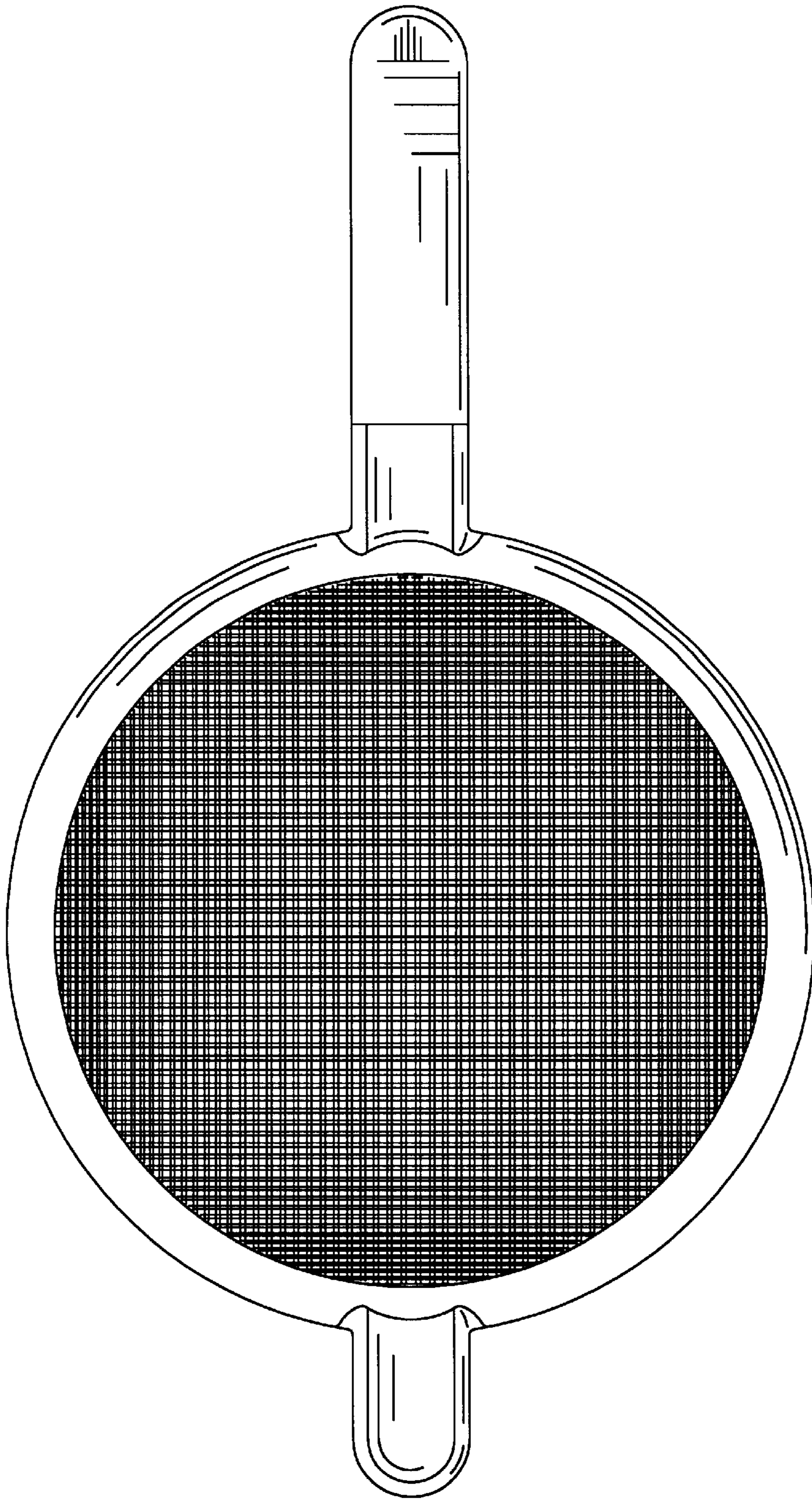


FIG. 7