



US00D444996S

(12) **United States Design Patent**
Morgan

(10) **Patent No.:** **US D444,996 S**

(45) **Date of Patent:** **** Jul. 17, 2001**

(54) **COUNTER TOP APPLIANCE STAND**

(76) Inventor: **Fletcher Morgan**, 4990 Coquina Key Dr., SE., St. Petersburg, FL (US) 33705

(**) Term: **14 Years**

(21) Appl. No.: **29/128,582**

(22) Filed: **Aug. 29, 2000**

(51) **LOC (7) Cl.** **07-49**

(52) **U.S. Cl.** **D7/388**

(58) **Field of Search** D7/387, 388, 619, D7/624, 601; D6/484; 99/275, 279, 306; 248/346.5, 127, 176.1, 176.2, 346.01, 346.11

(56) **References Cited**

U.S. PATENT DOCUMENTS

D. 336,205 * 6/1993 Cooper D7/624
1,970,465 * 8/1934 Martindell et al. D7/388 X

* cited by examiner

Primary Examiner—Antoine Duval Davis

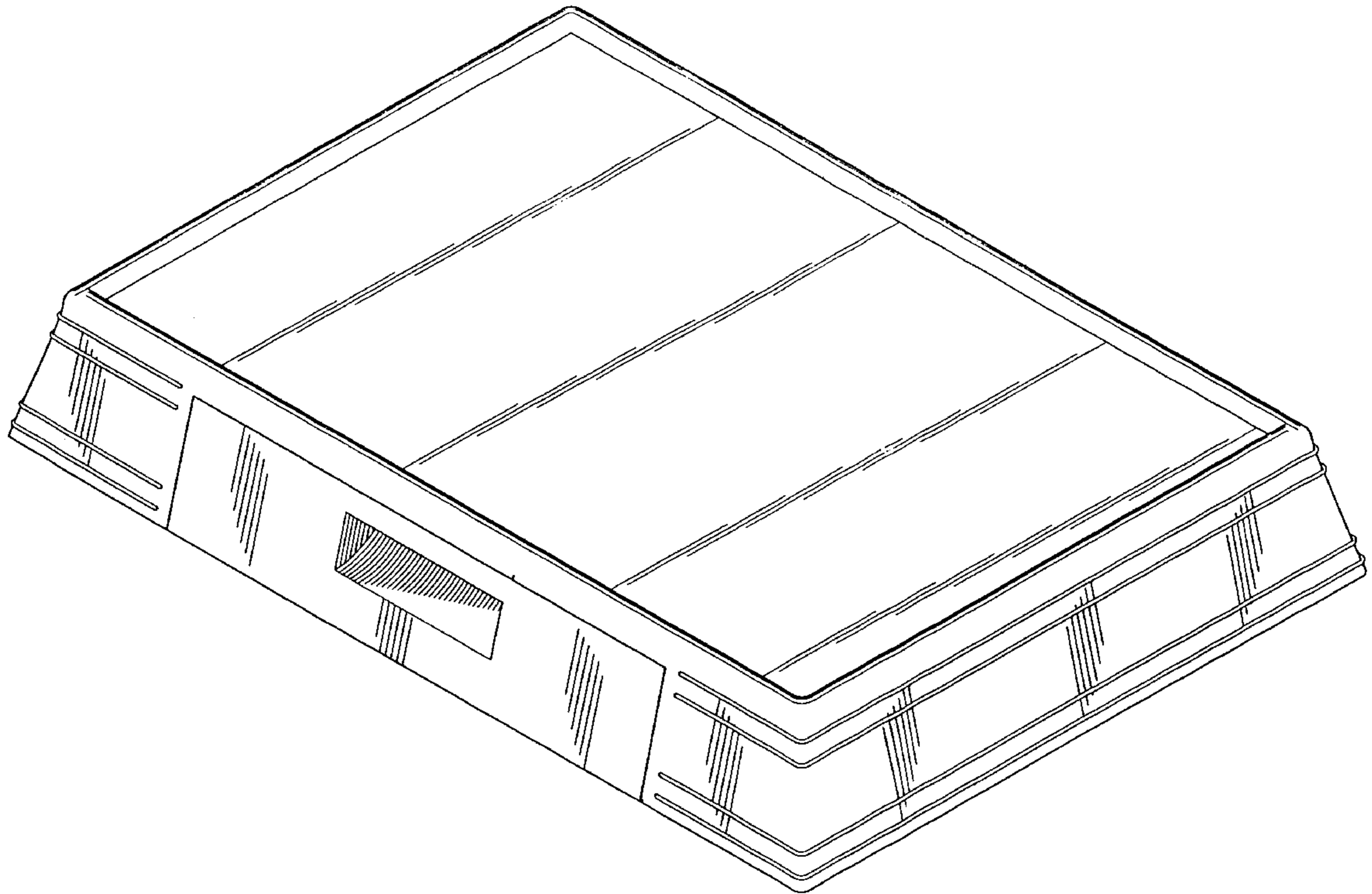
(57) **CLAIM**

The ornamental design for a counter top appliance stand, as shown and described.

DESCRIPTION

FIG. 1 is an oblique perspective view of the counter top appliance stand showing my new design;
FIG. 2 is an oblique perspective view of the counter top appliance stand with drawer pulled out showing my new design;
FIG. 3 is a front view of the counter top appliance stand showing my new design;
FIG. 4 is a back view of the counter top appliance stand showing my new design;
FIG. 5 is a right side view of the counter top appliance stand showing my new design;
FIG. 6 is a left side view of the counter top appliance stand showing my new design;
FIG. 7 is a top plan view of the counter top appliance stand showing my new design; and,
FIG. 8 is a bottom plan view of the counter top appliance stand showing my new design.

1 Claim, 6 Drawing Sheets



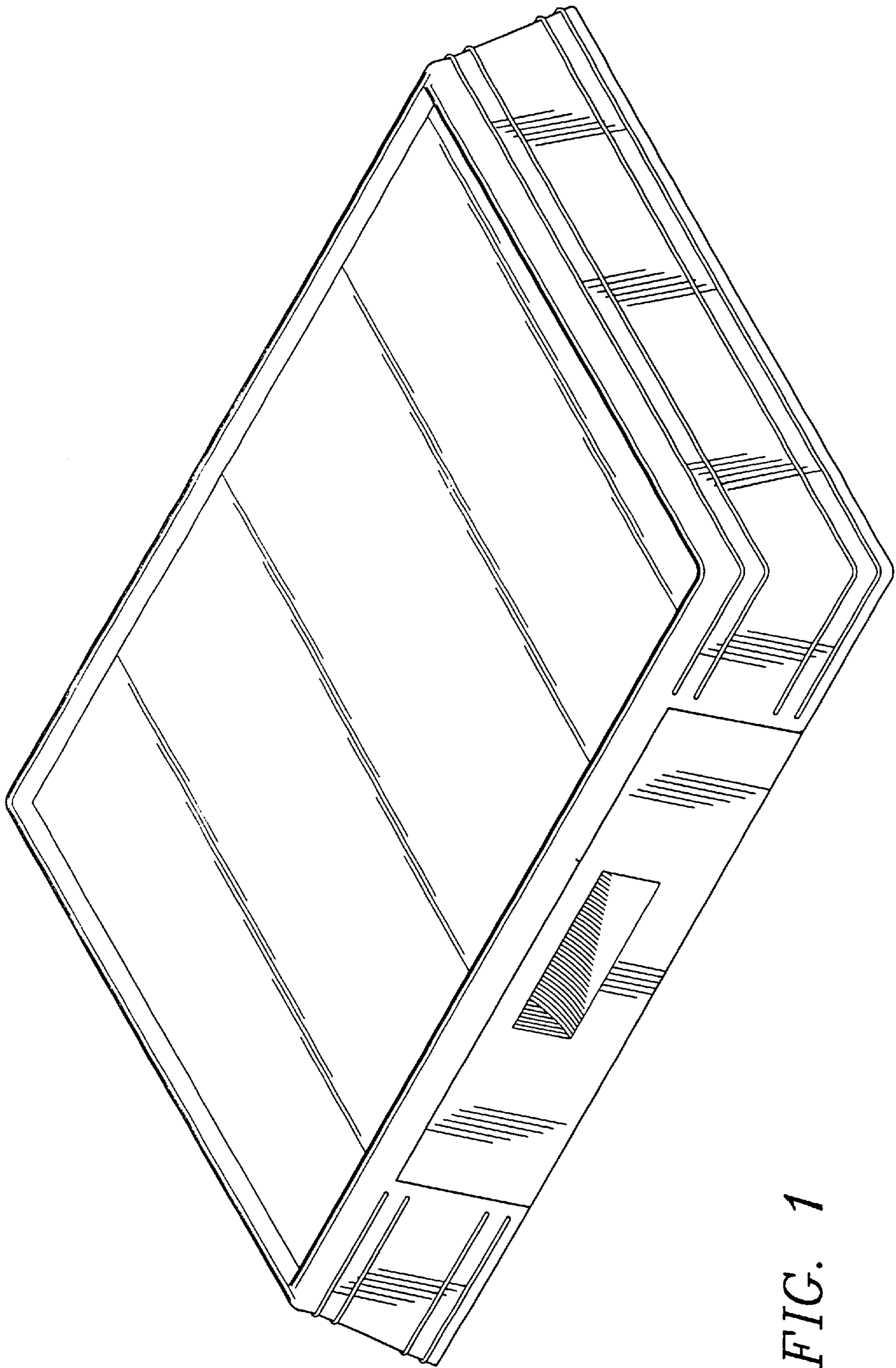


FIG. 1

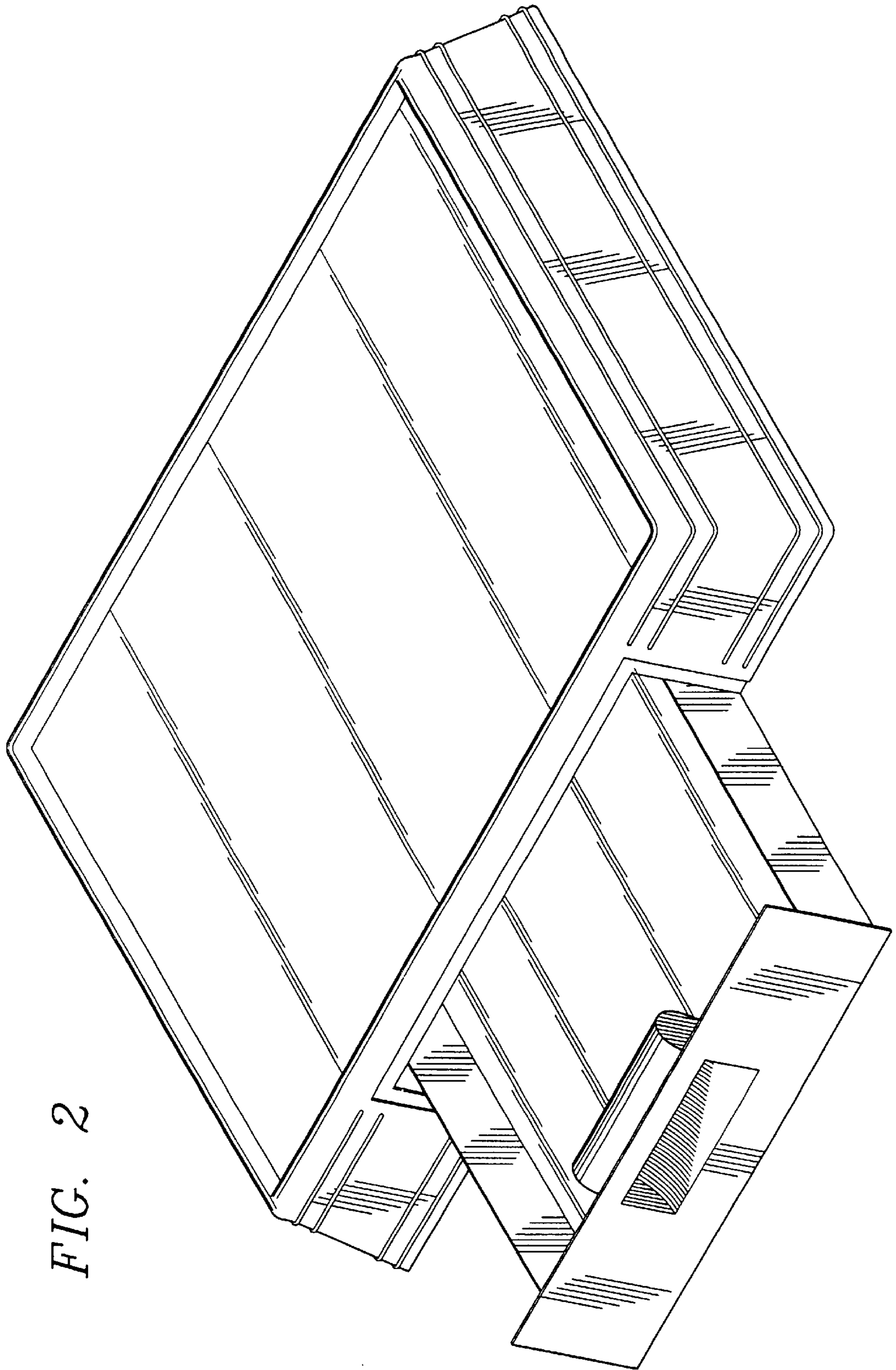


FIG. 2

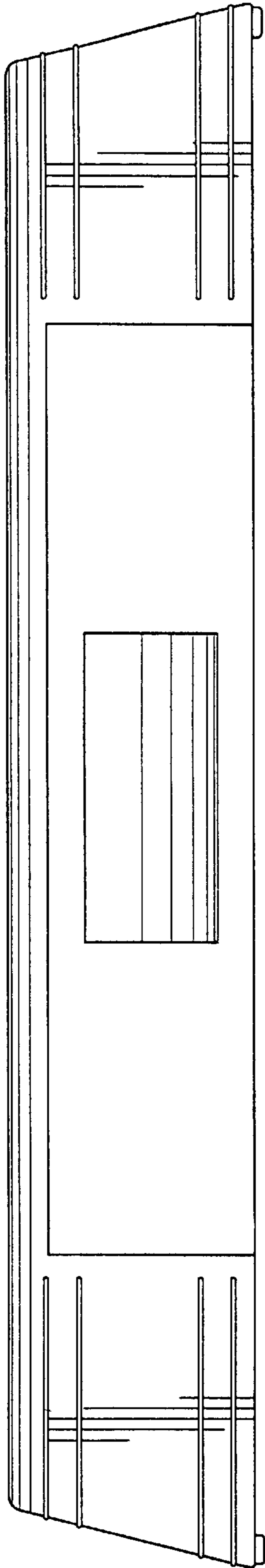


FIG. 3

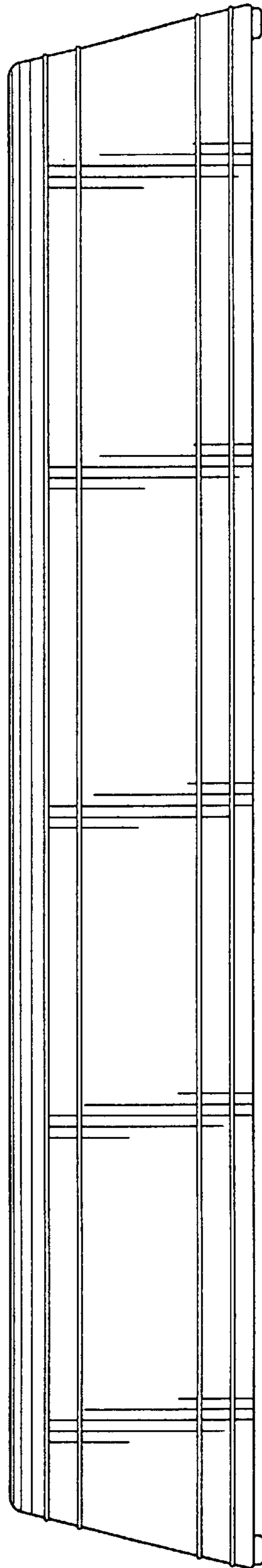


FIG. 4

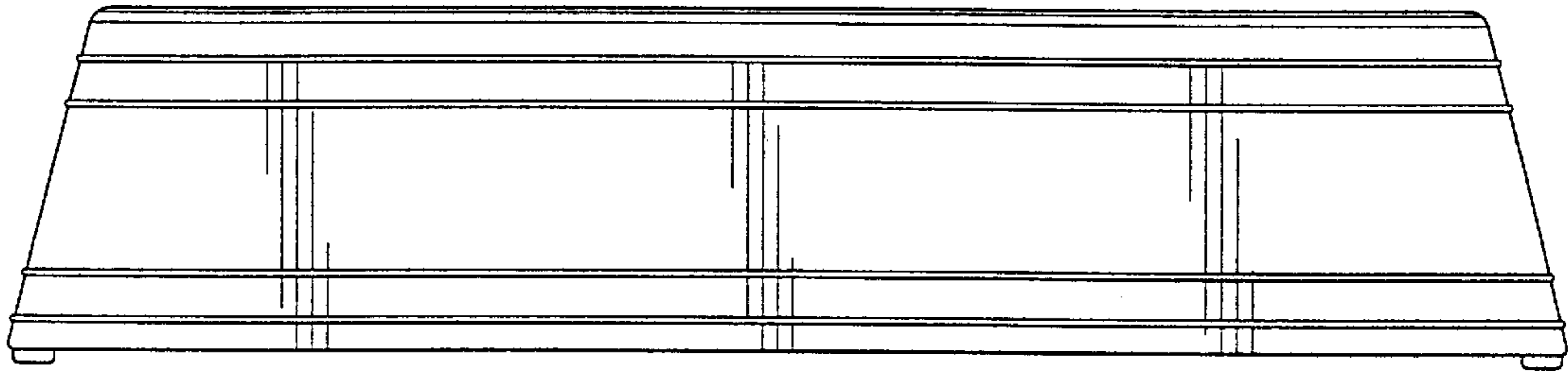


FIG. 5

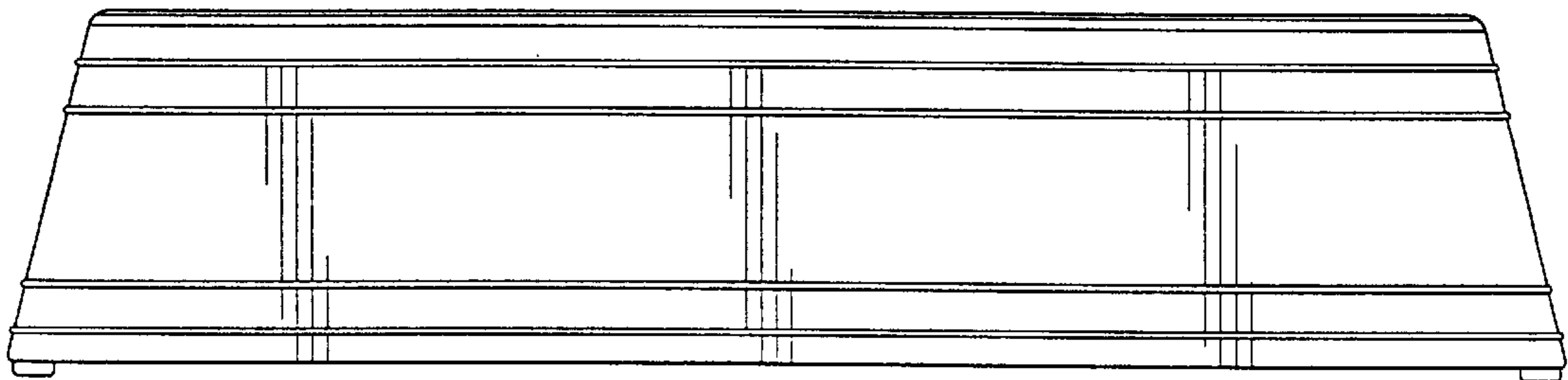


FIG. 6

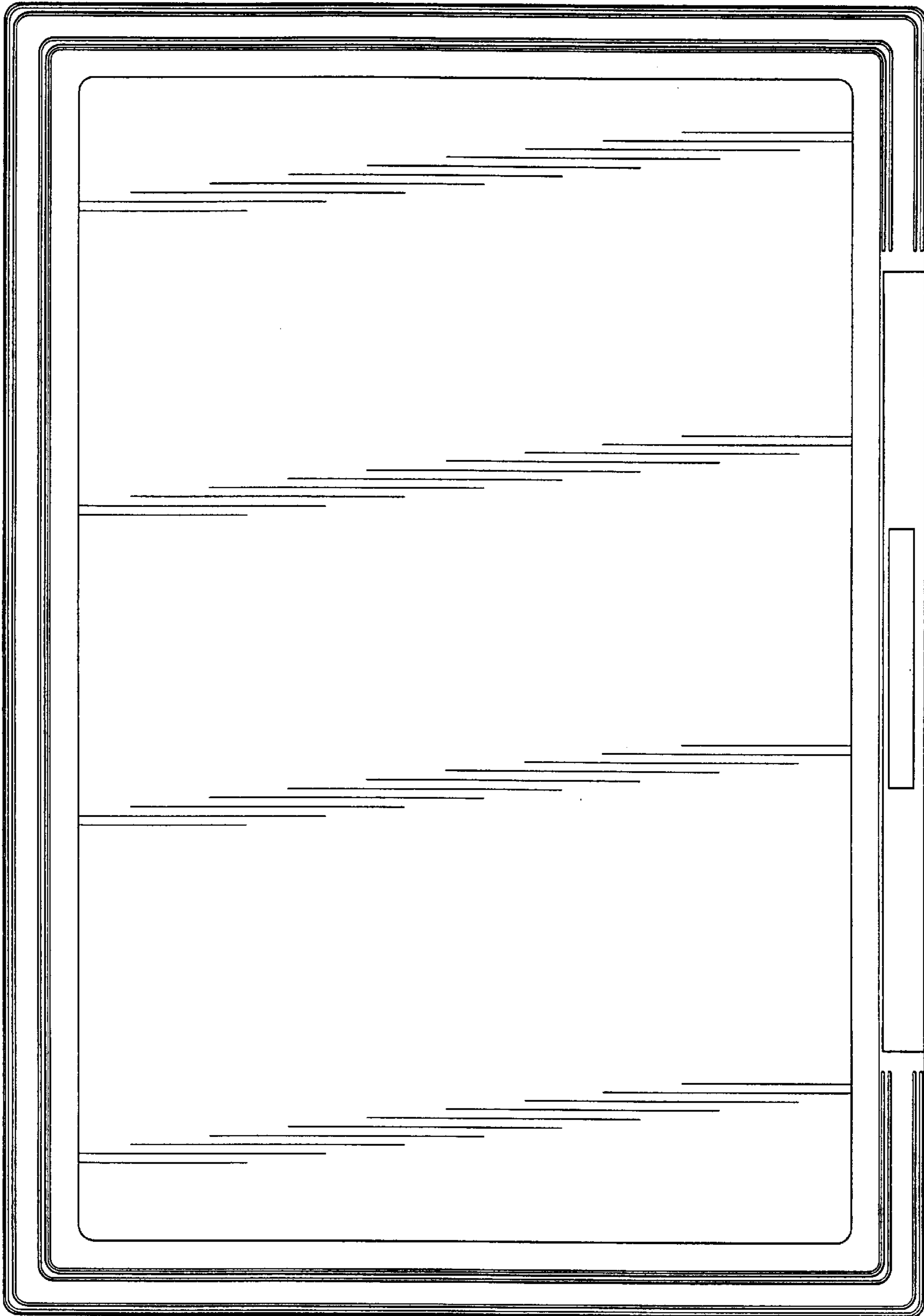


FIG. 7

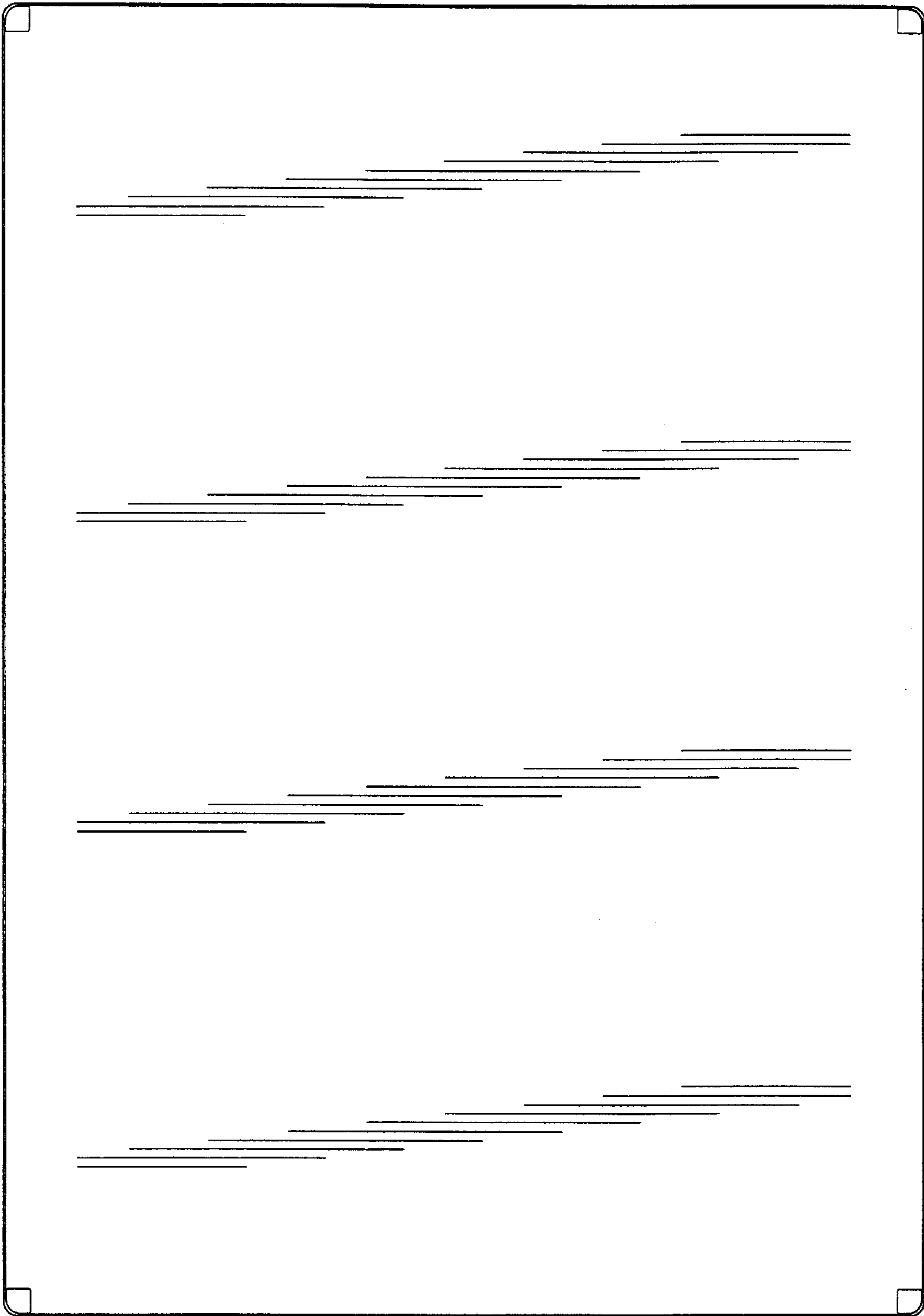


FIG. 8