



US00D444994S

(12) **United States Design Patent**  
**Kalina et al.**

(10) **Patent No.:** **US D444,994 S**

(45) **Date of Patent:** **\*\* Jul. 17, 2001**

(54) **COOKER**

(75) Inventors: **Lawrence A. Kalina**, Eau Claire, WI (US); **Richard C. Schoenert**, Sherwood, OR (US)

(73) Assignee: **National Presto Industries, Inc.**, Eau Claire, WI (US)

(\*\*) Term: **14 Years**

(21) Appl. No.: **29/133,274**

(22) Filed: **Nov. 27, 2000**

(51) **LOC (7) Cl.** ..... **07-02**

(52) **U.S. Cl.** ..... **D7/360**

(58) **Field of Search** ..... D7/323, 354-360; 99/324, 336, 341, 403; 220/573.1

(56) **References Cited**

**U.S. PATENT DOCUMENTS**

D. 182,786	*	5/1958	Boldt	.....	D7/360
D. 246,686		12/1977	Boldt	.....	D7/354
D. 250,385		11/1978	Babros et al.	.	
D. 267,388	*	12/1982	Spoeth, Jr. et al.	.....	D7/360
D. 284,257	*	6/1986	Greb et al.	.....	D7/355
D. 292,362		10/1987	Oh	.....	D7/360
D. 300,598	*	4/1989	Ueda et al.	.....	D7/360

D. 376,724	12/1996	Mendelson et al.	.....	D7/360
4,052,590	10/1977	Anderl et al.	.	
4,115,918	9/1978	Anderl et al.	.	

**OTHER PUBLICATIONS**

Photographs of a FRY DADDY® deep fryer by National Presto Industries, Inc.  
Copy of U.S. Design application No. 29/117,211. U.S. Pat. No. D. 431,150.

\* cited by examiner

*Primary Examiner*—Caron D. Veynar

(74) *Attorney, Agent, or Firm*—Merchant & Gould P.C.

(57) **CLAIM**

The ornamental design for a cooker, as shown and described.

**DESCRIPTION**

FIG. 1 is a perspective view of a cooker showing our new design;

FIG. 2 is a front elevational view thereof, the rear elevational view being a mirror image;

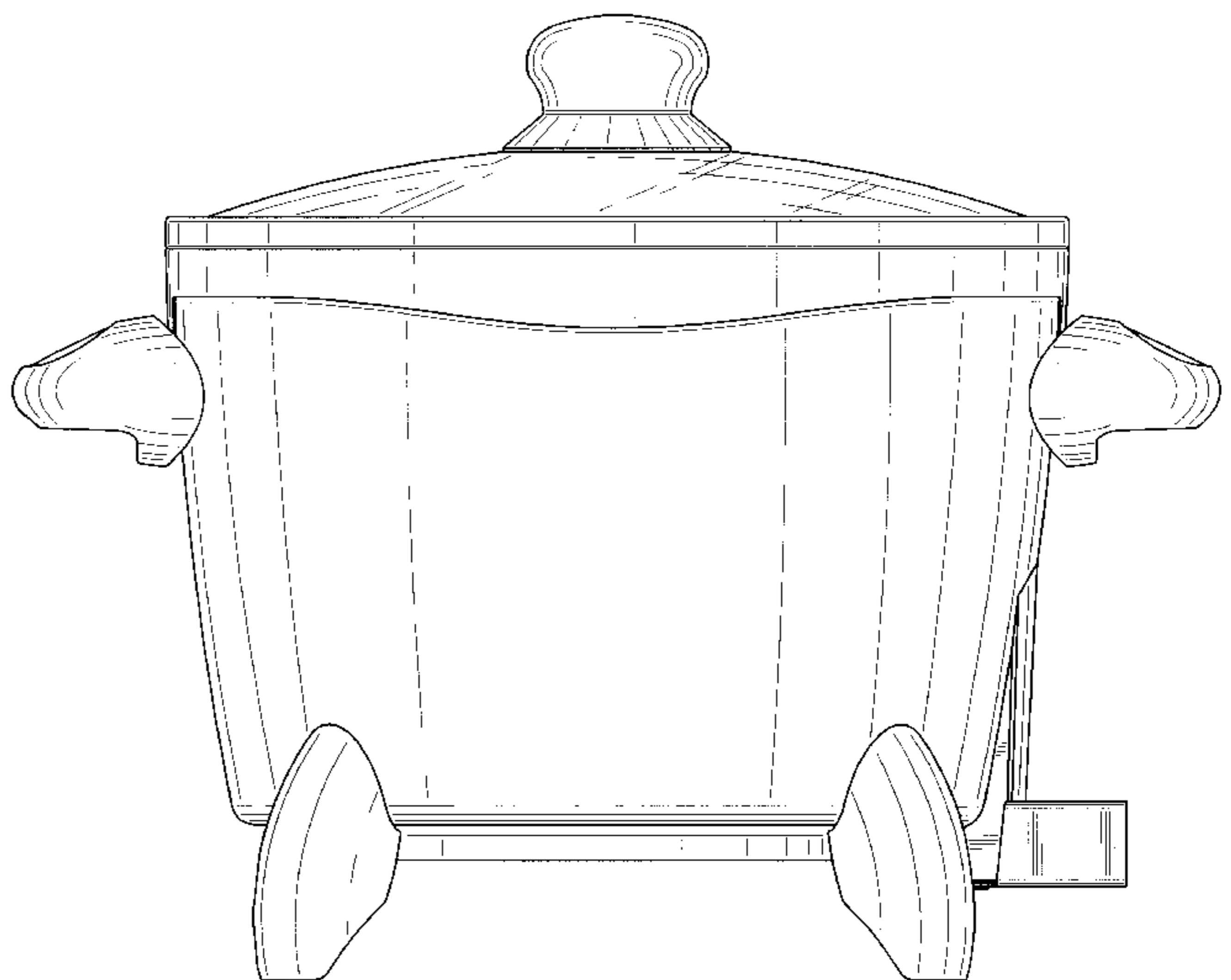
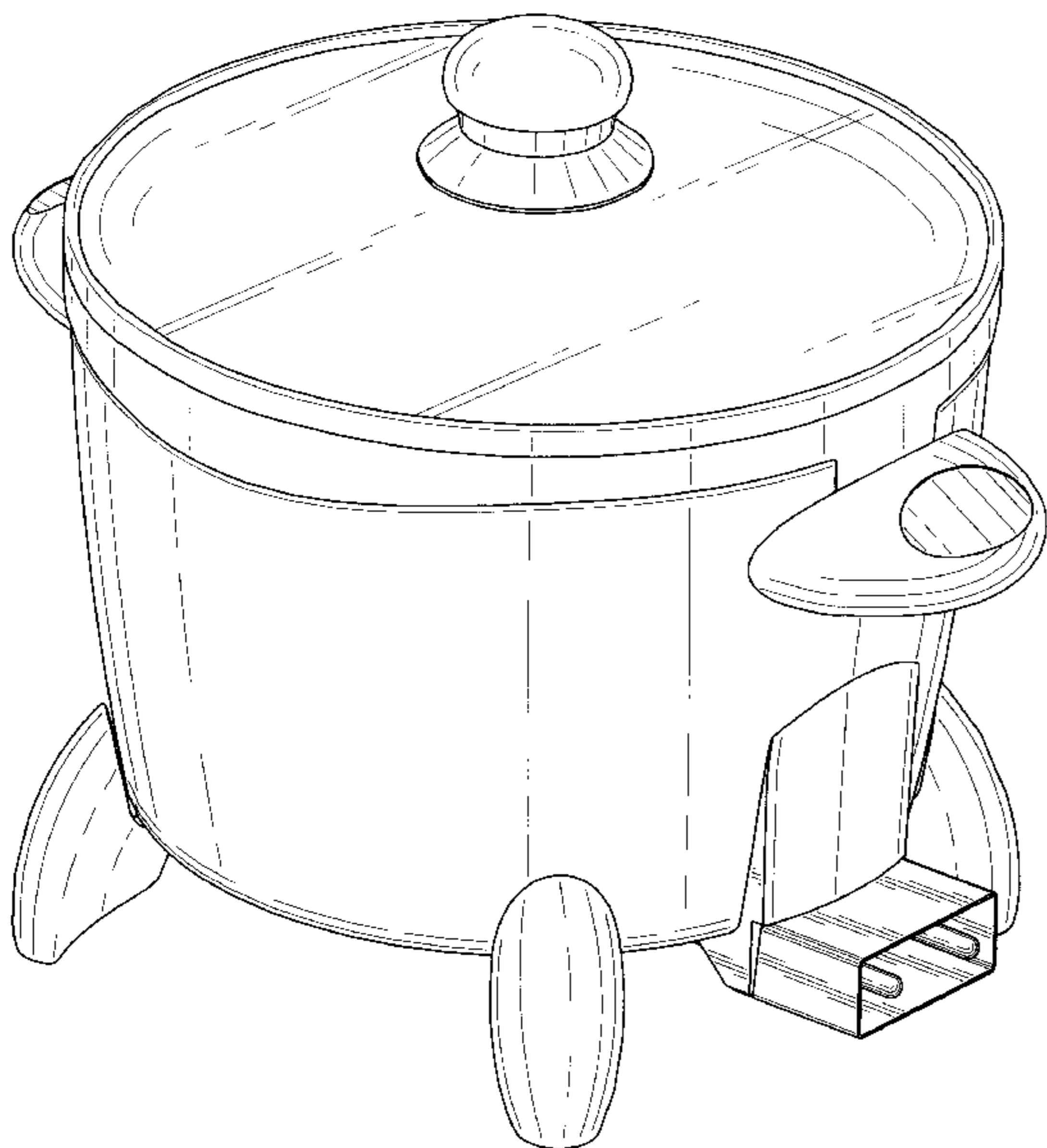
FIG. 3 is a top plan view thereof;

FIG. 4 is a bottom plan view thereof;

FIG. 5 is a left elevational side view thereof; and,

FIG. 6 is a right elevational side view thereof.

**1 Claim, 6 Drawing Sheets**



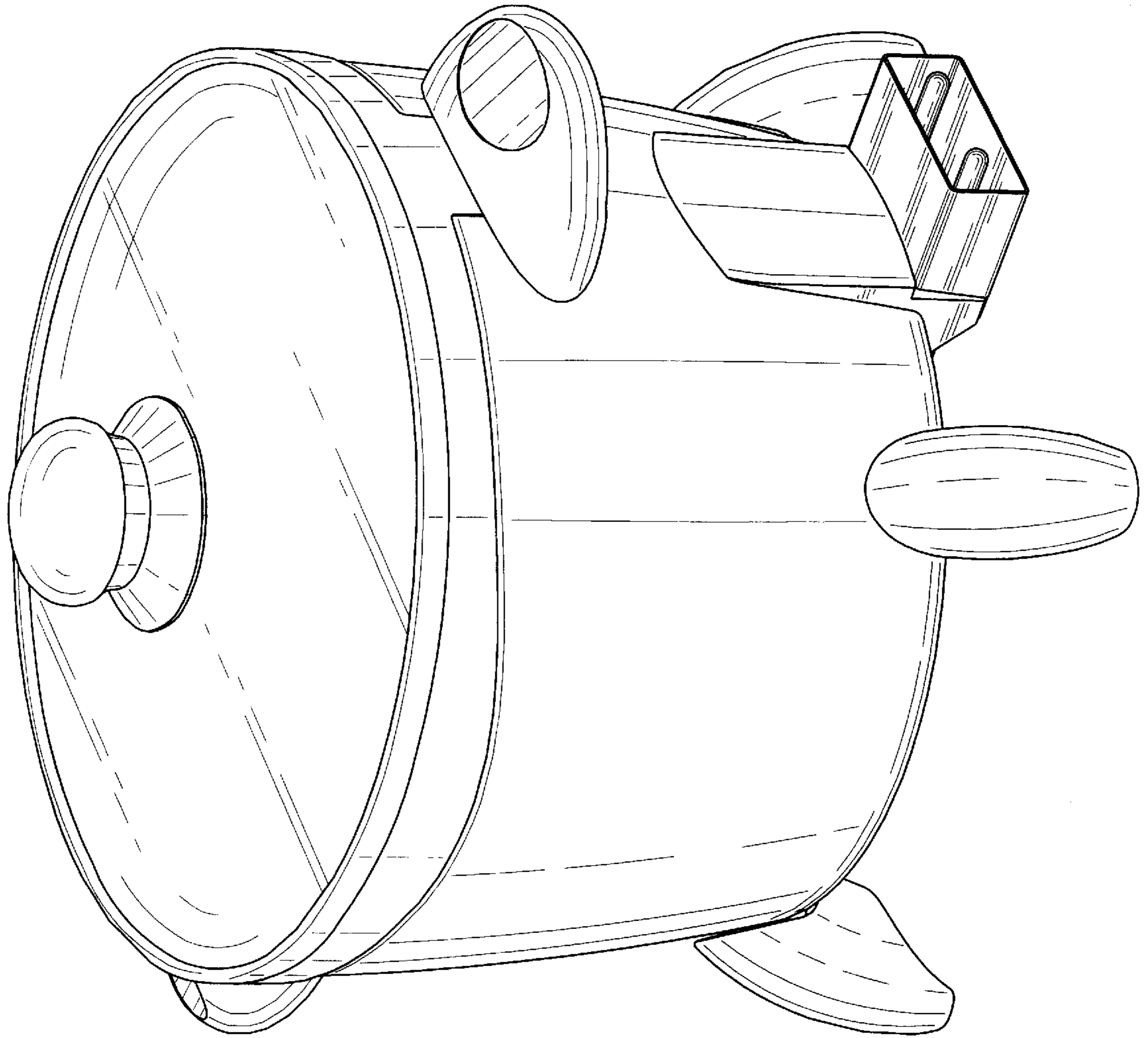


FIG. 1

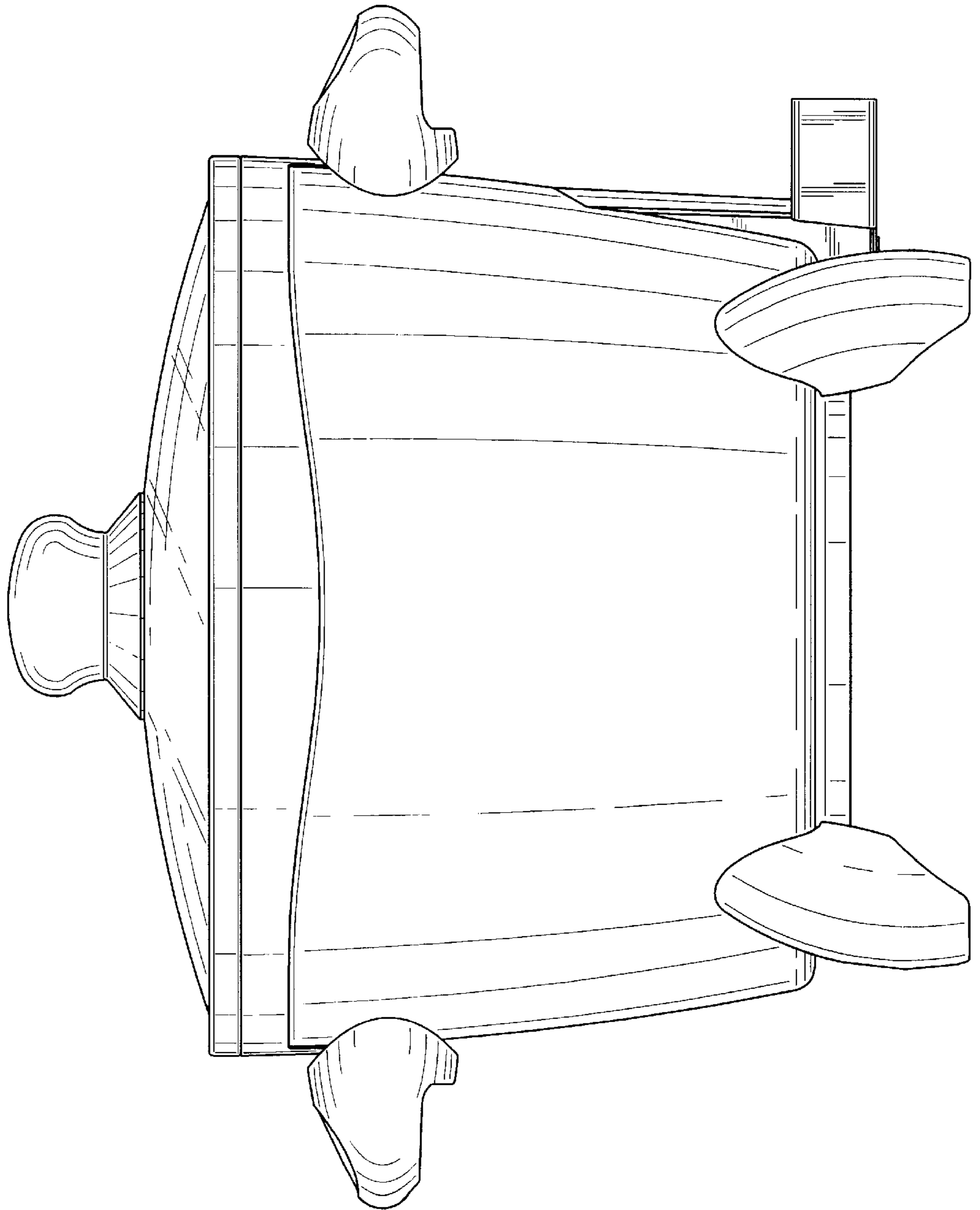


FIG. 2

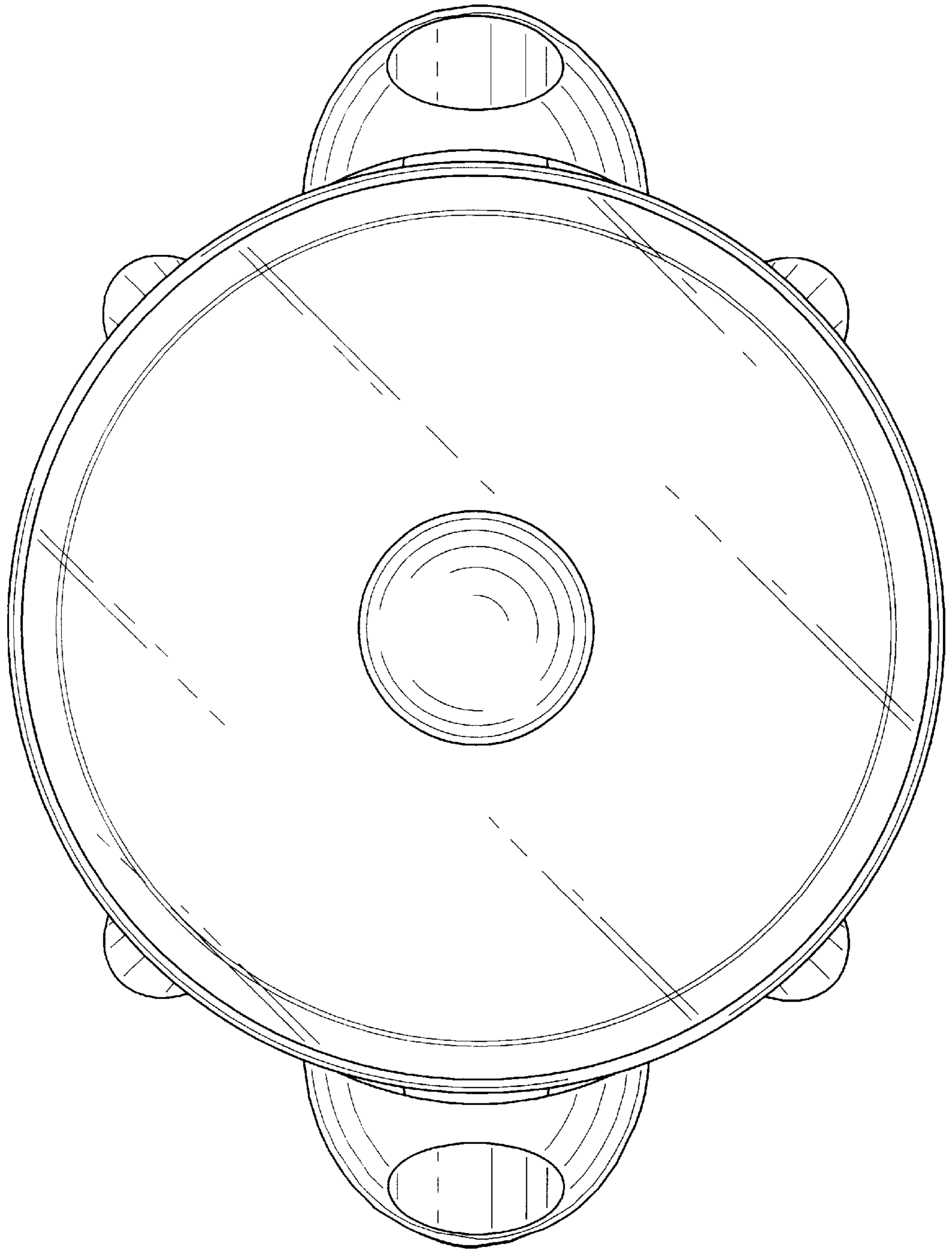


FIG. 3



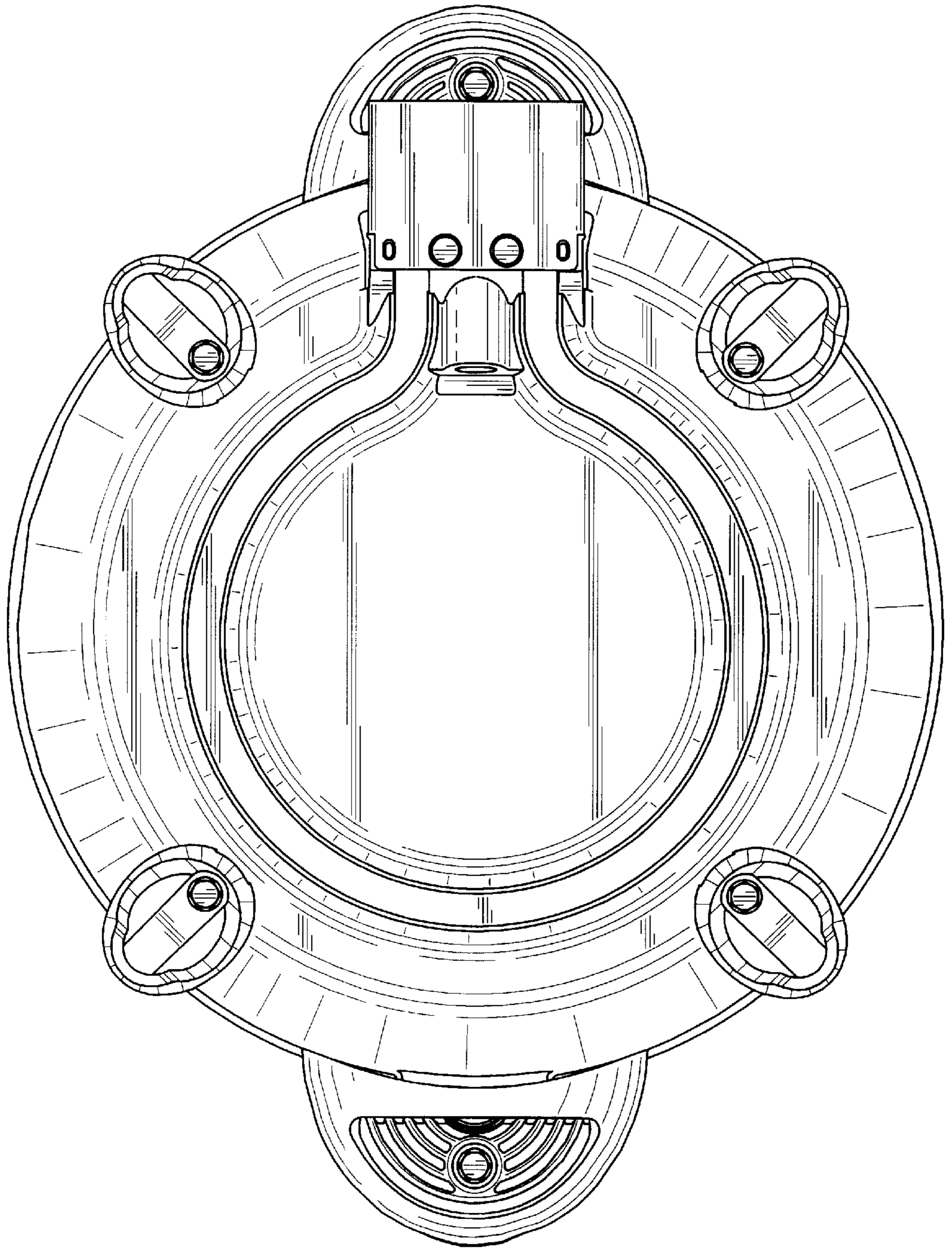


FIG. 4

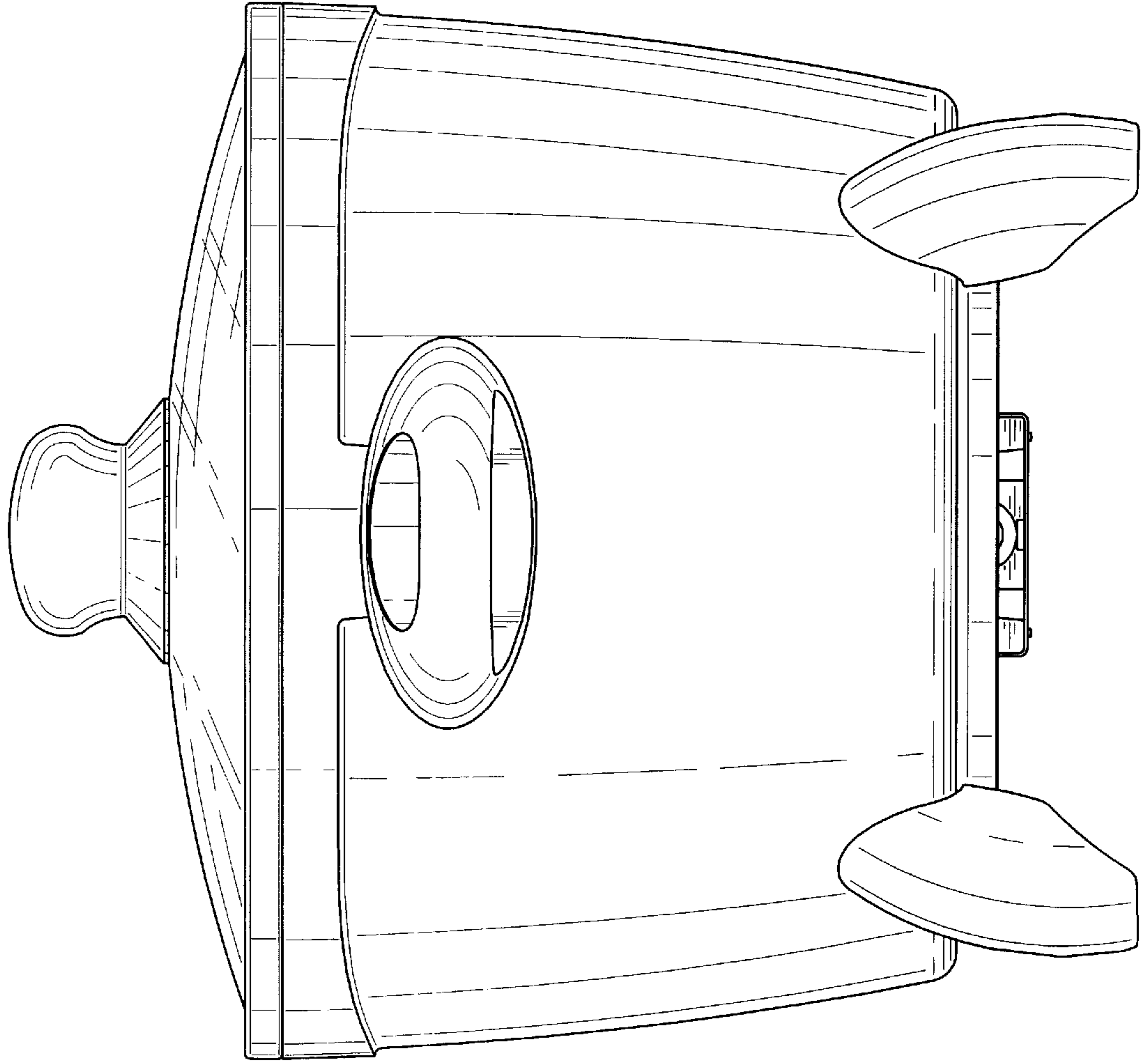


FIG. 5

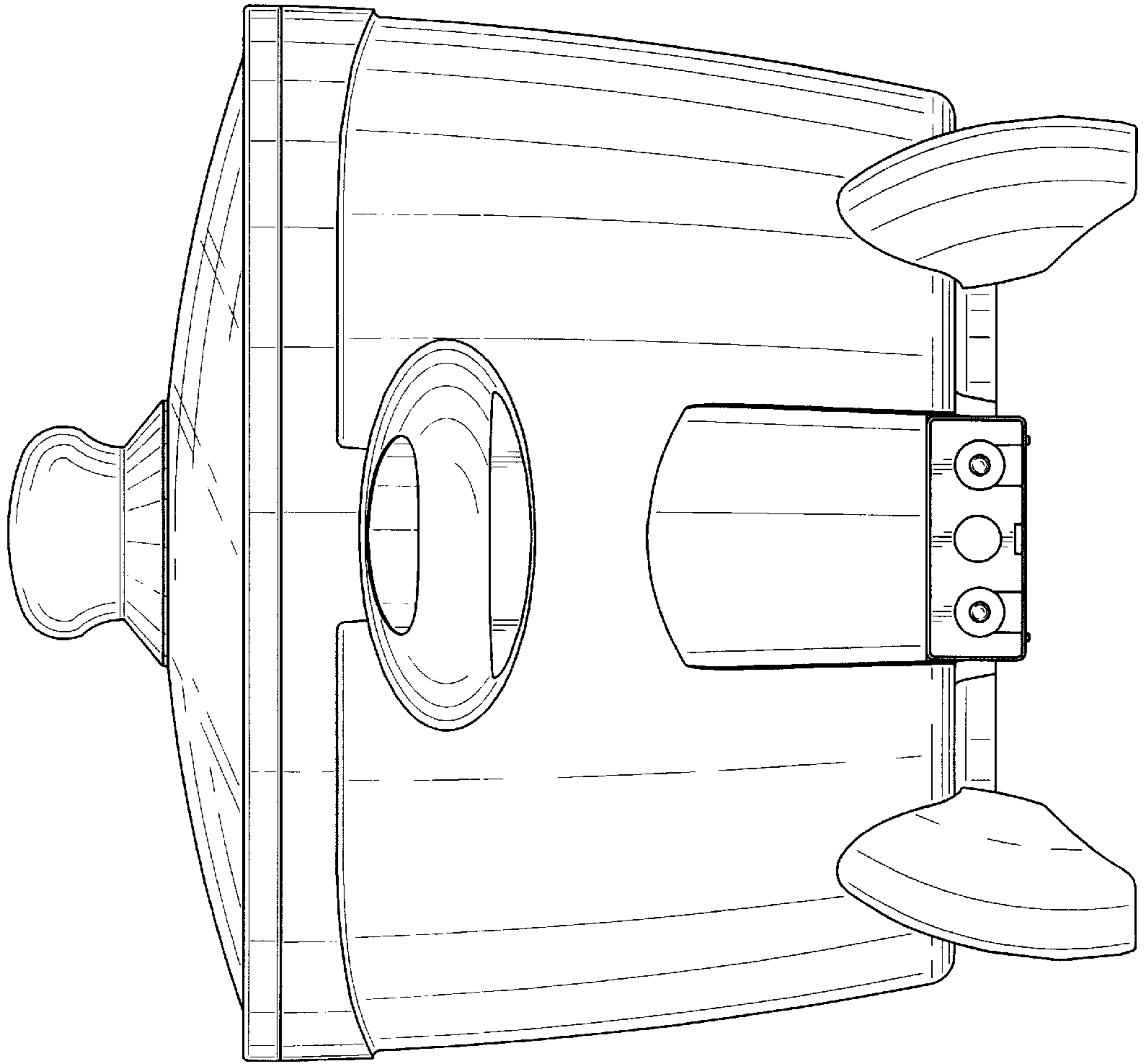


FIG. 6