



US00D444992S

(12) **United States Design Patent** (10) **Patent No.:** **US D444,992 S**
Brady et al. (45) **Date of Patent:** **** *Jul. 17, 2001**

(54) **TOASTER OVEN**

(75) Inventors: **Martin Brady**, Chesterfield, VA (US);
Anthony V. Cruz, Calabasas, CA (US)

(73) Assignee: **Hamilton Beach/Proctor-Silex, Inc.**,
Glen Allen, VA (US)

(**) Term: **14 Years**

(21) Appl. No.: **29/106,624**

(22) Filed: **Jun. 17, 1999**

(51) **LOC (7) Cl.** **07-02**

(52) **U.S. Cl.** **D7/350**

(58) **Field of Search** D7/348, 350-351,
D7/354, 402, 323, 360; 126/273 R, 275 R,
275 E, 19 M, 19 R, 21 A; 219/678, 680,
756-758, 400; 99/421 H, 419, 427, 426

(56) **References Cited**

U.S. PATENT DOCUMENTS

D. 299,306	*	1/1989	Yoshida	D7/351
D. 300,711	*	4/1989	Moritani	D7/351
D. 301,428		6/1989	Viancin	.	
D. 309,078	*	7/1990	Kokubo	D7/351
D. 336,814		6/1993	Brookshire	.	
D. 380,643		7/1997	Piret	.	
D. 381,861		8/1997	Rorke et al.	.	
D. 386,938	*	12/1997	Piret	D7/350
D. 403,201		12/1998	Cruz et al.	.	
D. 412,637	*	8/1999	Piret	D7/350
D. 415,926	*	11/1999	De'Longhi	D7/350
D. 420,245	*	2/2000	De'Longhi	D7/351
D. 425,749	*	5/2000	Homayoun et al.	D7/350
4,413,173		11/1983	Grove et al.	.	

OTHER PUBLICATIONS

Cruz, drawings and specification of U.S. design application No. 29/105,823, filed Jun. 3, 1999.

Photocopy of catalog page showing toaster oven embodying design of the instant application and sold beginning within one year prior to Jun. 17, 1999.

Photocopy of catalog page showing toaster oven embodying design of copending application 29/105,823 and sold beginning within one year prior to Jun. 17, 1999.

* cited by examiner

Primary Examiner—Ruth McInroy

(74) *Attorney, Agent, or Firm*—Roger S. Dybvig

(57) **CLAIM**

The ornamental design for toaster oven, as shown and described.

DESCRIPTION

FIG. 1 is a perspective view as seen from the top, front, and right side of a toaster oven showing our new design;

FIG. 2 is a front elevational view thereof;

FIG. 3 is a top plan view thereof;

FIG. 4 is a rear elevational view thereof;

FIG. 5 is a right side elevational plan view thereof;

FIG. 6 is a left side elevational view thereof;

FIG. 7 is a bottom view thereof;

FIG. 8 is a perspective view as seen from the top, front, and right side of a second embodiment thereof;

FIG. 9 is a front elevational view thereof;

FIG. 10 is a top plan view thereof;

FIG. 11 is a rear elevational view thereof;

FIG. 12 is a right side elevational view thereof;

FIG. 13 is a left side elevational view thereof; and,

FIG. 14 is a bottom plan view thereof.

The power cord in FIGS. 1 and 8 and the control knobs in FIG. 8 are shown in broken lines for illustrative purposes only and form no part of the claimed design.

1 Claim, 6 Drawing Sheets

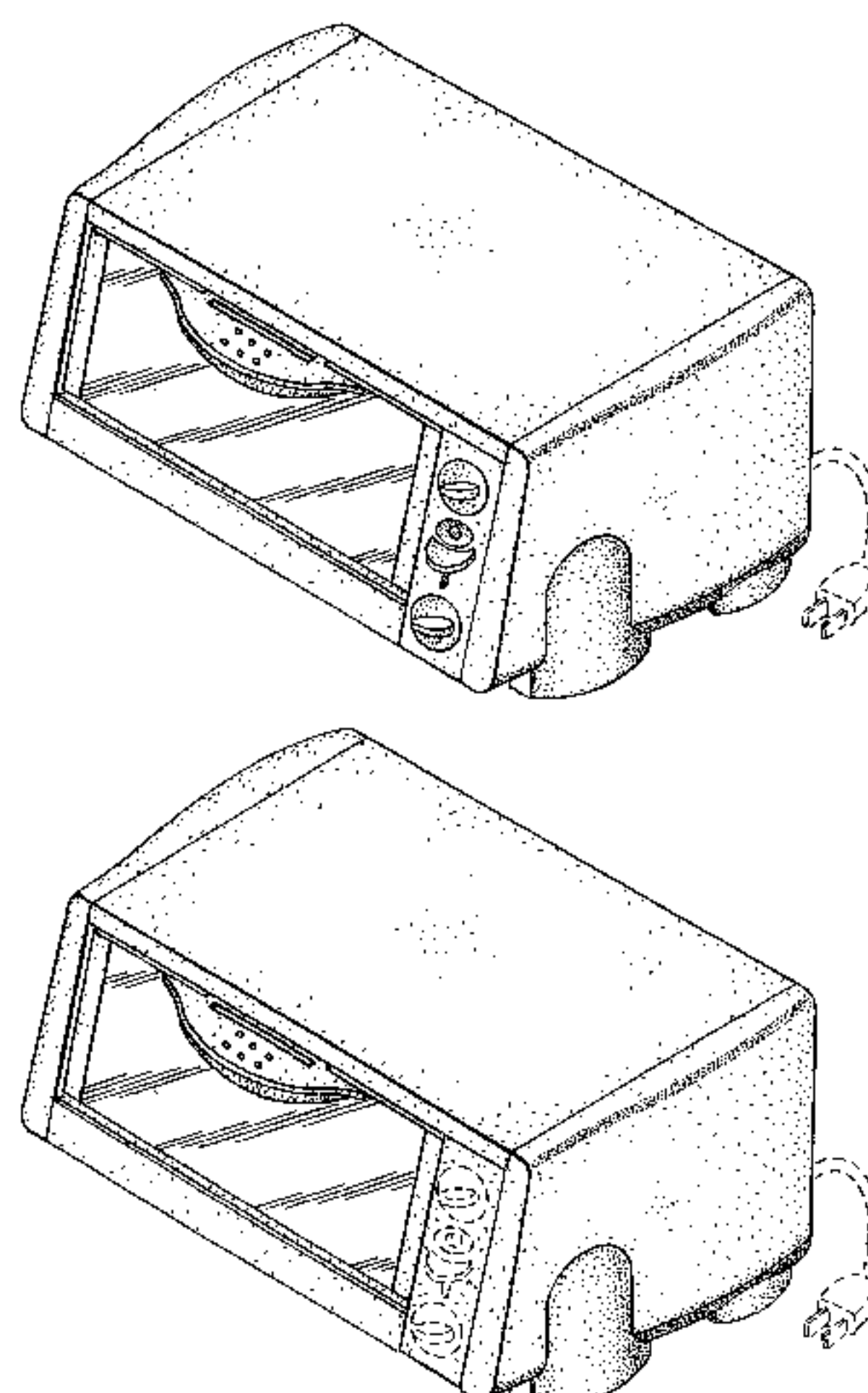


FIG-1

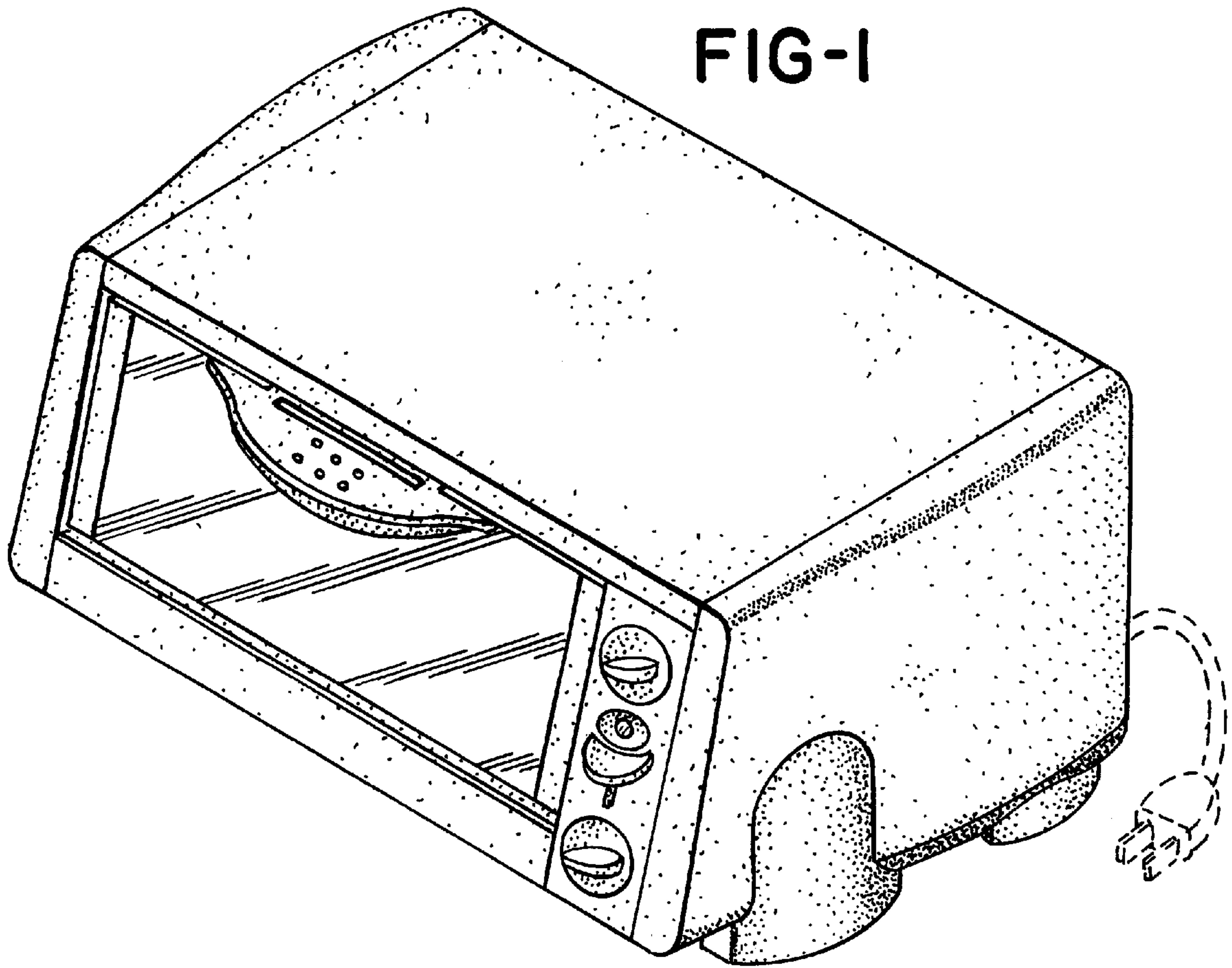


FIG-2

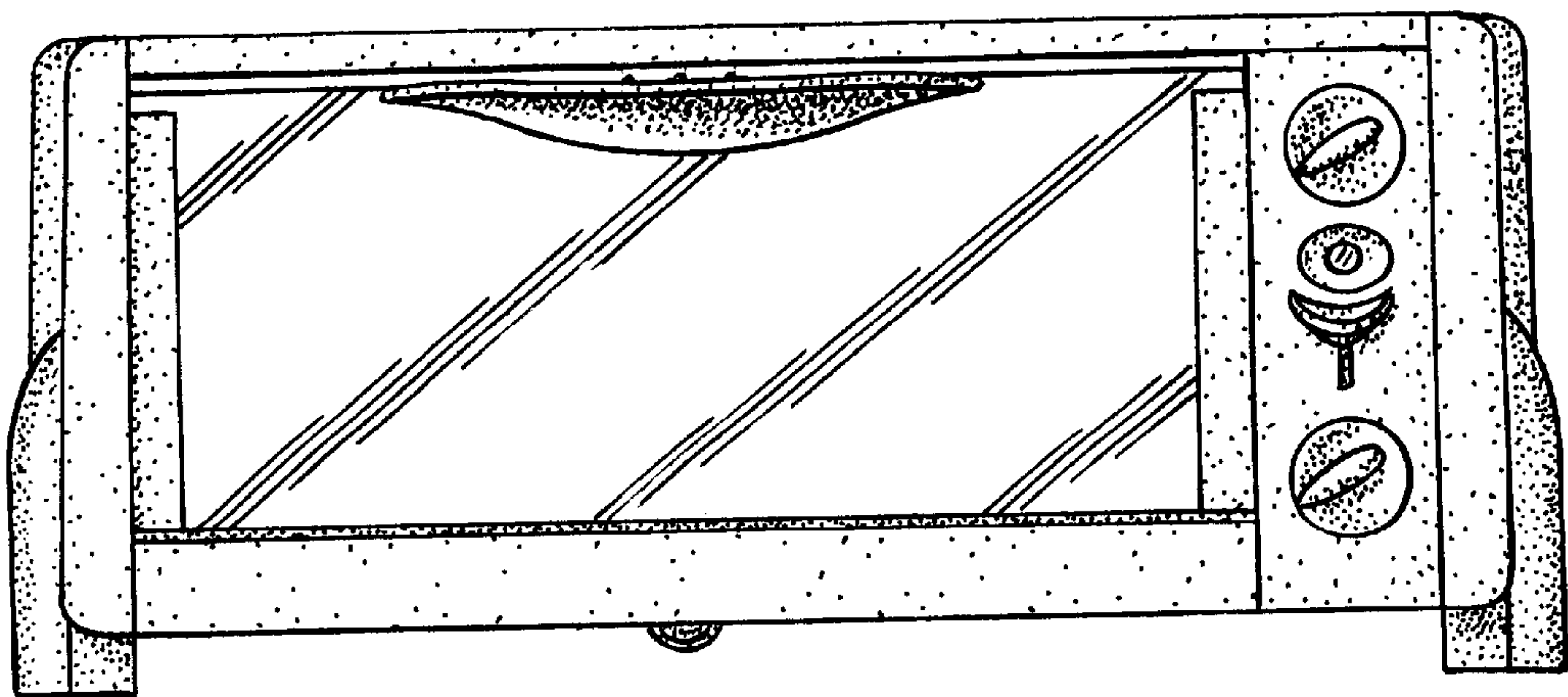


FIG-3

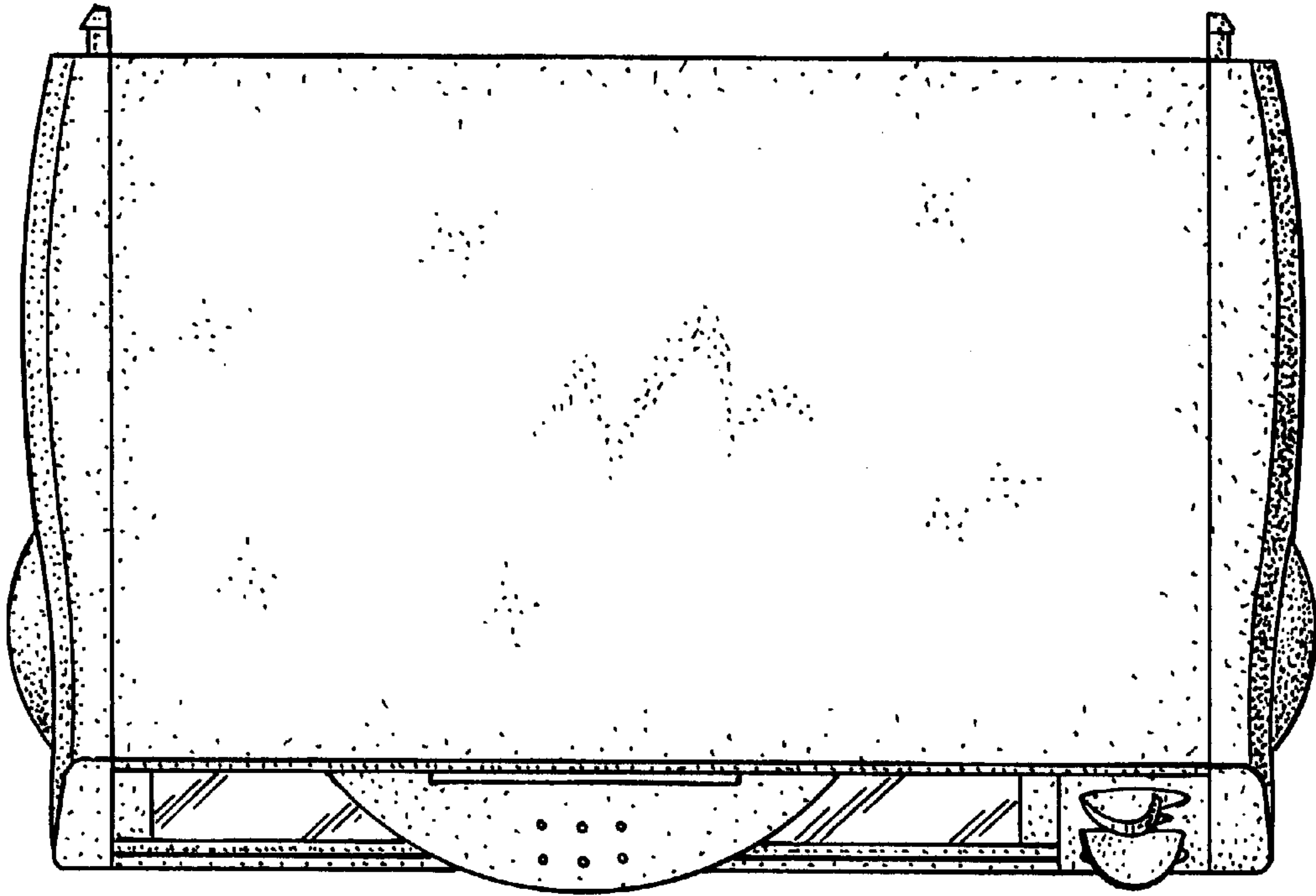


FIG-4

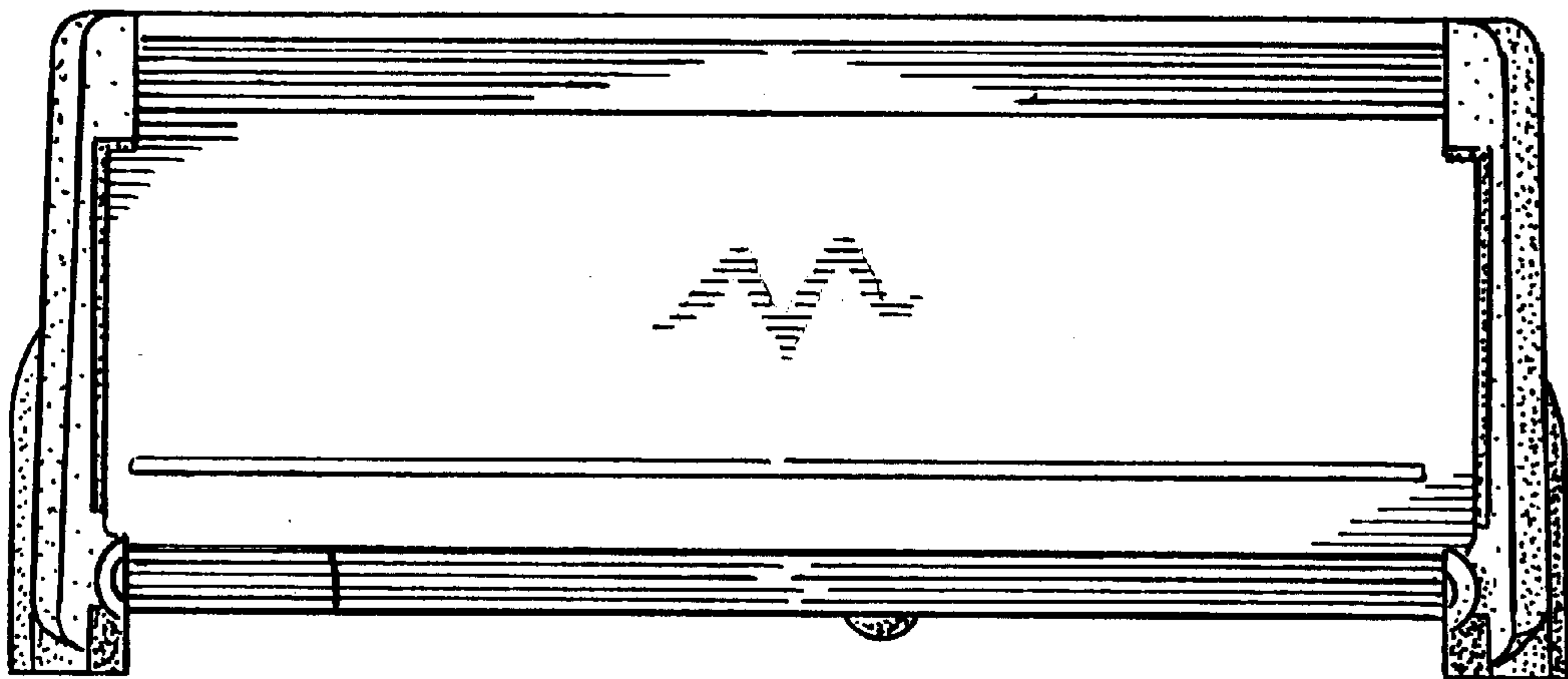


FIG-5

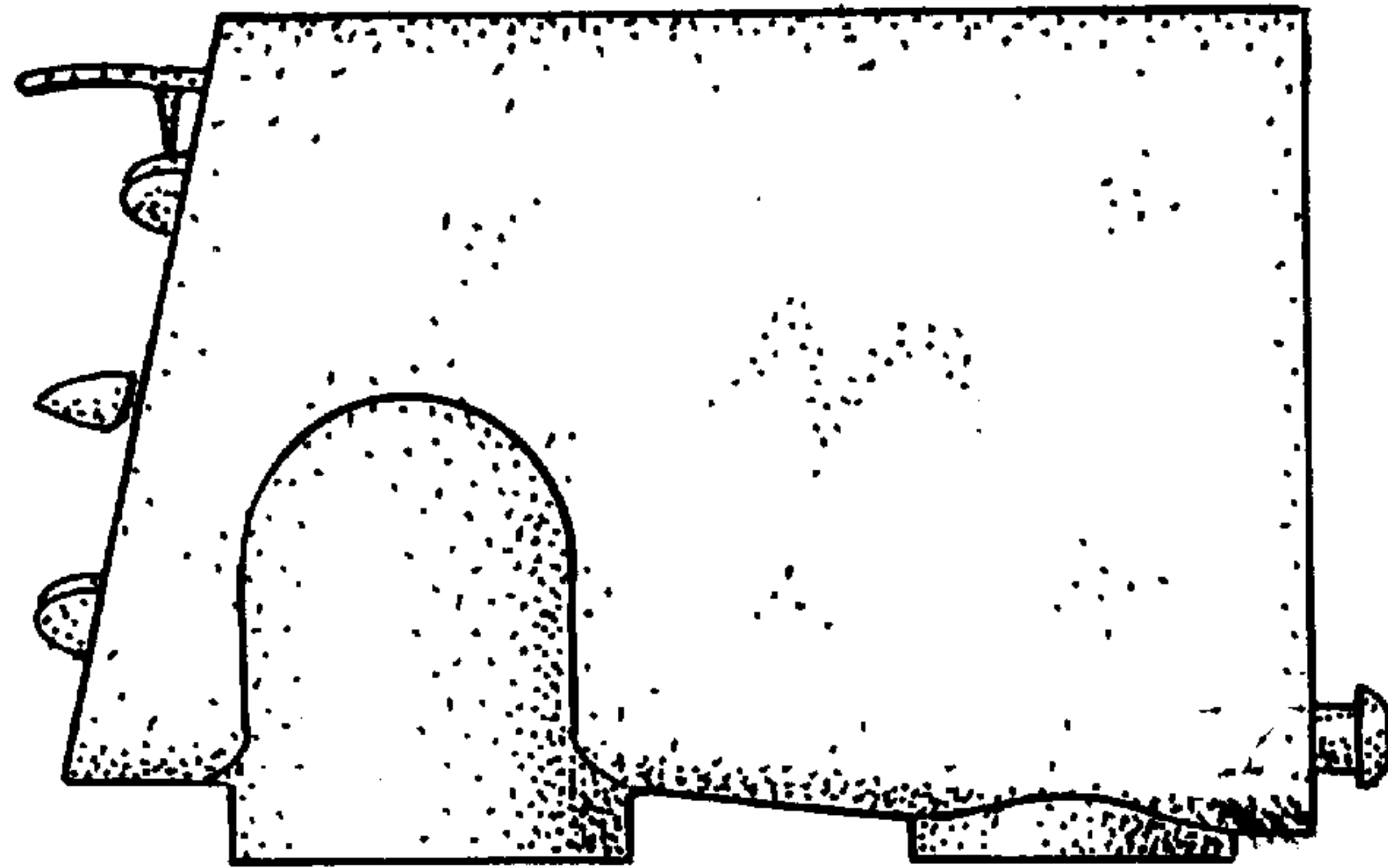


FIG-6

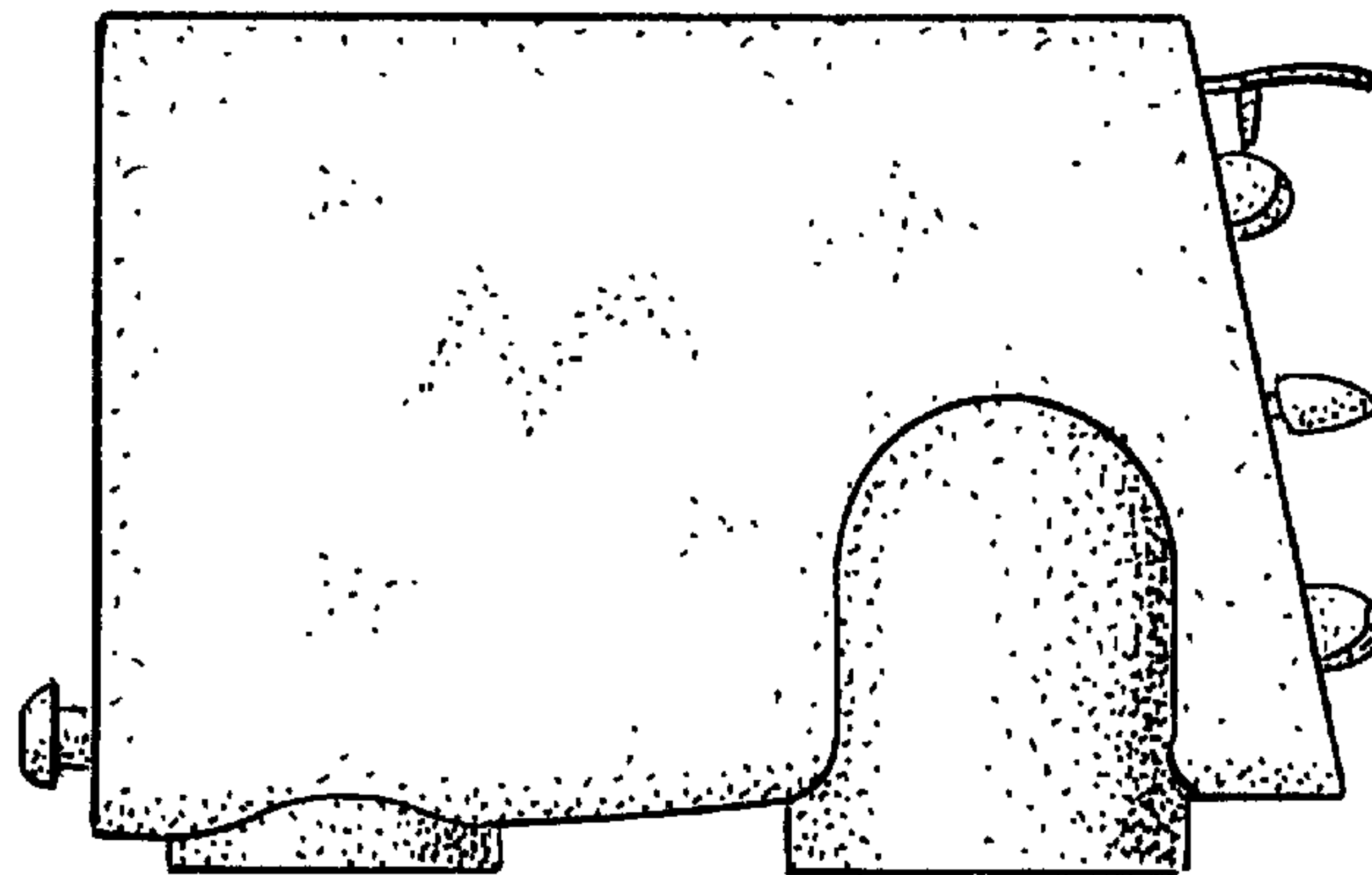
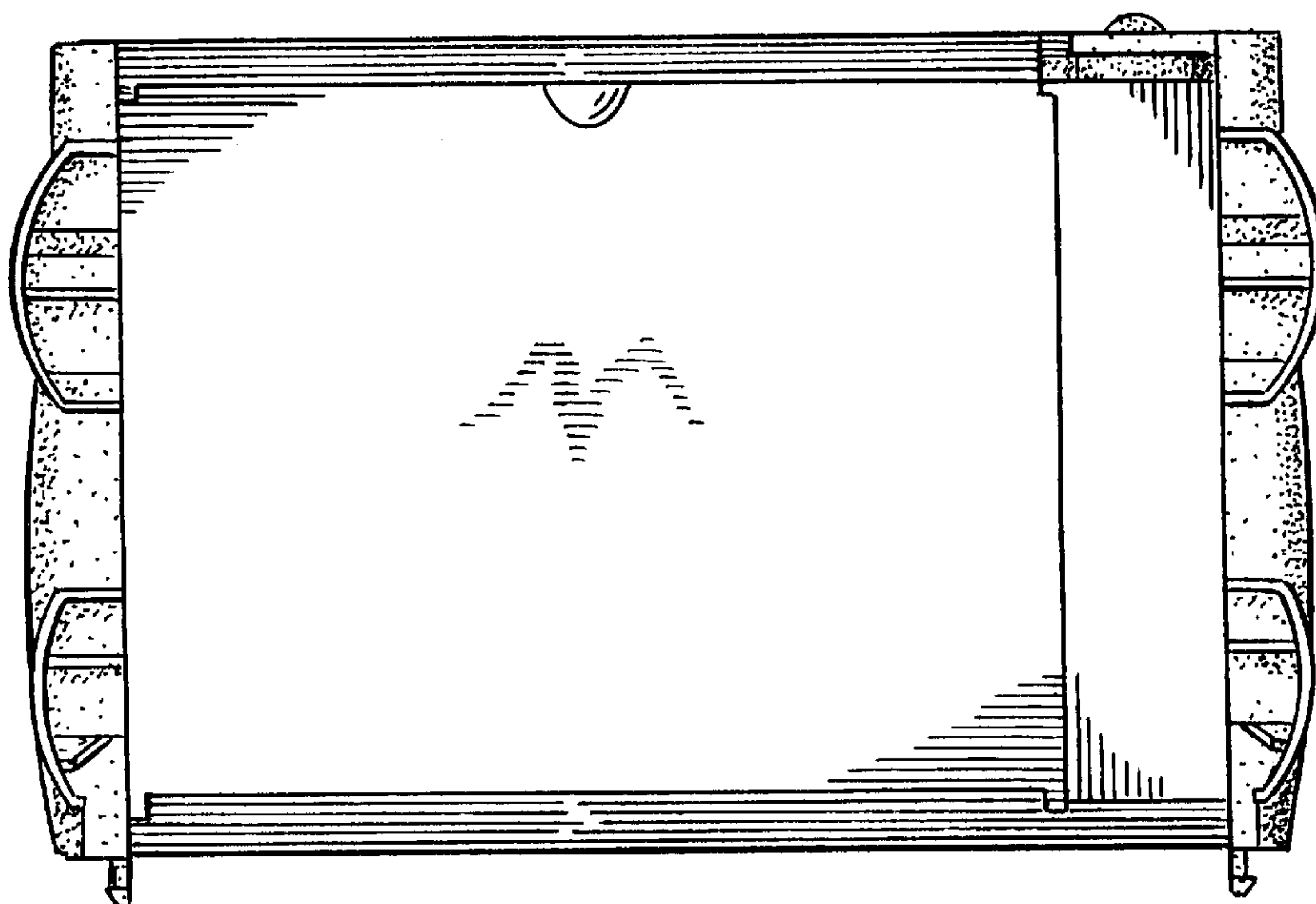


FIG-7



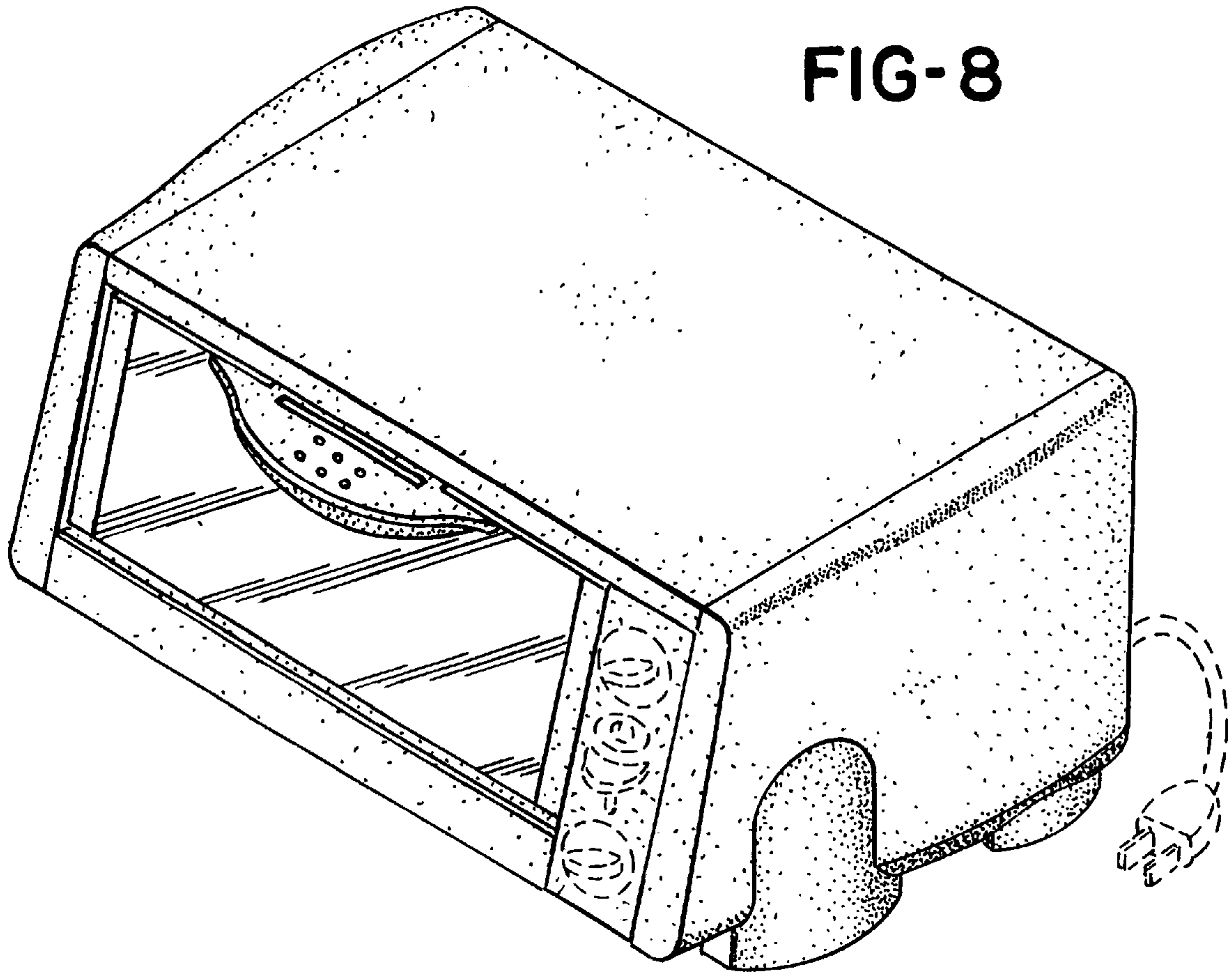


FIG-9

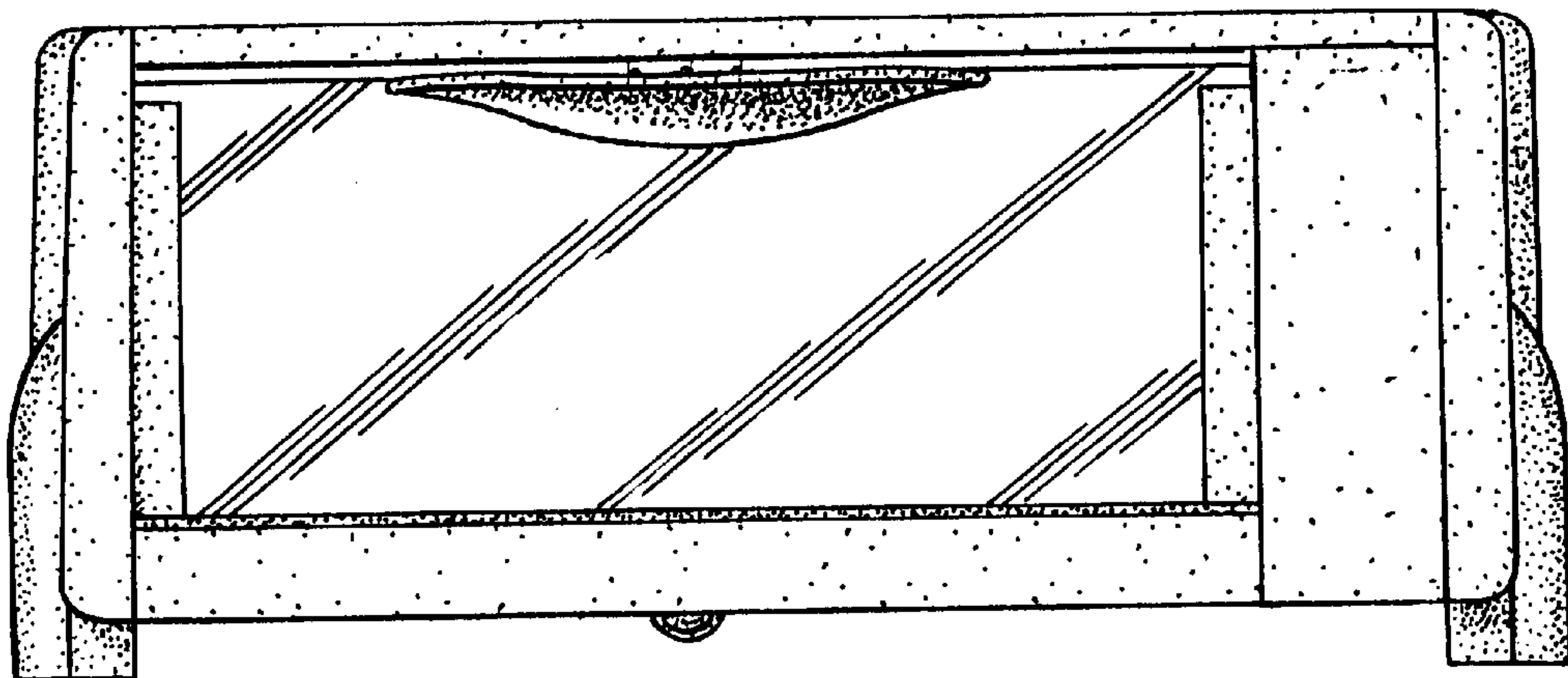


FIG-10

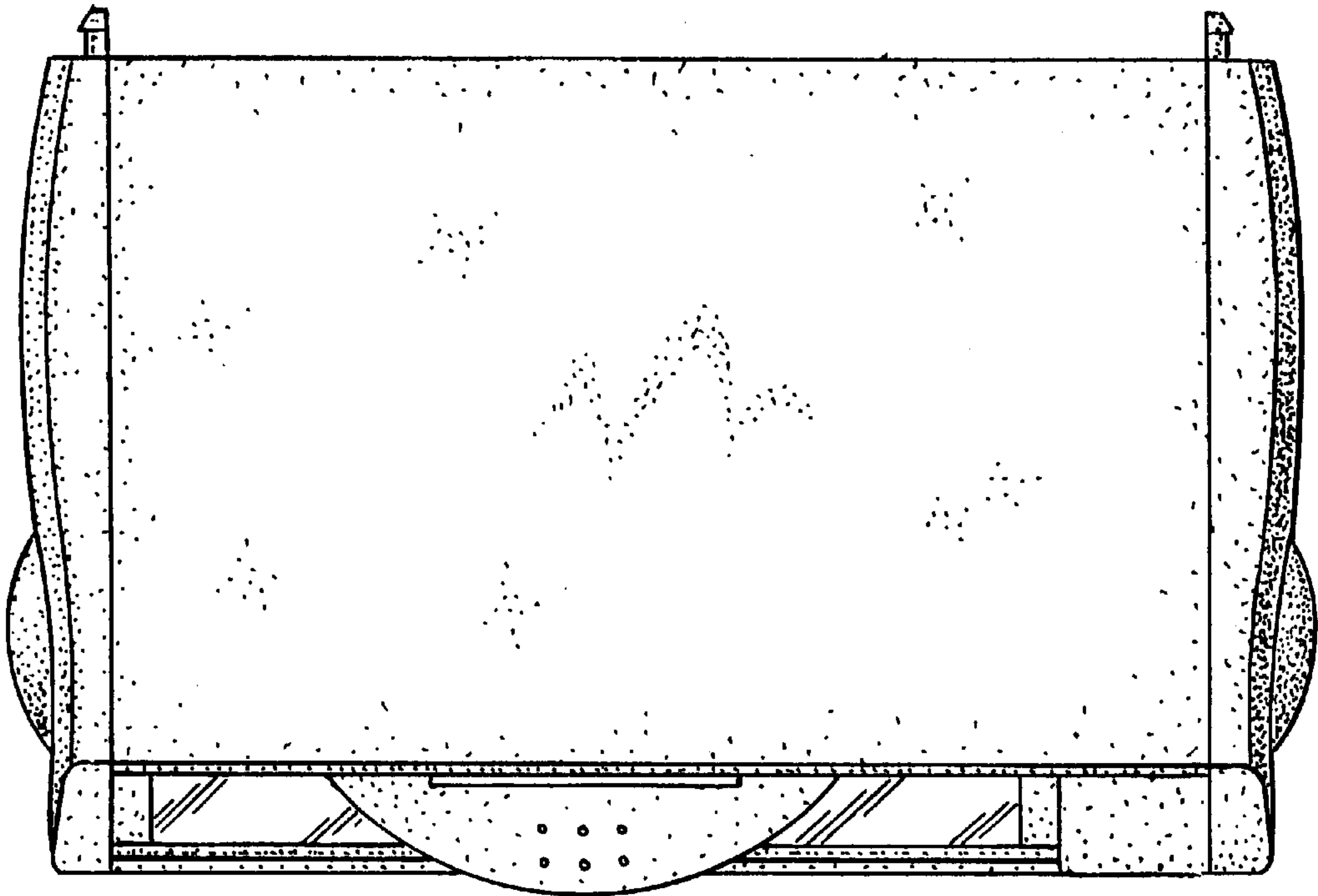


FIG-11

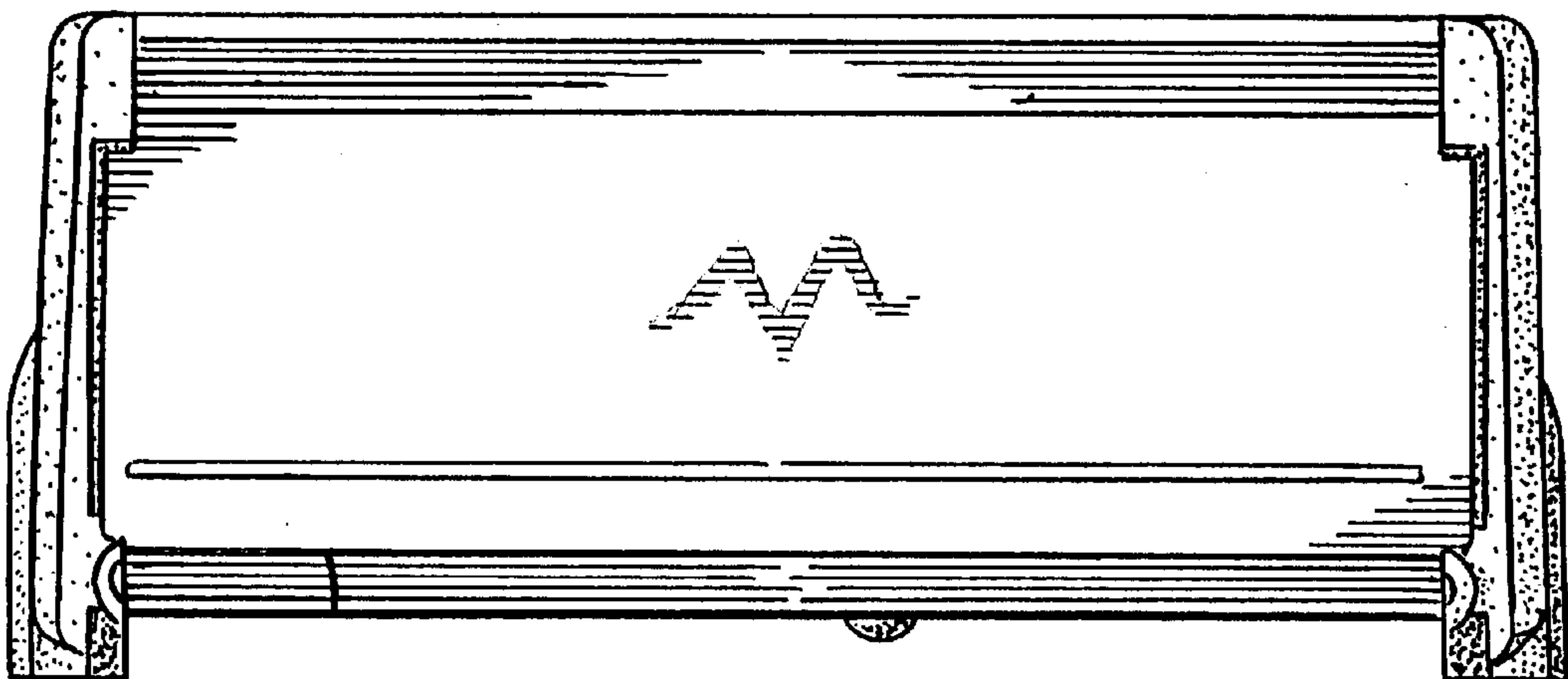


FIG-12

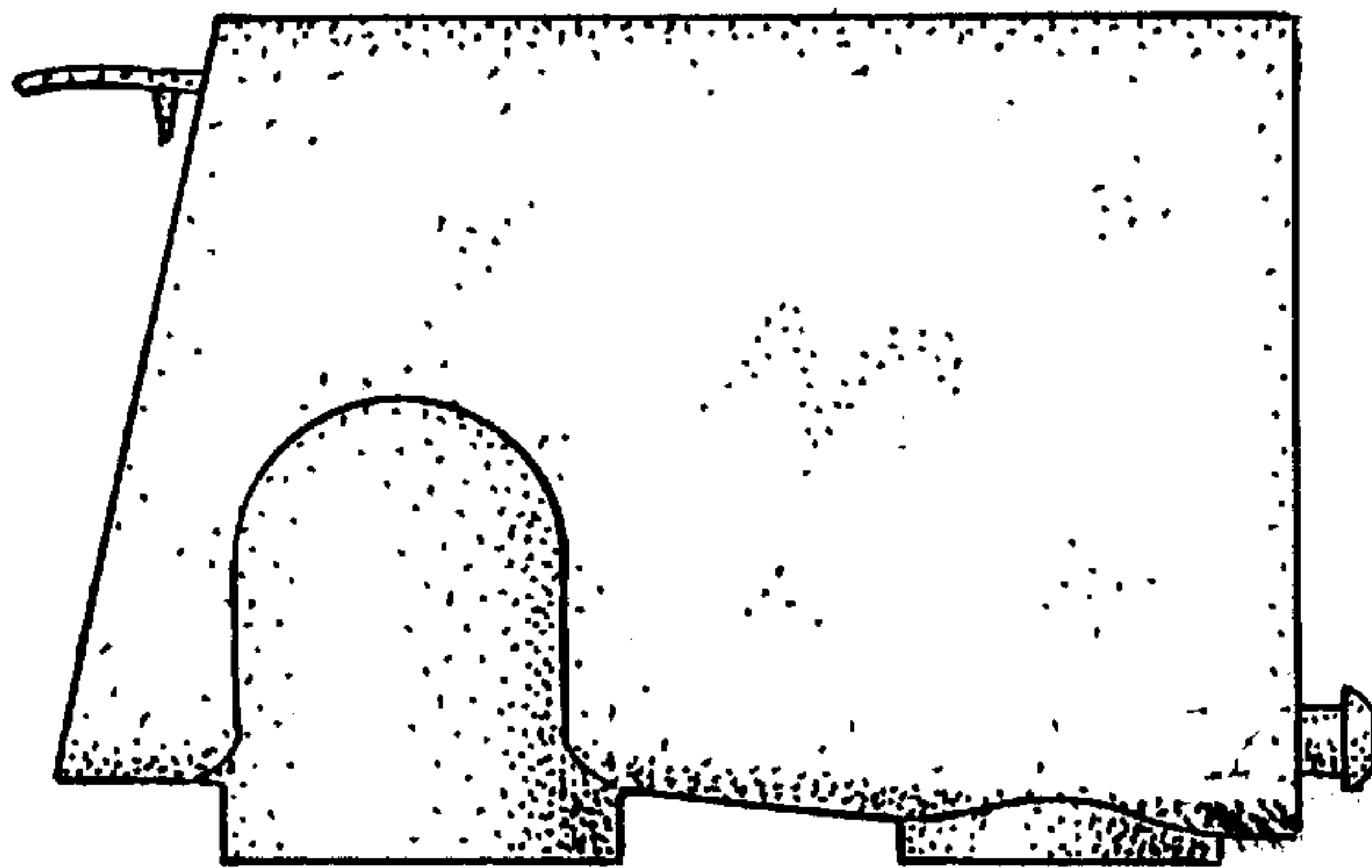


FIG-13

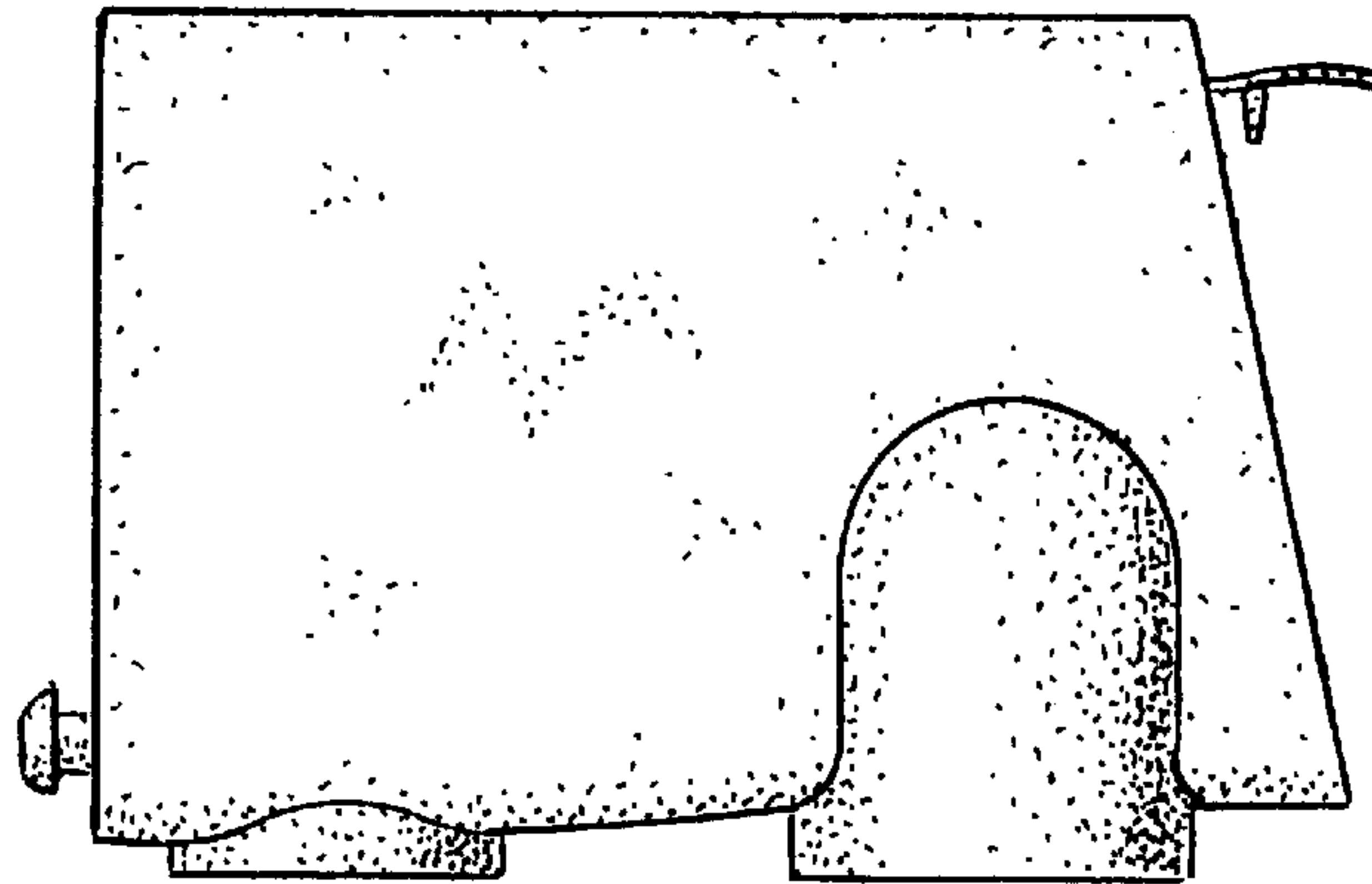


FIG-14

