



US00D444991S

(12) **United States Design Patent**  
**Measom**

(10) **Patent No.:** **US D444,991 S**

(45) **Date of Patent:** **\*\* Jul. 17, 2001**

(54) **SINGLE BURNER**

(75) **Inventor:** **S. Ty Measom**, Logan, UT (US)

(73) **Assignee:** **Dutro Company**, Emeryville, CA (US)

(\*\*) **Term:** **14 Years**

(21) **Appl. No.:** **29/120,046**

(22) **Filed:** **Mar. 13, 2000**

(51) **LOC (7) Cl.** ..... **07-02**

(52) **U.S. Cl.** ..... **D7/337**

(58) **Field of Search** ..... D7/332-337, 402,  
D7/407; 126/25 R, 25 B, 41 R, 39 R, 9 R,  
38, 44; 431/344, 353

(56) **References Cited**

**U.S. PATENT DOCUMENTS**

D. 296,649	*	7/1988	Napier	.....	D7/407
D. 329,162	*	9/1992	Dutro et al.	.....	D7/332
D. 355,809	*	2/1995	Kothrade	.....	D7/337
D. 357,610		4/1995	Dutro et al.	.	
D. 416,750	*	11/1999	Persson	.....	D7/337
D. 424,364	*	5/2000	Perrsson	.....	D7/337
3,648,680	*	3/1972	Hein	.....	126/38
4,705,020	*	11/1987	Hahn	.....	126/41 R

4,776,318	*	10/1988	Serra et al.	.....	126/38
5,704,777		1/1998	Measom	.	
5,881,709	*	3/1999	Daoust	.....	126/44
5,975,884	*	11/1999	Dugger	.....	431/42
5,992,408	*	11/1999	Chen	.....	126/43

\* cited by examiner

*Primary Examiner*—Ruth McInroy

(74) *Attorney, Agent, or Firm*—Harris Zimmerman

(57) **CLAIM**

The ornamental design for a single burner, as shown and described.

**DESCRIPTION**

FIG. 1 is a perspective view of a single burner showing my new design;

FIG. 2 is a front view;

FIG. 3 is a left side view;

FIG. 4 is a rear view;

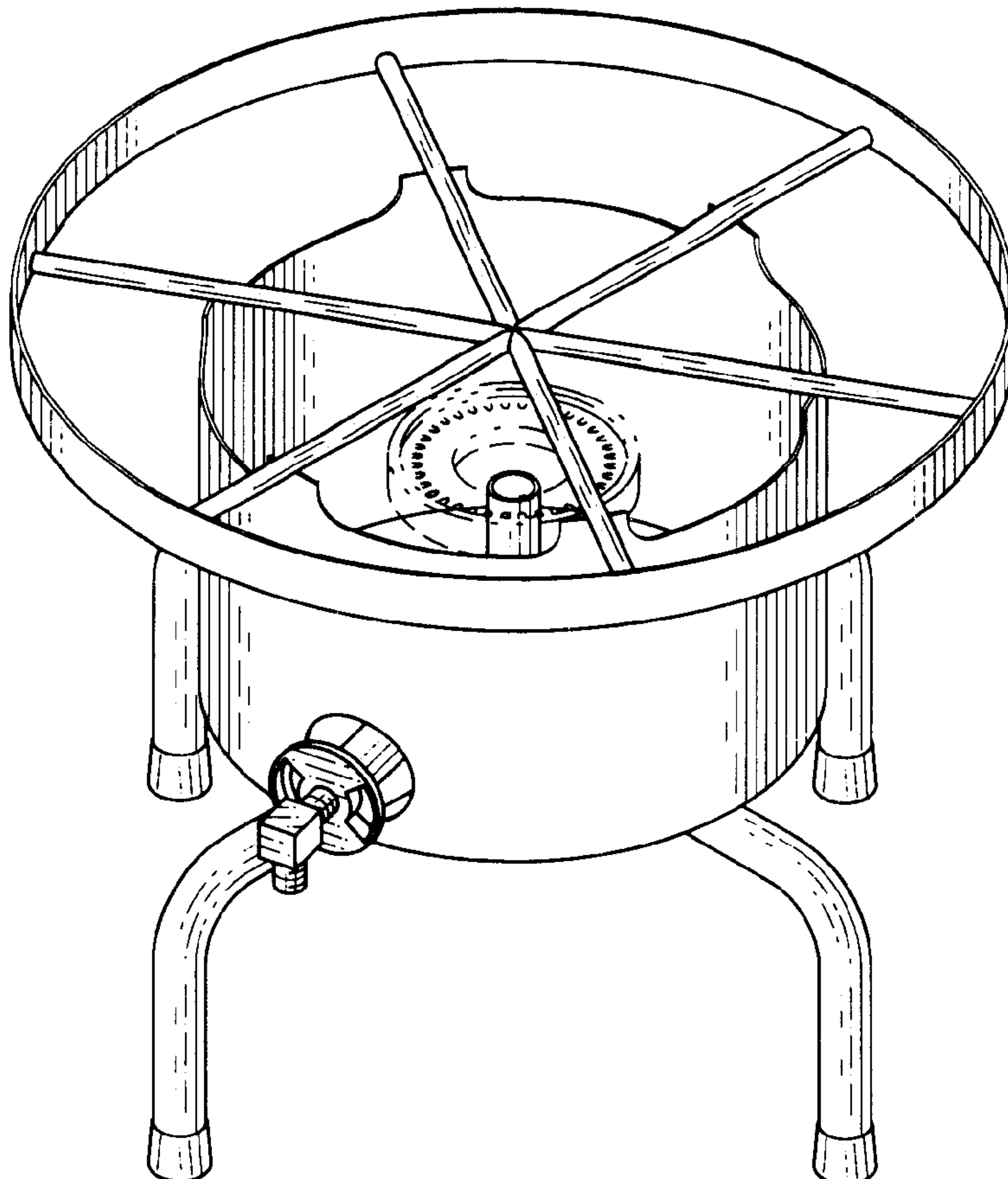
FIG. 5 is a top view;

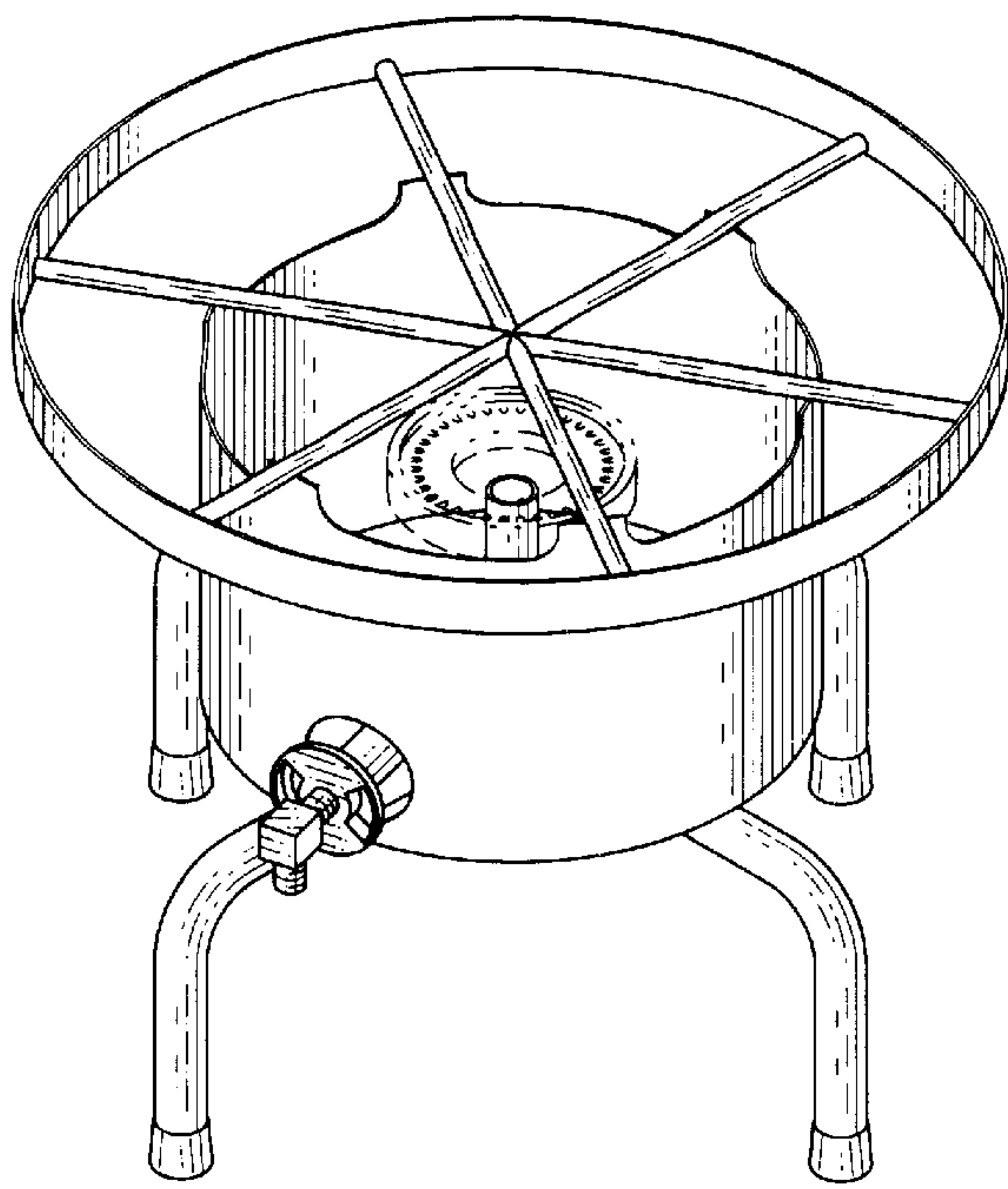
FIG. 6 is a bottom view; and,

FIG. 7 is a right side view.

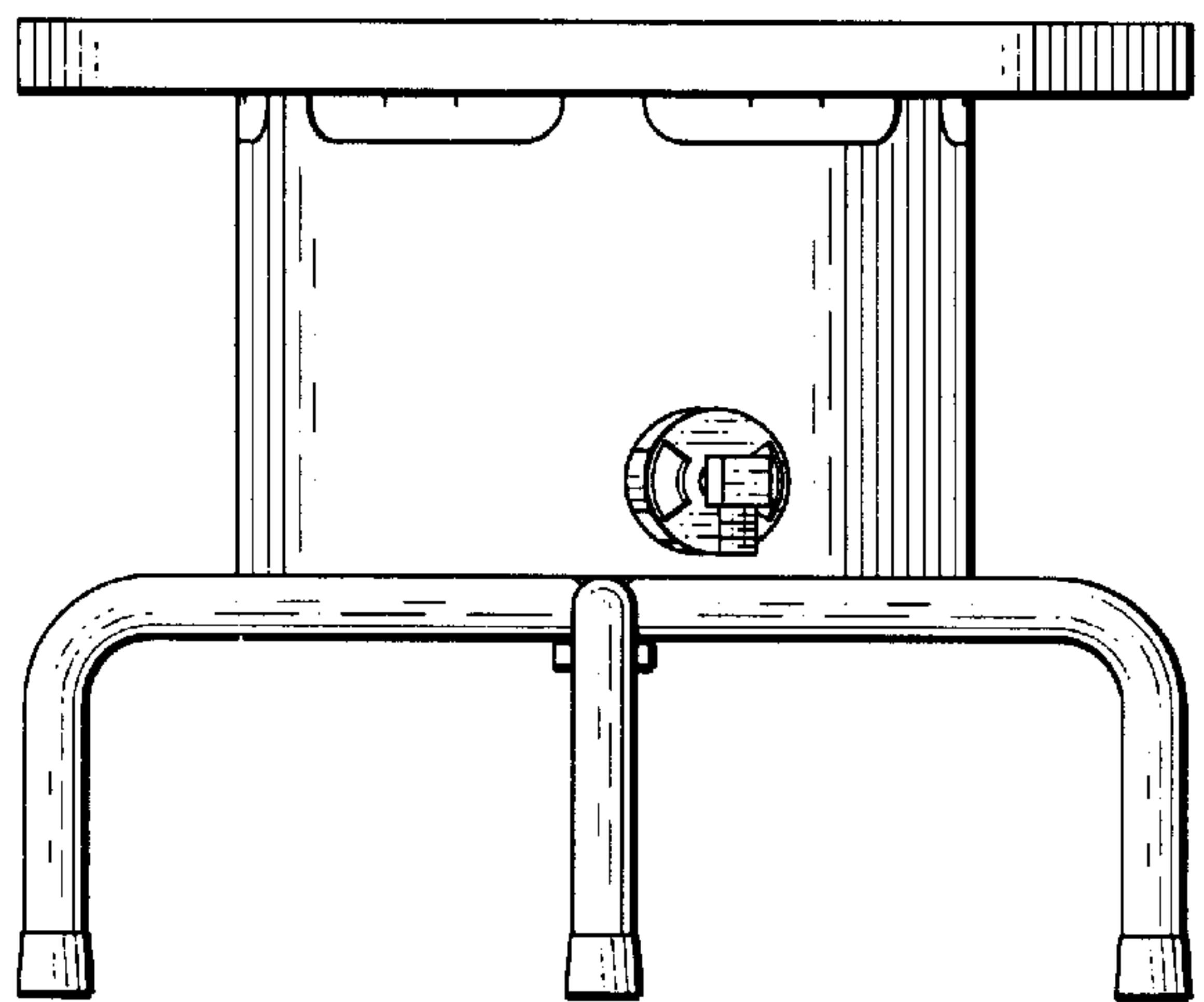
The broken lines showing a burner in FIG. 1 is for illustration purposes only and forms no part of the claimed design.

**1 Claim, 2 Drawing Sheets**

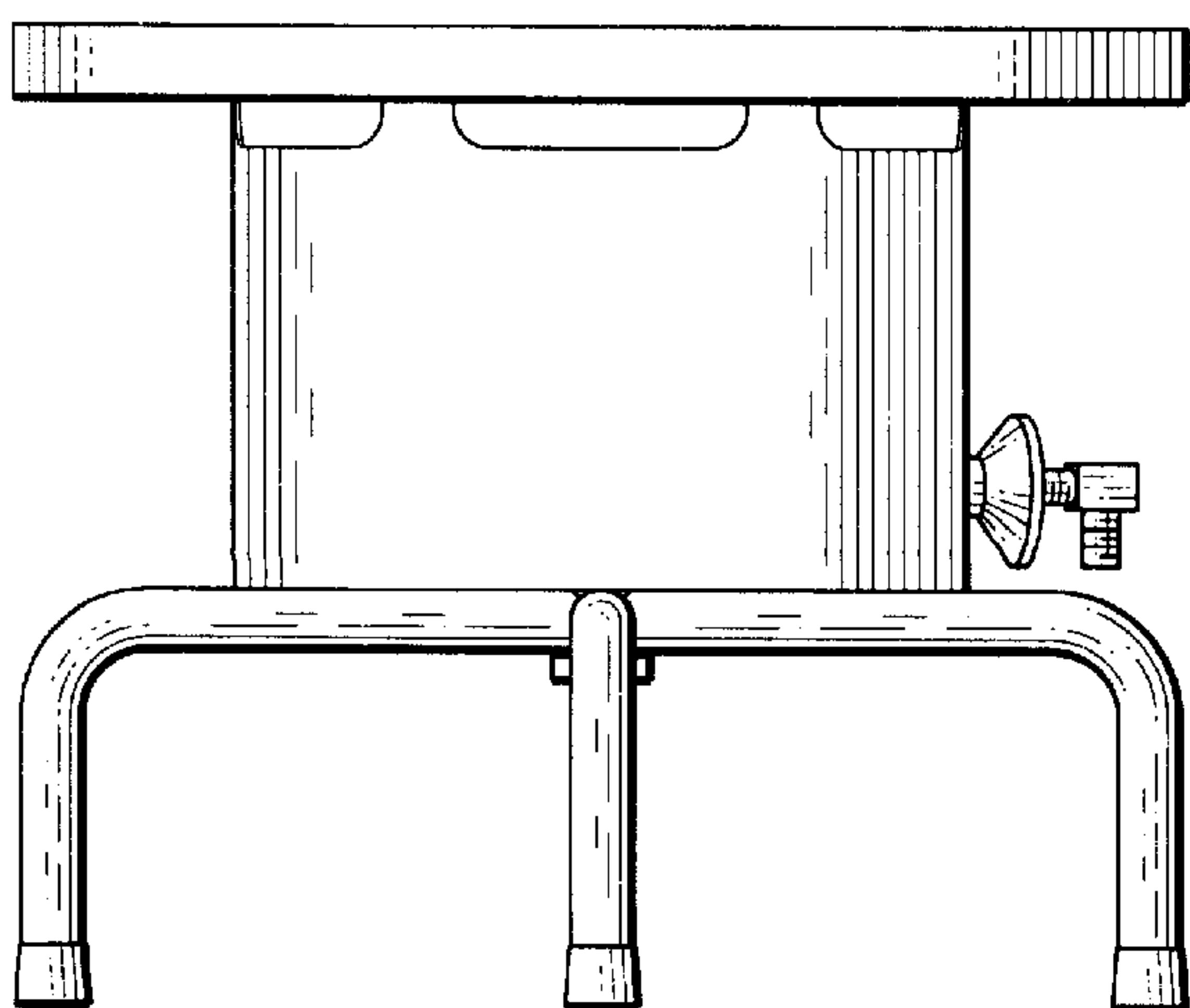




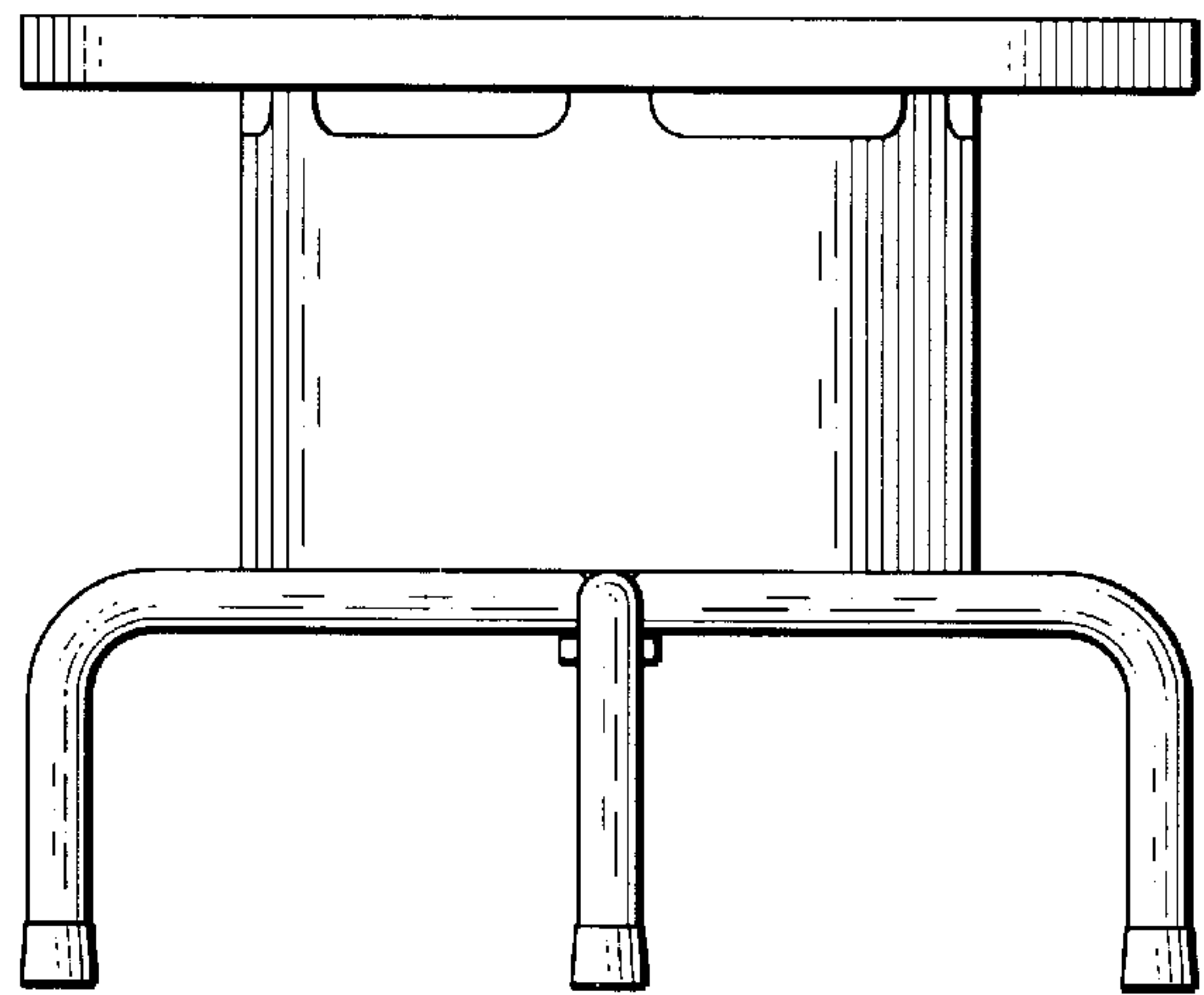
*Fig. 1*



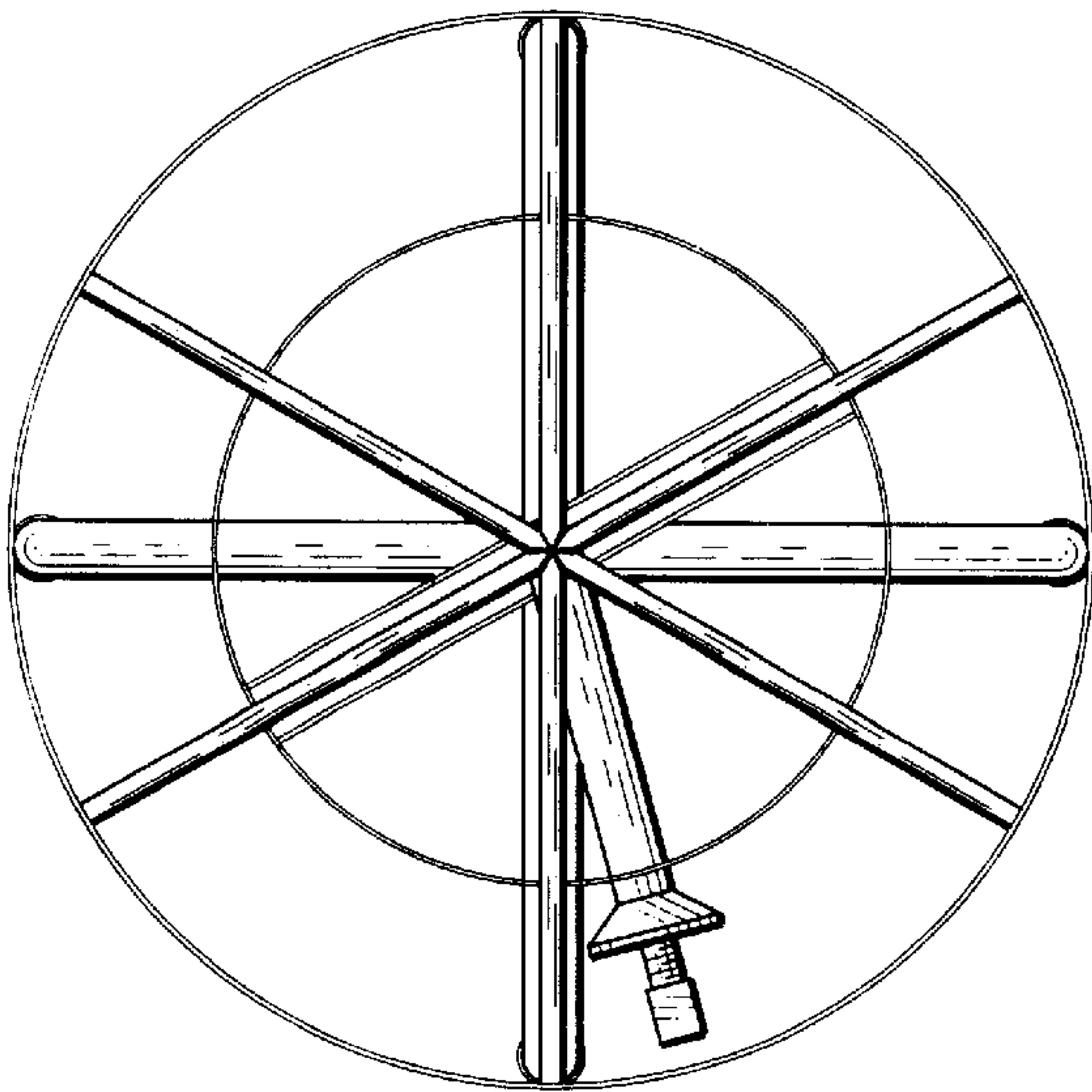
*Fig. 2*



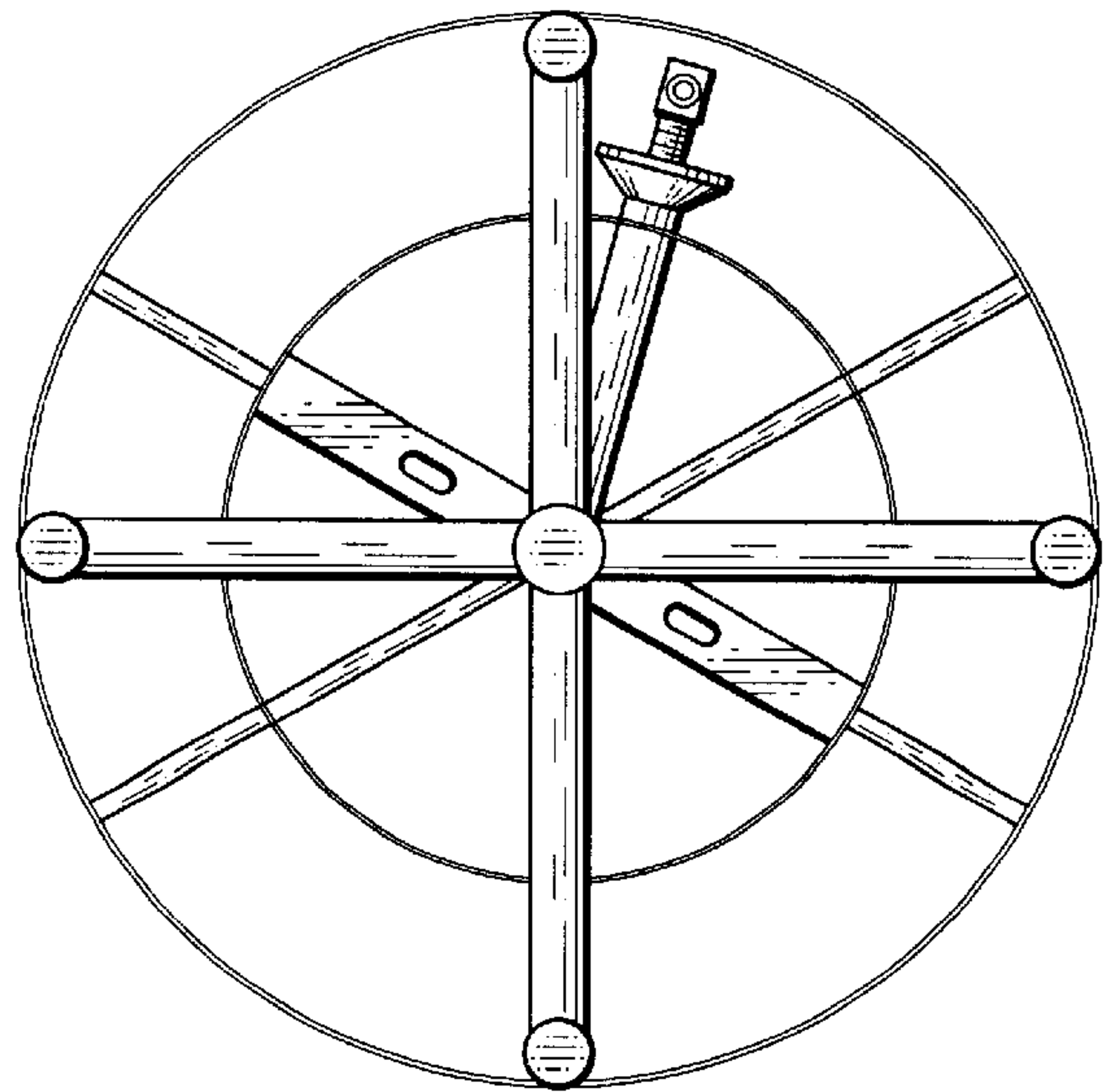
*Fig. 3*



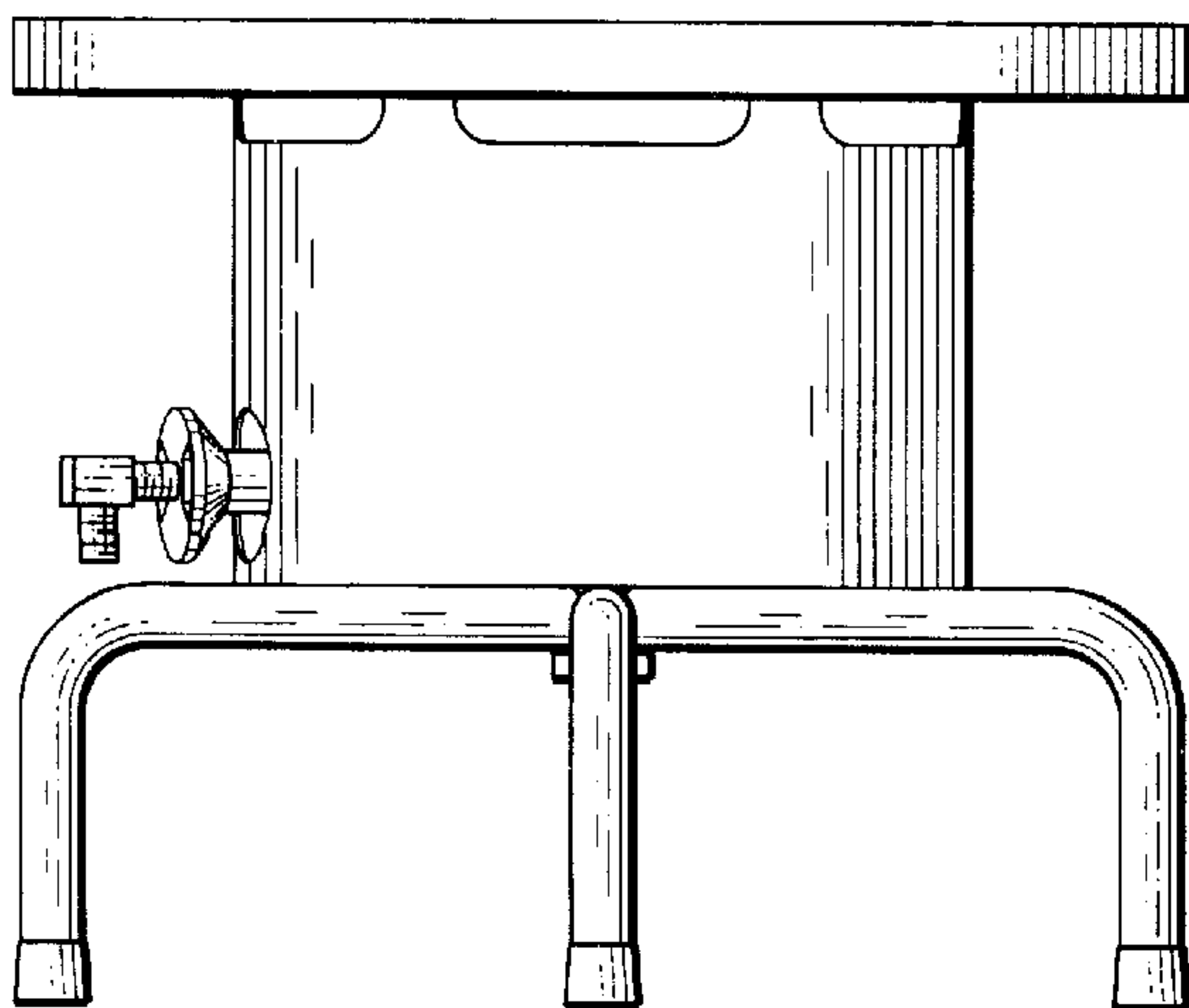
*Fig. 4*



*Fig. 5*



*Fig. 6*



*Fig. 7*