



US00D444988S

(12) **United States Design Patent**  
**Conran**

(10) **Patent No.:** **US D444,988 S**

(45) **Date of Patent:** **\*\* Jul. 17, 2001**

(54) **STAYFRESH TEAPOT**

(75) **Inventor:** **Sebastian Conran, London (GB)**

(73) **Assignee:** **William Levene Limited (GB)**

(\*\*) **Term:** **14 Years**

(21) **Appl. No.:** **29/126,132**

(22) **Filed:** **Jul. 7, 2000**

(30) **Foreign Application Priority Data**

Jan. 8, 2000	(GB)	.....	2089297
Feb. 29, 2000	(GB)	.....	2090875
Mar. 3, 2000	(GB)	.....	2090958

(51) **LOC (7) Cl.** ..... **07-01**

(52) **U.S. Cl.** ..... **D7/319; D7/317**

(58) **Field of Search** ..... D7/319, 318, 317,  
D7/316, 312, 300; 210/282, 470; 99/307,  
285, 279; 215/396, 12.1, 12.2; 222/566;  
220/4.01, 611

(56) **References Cited**

**U.S. PATENT DOCUMENTS**

D. 360,556 \* 7/1995 DeCoster ..... D7/318

D. 369,058	*	4/1996	Simmons	.....	D7/319
D. 376,065	*	12/1996	Ito et al.	.....	D7/319
D. 398,184	*	9/1998	Silverberg et al.	.....	D7/319
D. 430,449	*	9/2000	Yeh	.....	D7/319
D. 437,175	*	2/2001	Brady	.....	D7/319
3,252,612	*	5/1966	Von Myhre	.....	215/12.2

**OTHER PUBLICATIONS**

U.S. Application No. 29/126,131—Filed Jul. 7, 2000.

\* cited by examiner

*Primary Examiner*—M. N. Pandozzi  
(74) *Attorney, Agent, or Firm*—Dechert

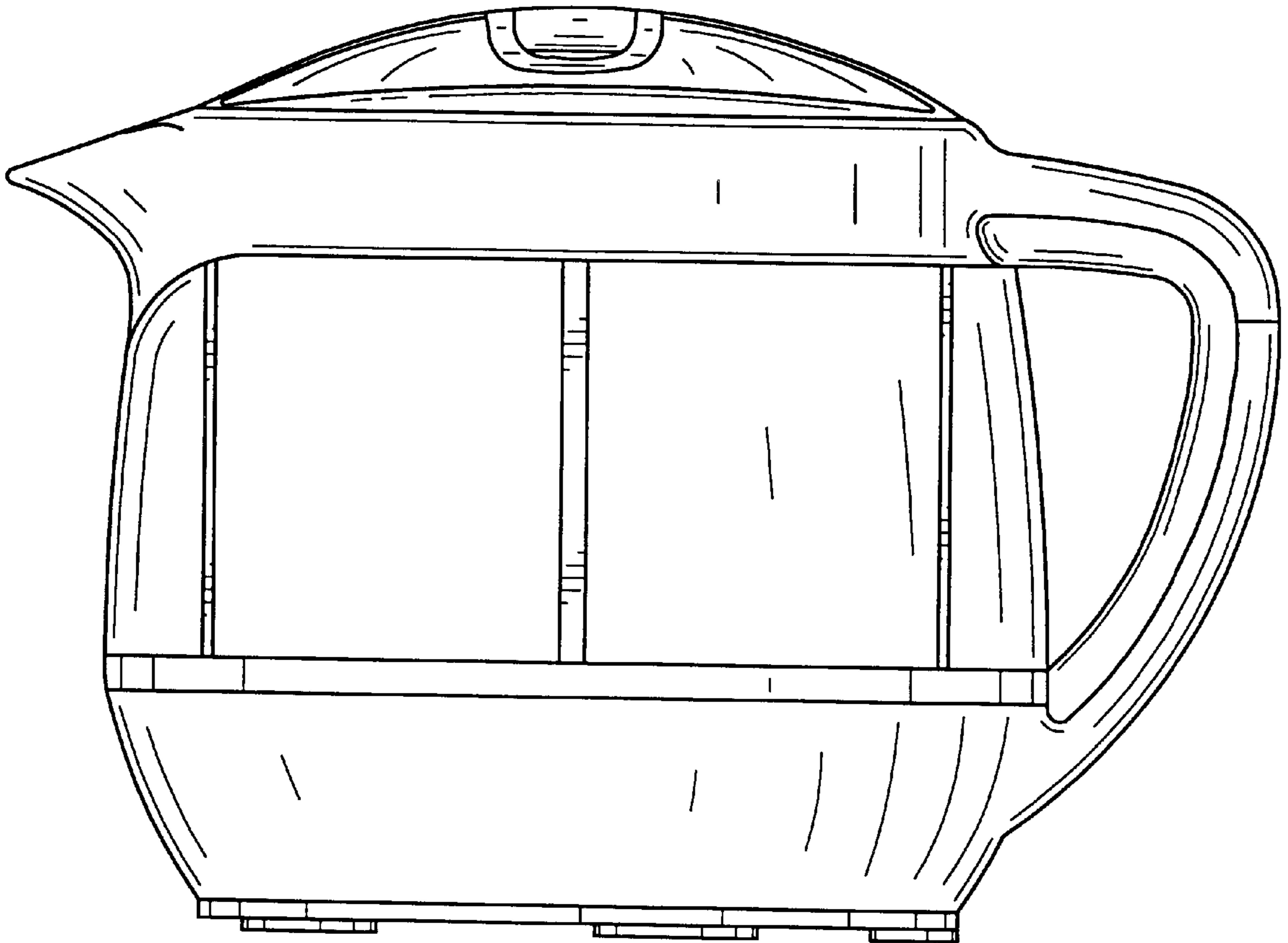
(57) **CLAIM**

The ornamental design for a stayfresh teapot, as shown and described.

**DESCRIPTION**

FIG. 1 is a side view of the stayfresh teapot;  
FIG. 2 is a top view;  
FIG. 3 is a front view;  
FIG. 4 is a back view; and,  
FIG. 5 is an underside elevation view.

**1 Claim, 3 Drawing Sheets**



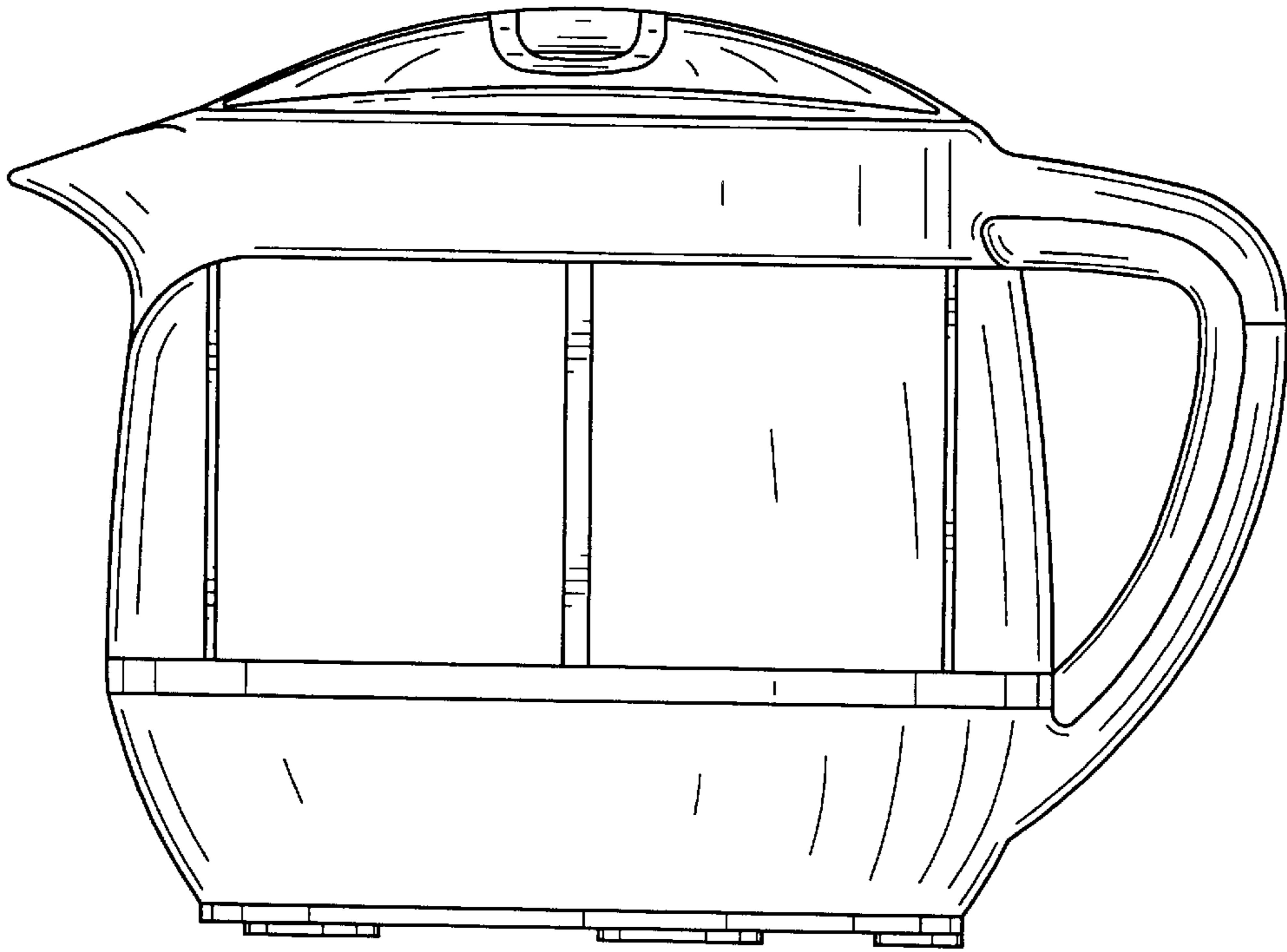


FIG. 1

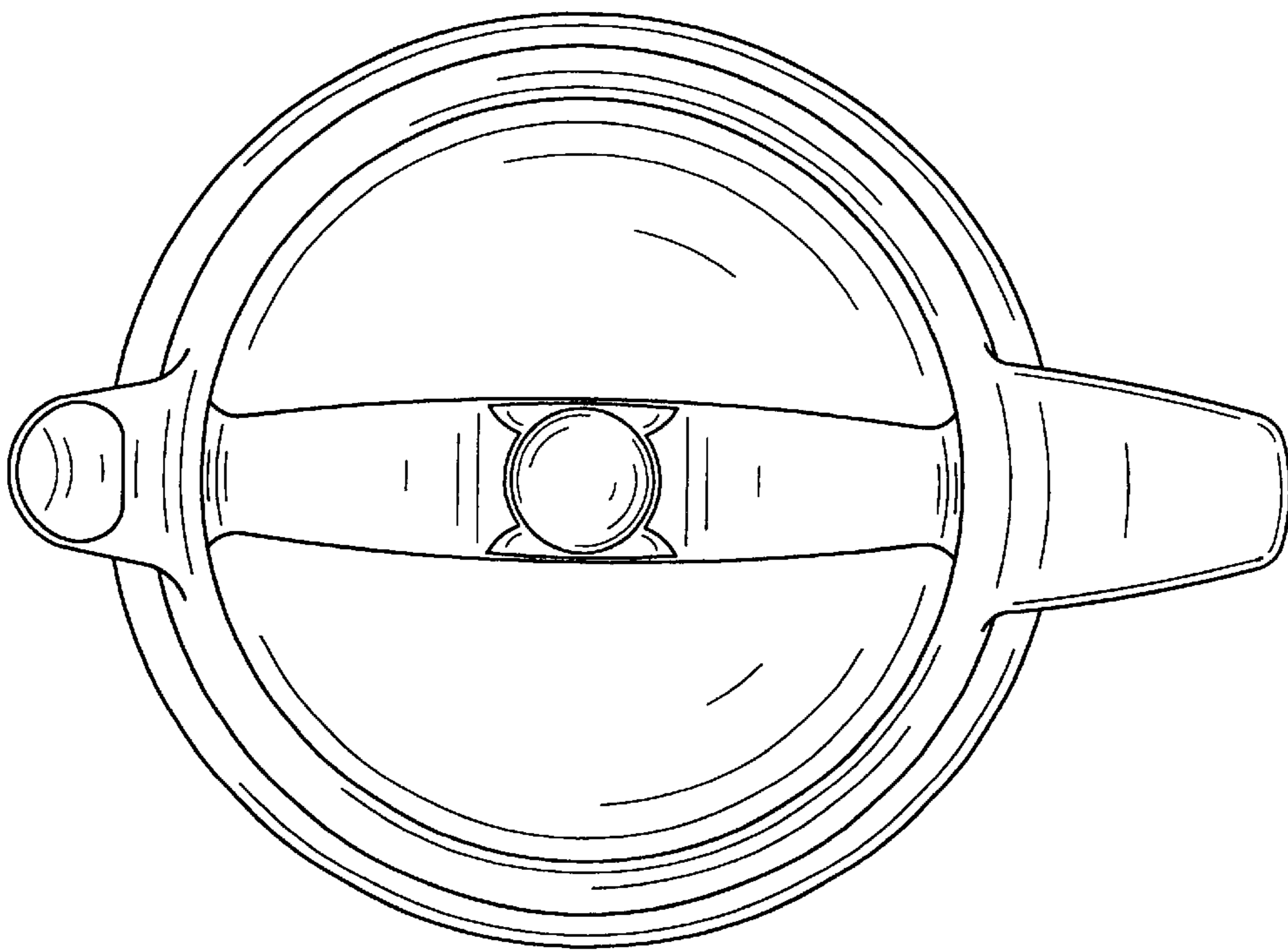


FIG. 2

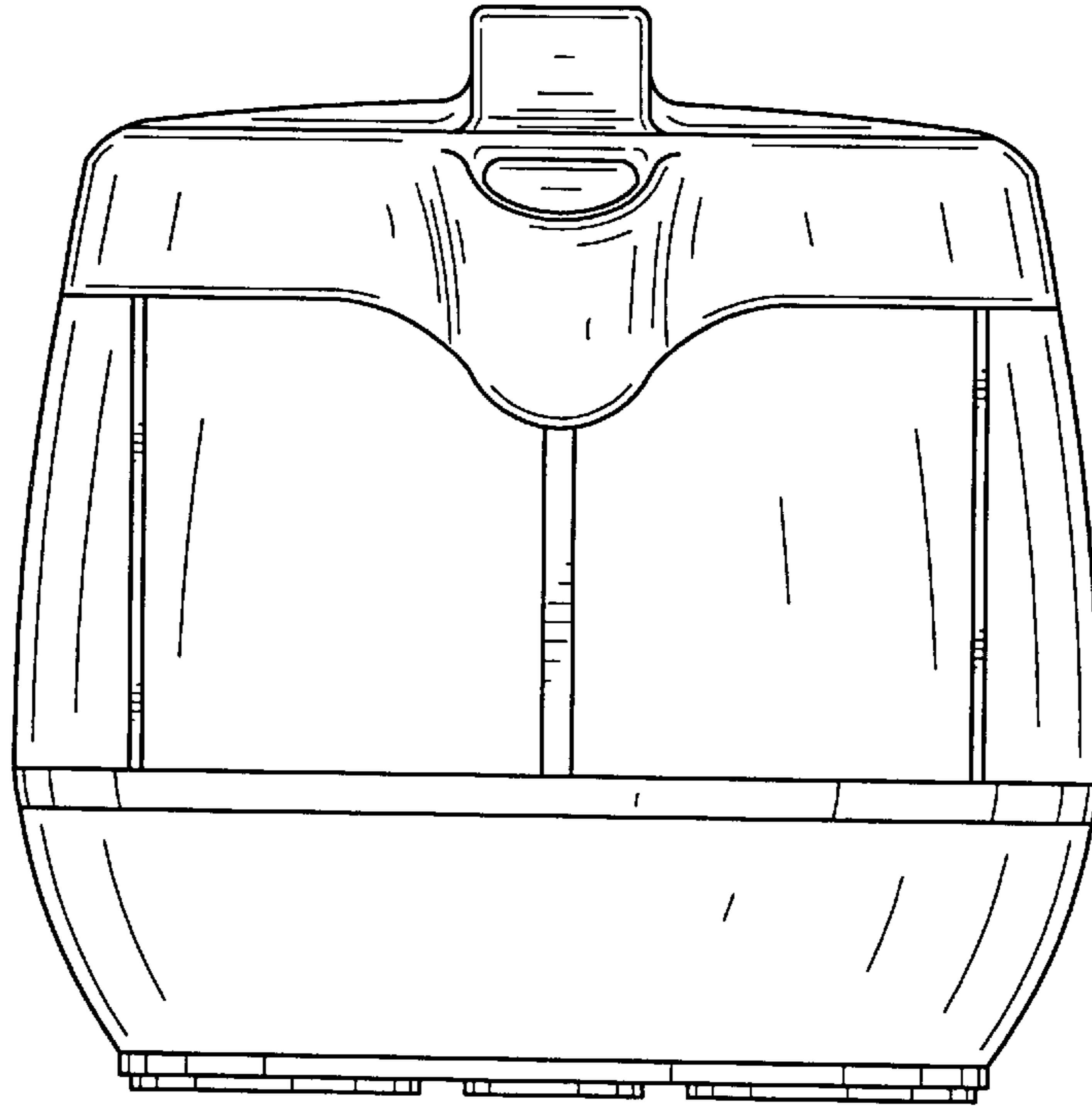


FIG. 3

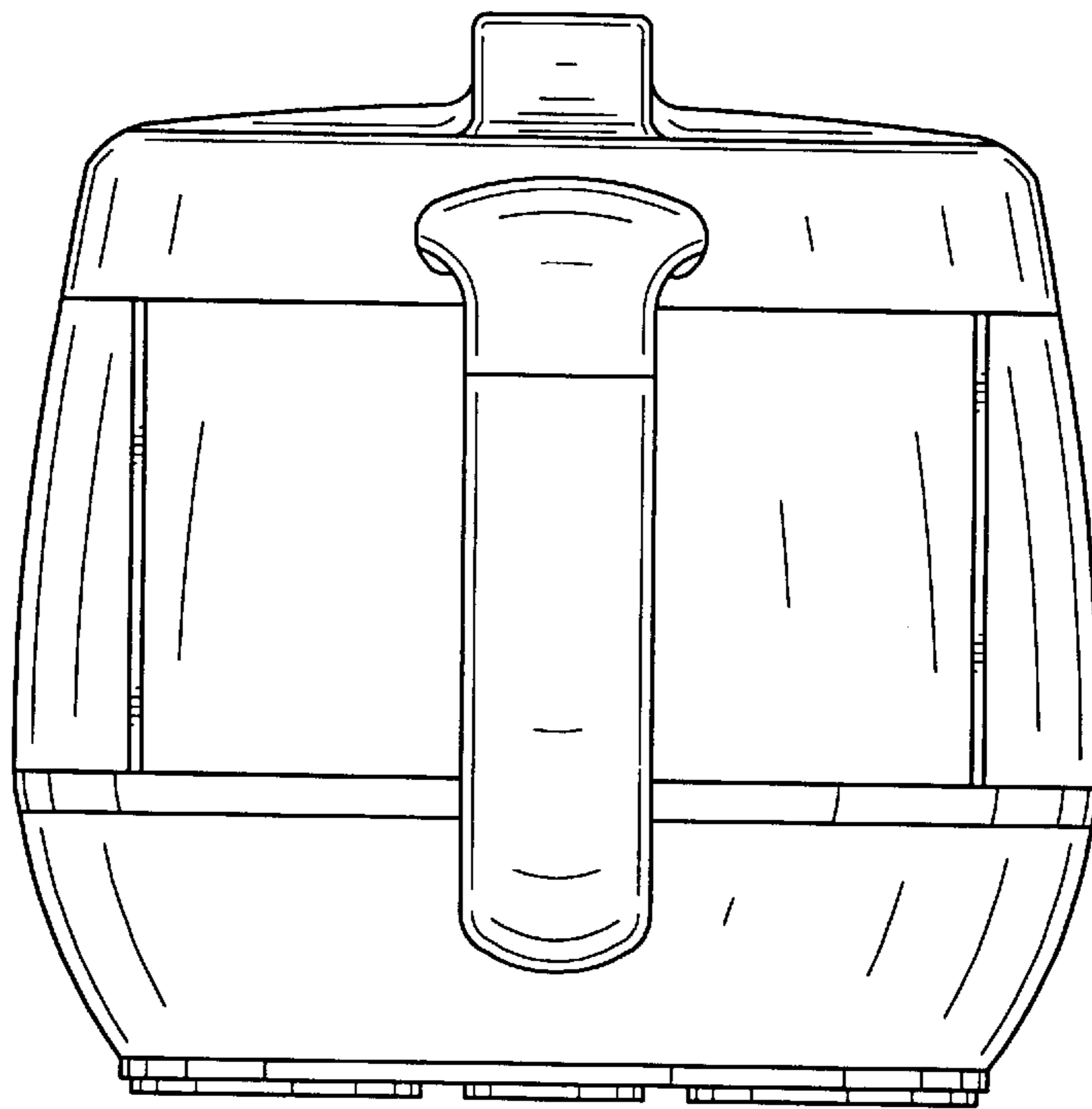


FIG. 4

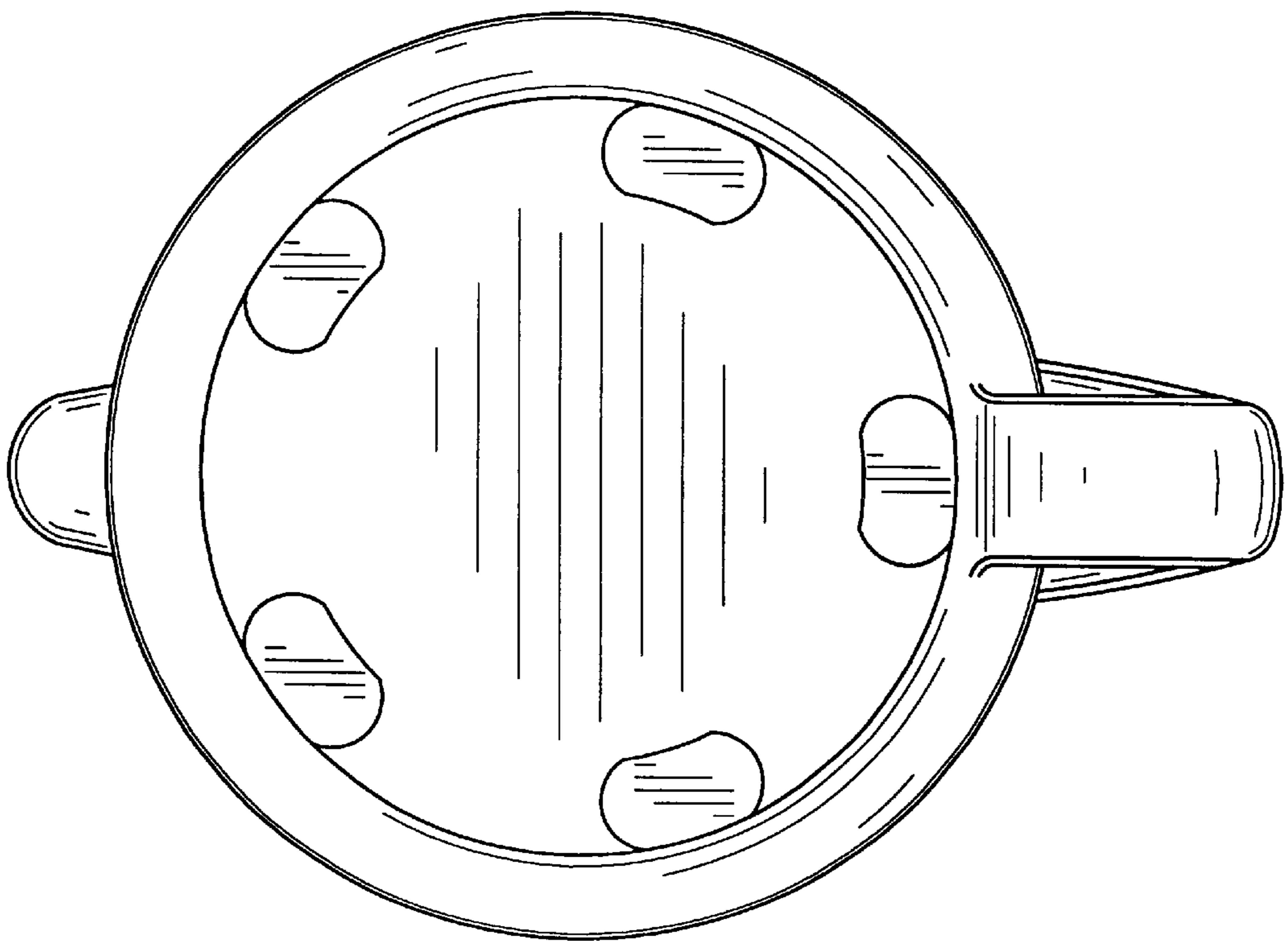


FIG. 5