



US00D444985S

(12) **United States Design Patent**
Wu

(10) **Patent No.:** **US D444,985 S**

(45) **Date of Patent:** **** Jul. 17, 2001**

(54) **COFFEE MAKER**

(75) **Inventor:** **Tsan-Kuen Wu, Tainan Hsien (TW)**

(73) **Assignee:** **Tsann Kuen USA Inc., Pasadena, CA (US)**

(**) **Term:** **14 Years**

(21) **Appl. No.:** **29/134,056**

(22) **Filed:** **Dec. 12, 2000**

(51) **LOC (7) Cl.** **07-01**

(52) **U.S. Cl.** **D7/309; D7/311**

(58) **Field of Search** **D7/309, 310, 311, D7/300, 306; 222/185.1; 99/295, 229, 293, 304, 306**

(56) **References Cited**

U.S. PATENT DOCUMENTS

D. 347,961	*	6/1994	Beeren	D7/309
D. 354,878	*	1/1995	Lin	D7/309
D. 355,561	*	2/1995	Ullman	D7/309
D. 376,950	*	12/1996	Saltet	D7/309
D. 377,290	*	1/1997	Saltet	D7/309
D. 381,550	*	7/1997	Lin	D7/309
D. 386,039	*	11/1997	Dingelstad	D7/309
D. 398,473	*	9/1998	Henderson	D7/305
D. 400,045	*	10/1998	Schade	D7/309
D. 401,108	*	11/1998	Pochopien et al.	D7/309
D. 402,153	*	12/1998	Saltet	D7/309
D. 404,961	*	2/1999	Carrere	D7/309
D. 406,982	*	3/1999	Littmann	D7/309

D. 407,596	*	4/1999	Hsu	D7/309
D. 408,208	*	4/1999	Hsu	D7/309
D. 411,705	*	6/1999	Littmann	D7/309
D. 413,479	*	9/1999	Mork et al.	D7/309
D. 418,000	*	12/1999	Mork et al.	D7/309
D. 418,357	*	1/2000	Lin	D7/309
D. 432,849	*	10/2000	Brady et al.	D7/309
D. 437,173	*	2/2001	Naft et al.	D7/309

* cited by examiner

Primary Examiner—M. N. Pandozzi

(74) *Attorney, Agent, or Firm*—Christensen O'Connor Johnson Kindness PLLC

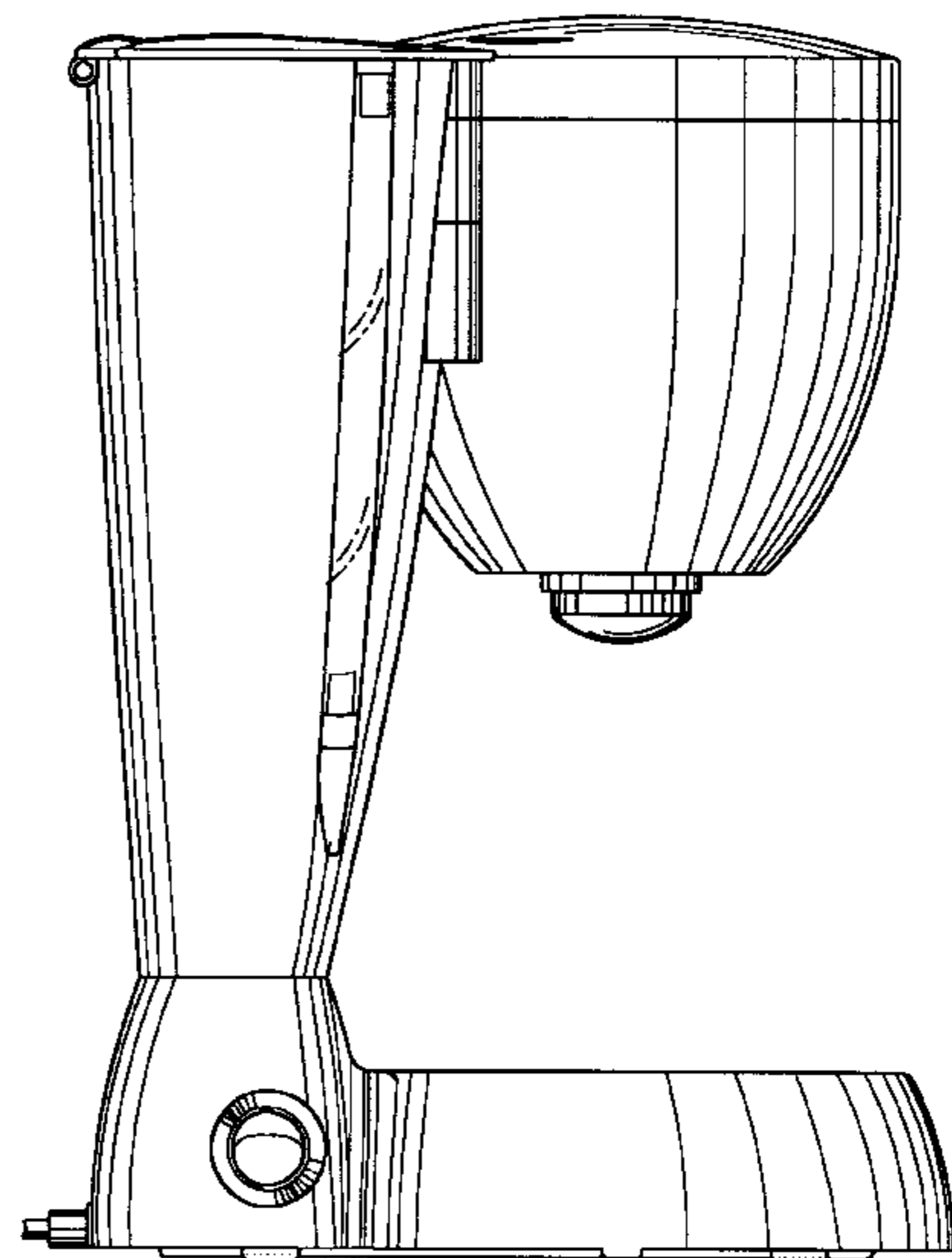
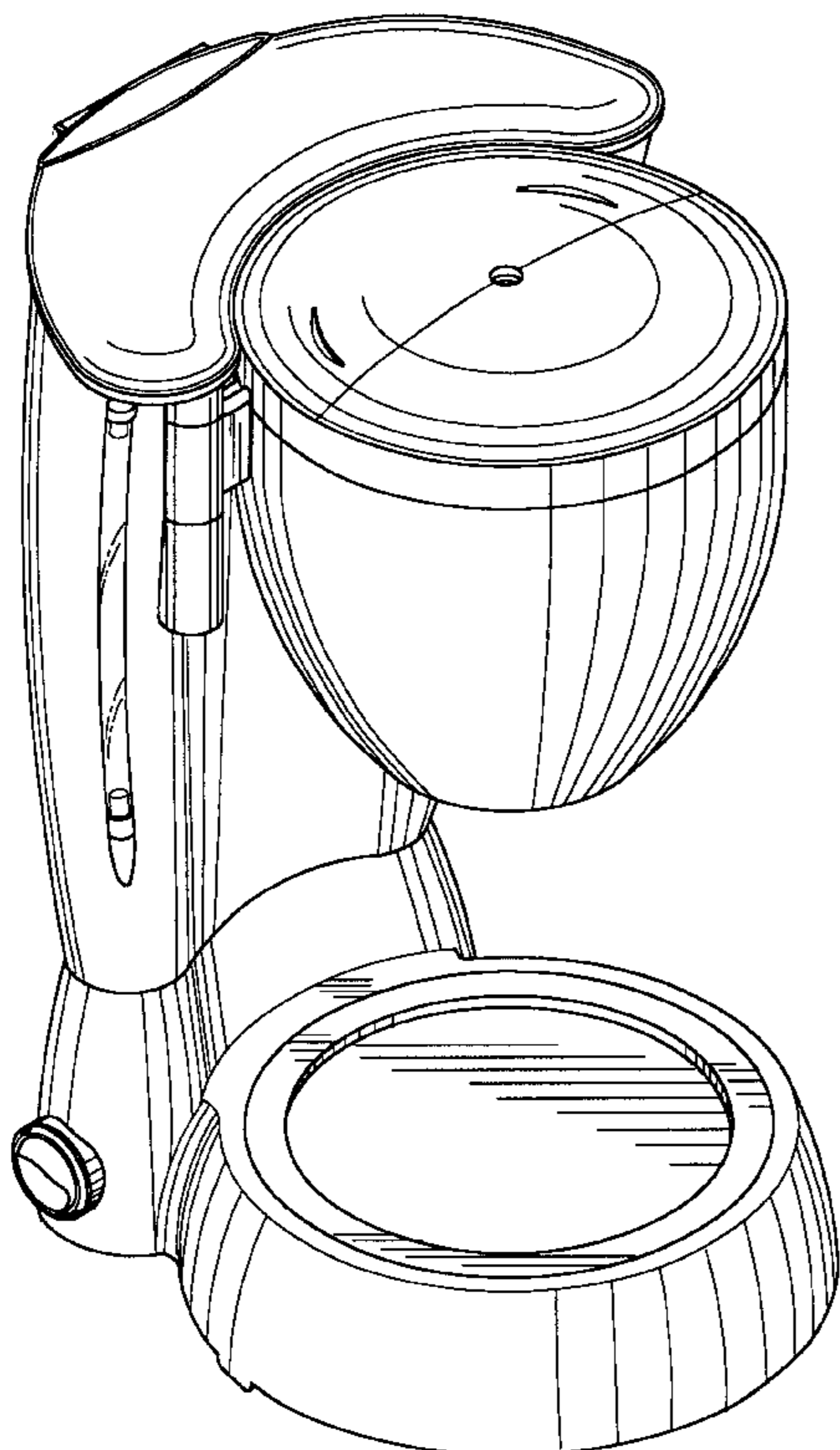
(57) **CLAIM**

The ornamental design for coffee maker, as shown and described.

DESCRIPTION

FIG. 1 is a perspective view of coffee maker showing my new design;
 FIG. 2 is a front elevational view thereof;
 FIG. 3 is a rear elevational view thereof;
 FIG. 4 is a left side elevational view thereof;
 FIG. 5 is a right side elevational view thereof;
 FIG. 6 is a top plan view thereof;
 FIG. 7 is a bottom plan view thereof; and,
 FIG. 8 is another perspective view in use.
 The broken line showing of a coffee pot in FIG. 8 is for illustrative purposes only and forms no part of the claimed design.

1 Claim, 5 Drawing Sheets



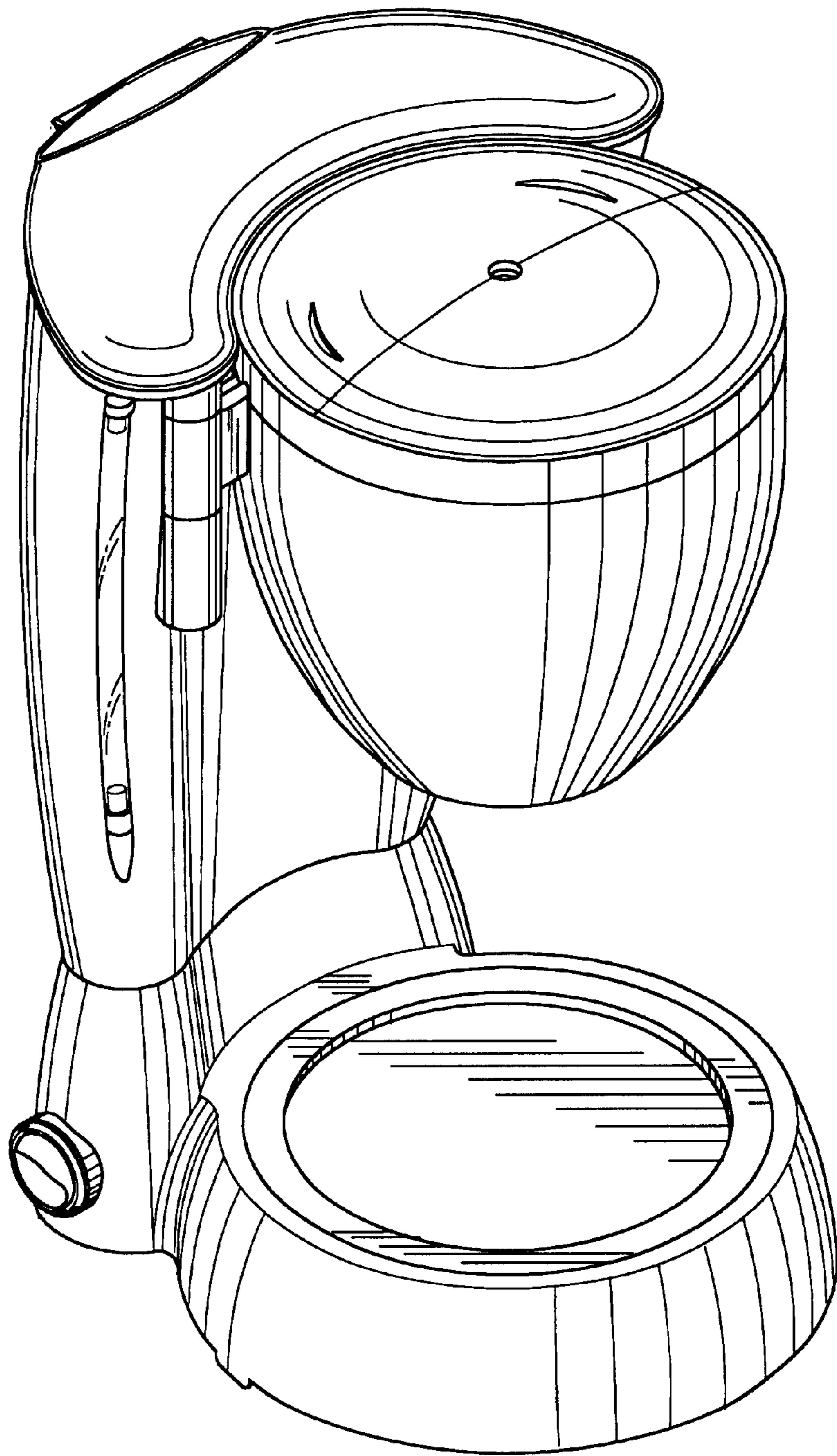


FIG. 1

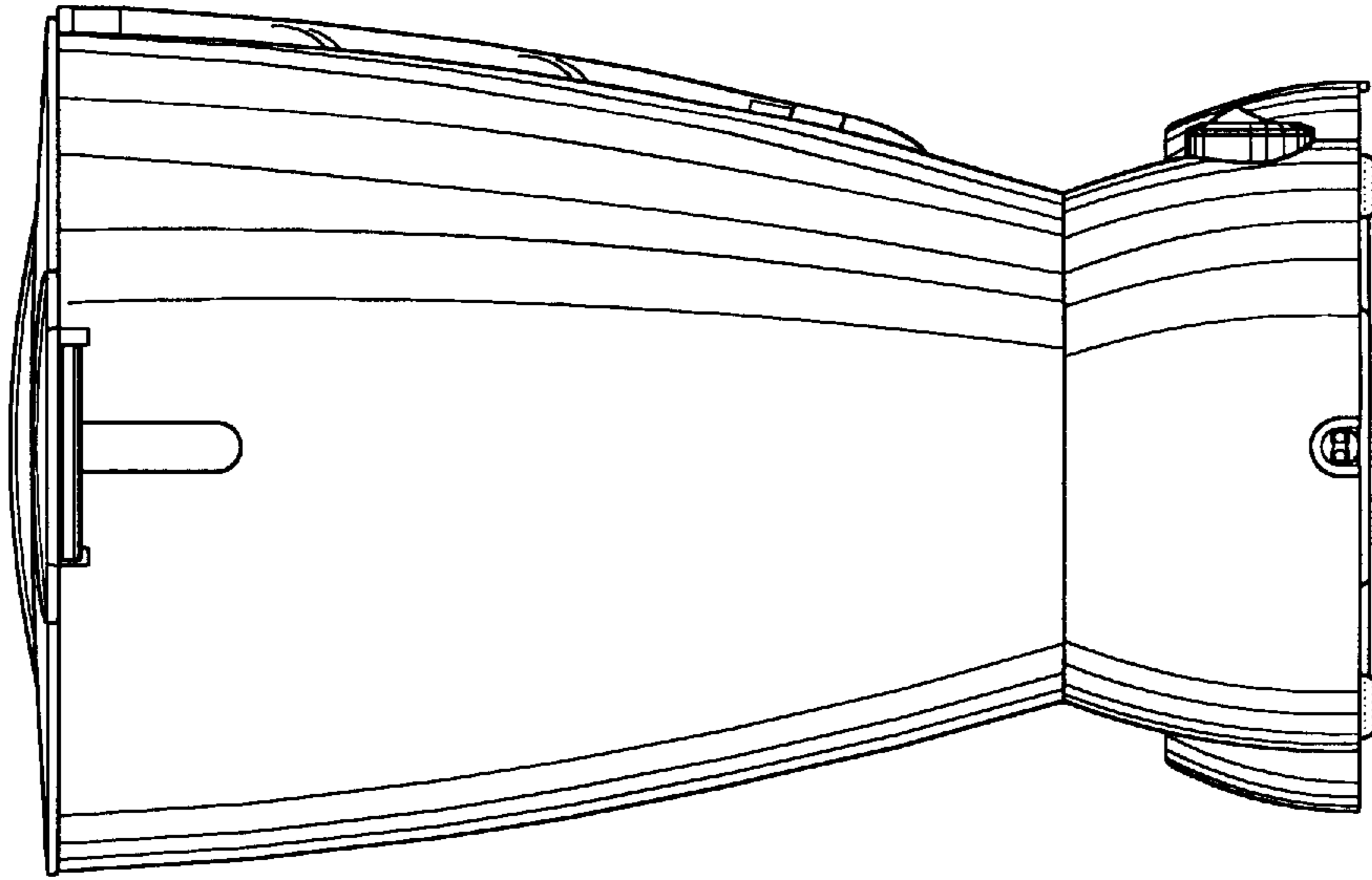


FIG. 3

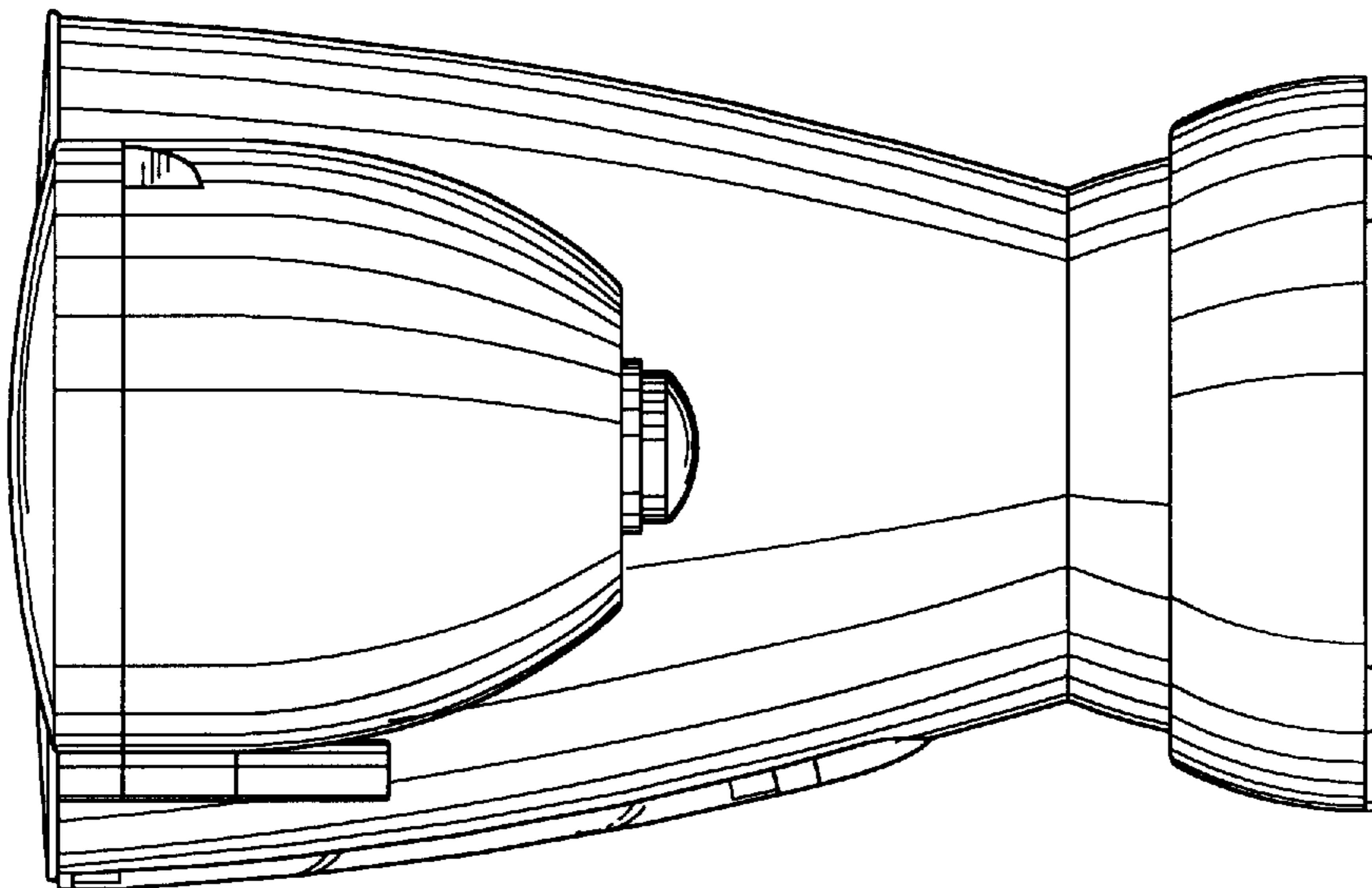


FIG. 2

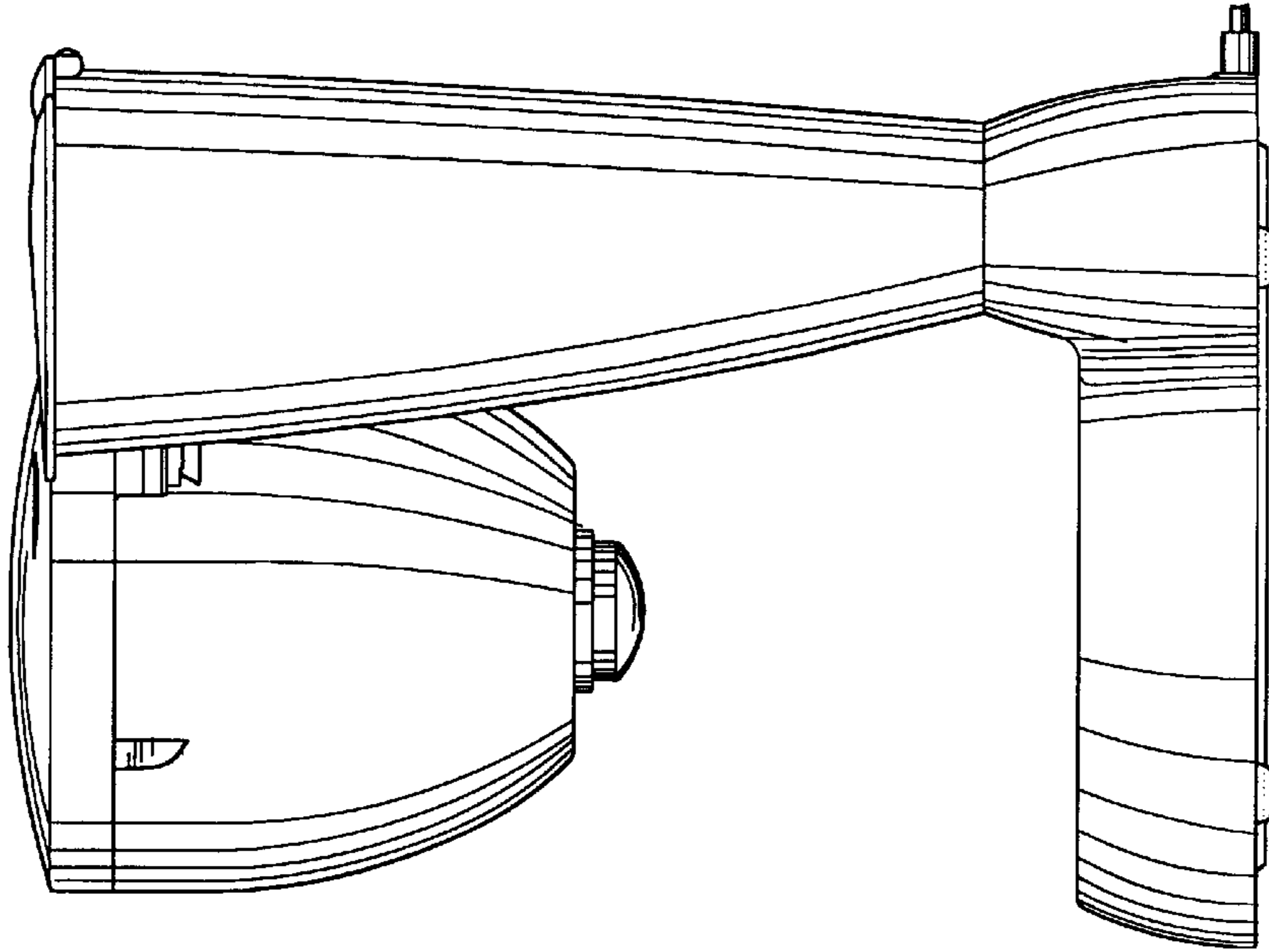


FIG. 5

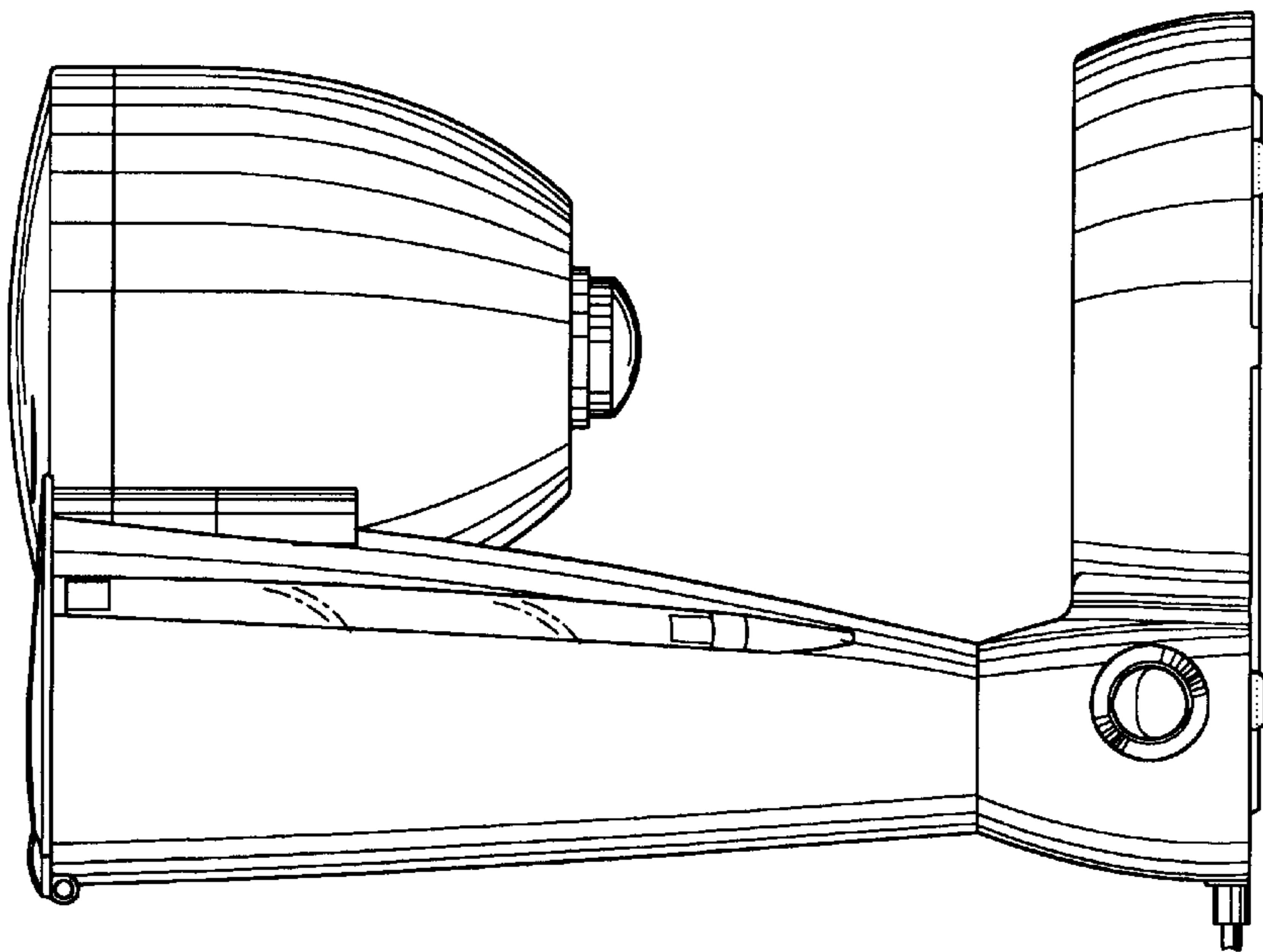


FIG. 4

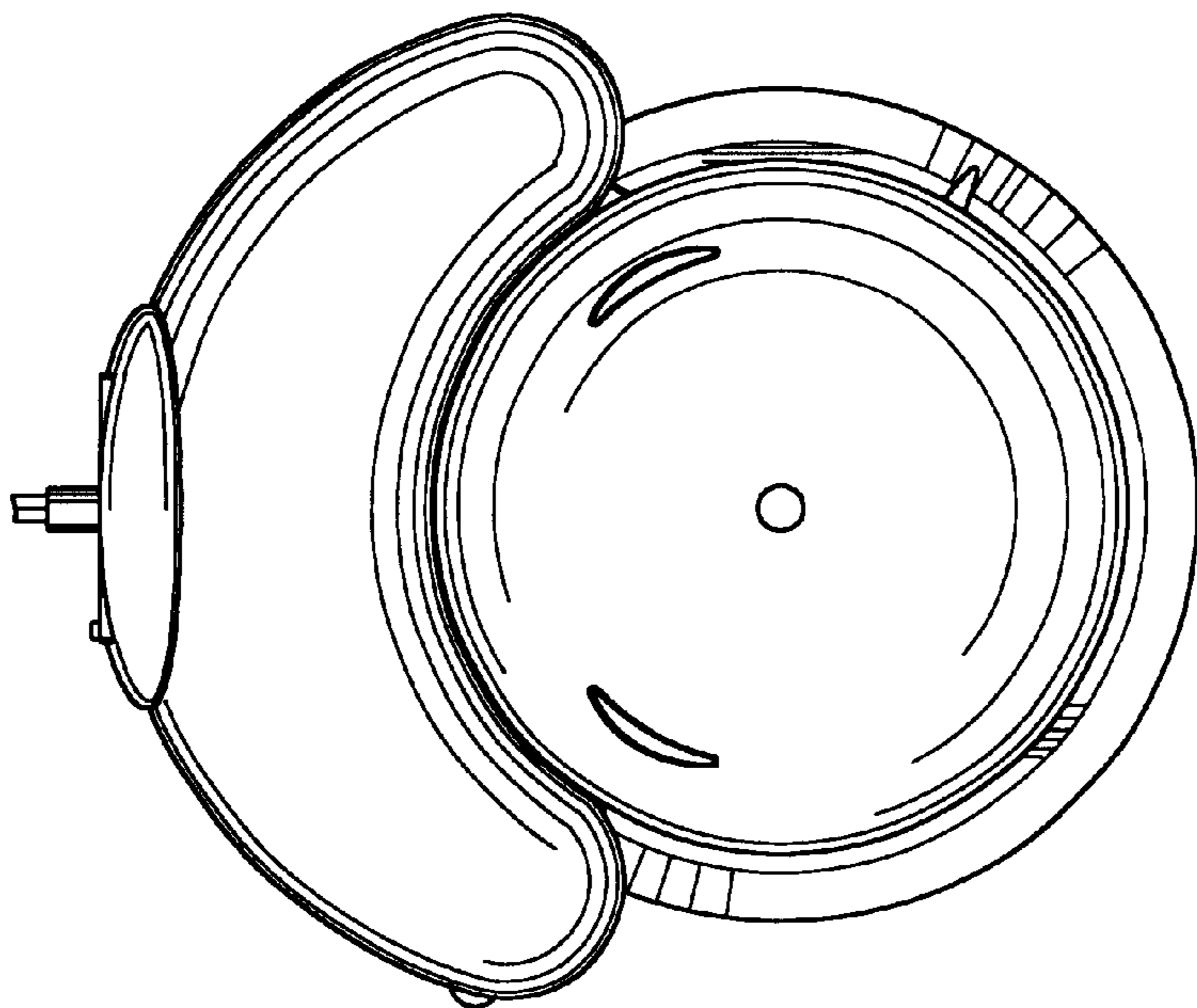


FIG. 6

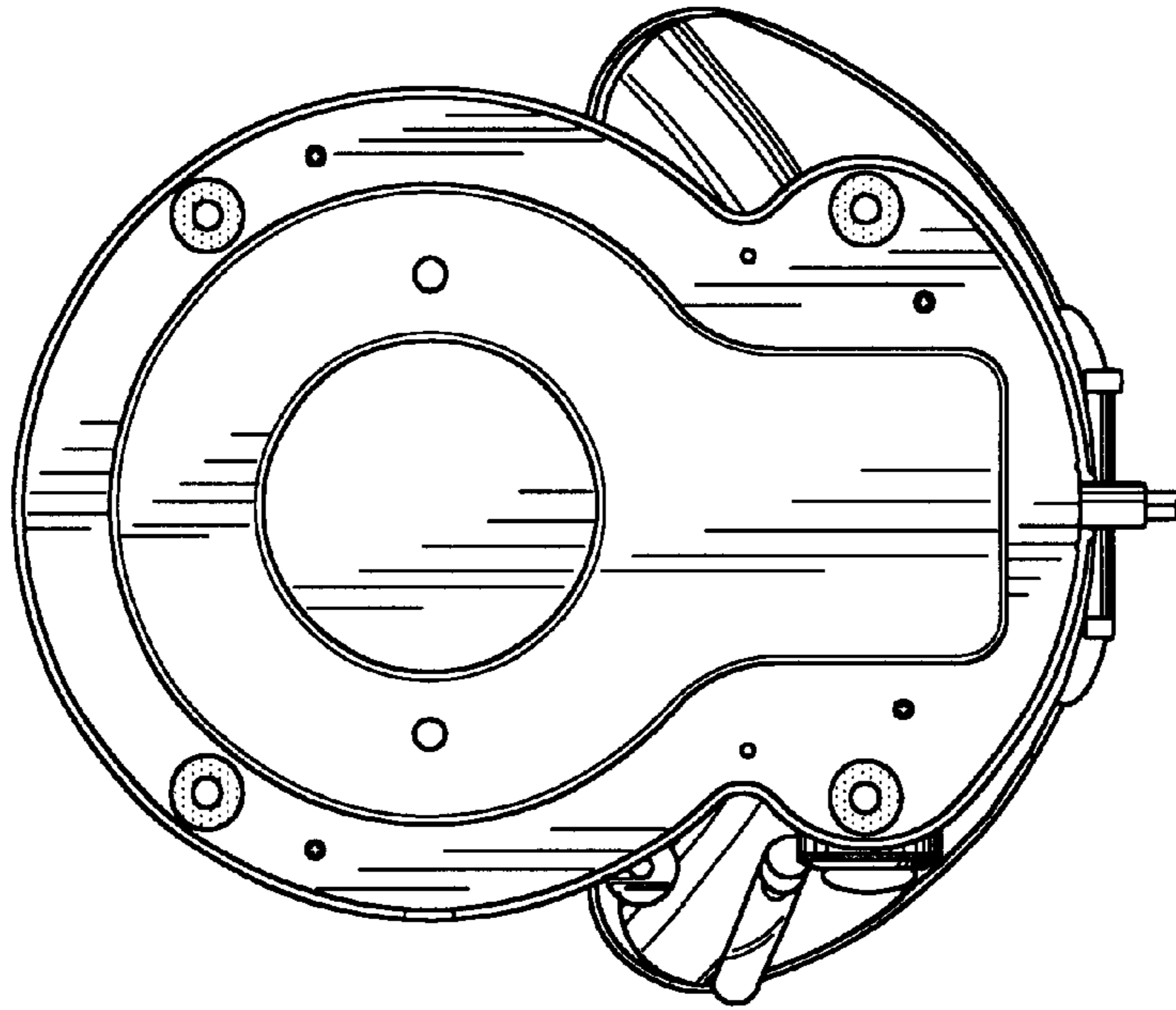


FIG. 7

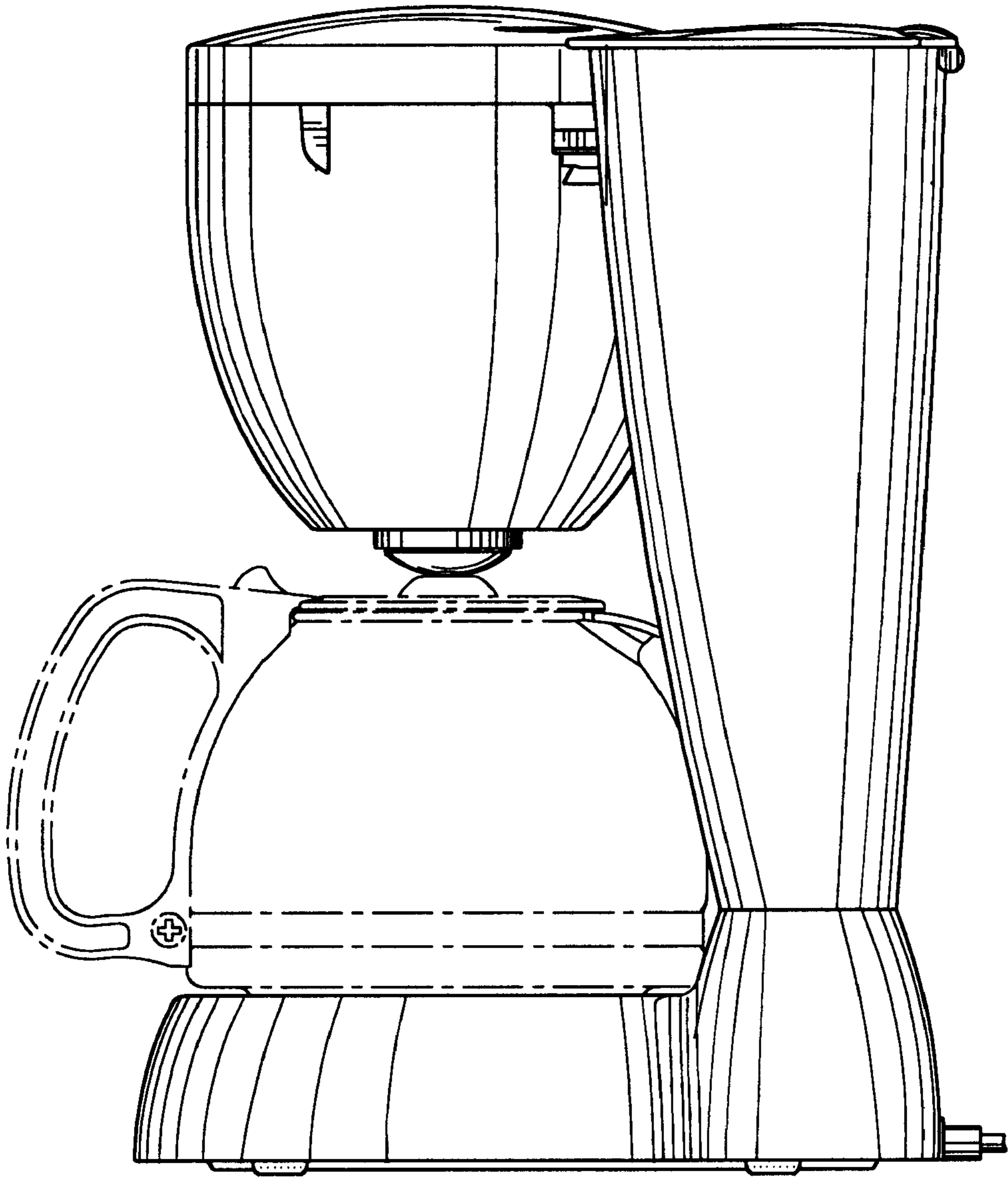


FIG. 8