



US00D444979S

(12) **United States Design Patent**
Green

(10) **Patent No.:** **US D444,979 S**

(45) **Date of Patent:** **** Jul. 17, 2001**

(54) **BUGGY STEP SHELF**

(76) Inventor: **Samuel R. Green**, 100 Pinecrest Dr.,
Beaver Falls, PA (US) 15010

(**) Term: **14 Years**

(21) Appl. No.: **29/125,529**

(22) Filed: **Jun. 26, 2000**

(51) **LOC (7) Cl.** **06-04**

(52) **U.S. Cl.** **D6/574**

(58) **Field of Search** D6/512, 553, 567,
D6/574; 108/28, 29; 211/13.1, 86.01, 87.01,
126.1, 134

(56) **References Cited**

U.S. PATENT DOCUMENTS

D. 242,965	1/1977	Box .
D. 243,049	1/1977	Roberts .
D. 272,401	1/1984	Spamer .
D. 273,649	5/1984	Spamer .
D. 286,611	11/1986	Handler et al. .
D. 286,719	11/1986	Ferdinand .
D. 295,126	4/1988	Chap .
D. 305,190	12/1989	Winter et al. .
D. 306,878	3/1990	Crowley .

(List continued on next page.)

Primary Examiner—Brian N. Vinson

(74) *Attorney, Agent, or Firm*—Thorp Reed & Armstrong,
LLP

(57) **CLAIM**

The ornamental design of the buggy step shelf, as shown and described.

DESCRIPTION

FIG. 1 is a perspective view of the first embodiment of the buggy step shelf of the present invention.

FIG. 2 is a front elevational view of the buggy step shelf of FIG. 1.

FIG. 3 is a rear elevational view of the buggy step shelf of FIG. 1.

FIG. 4 is a side view of the buggy step shelf of FIG. 2.

FIG. 5 is a top plan view of the buggy step shelf of FIG. 1.

FIG. 6 is a bottom plan view of the buggy step shelf of FIG. 1.

FIG. 7 is a perspective view of the second embodiment of the buggy step shelf of the present invention.

FIG. 8 is a front elevational view of the buggy step shelf of FIG. 7.

FIG. 9 is a rear elevational view of the buggy step shelf of FIG. 7.

FIG. 10 is a side view of the buggy step shelf of FIG. 7.

FIG. 11 is a top plan view of the buggy step shelf of FIG. 7.

FIG. 12 is a bottom plan view of the buggy step shelf of FIG. 7.

FIG. 13 is a perspective view of the third embodiment of the buggy step shelf of the present invention.

FIG. 14 is a front elevational view of the buggy step shelf of FIG. 13.

FIG. 15 is a rear elevational view of the buggy step shelf of FIG. 13.

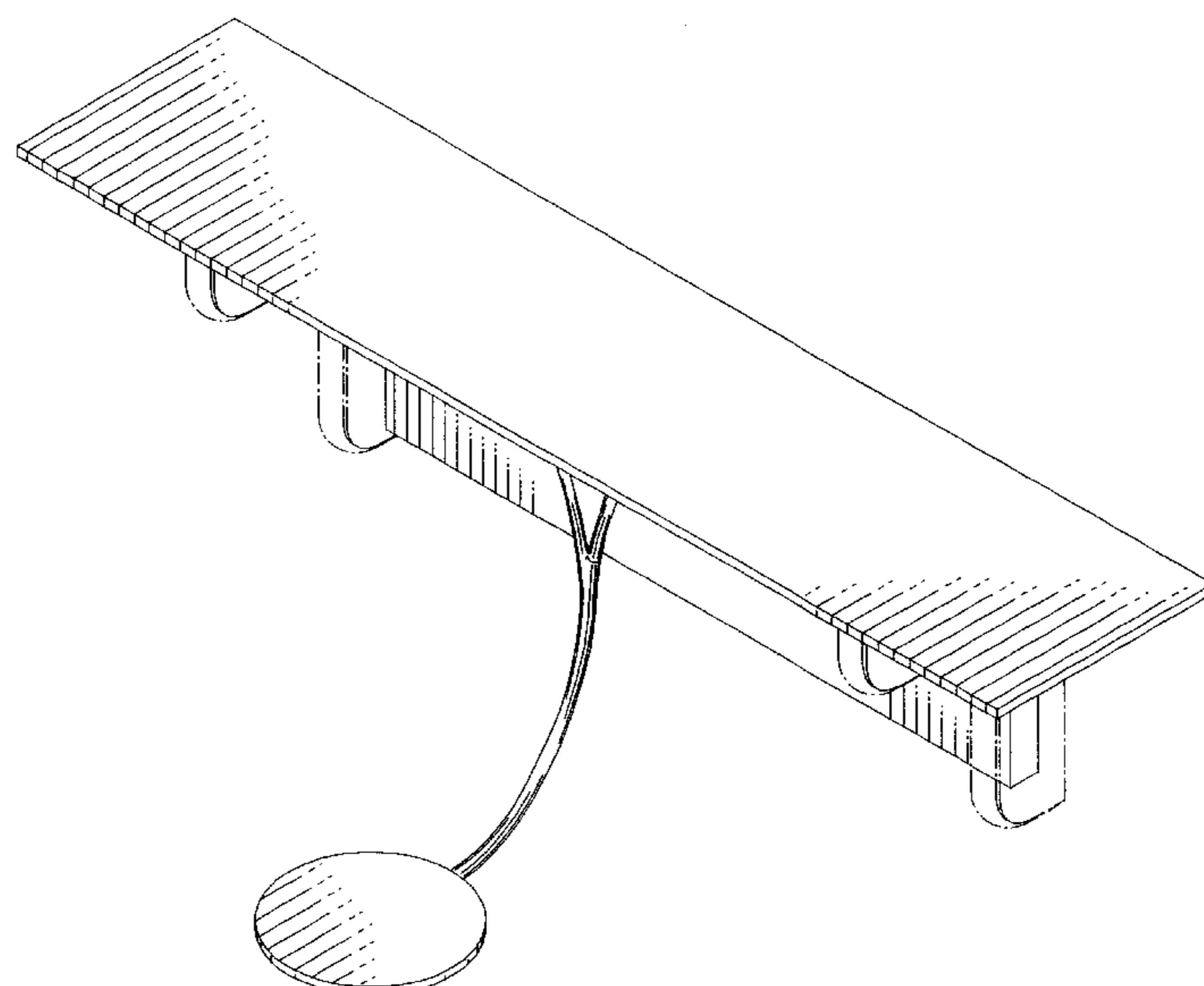
FIG. 16 is a side view of the buggy step shelf of FIG. 13.

FIG. 17 is a top plan view of the buggy step shelf of FIG. 13; and,

FIG. 18 is a bottom plan view of the buggy step shelf of FIG. 13.

The broken-line disclosure of elements in the views are for illustrative purposes only and form no part of the claimed design.

1 Claim, 9 Drawing Sheets



US D444,979 S

Page 2

U.S. PATENT DOCUMENTS

D. 311,126	10/1990	Crowley .	D. 390,728	2/1998	Herman et al. .
D. 313,566	1/1991	Tumidei .	D. 391,106	2/1998	Camilo .
D. 348,366	7/1994	Stravitz .	D. 391,795	3/1998	Pellerin .
D. 349,003	7/1994	Horton et al. .	D. 392,828 *	3/1998	Lauer D6/574
D. 351,524	10/1994	Belokin, Jr. .	D. 395,770	7/1998	Grosfillex .
D. 362,762	10/1995	Emalfarb et al. .	D. 400,384	11/1998	Belokin et al. .
D. 364,290	11/1995	Watts .	D. 404,232	1/1999	Kump et al. .
D. 370,148	5/1996	Maharg .	D. 406,476	3/1999	Boije .
D. 372,137	7/1996	Hollinger .	D. 407,248	3/1999	Scholpp .
D. 375,861	11/1996	Belokin, Jr. .	D. 407,920	4/1999	Duffield .
D. 380,559	7/1997	Sweeney .	D. 409,035	5/1999	Belokin et al. .
D. 384,227	9/1997	Grosfillex .	D. 410,359	6/1999	Belokin et al. .
D. 386,019	11/1997	Grosfillex .	D. 412,421	9/1999	Belokin et al. .
D. 386,921	12/1997	Wikman .	D. 413,036	8/1999	Belokin et al. .
D. 388,988	1/1998	Twellmann .	D. 413,473	9/1999	Belokin et al. .
D. 389,345	1/1998	Grosfillex .	D. 413,474	9/1999	Belokin et al. .
D. 390,399	2/1998	Camilo .	D. 416,151	11/1999	Grosfillex .

* cited by examiner

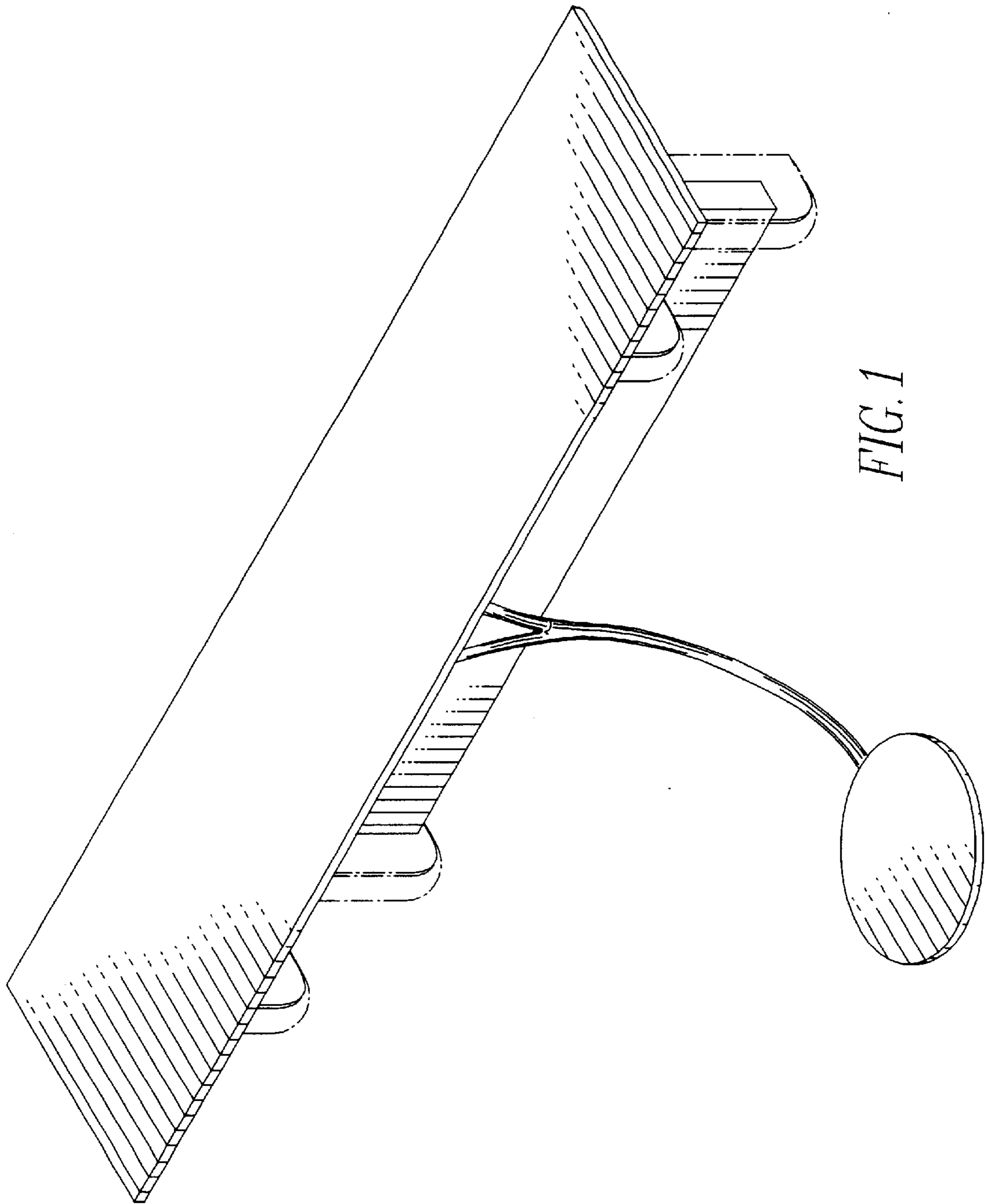
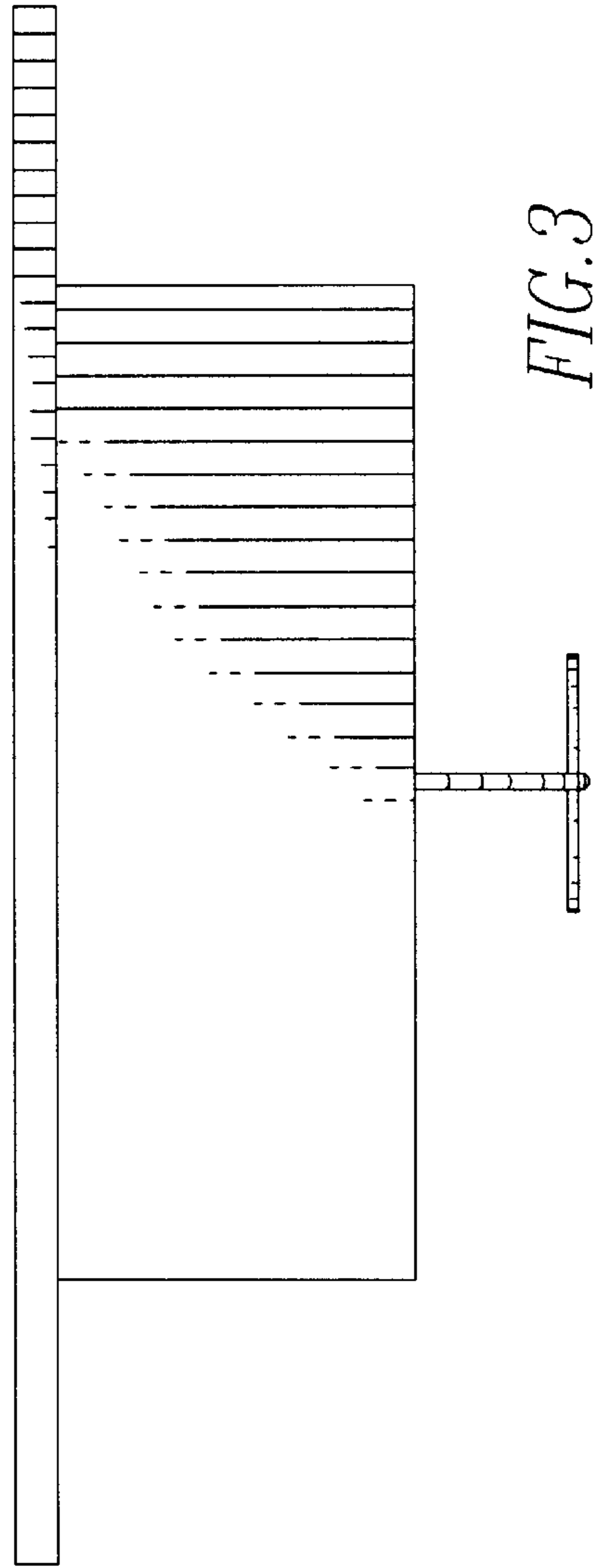
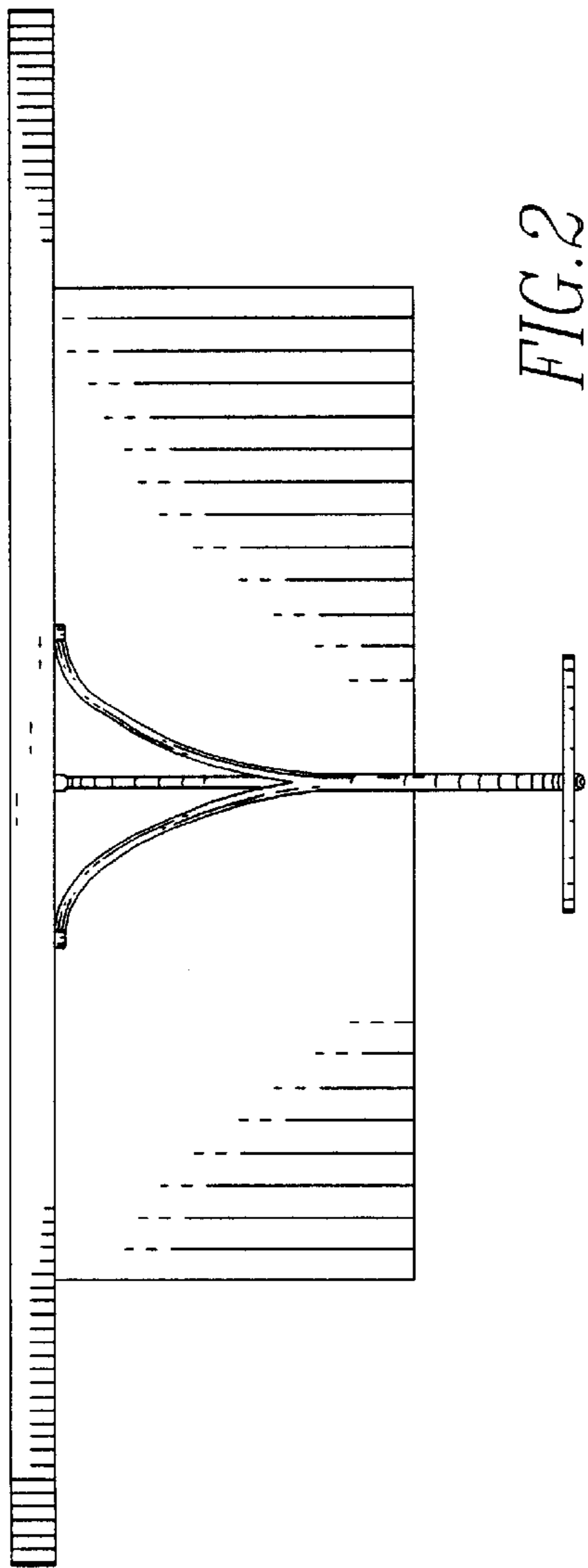
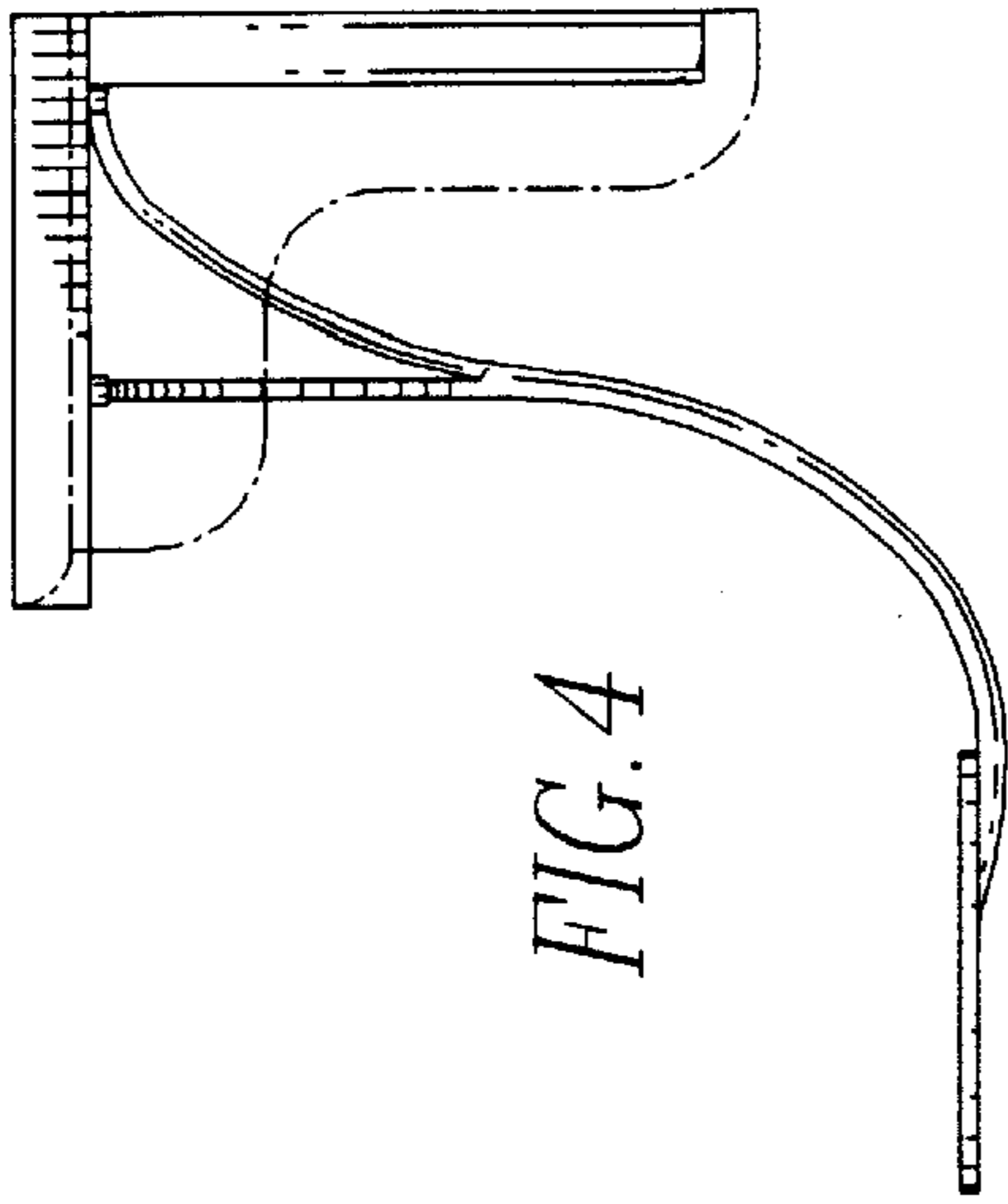


FIG. 1



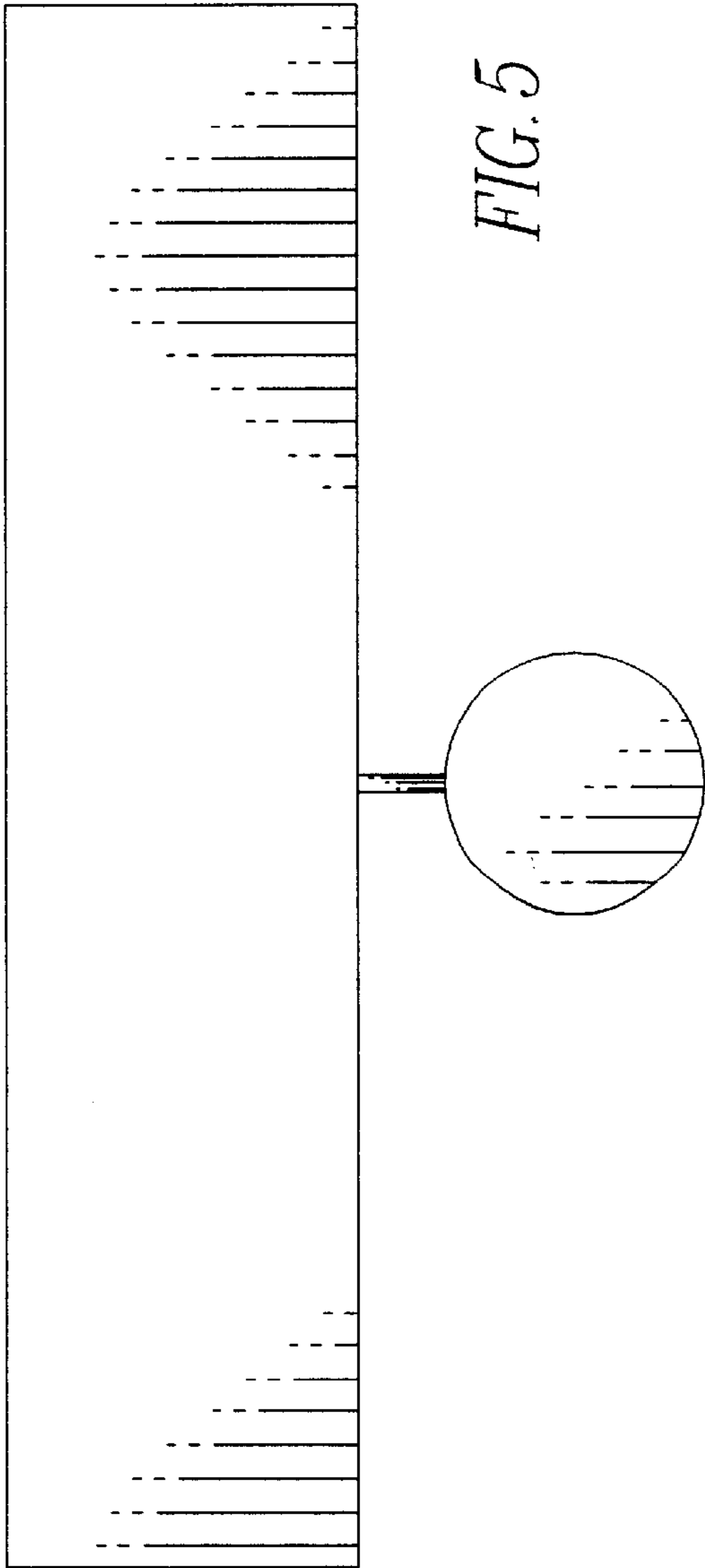


FIG. 5

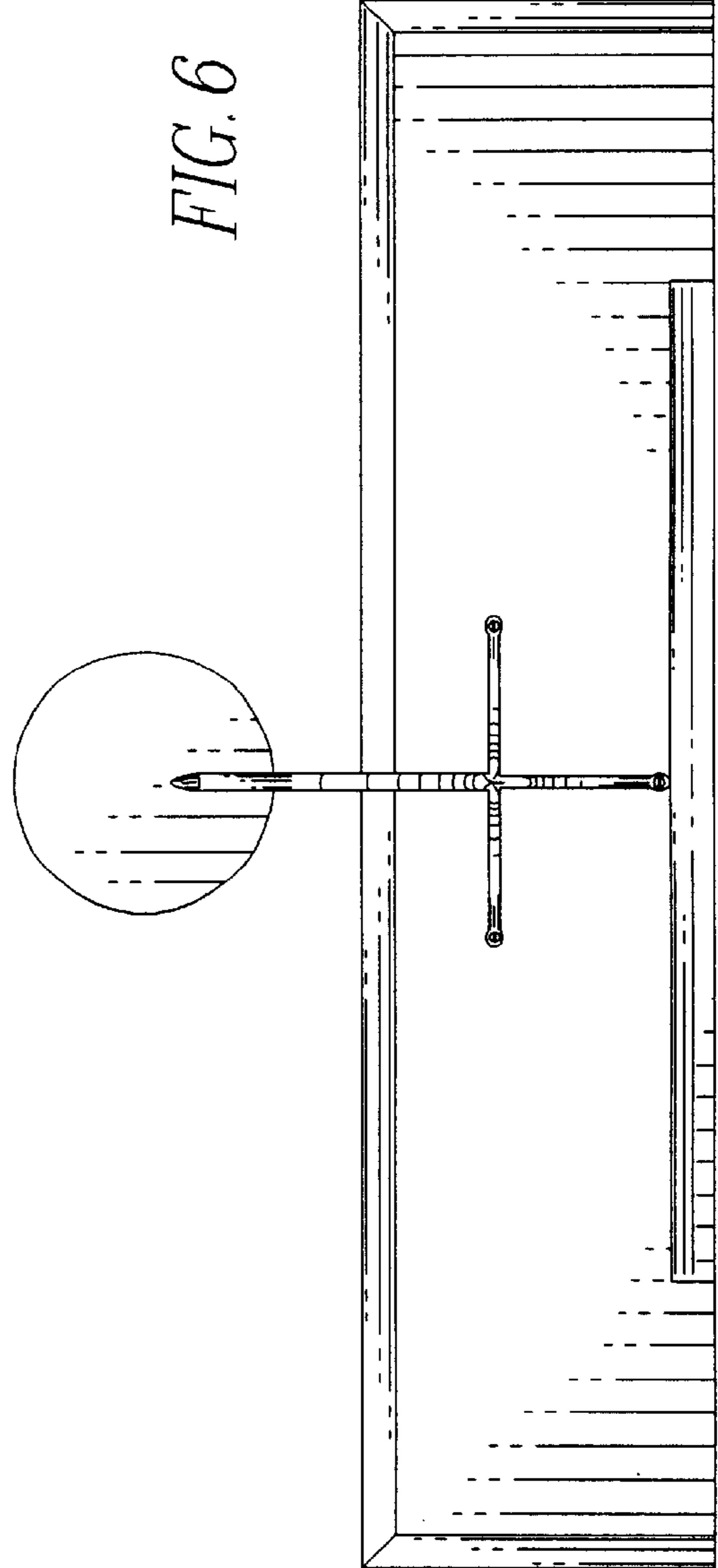


FIG. 6

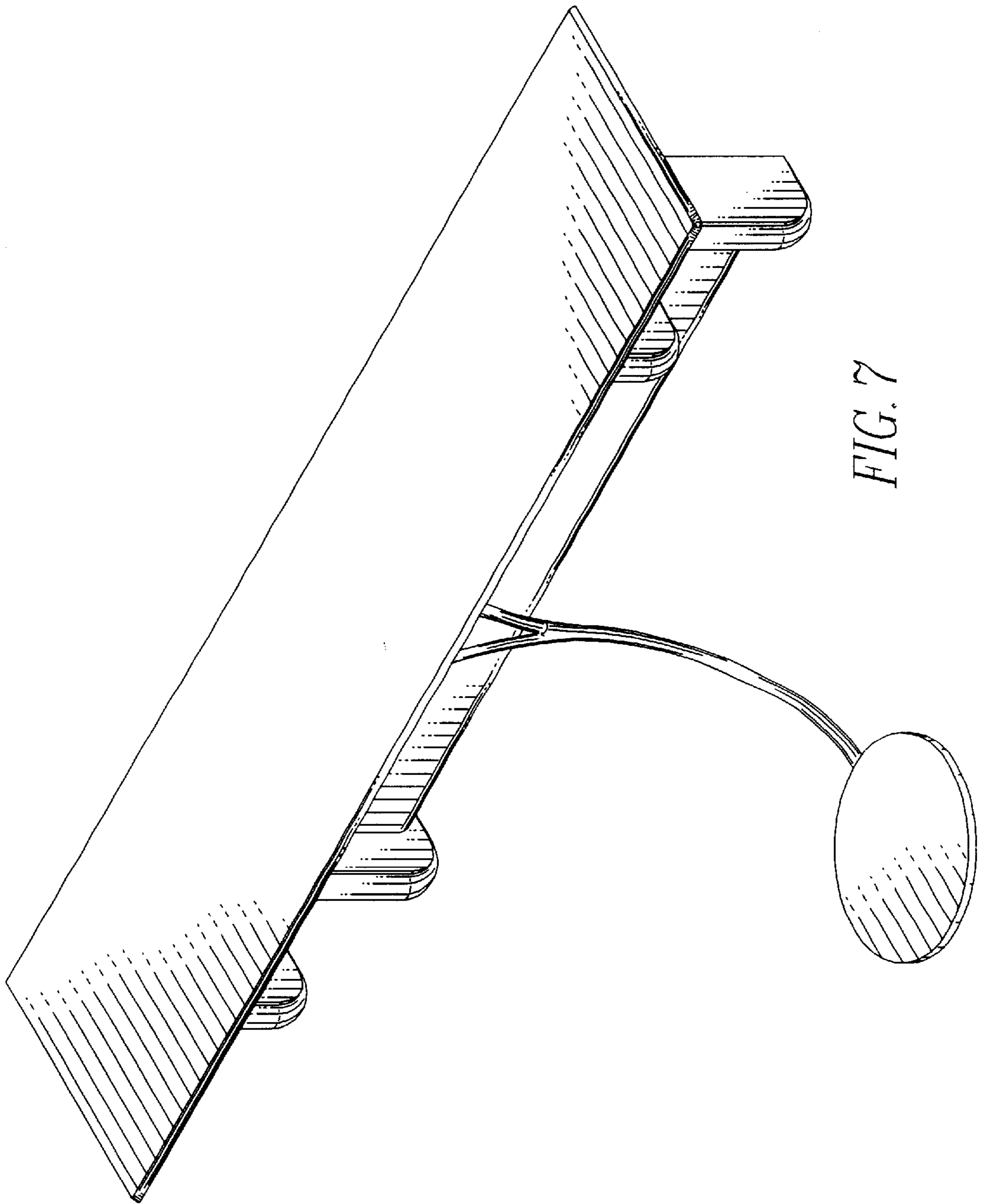


FIG. 7

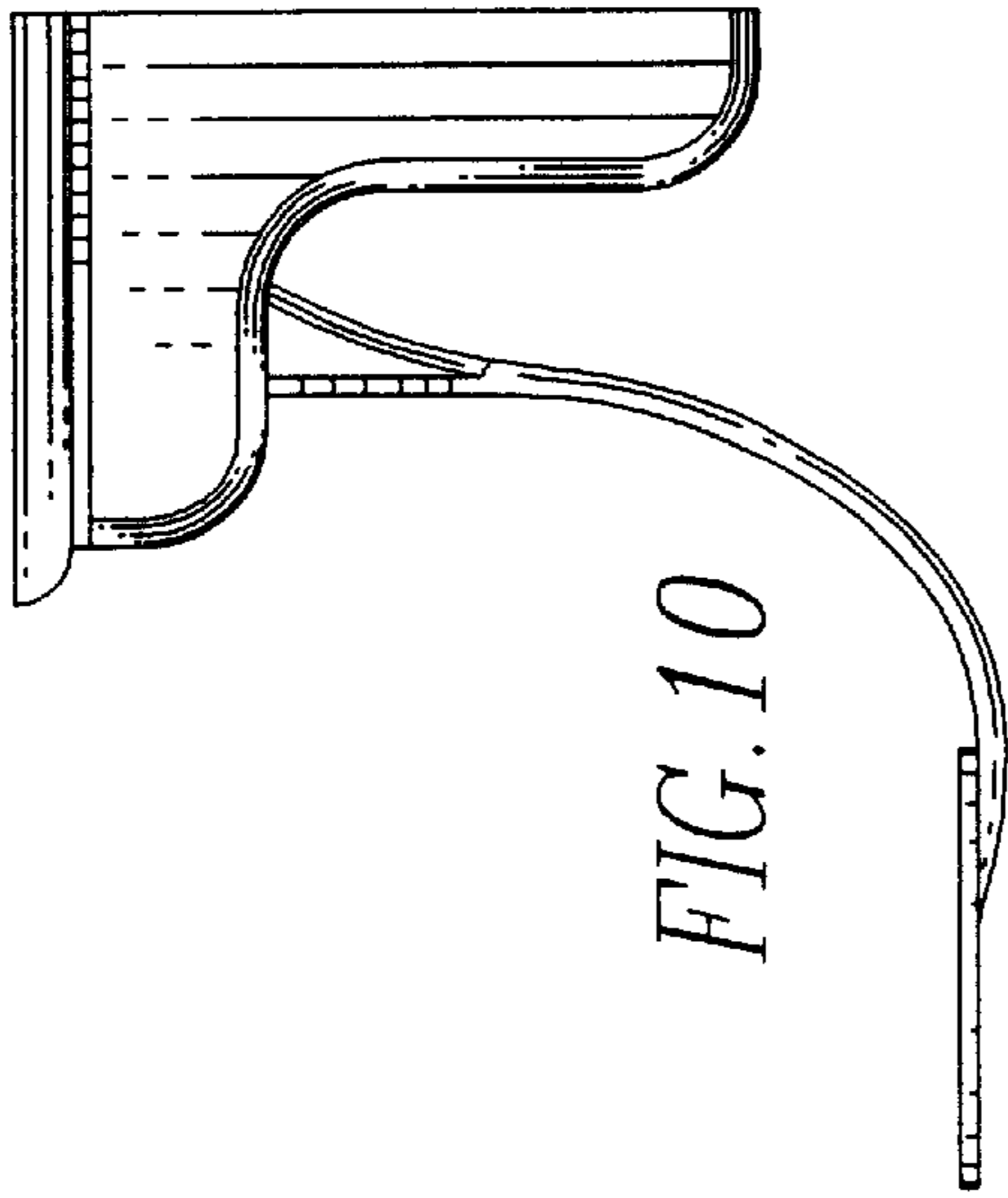


FIG. 10

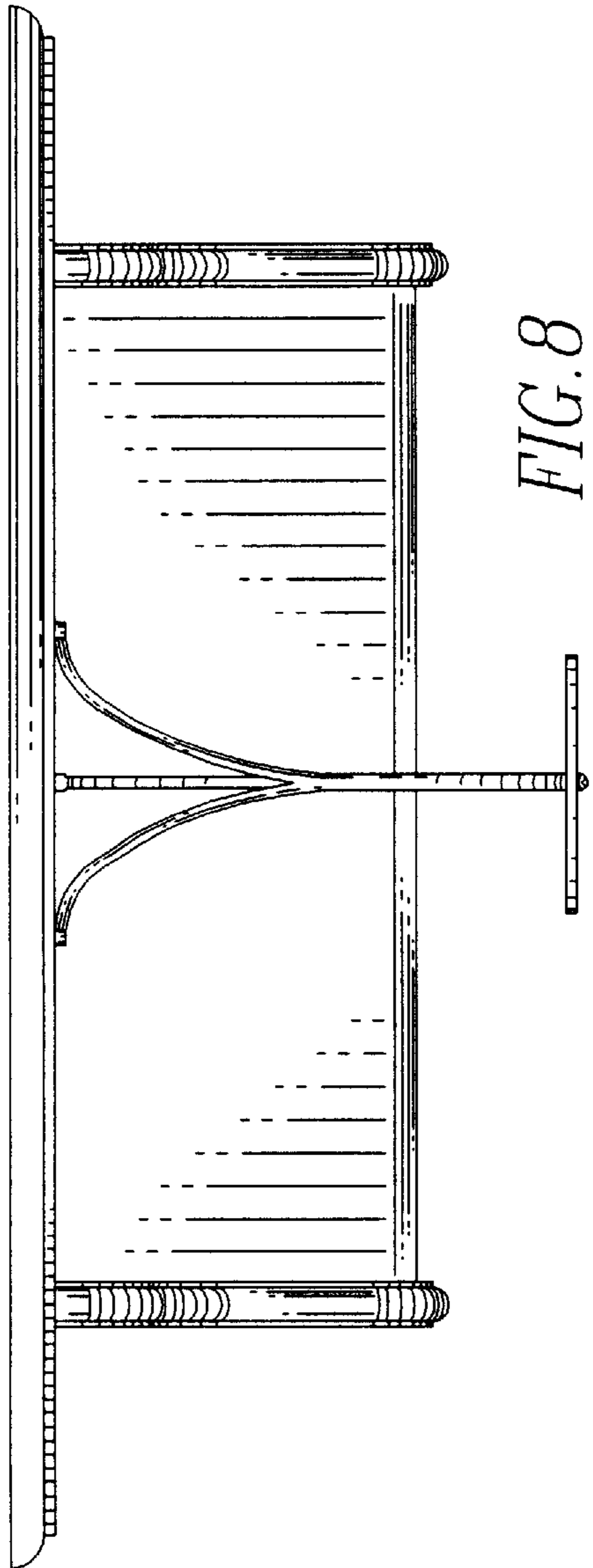


FIG. 8

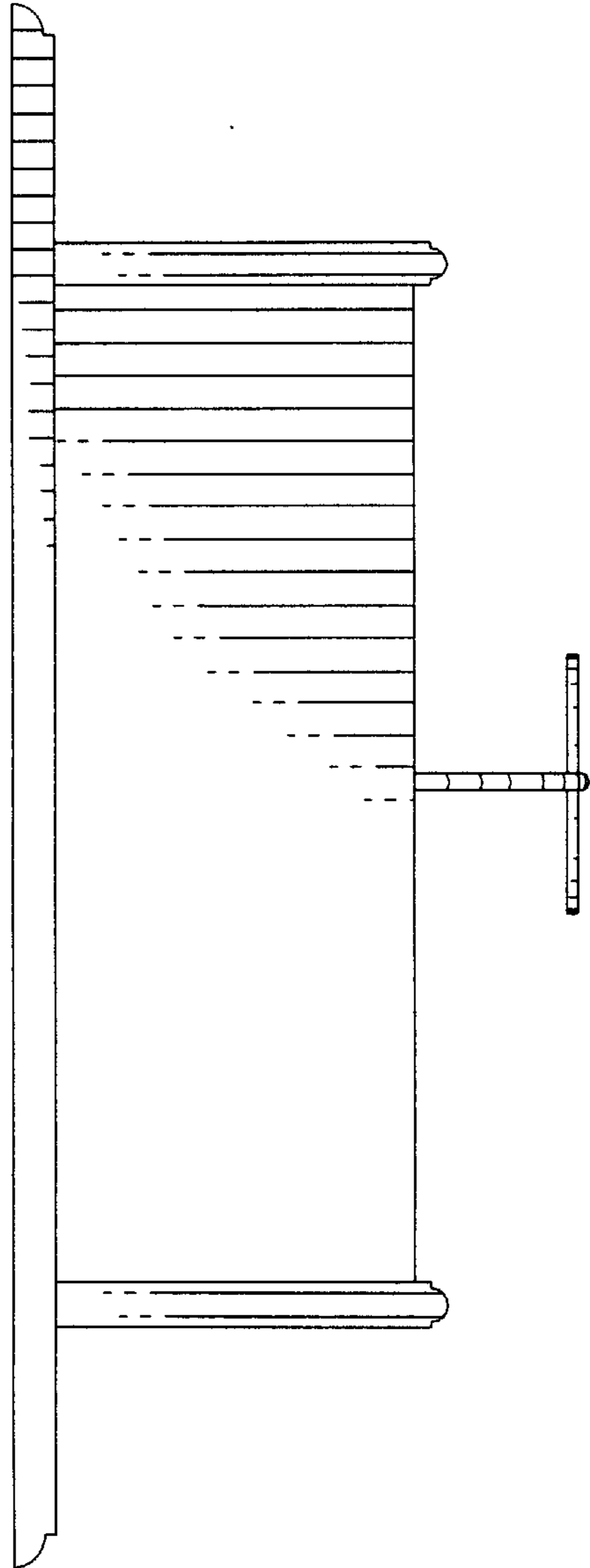


FIG. 9

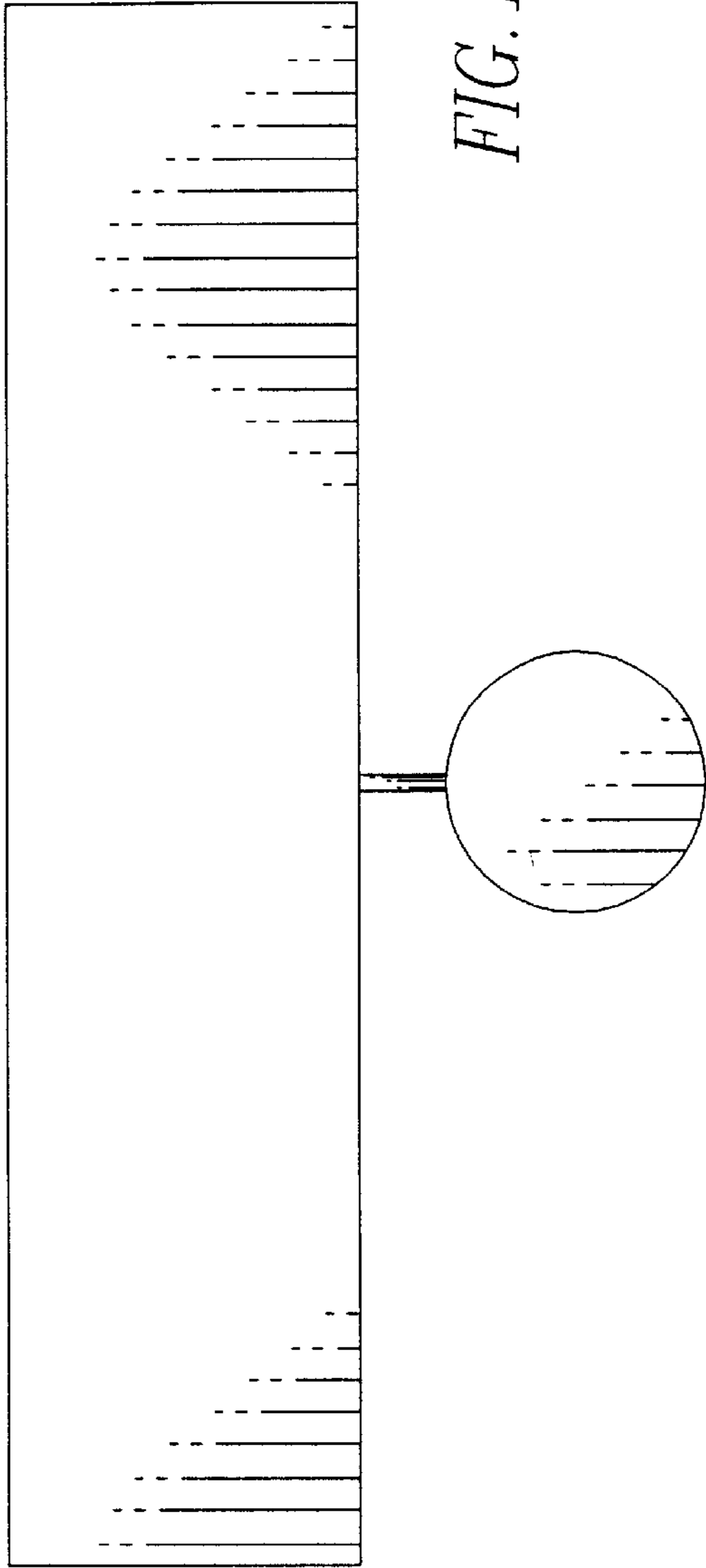


FIG. 11

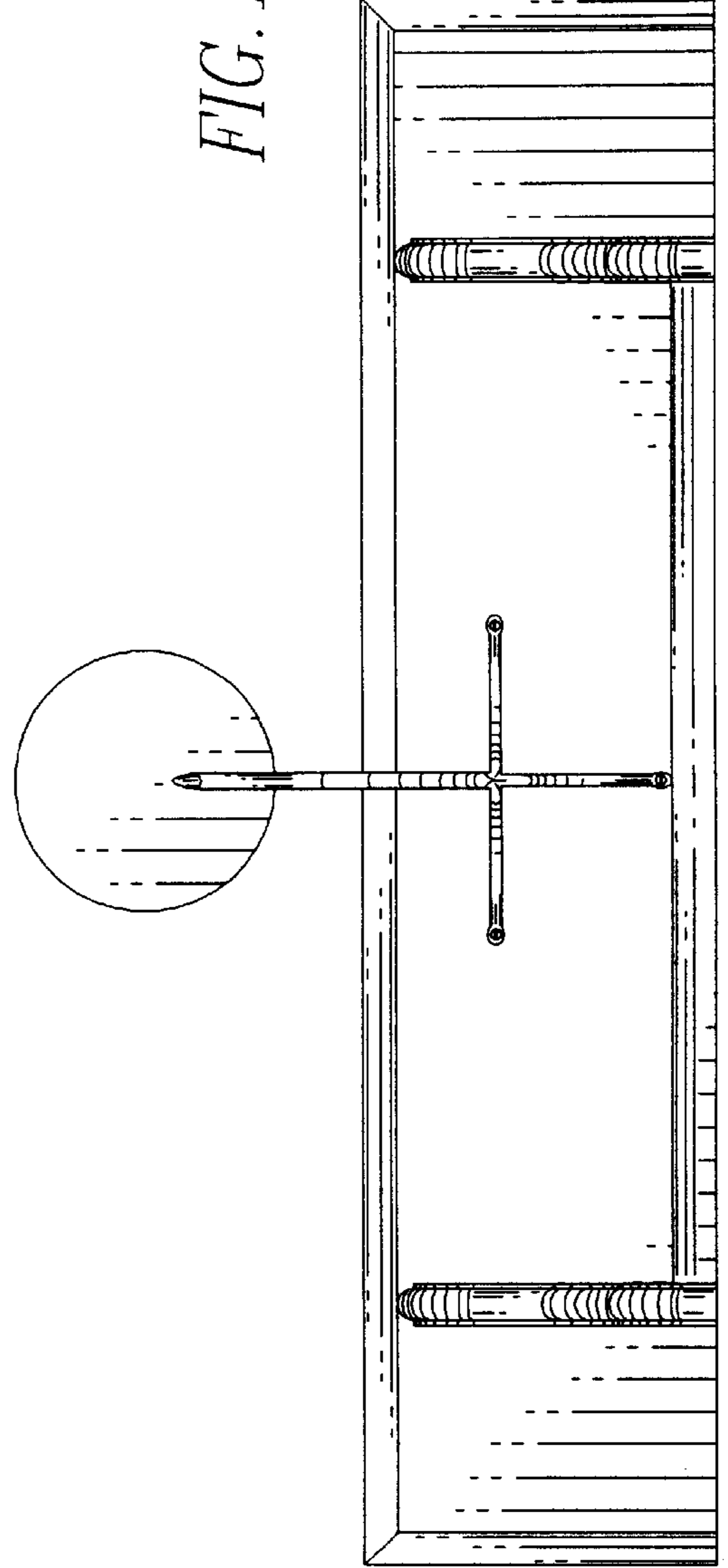


FIG. 12

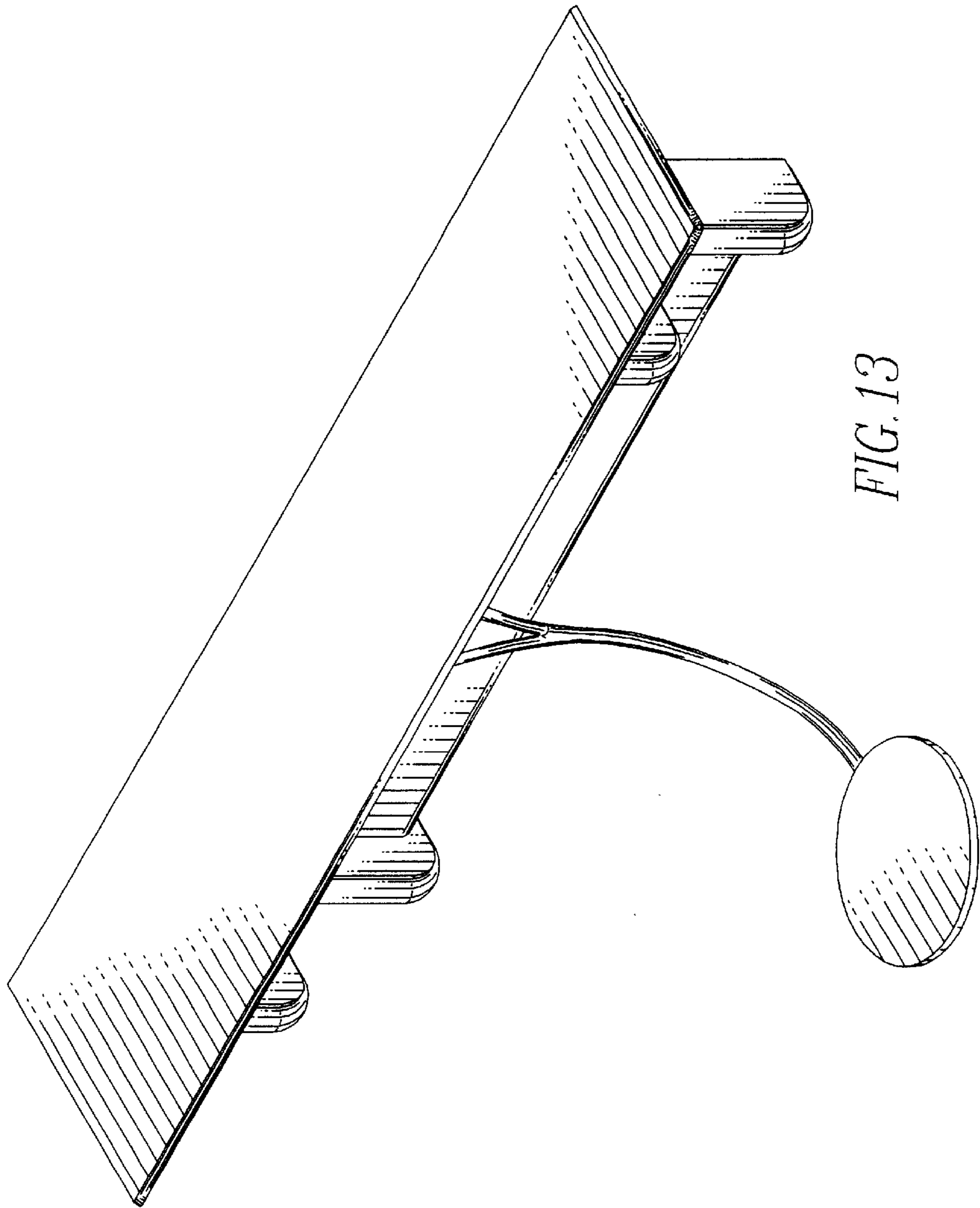


FIG. 13

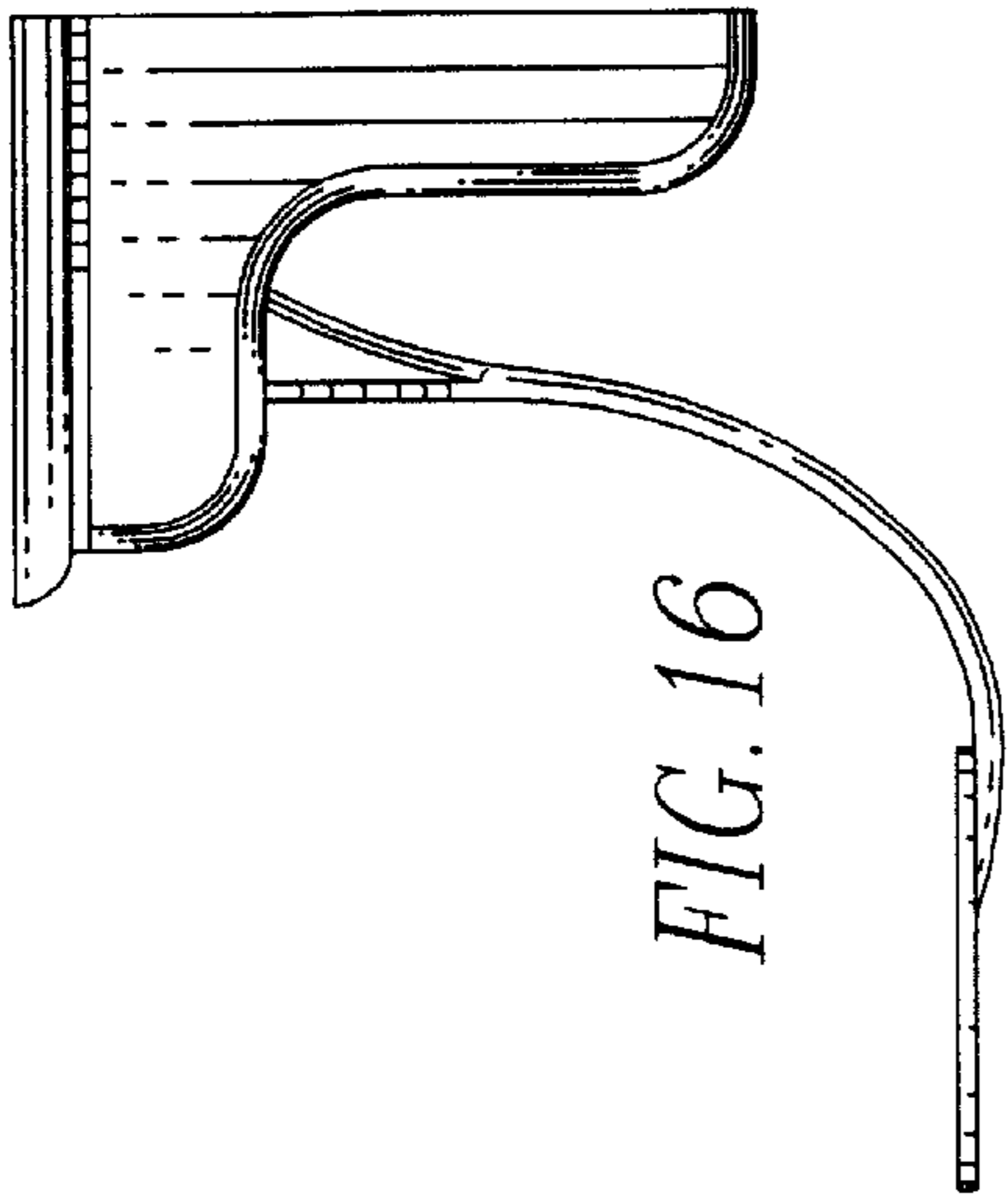


FIG. 16

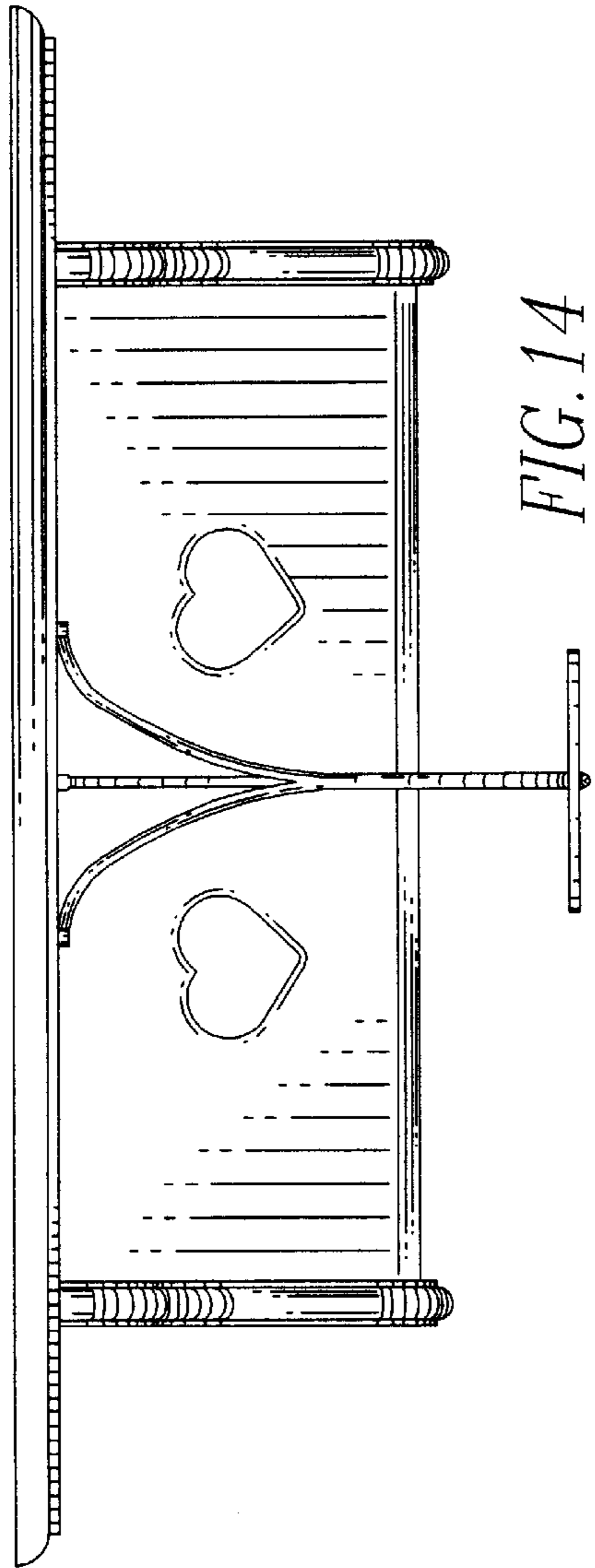


FIG. 14

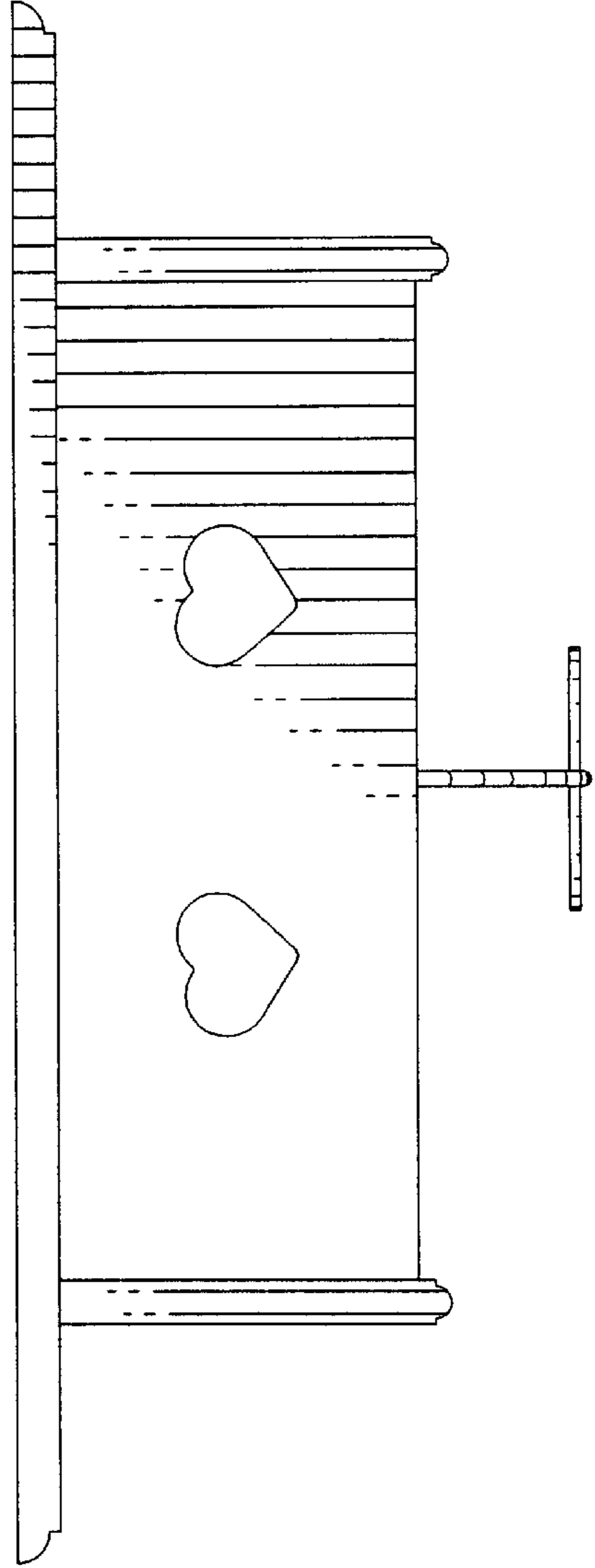


FIG. 15

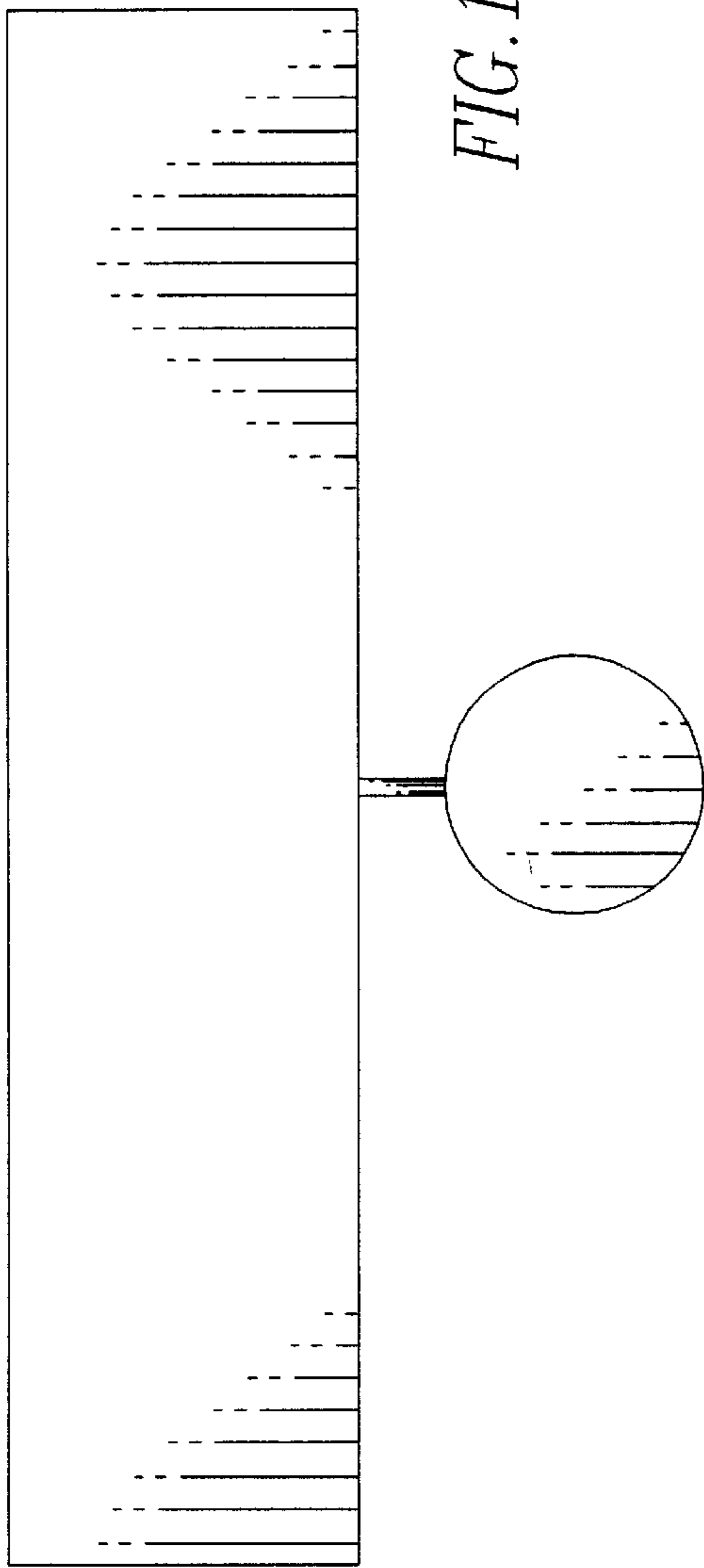


FIG. 17

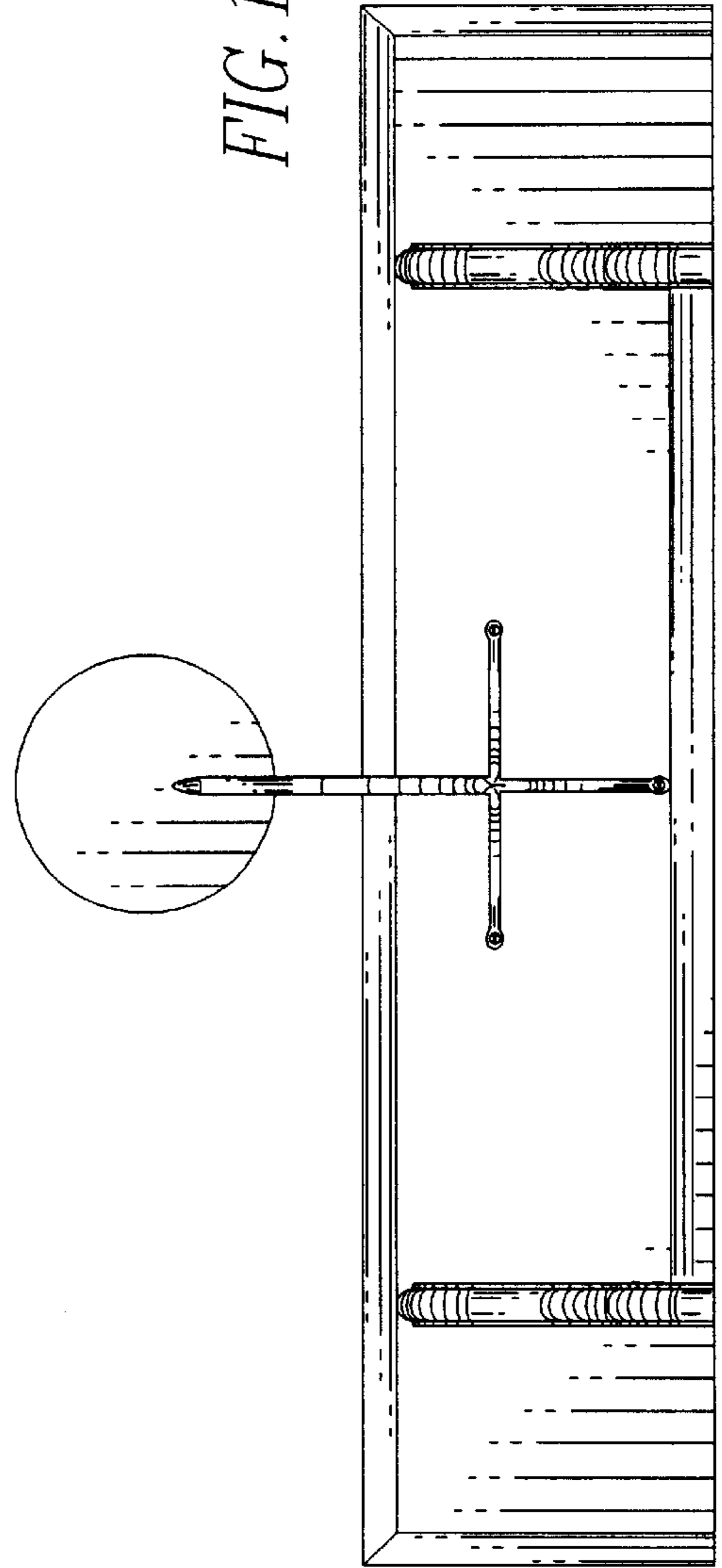


FIG. 18