



US00D444977S

(12) **United States Design Patent**
Ludwig

(10) **Patent No.:** **US D444,977 S**

(45) **Date of Patent:** **** Jul. 17, 2001**

(54) **LOTION AND SOAP DISPENSER**

(75) **Inventor:** **Erin R. Ludwig**, Franklin, IN (US)

(73) **Assignee:** **Franklin Plastics**, Franklin, IN (US)

(**) **Term:** **14 Years**

(21) **Appl. No.:** **29/087,767**

(22) **Filed:** **May 8, 1998**

(51) **LOC (7) Cl.** **06-02**

(52) **U.S. Cl.** **D6/542**

(58) **Field of Search** D6/542-545; D9/448,
D9/549; 222/92, 105, 173, 180, 181.1;
221/282, 283, 284

(56) **References Cited**

U.S. PATENT DOCUMENTS

D. 375,643	*	11/1996	Copeland et al.	D6/542
D. 390,394	*	2/1998	Hsu	D6/542
D. 406,482	*	3/1999	Kerr	D6/542
D. 416,154	*	11/1999	Diehl	D6/542

* cited by examiner

Primary Examiner—Marcus A. Jackson
(74) *Attorney, Agent, or Firm*—Woodard, Emhardt,
Naughton, Moriarty & McNett

(57) **CLAIM**

The ornamental design for a lotion and soap dispenser, as shown and described.

DESCRIPTION

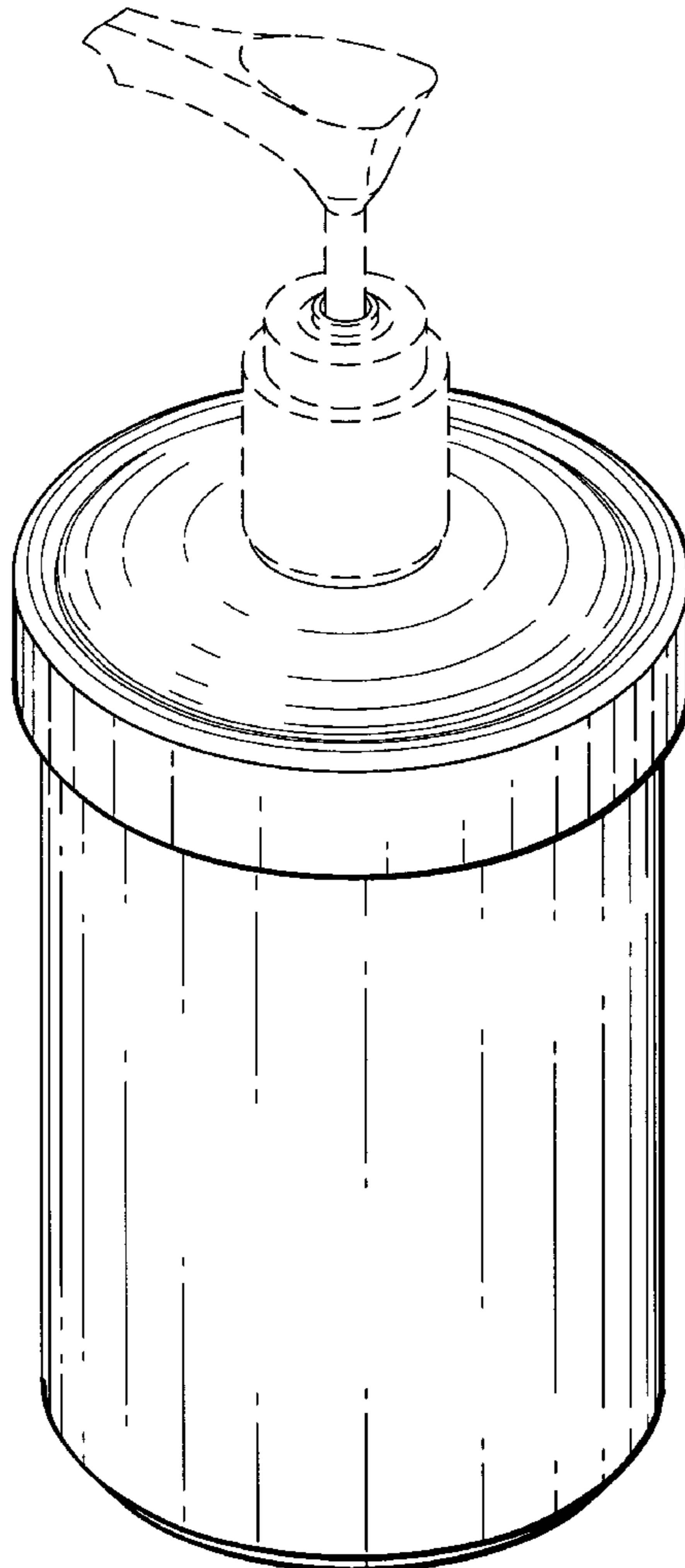
FIG. 1 is a side plan view of an embodiment of the design.
FIG. 2 is a top plan view of an embodiment of the design.
FIG. 3 is a bottom plan view of an embodiment of the design.

FIG. 4 is a perspective view of an embodiment of the design; and,

FIG. 5 is an exploded perspective view of an embodiment of the design.

A pump is shown in phantom to indicate the environment of the design, but is not a part of the design.

1 Claim, 3 Drawing Sheets



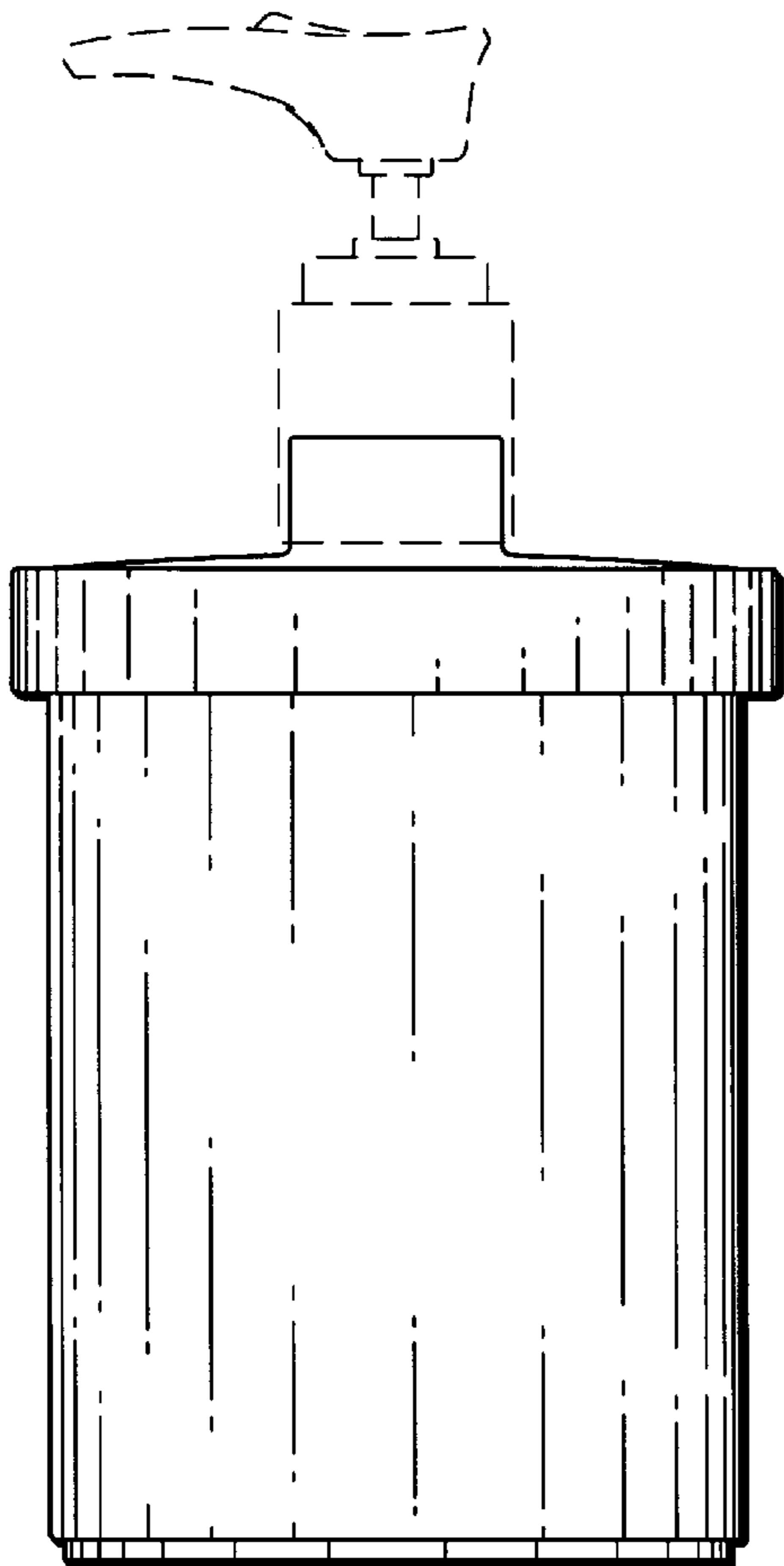


Fig. 1

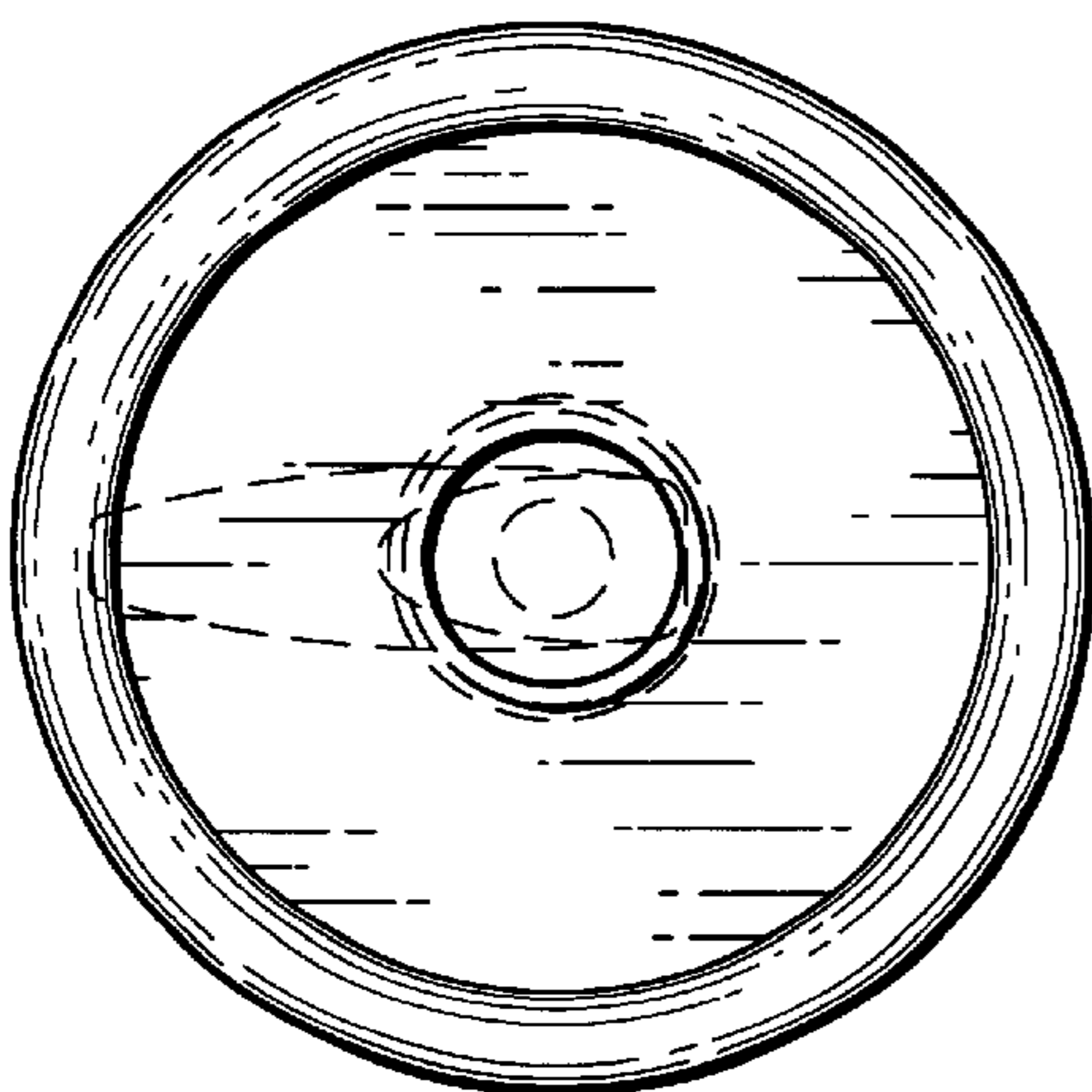


Fig. 2

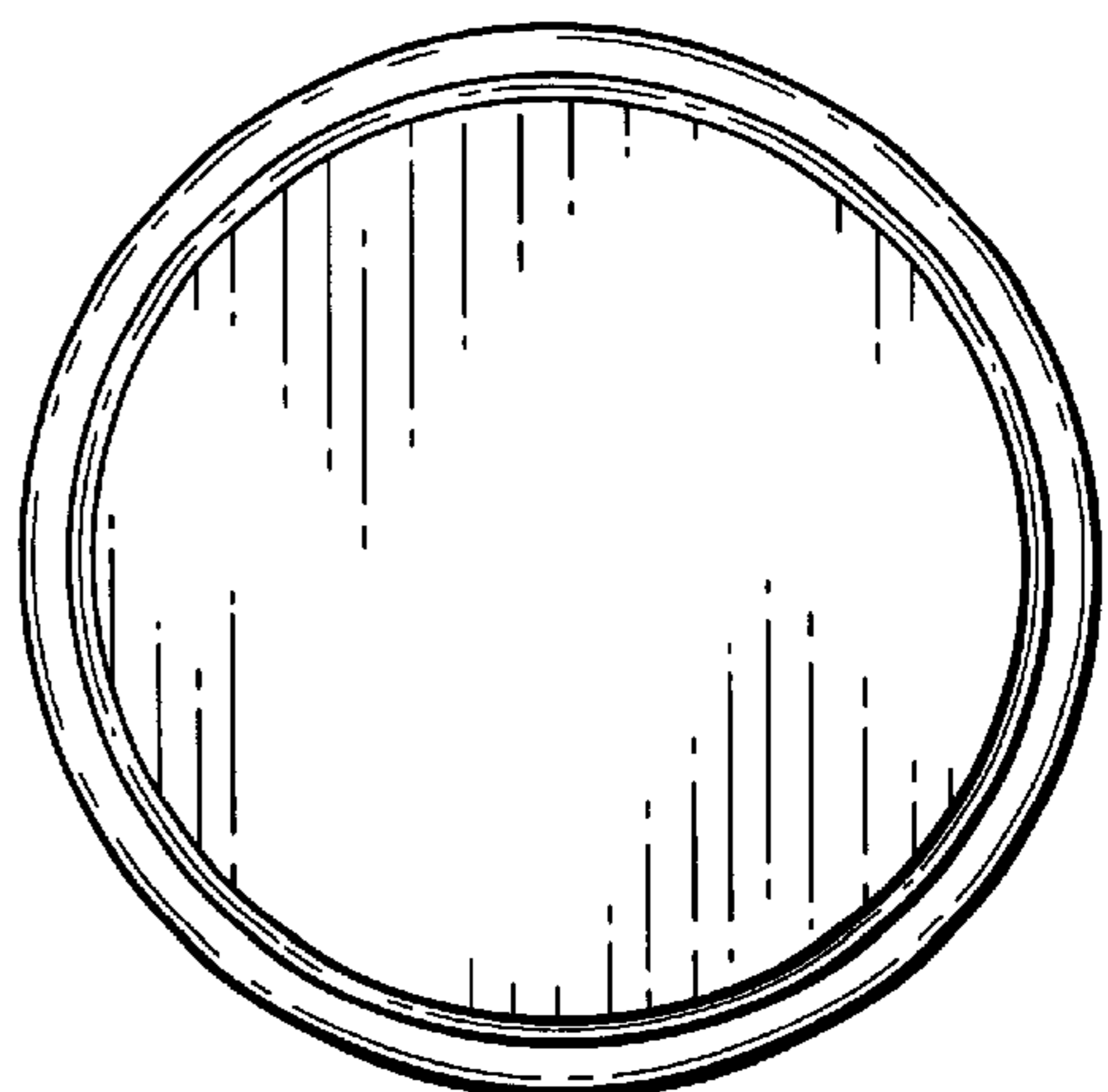


Fig. 3

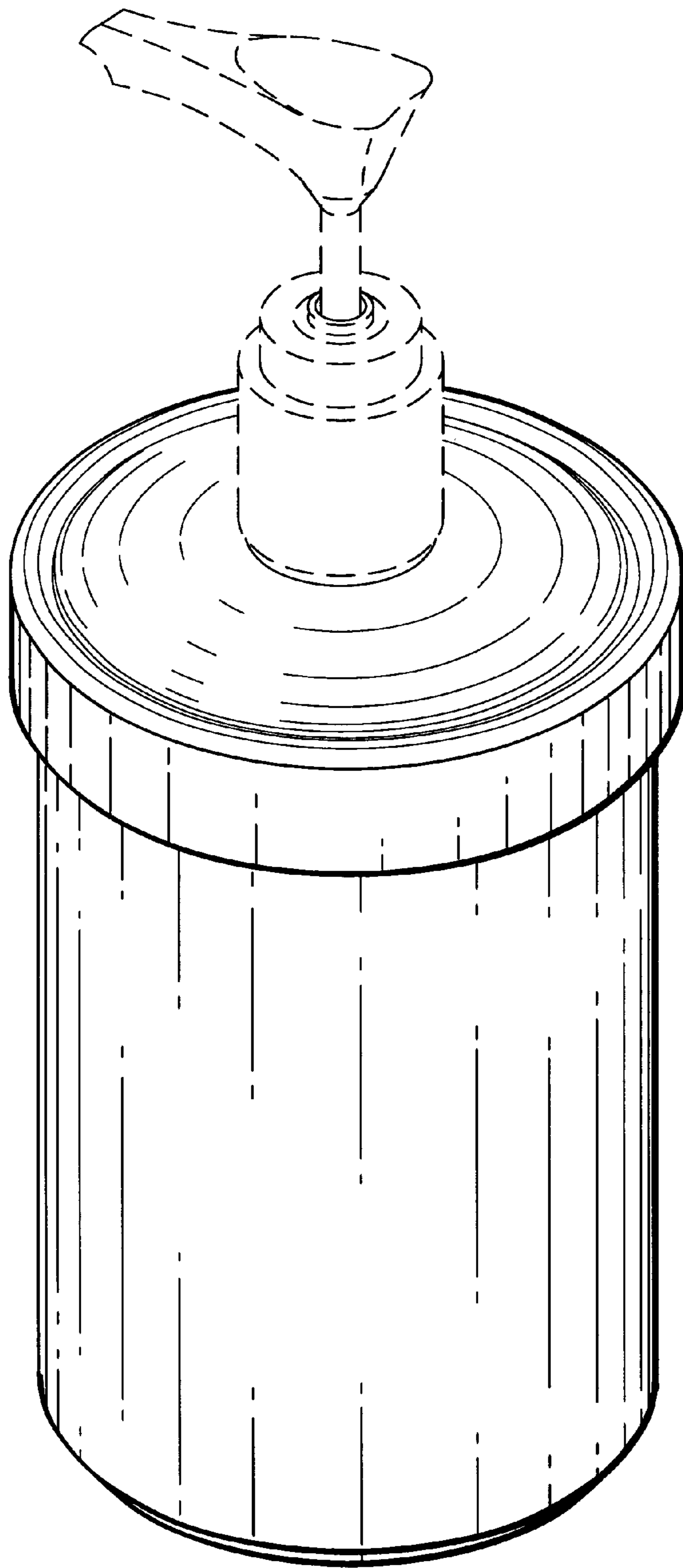


Fig. 4

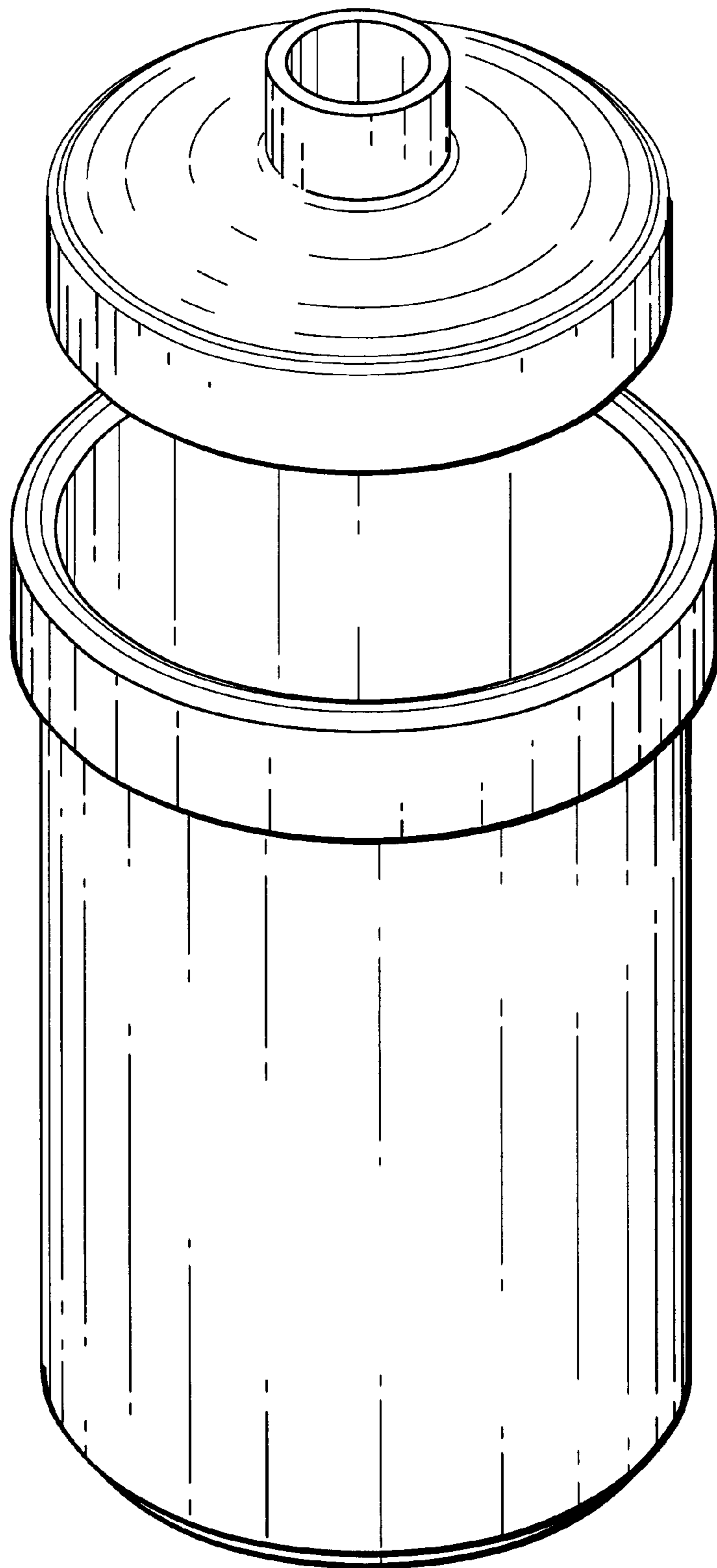


Fig. 5