



US00D444975S

(12) **United States Design Patent**
West

(10) **Patent No.:** **US D444,975 S**

(45) **Date of Patent:** **** Jul. 17, 2001**

(54) **EXPANDABLE SHELF**

4,192,562 3/1980 Bishoff et al. .
4,470,647 9/1984 Bishoff et al. .

(75) Inventor: **Robert A. West**, Shorewood, MN (US)

(List continued on next page.)

(73) Assignee: **Westerlund Products Corporation**,
Minnetonka, MN (US)

Primary Examiner—Prabhakar Deshmukh
(74) *Attorney, Agent, or Firm*—Schwegman, Lundberg,
Woessner & Kluth, P.A.

(**) Term: **14 Years**

(21) Appl. No.: **29/125,360**

(22) Filed: **Jun. 22, 2000**

(51) **LOC (7) Cl.** **06-04**

(52) **U.S. Cl.** **D6/511**

(58) **Field of Search** D6/509–511, 491,
D6/492, 494, 495, 486; D25/19, 119–125;
108/59, 61, 64, 67, 73, 102, 179, 143, 147.11,
147.19; 138/118; 160/214, 99; 211/90.01,
90.02, 134, 153, 149, 187, 175; 248/241,
244, 235

(57) **CLAIM**

The ornamental design for an expandable shelf, as shown and described.

DESCRIPTION

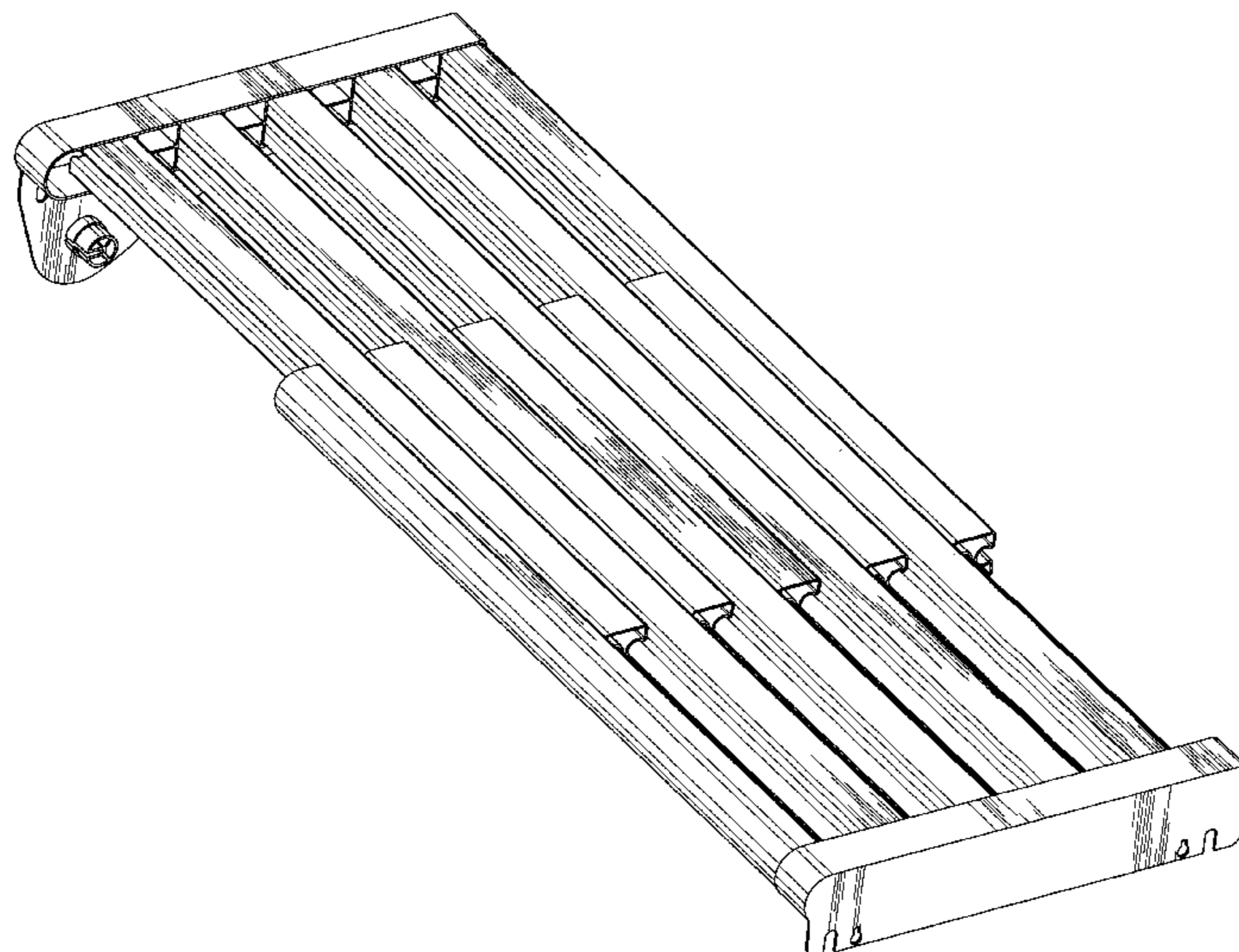
FIG. 1 is a perspective view of an expandable shelf, incorporating the new design;
FIG. 2 is a top plan of the expandable shelf of FIG. 1;
FIG. 3 is a front elevation of the expandable shelf of FIG. 1;
FIG. 4 is a bottom plan of the expandable shelf of FIG. 1;
FIG. 5 is a rear elevation of the expandable shelf of FIG. 1;
FIG. 6 is a left-side elevation of the expandable shelf of FIG. 1;
FIG. 7 is a right-side elevation of the expandable shelf of FIG. 1;
FIG. 8 is a partial cross-sectional view of a part of the expandable shelf of FIG. 1, showing the structure cut at line 8—8 only, without showing structure behind line 8—8, for clarity;
FIG. 9 is a partial cross-sectional view of a part of the expandable shelf of FIG. 1, showing the structure cut at line 9—9 only, without showing structure behind line 9—9, for clarity;
FIG. 10 is a partial cross-sectional view of a part of the expandable shelf of FIG. 1, showing the structure cut at line 10—10 only, without showing structure behind line 10—10, for clarity;
FIG. 11 is a perspective view of an alternative position of the expandable shelf of FIG. 1; and,
FIG. 12 is a top plan of a second embodiment of an expandable shelf, an expandable shelf of indeterminate length incorporating the new design.

(56) **References Cited**

U.S. PATENT DOCUMENTS

204,237	*	5/1878	Miller et al.	108/202 X
D. 314,682	*	2/1991	Kellems et al.	D6/511
330,380		11/1885	Cregmile .	
D. 355,551	*	2/1995	McNamara et al.	D6/511
D. 407,247	*	3/1999	Brezney .	D6/511
D. 426,089	*	6/2000	Vlah .	D6/491
563,467		7/1896	Farwell .	
622,666		4/1899	Burwell .	
779,262		1/1905	Burke .	
934,148		9/1909	Duff .	
1,682,060		8/1928	Banks .	
2,205,730		6/1940	Morgan .	
2,294,595		9/1942	Dice .	
2,545,844		3/1951	Cougias .	
2,888,305		5/1959	Perry .	
3,650,588		3/1972	Helland .	
3,836,218		9/1974	Hallal .	
4,036,369		7/1977	Eisenberg .	
4,106,735		8/1978	Partain et al. .	
4,155,312		5/1979	Thorkildson .	

1 Claim, 6 Drawing Sheets



US D444,975 S

Page 2

U.S. PATENT DOCUMENTS					
			5,423,597	6/1995	Rogers .
			5,553,824	9/1996	Dutra, Jr. 238/346.07
			5,586,666	12/1996	Squitieri .
			5,605,238	2/1997	Jacobs .
			5,762,208	6/1998	Yeh 211/40
			6,021,908 *	2/2000	Mathews 211/175
			6,142,321 *	11/2000	West 211/153
4,478,337	10/1984	Flum .			
4,535,896	8/1985	Evenson .			
4,553,523	11/1985	Stohrer et al. 126/9 B			
4,696,406	9/1987	Karashima et al. .			
4,723,665	2/1988	Benedict et al. .			
4,938,365	7/1990	Conway et al. .			
5,295,596 *	3/1994	Squitieri 211/175			* cited by examiner

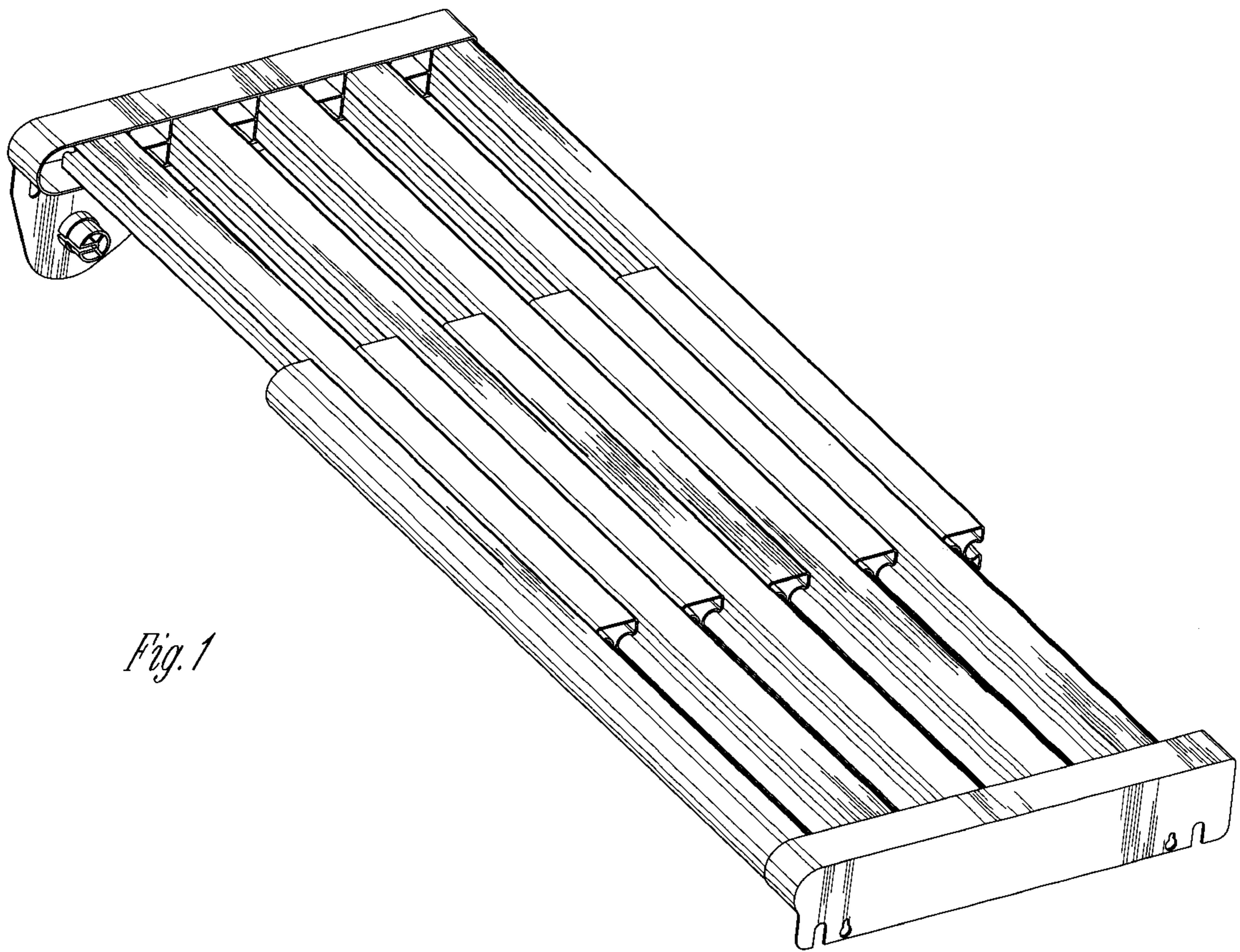
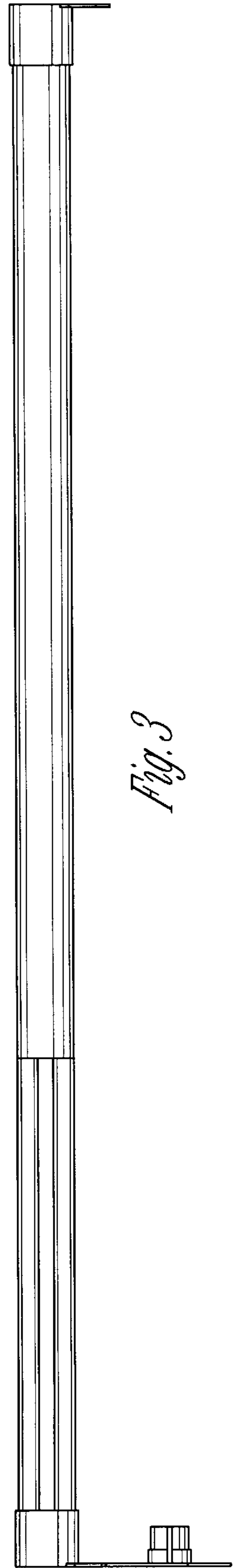
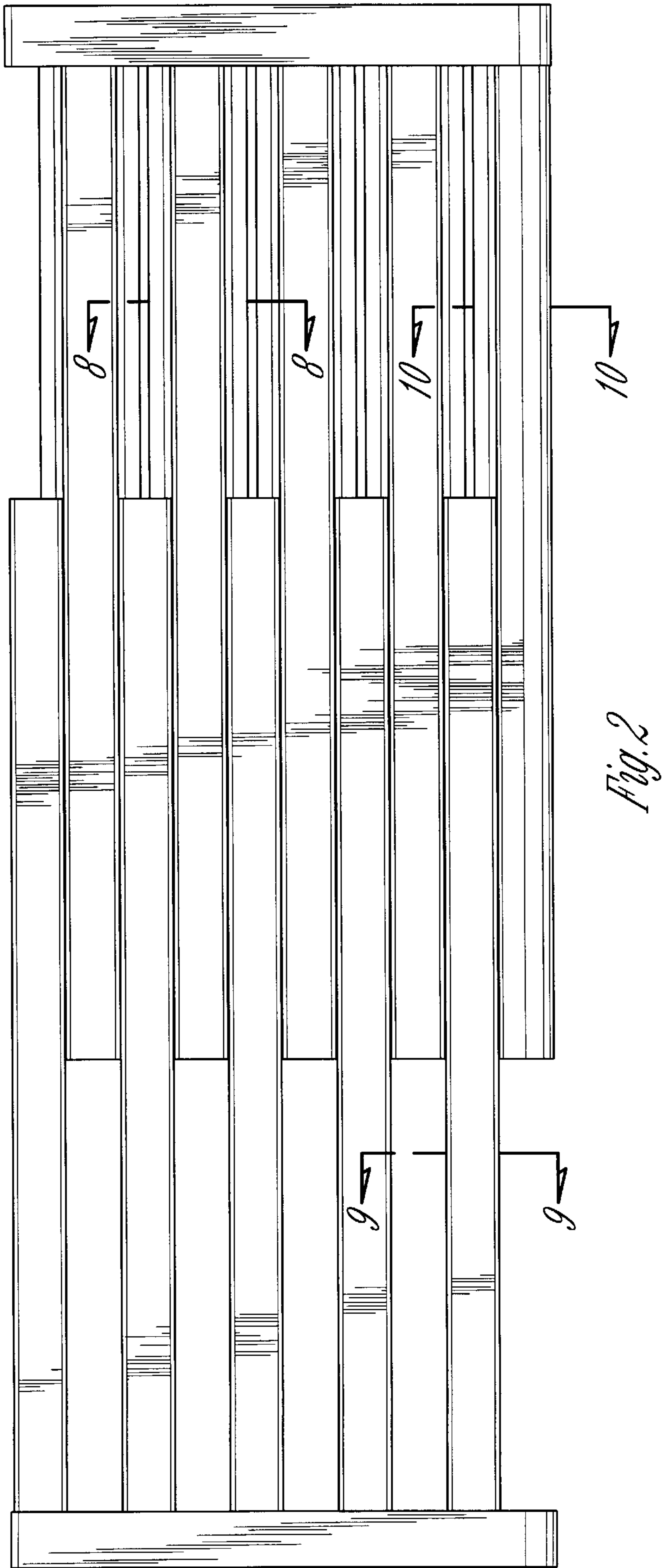


Fig. 1



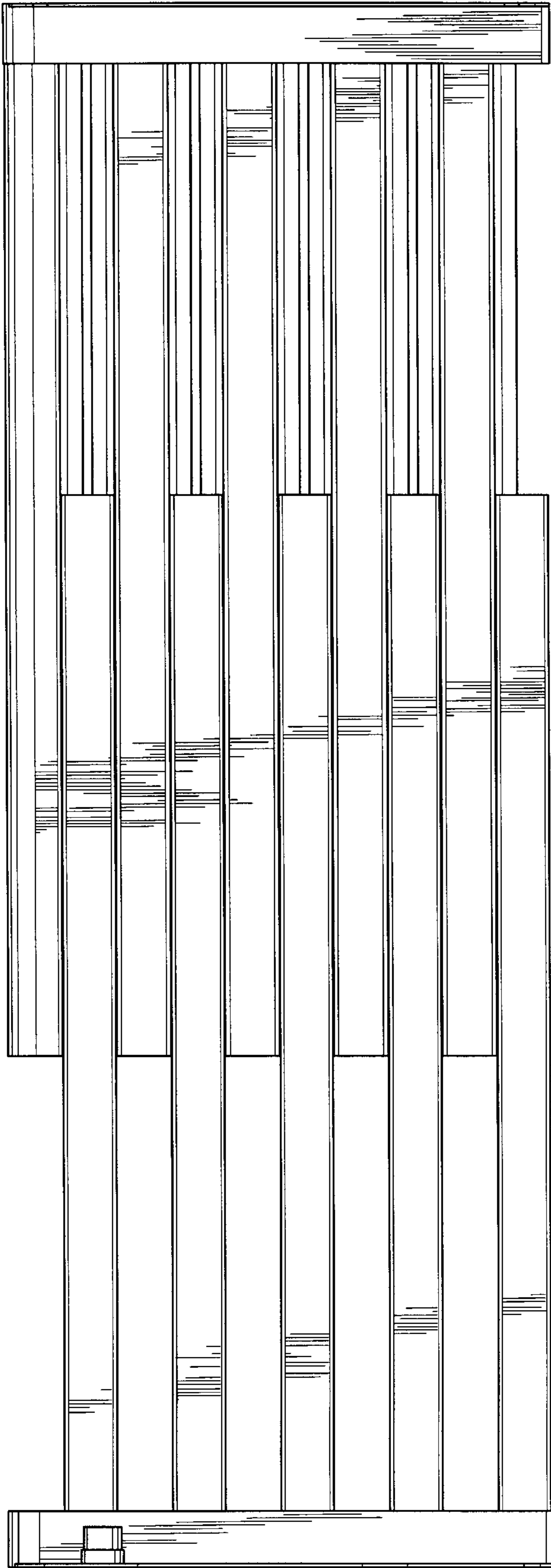


Fig. 4

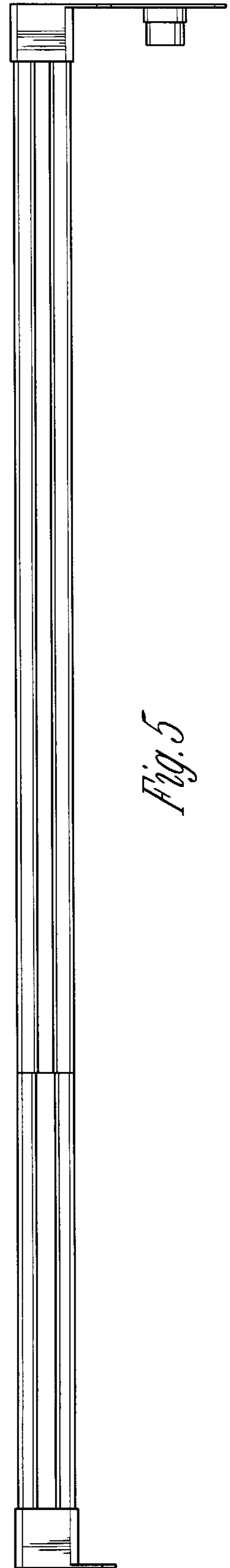


Fig. 5

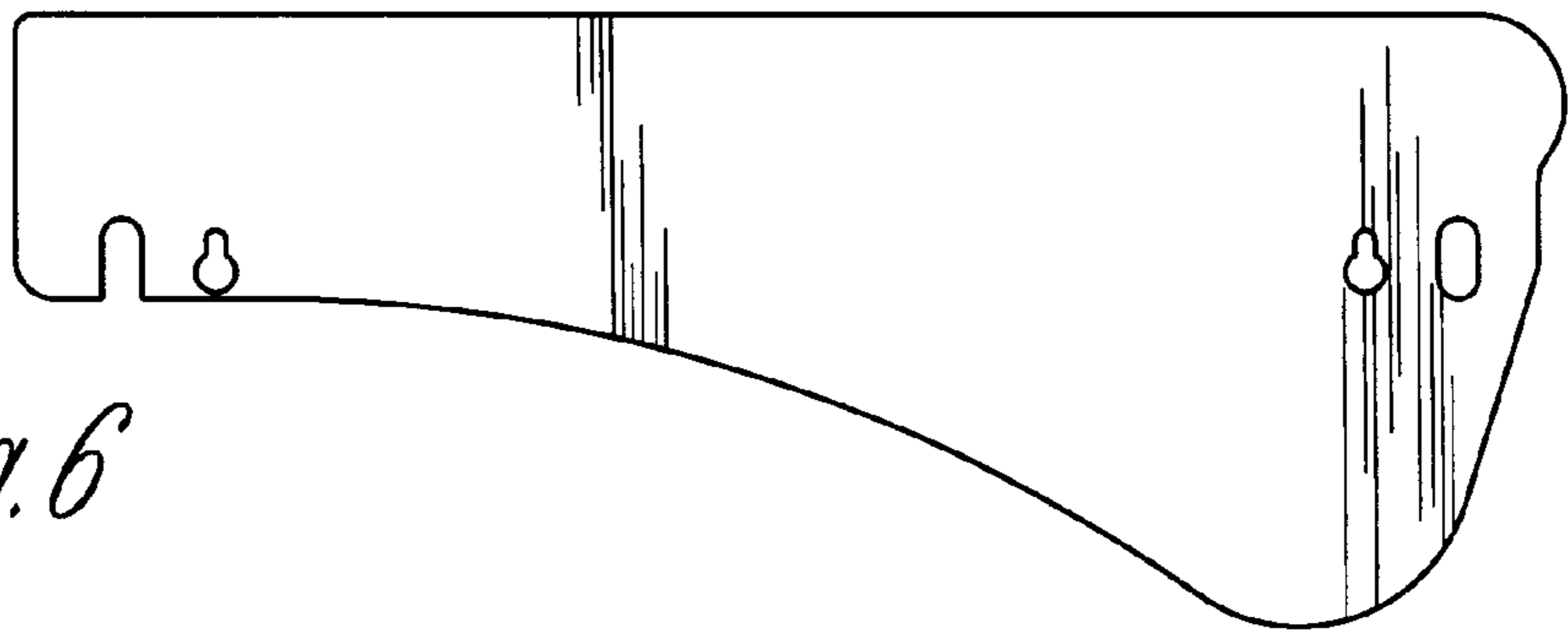


Fig. 6

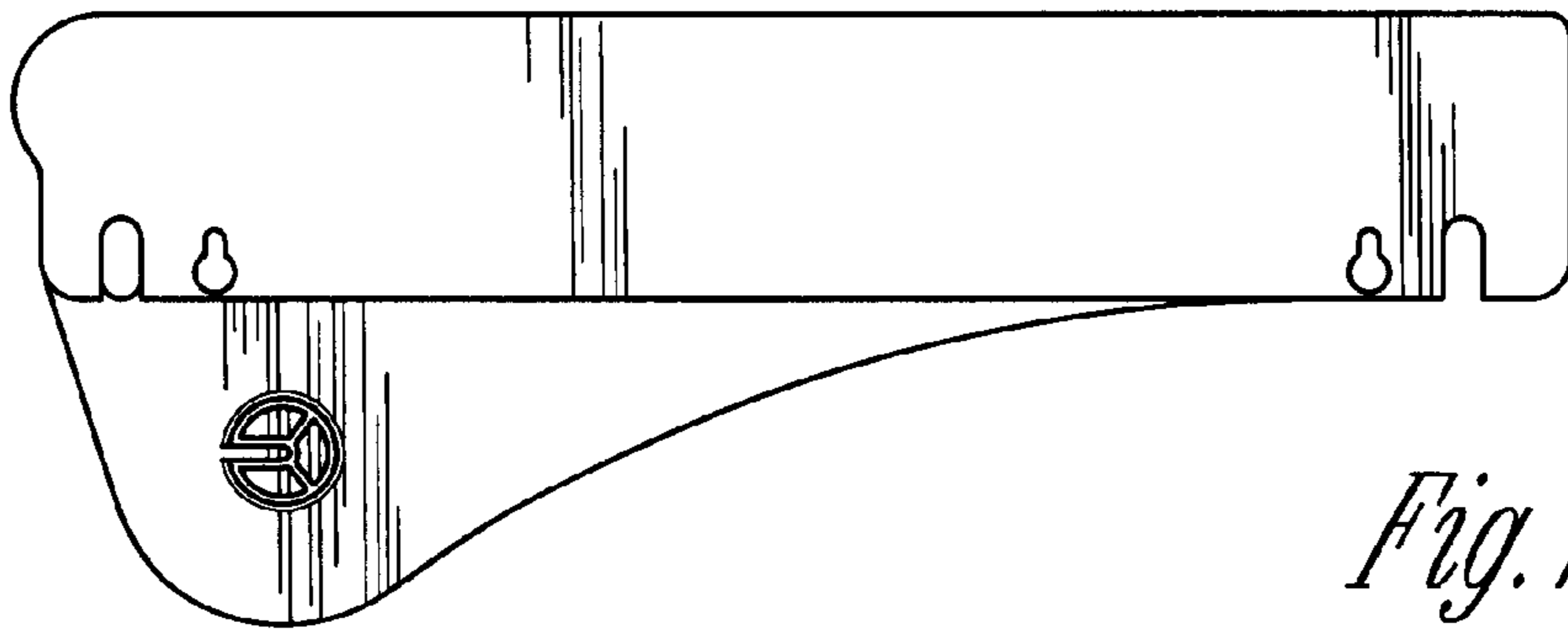


Fig. 7



Fig. 9

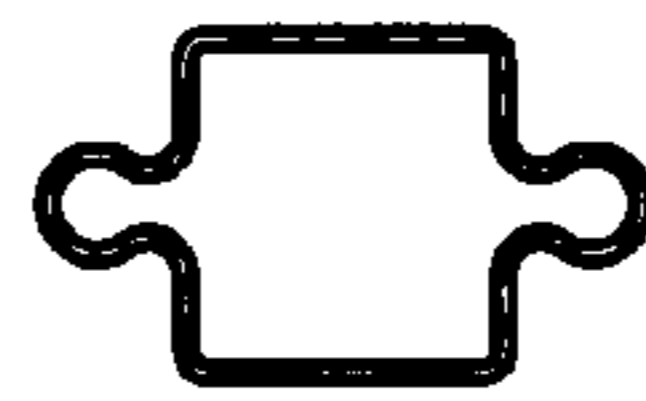


Fig. 8

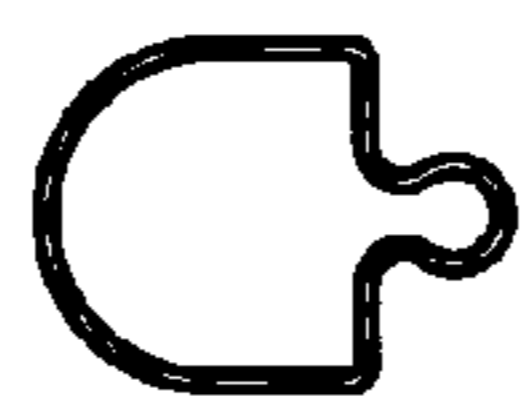


Fig. 10

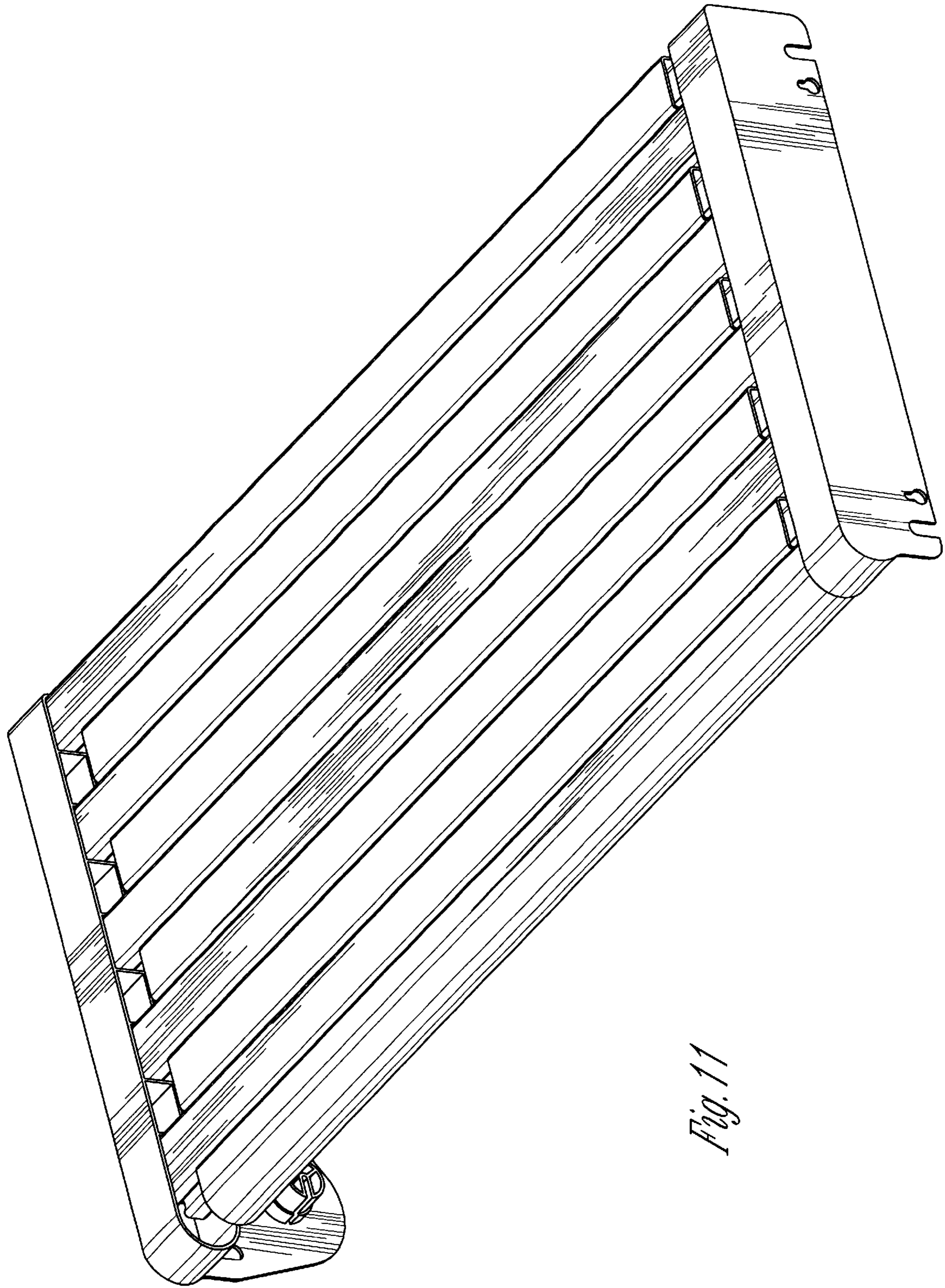


Fig. 11

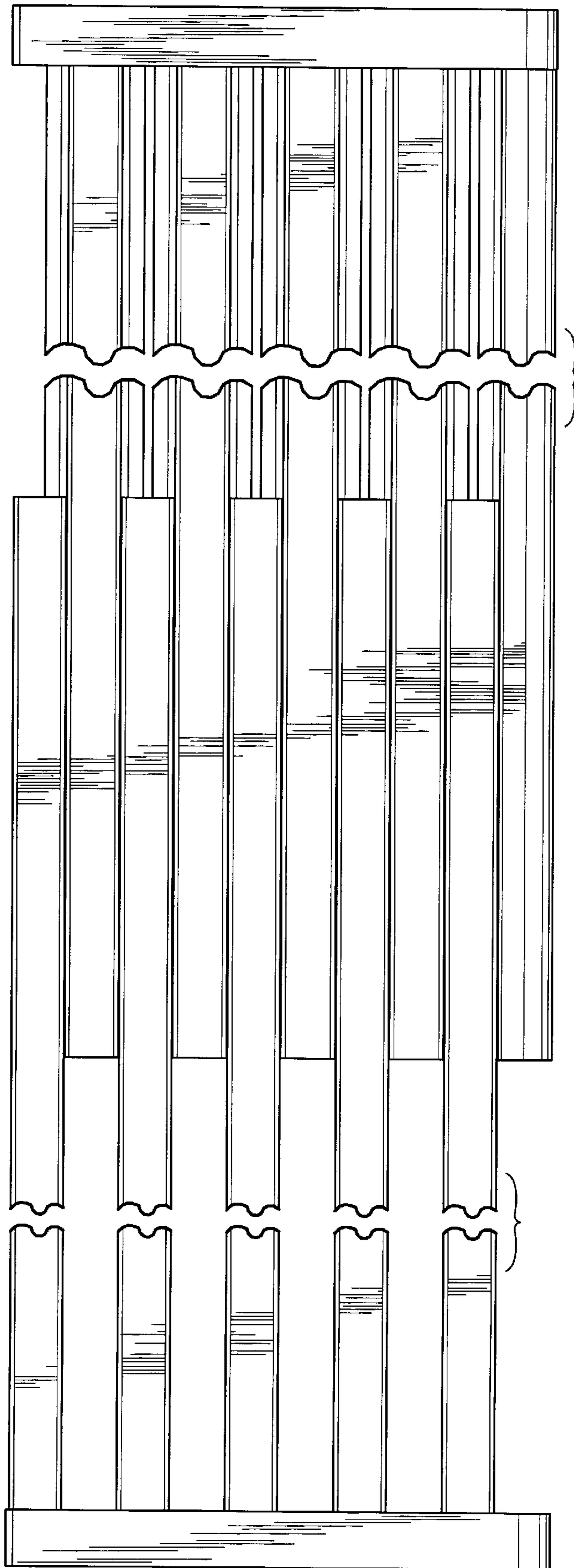


Fig. 12