



US00D444974S

(12) **United States Design Patent**
West

(10) **Patent No.:** **US D444,974 S**

(45) **Date of Patent:** **** Jul. 17, 2001**

(54) **EXPANDABLE SHELF**

(75) Inventor: **Robert A. West**, Shorewood, MN (US)

(73) Assignee: **Westerlund Products Corporation**,
Minnetonka, MN (US)

(**) Term: **14 Years**

(21) Appl. No.: **29/123,980**

(22) Filed: **May 30, 2000**

(51) **LOC (7) Cl.** **06-04**

(52) **U.S. Cl.** **D6/511**

(58) **Field of Search** D6/509–511, 491,
D6/492, 494, 495, 486; D25/19, 119–125;
108/59, 61, 64, 67, 73, 102, 179, 143, 147.11,
147.19; 138/118; 160/214, 99; 211/90.01,
90.02, 134, 153, 149, 187, 175; 248/241,
244, 235

4,155,312 5/1979 Thorkildson .
4,192,562 3/1980 Bishoff et al. .
4,470,647 9/1984 Bishoff et al. .
4,478,337 10/1984 Flum .
4,535,896 8/1985 Evenson .
4,553,523 11/1985 Stohrer, Jr. .
4,696,406 9/1987 Karashima et al. .
4,723,665 2/1988 Benedict et al. .
4,938,365 7/1990 Conway et al. .
5,295,596 * 3/1994 Squitieri 211/175
5,423,597 6/1995 Rogers .
5,553,824 9/1996 Dutra, Jr. .
5,586,666 12/1996 Squitieri .
5,605,238 2/1997 Jacobs .
5,762,208 6/1998 Yeh .
6,021,908 * 2/2000 Mathews 211/175
6,142,321 * 11/2000 West 211/153

* cited by examiner

Primary Examiner—Prabhakar Deshmukh
(74) *Attorney, Agent, or Firm*—Schwegman, Lundberg,
Woessner & Kluth, P.A.

(56) **References Cited**

U.S. PATENT DOCUMENTS

204,237 * 5/1878 Miller et al. 108/202 X
D. 314,682 * 2/1991 Kellems et al. D6/511
330,380 11/1885 Cregmile .
D. 355,551 * 2/1995 McNamara et al. D6/511
D. 407,247 * 3/1999 Brezney D6/511
D. 426,089 * 6/2000 Vlah D2/491
563,467 7/1896 Farwell .
622,666 4/1899 Burwell .
779,262 1/1905 Burke .
934,148 9/1909 Duff .
1,682,060 8/1928 Banks .
2,205,730 6/1940 Morgan .
2,294,595 9/1942 Dice .
2,545,844 3/1951 Cougias .
2,888,305 5/1959 Perry .
3,650,588 3/1972 Helland .
3,836,218 9/1974 Hallal .
4,036,369 7/1977 Eisenberg .
4,106,735 8/1978 Partain et al. .

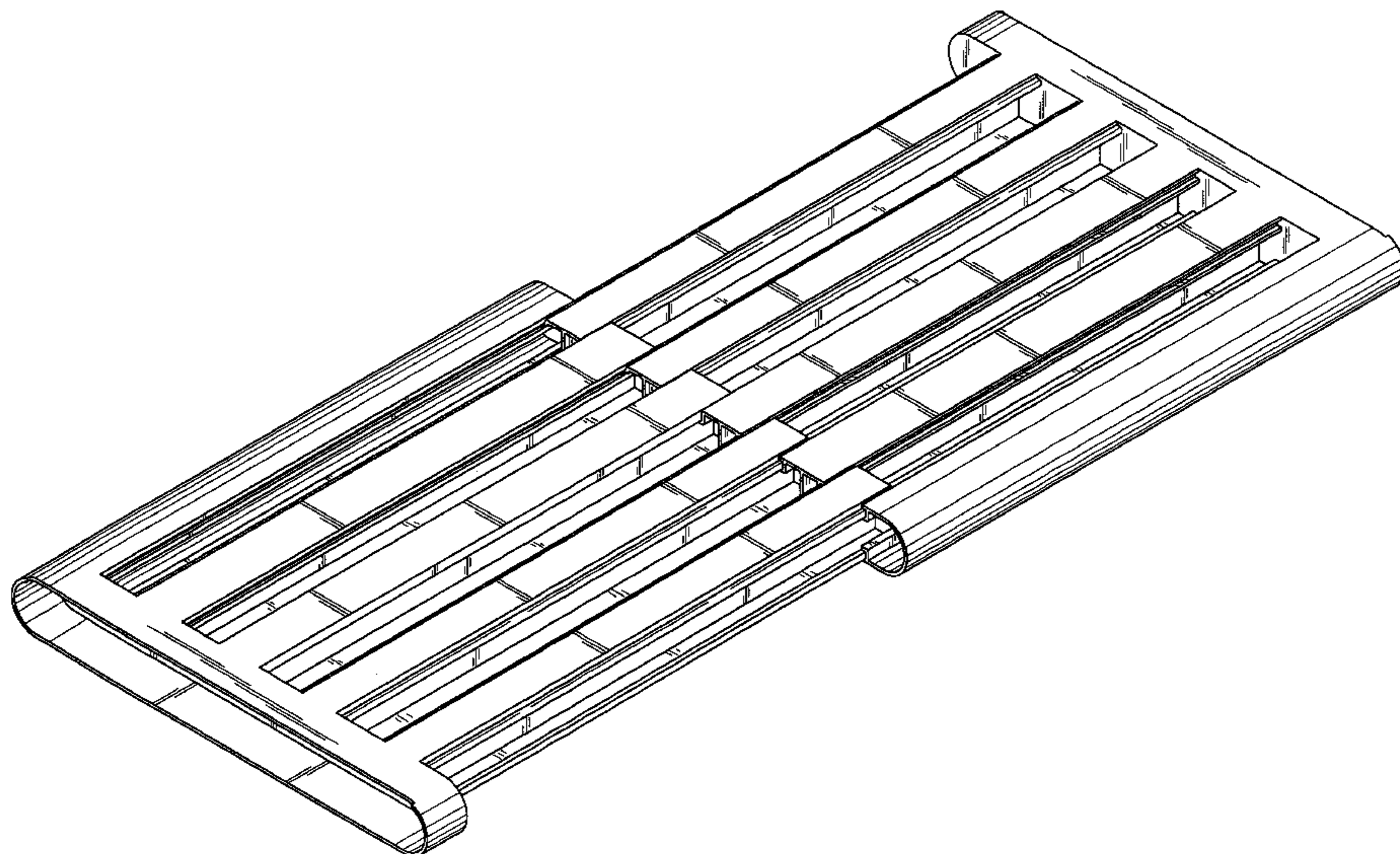
(57) **CLAIM**

The ornamental design for an expandable shelf, as shown and described.

DESCRIPTION

FIG. 1 is a perspective view of an expandable shelf, incorporating the new design.
FIG. 2 is a top plan of the expandable shelf of FIG. 1.
FIG. 3 is a bottom plan view of the expandable shelf of FIG. 1.
FIG. 4 is a right-side elevation of the expandable shelf of FIG. 1.
FIG. 5 is a left-side elevation of the expandable shelf of FIG. 1.
FIG. 6 is a front elevation of the expandable shelf of FIG. 1; and,
FIG. 7 is a rear elevation of the expandable shelf of FIG. 1.

1 Claim, 5 Drawing Sheets



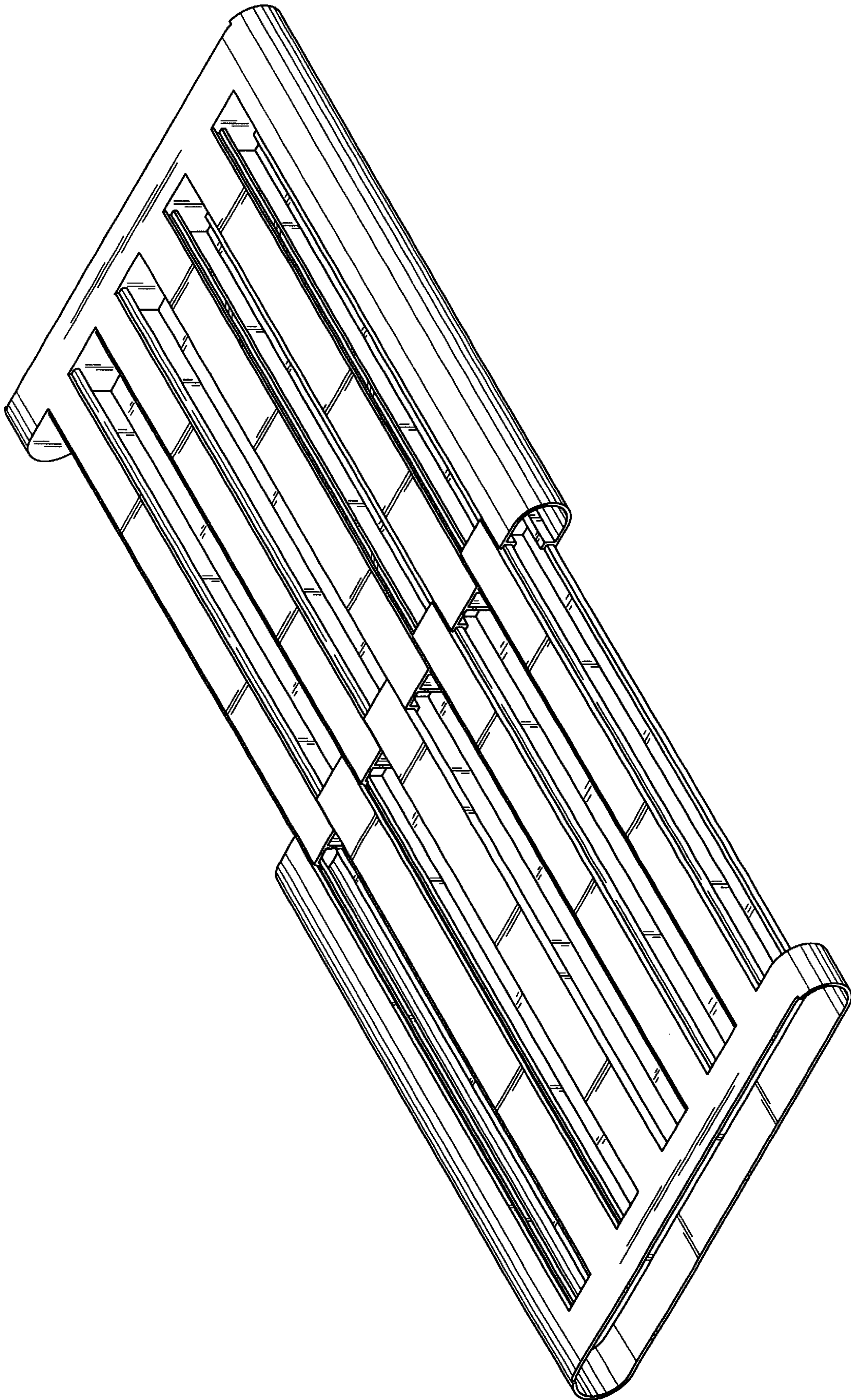


FIG. 1

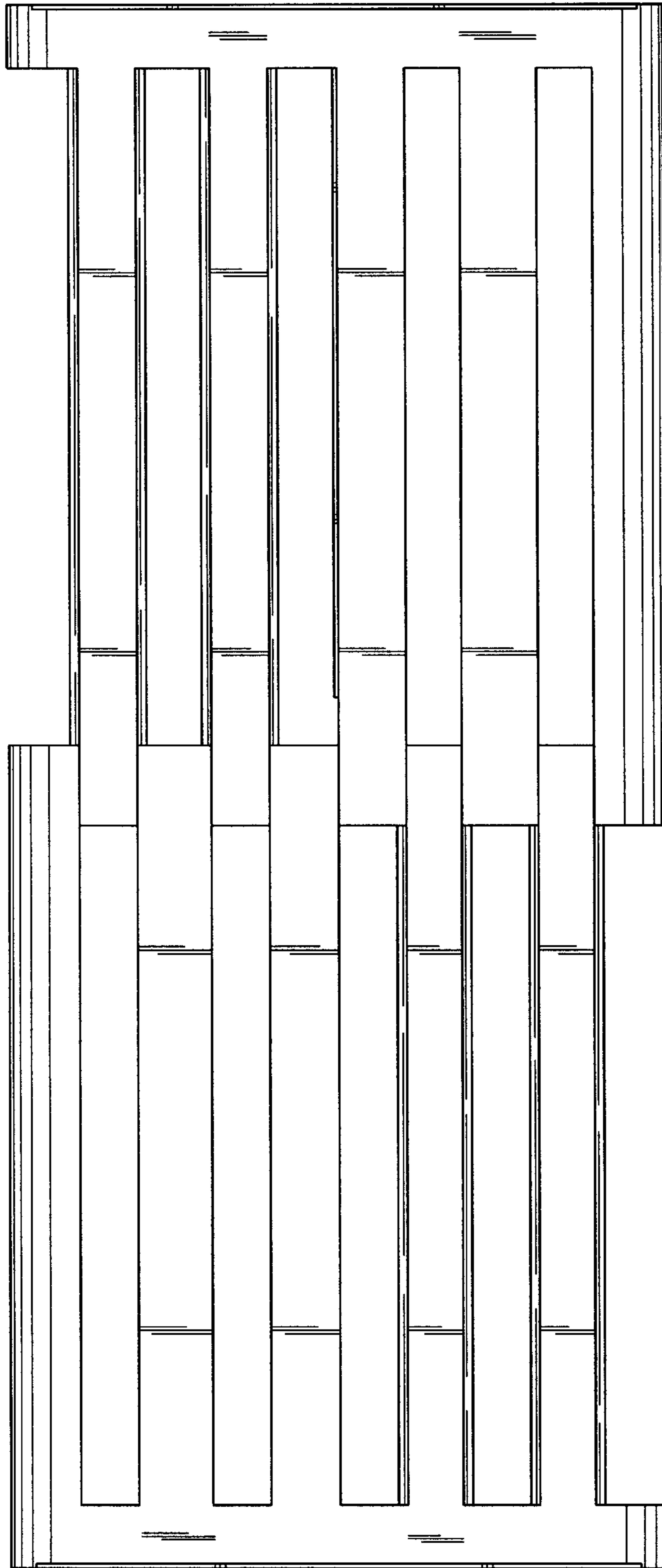


FIG. 2

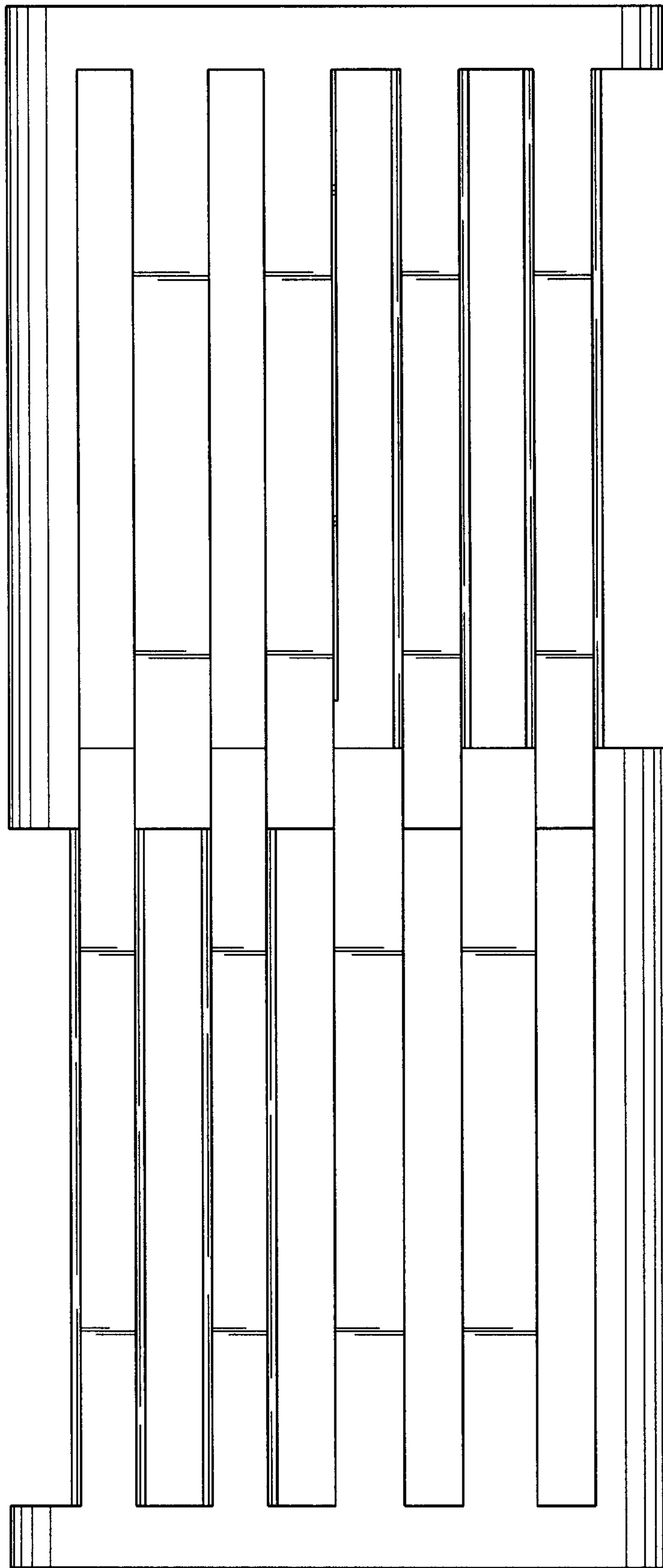


FIG. 3

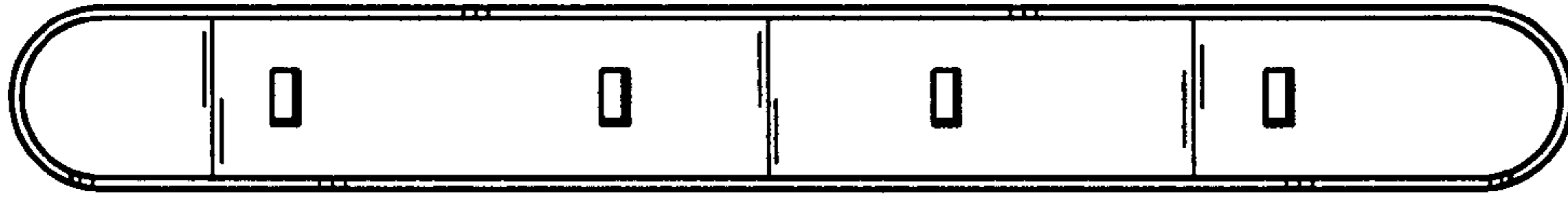


FIG. 5

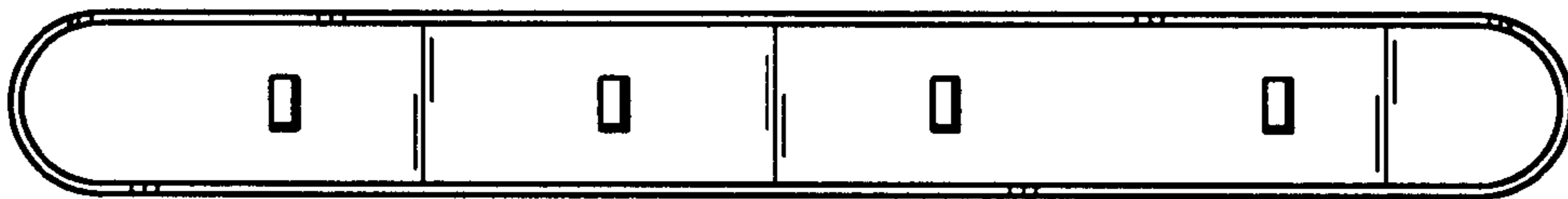


FIG. 4

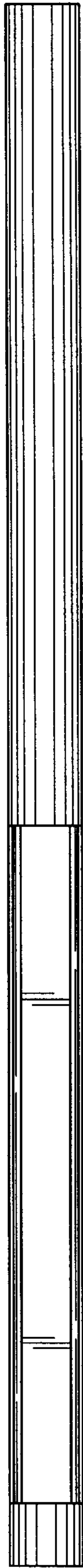


FIG. 6



FIG. 7