



US00D444969S

(12) **United States Design Patent**
Erickson et al.

(10) **Patent No.:** **US D444,969 S**

(45) **Date of Patent:** **** Jul. 17, 2001**

(54) **TABLE LEG**

(75) Inventors: **Jason D. Erickson**, Durant; **Craig H. Schultz**; **Douglas A. Schroeder**, both of Muscatine; **Michael J. Bell**, Davenport, all of IA (US)

(73) Assignee: **HON Technology Inc.**, Muscatine, IA (US)

(**) Term: **14 Years**

(21) Appl. No.: **29/124,580**

(22) Filed: **Jun. 7, 2000**

(51) **LOC (7) Cl.** **06-06**

(52) **U.S. Cl.** **D6/495**

(58) **Field of Search** D6/480-489, 495-499; 108/153.1, 156, 157.1, 161; 248/188, 188.1, 188.8

(56) **References Cited**

U.S. PATENT DOCUMENTS

D. 401,087 * 11/1998 Hellwig et al. D6/482

D. 401,788 * 12/1998 Hellwig et al. D6/480
5,918,553 * 7/1999 Hellwig et al. 108/147.19

* cited by examiner

Primary Examiner—Janice E. Seeger

(74) *Attorney, Agent, or Firm*—Jones, Day, Reavis & Pogue

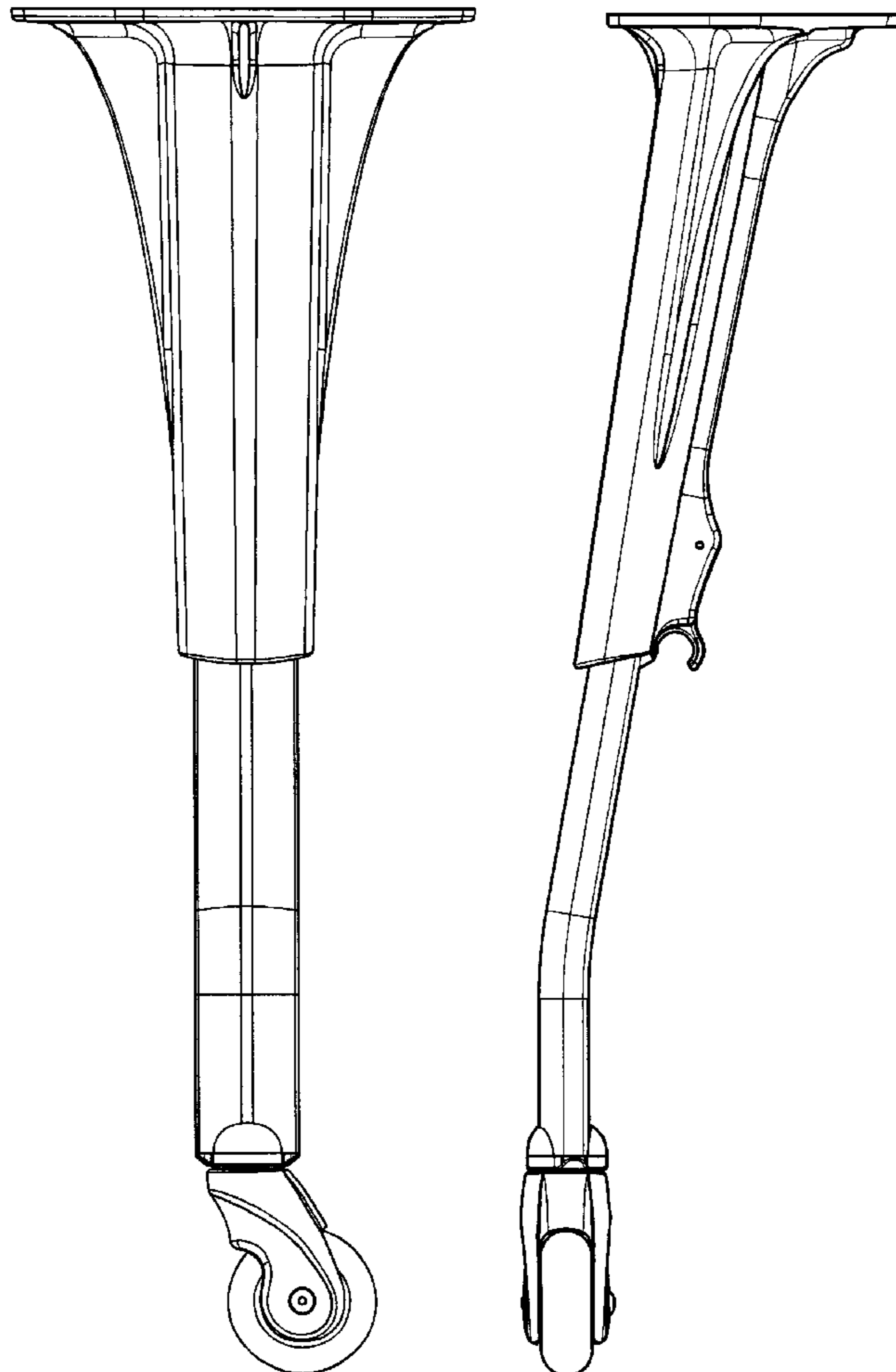
(57) **CLAIM**

The ornamental design for table leg, as shown and described.

DESCRIPTION

FIG. 1 is a front view of a table leg showing our new design; FIG. 2 is a right side view, the opposite side view being a mirror image thereof; FIG. 3 is a right front perspective view thereof; FIG. 4 is a right rear perspective view thereof; FIG. 5 is a rear view thereof; FIG. 6 is a top view thereof; and, FIG. 7 is a bottom view thereof.

1 Claim, 4 Drawing Sheets



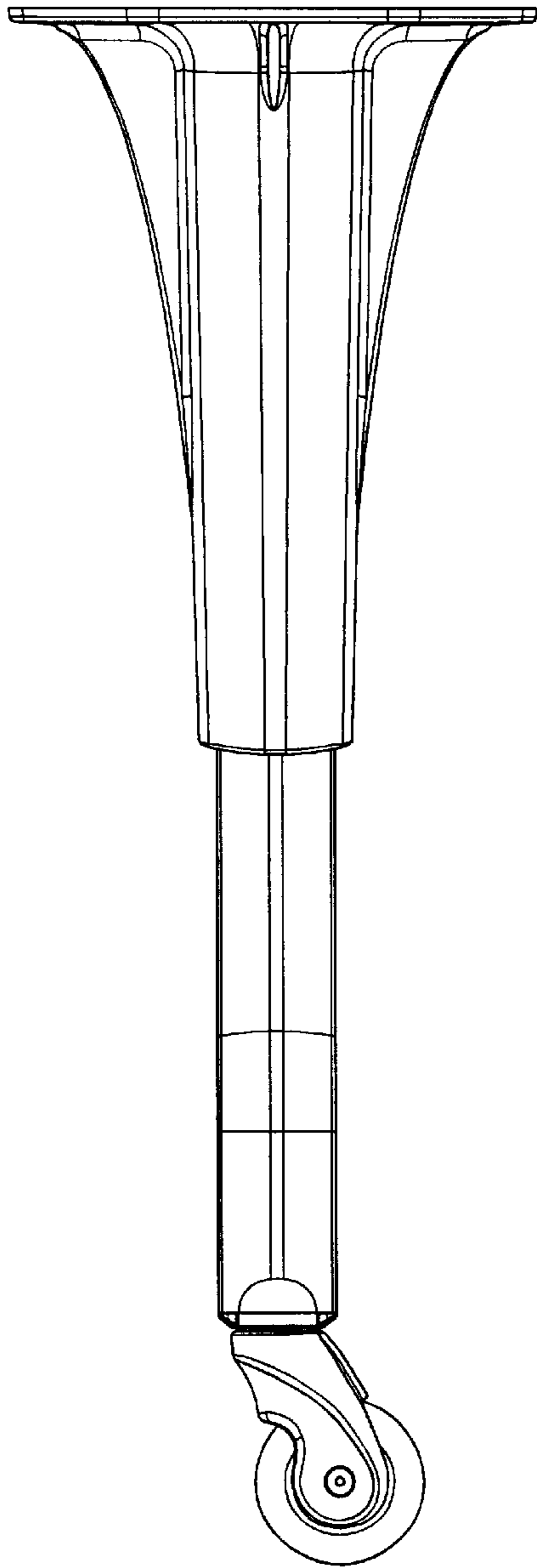


FIG. 1

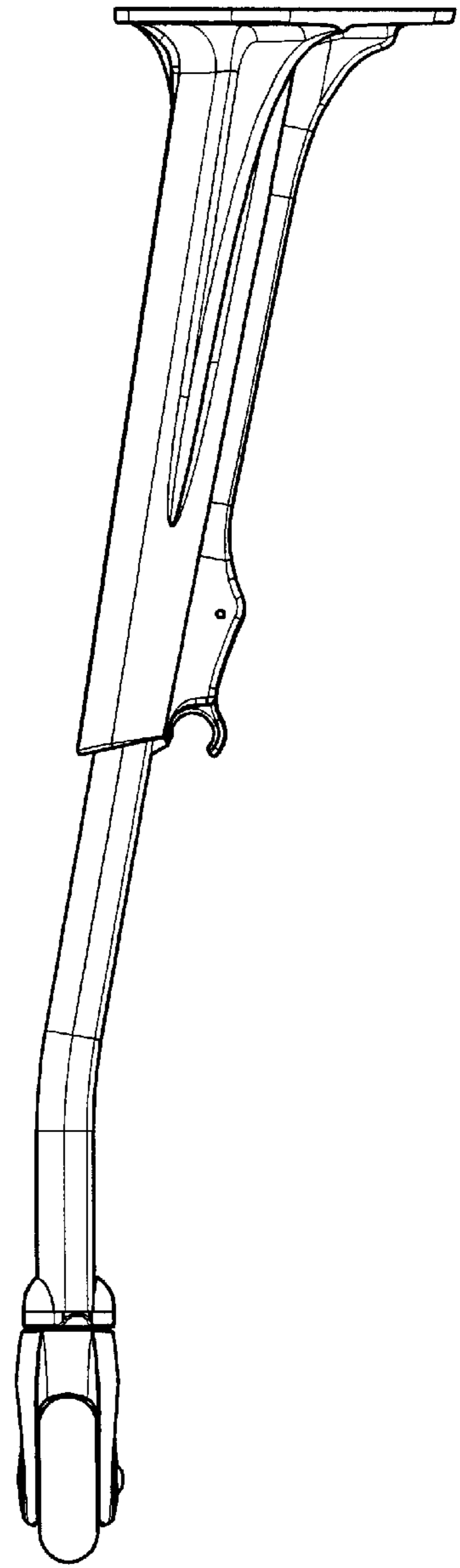


FIG. 2

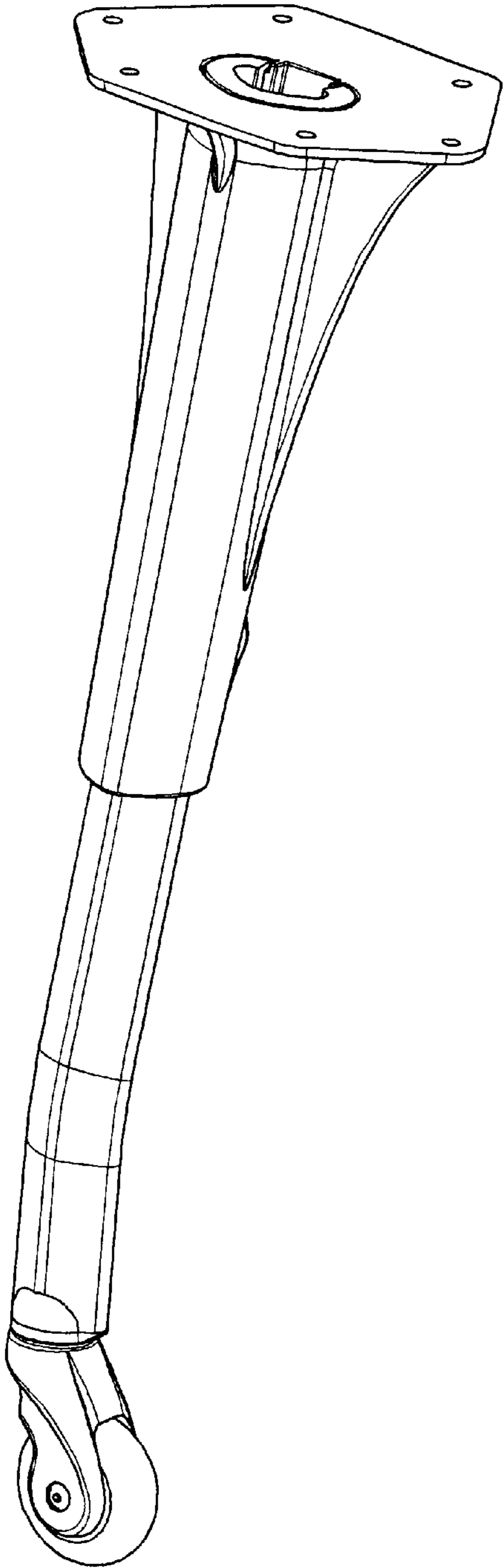


FIG. 3

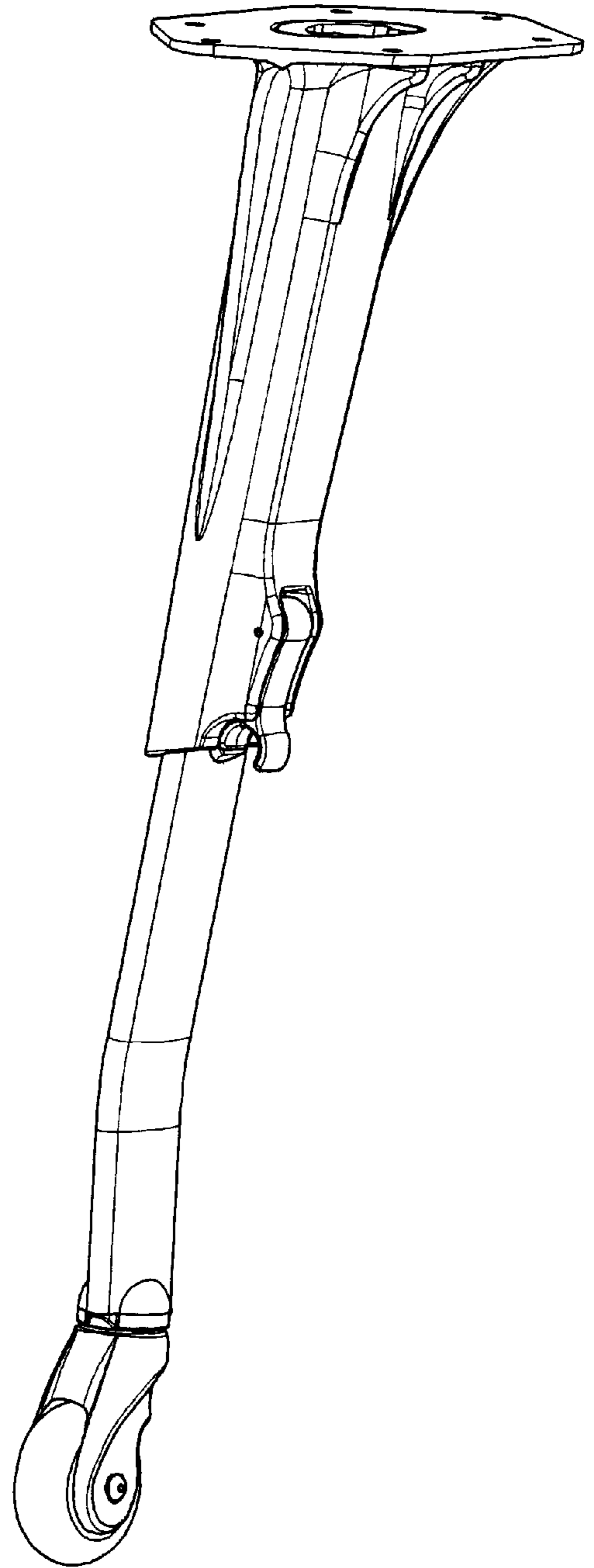


FIG. 4

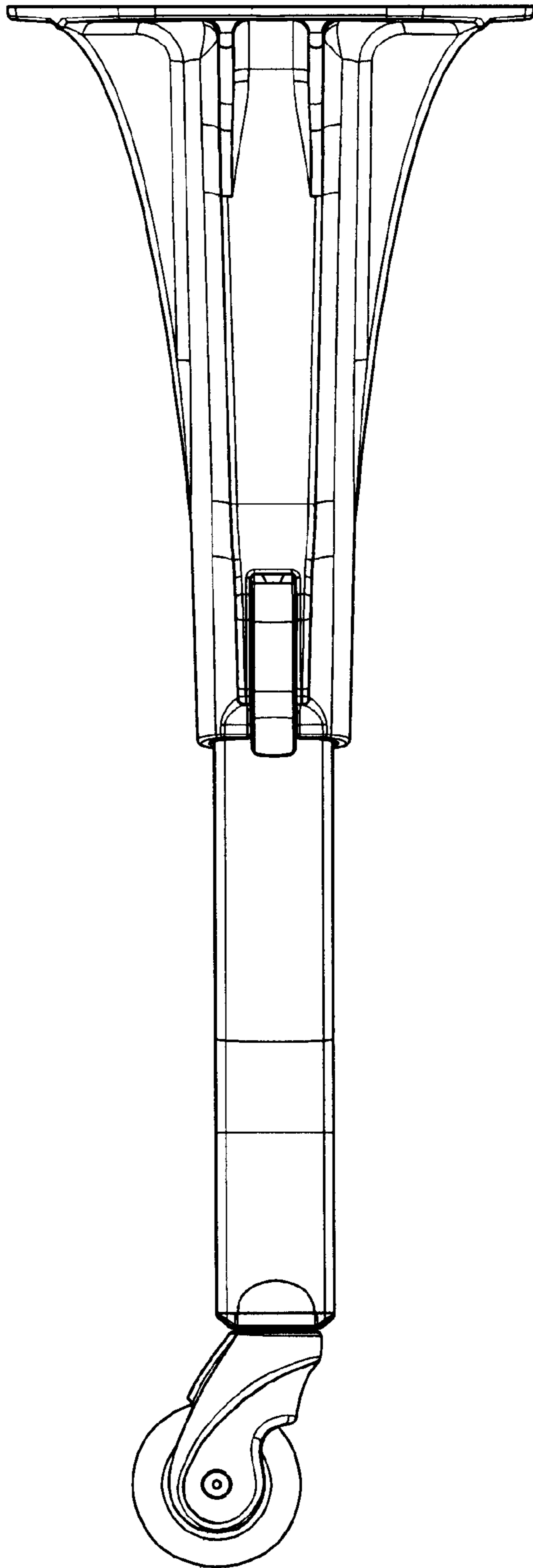


FIG. 5

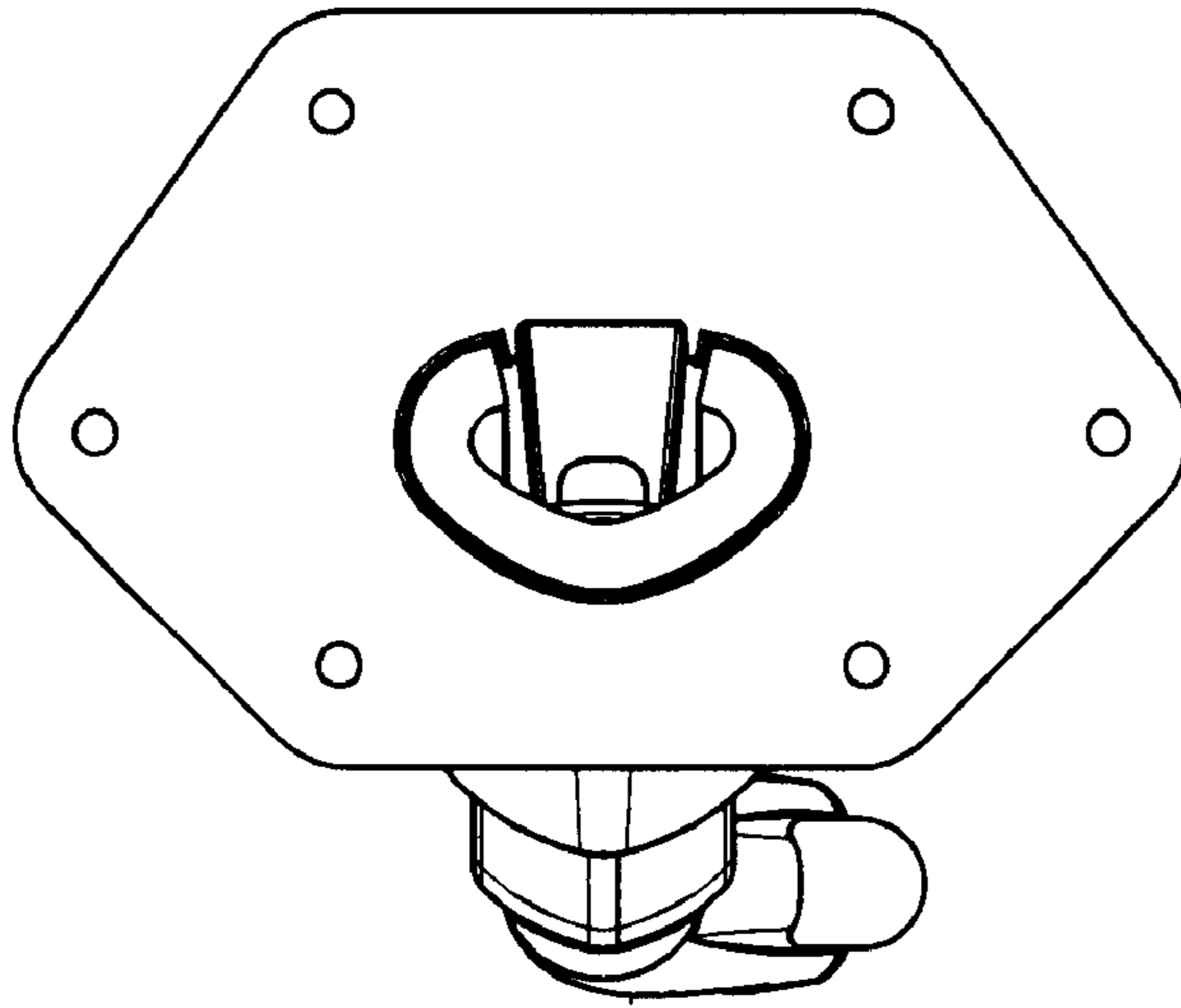


FIG. 6

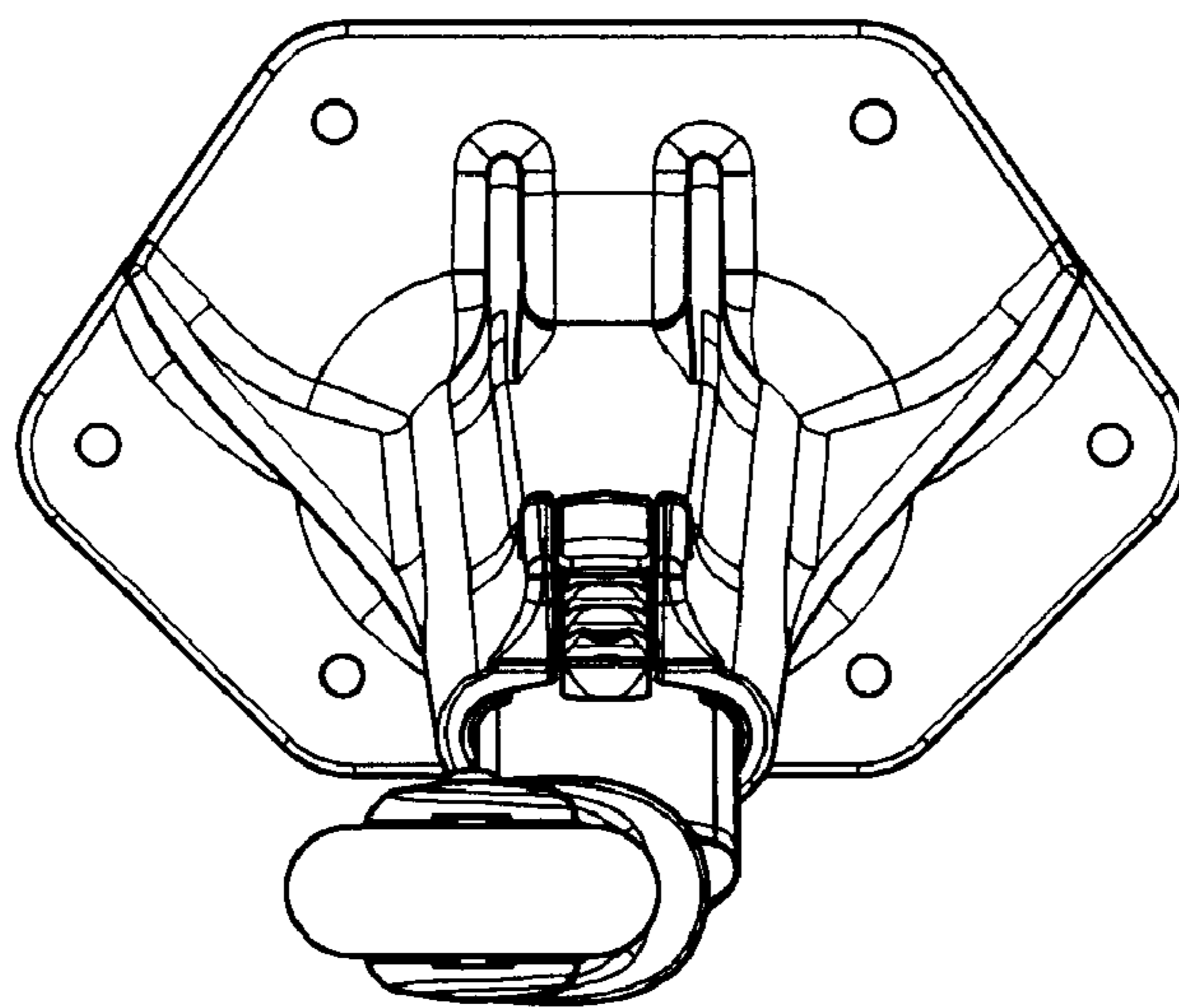


FIG. 7