



US00D444965S

(12) **United States Design Patent**  
**Miller**

(10) **Patent No.:** **US D444,965 S**

(45) **Date of Patent:** **\*\* Jul. 17, 2001**

(54) **DISPLAY CONTAINER FOR FASTENER PACKAGES**

(75) **Inventor:** **Christopher T. Miller**, Long Beach, CA (US)

(73) **Assignee:** **Master Fasteners Inc.**, Vernon, CA (US)

(\*\*) **Term:** **14 Years**

(21) **Appl. No.:** **29/124,330**

(22) **Filed:** **Jun. 2, 2000**

3,467,245	9/1969	Kawawada .
3,942,631	3/1976	Sutherland et al. .
4,111,297	9/1978	Paulin .
4,151,912	5/1979	Harold .
4,433,781	2/1984	Hummel .
4,687,094	8/1987	Allsop et al. .
4,750,612	6/1988	Schuster .
4,753,341 *	6/1988	McIntyre ..... 211/72 X
5,165,534	11/1992	Kaufman et al. .
5,167,324	12/1992	Miller .
5,441,198	8/1995	McQueeny .
5,513,750	5/1996	Rychel .
5,555,982	9/1996	Kuhn et al. .
5,642,813	7/1997	Nyseth .
5,730,296	3/1998	Limmer .

**Related U.S. Application Data**

(62) Division of application No. 29/112,499, filed on Oct. 19, 1999, now Pat. No. Des. 429,093.

(51) **LOC (7) Cl.** ..... **06-04**

(52) **U.S. Cl.** ..... **D6/467; D6/397; D6/468**

(58) **Field of Search** ..... D6/396, 397, 449, D6/466, 467, 468, 408, 474, 475; D15/83; 40/312, 653; 206/736, 790, 795; 211/55, 72, 85.4, 195, 85.1, 13.1; 229/108; 298/174

**References Cited**

**U.S. PATENT DOCUMENTS**

D. 256,199 *	8/1980	Burke et al. ....	D6/474
D. 296,630 *	7/1988	Renold et al. ....	D6/468
D. 329,154 *	9/1992	Waterson ....	D6/468 X
D. 381,342 *	7/1997	Miller ....	D15/83
D. 402,483 *	12/1998	Alvarez et al. ....	D6/408
452,994	5/1891	Dodd .	
2,914,184 *	11/1959	Doetluck ....	211/55
3,181,693	5/1965	Freistat .	
3,335,894	8/1967	Laird .	

\* cited by examiner

*Primary Examiner*—Cathron Brooks

(74) *Attorney, Agent, or Firm*—Thomas I. Rozsa; Tony D. Chen; Jerry Fong

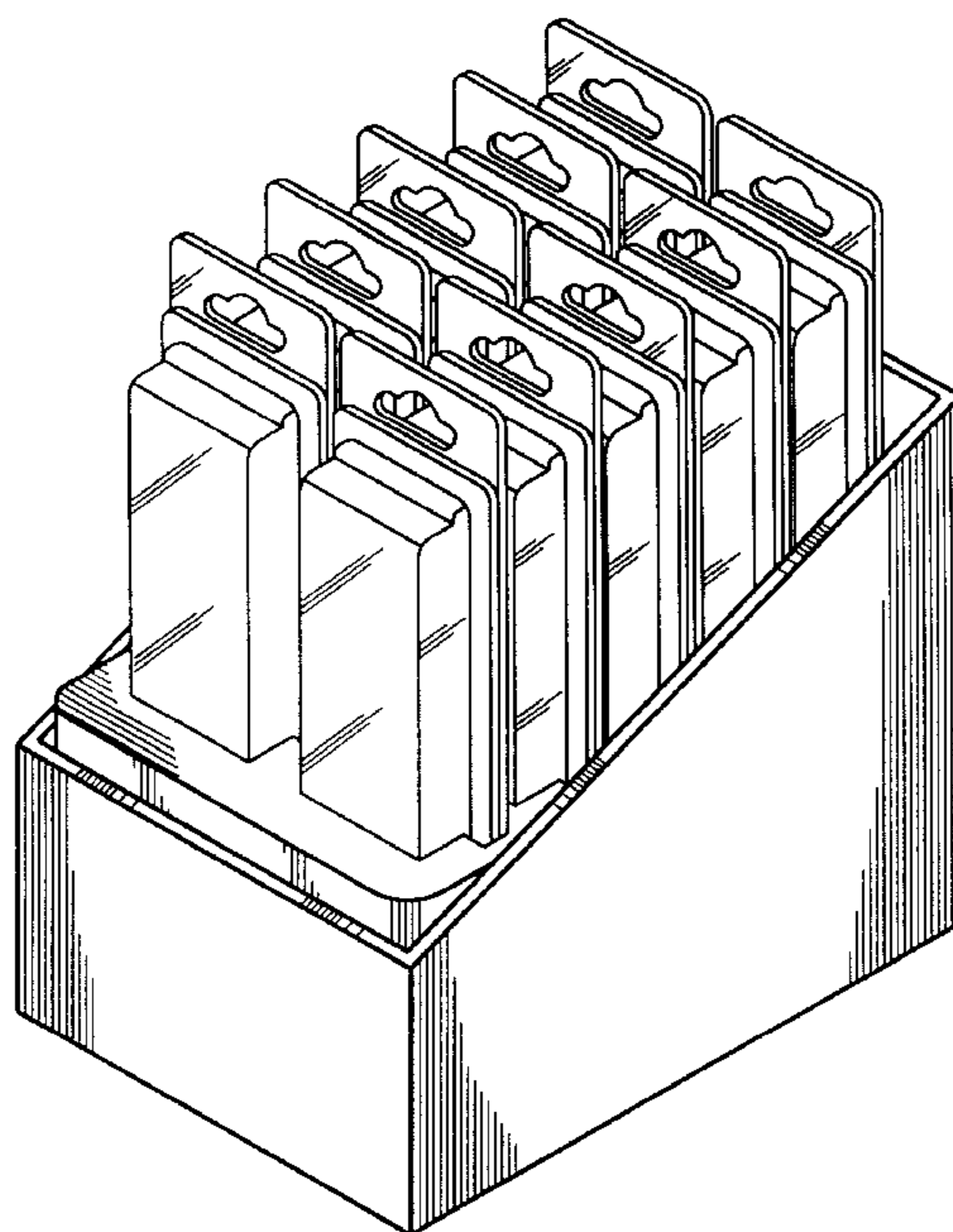
(57) **CLAIM**

The ornamental design for a display container for fastener packages, as shown and described.

**DESCRIPTION**

FIG. 1 is a perspective view of display container for fastener packages with the fastener packages inserted; FIG. 2 is front elevational view thereof; FIG. 3 is a rear elevational view thereof; FIG. 4 is a side elevational view when viewed from the left side of FIG. 2, the right side view being a mirror image thereof; FIG. 5 is a top plan view thereof; and, FIG. 6 is a bottom plan view thereof.

**1 Claim, 2 Drawing Sheets**



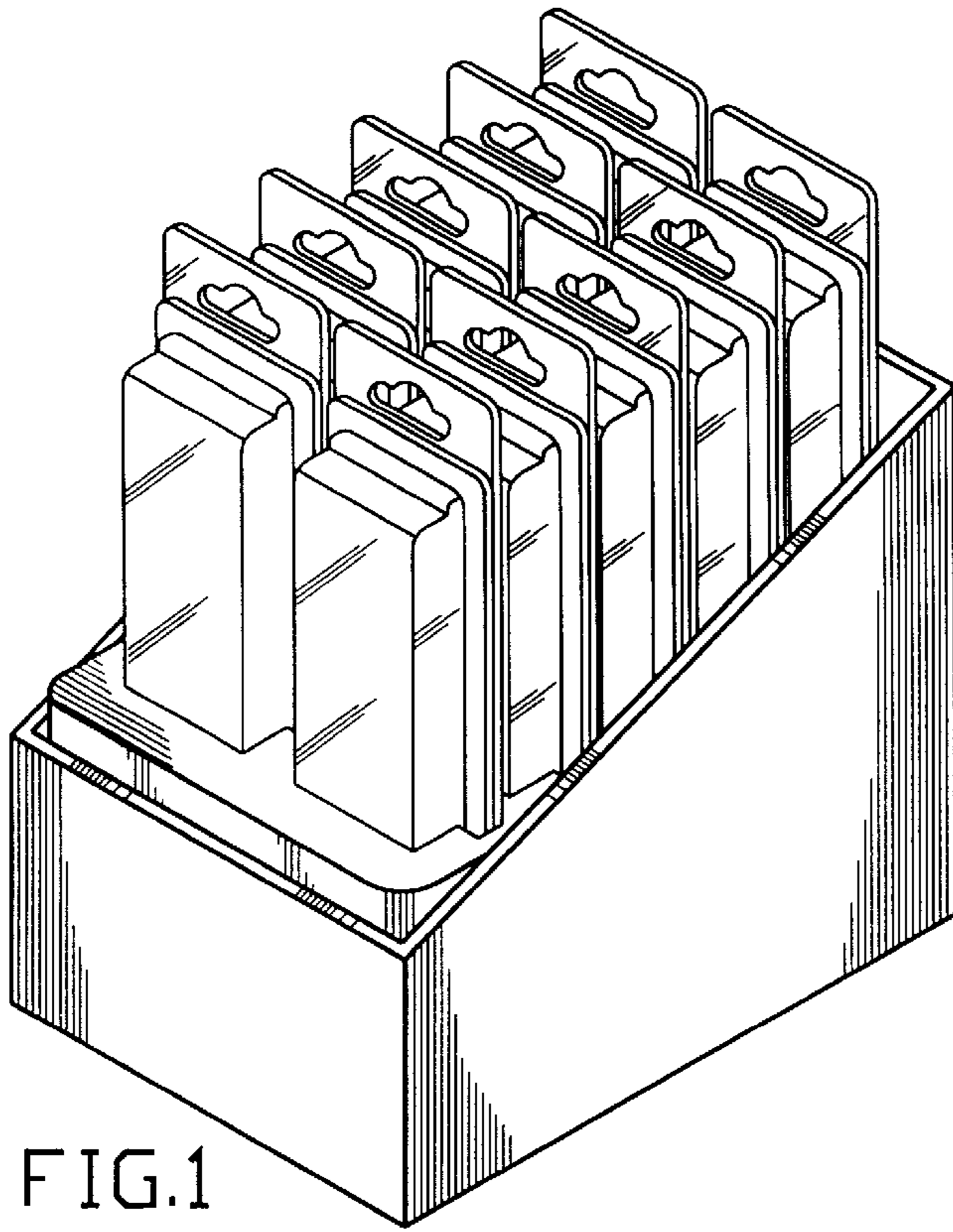


FIG. 1

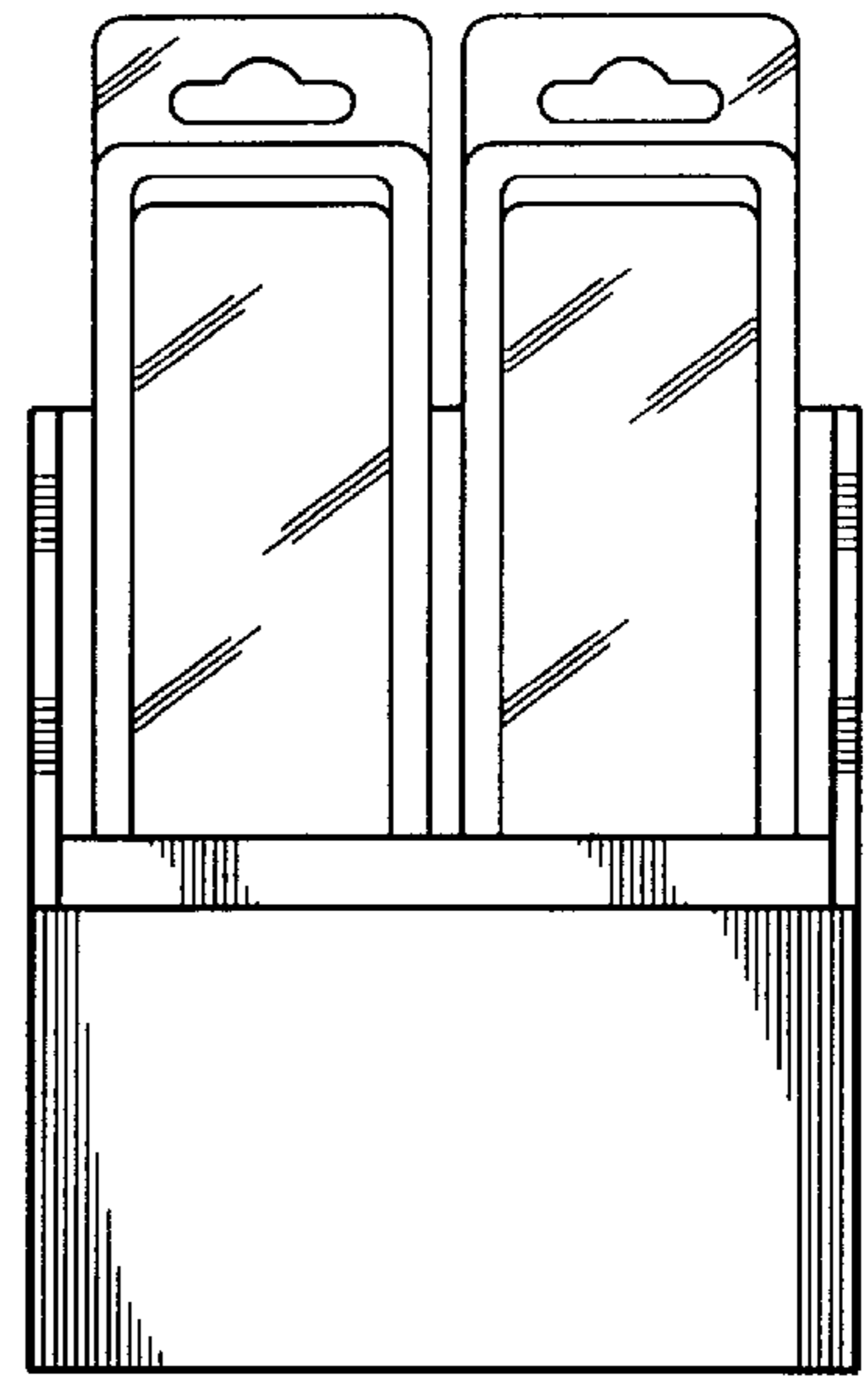


FIG. 2

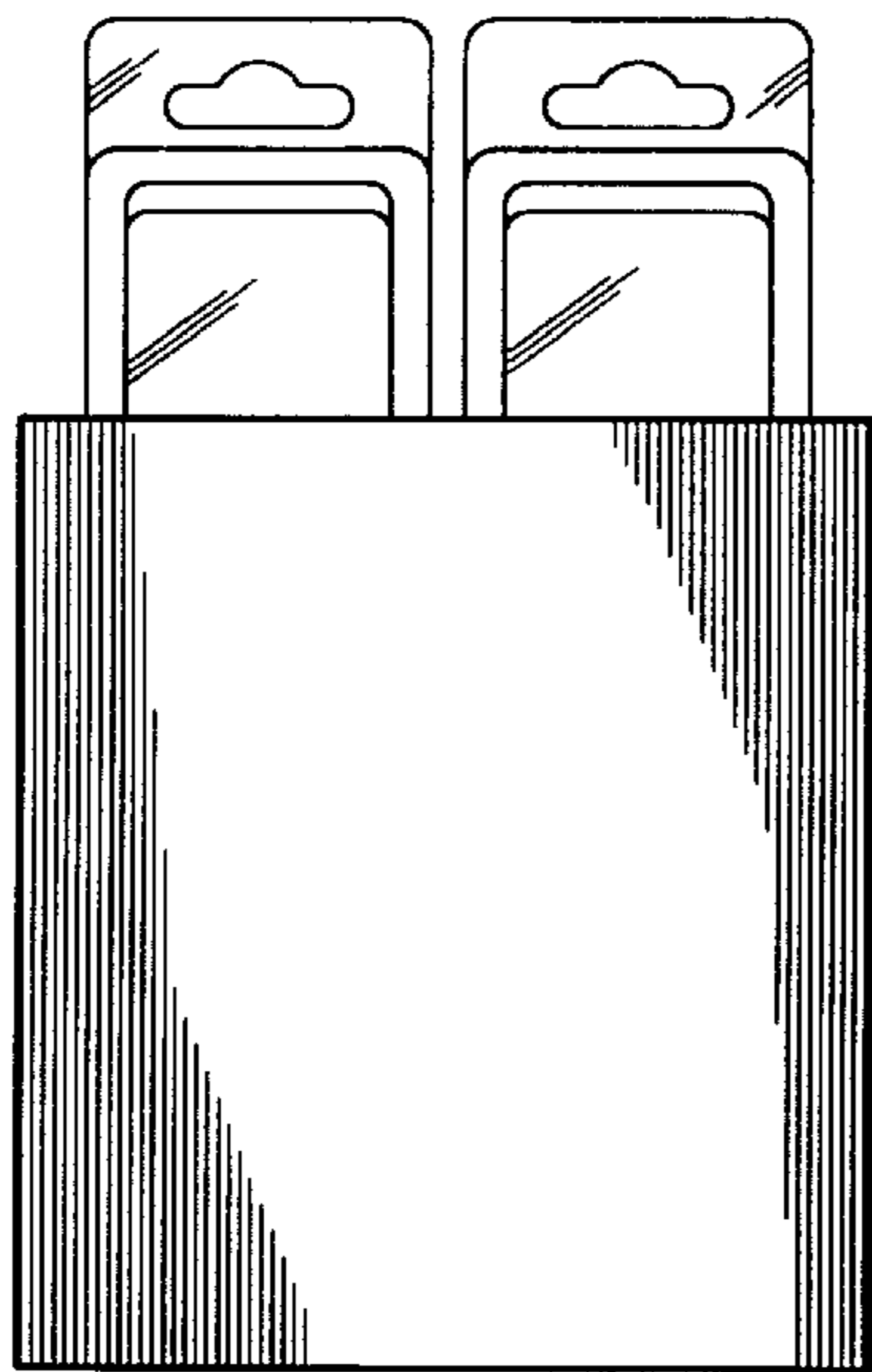


FIG. 3

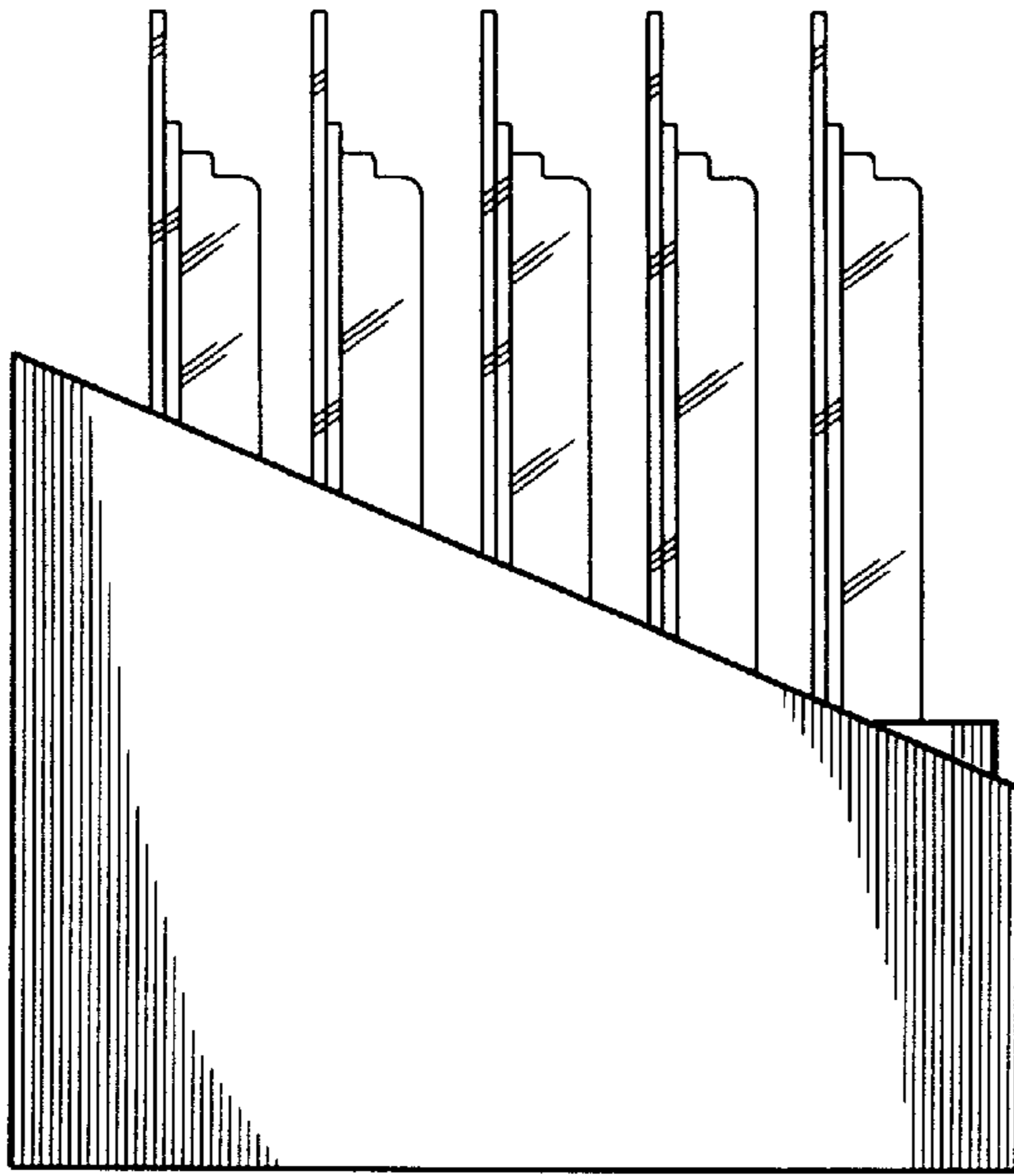


FIG. 4

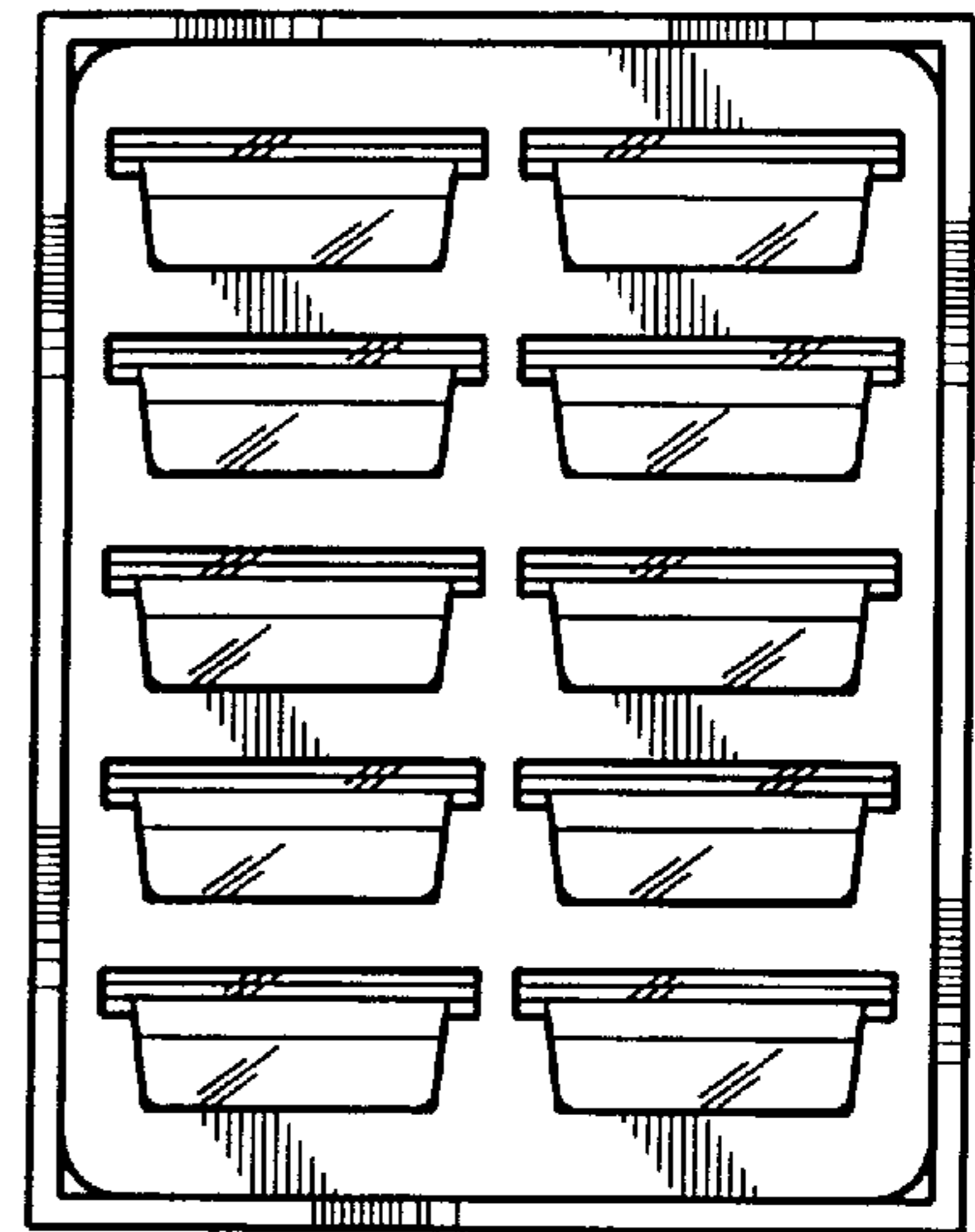


FIG. 5

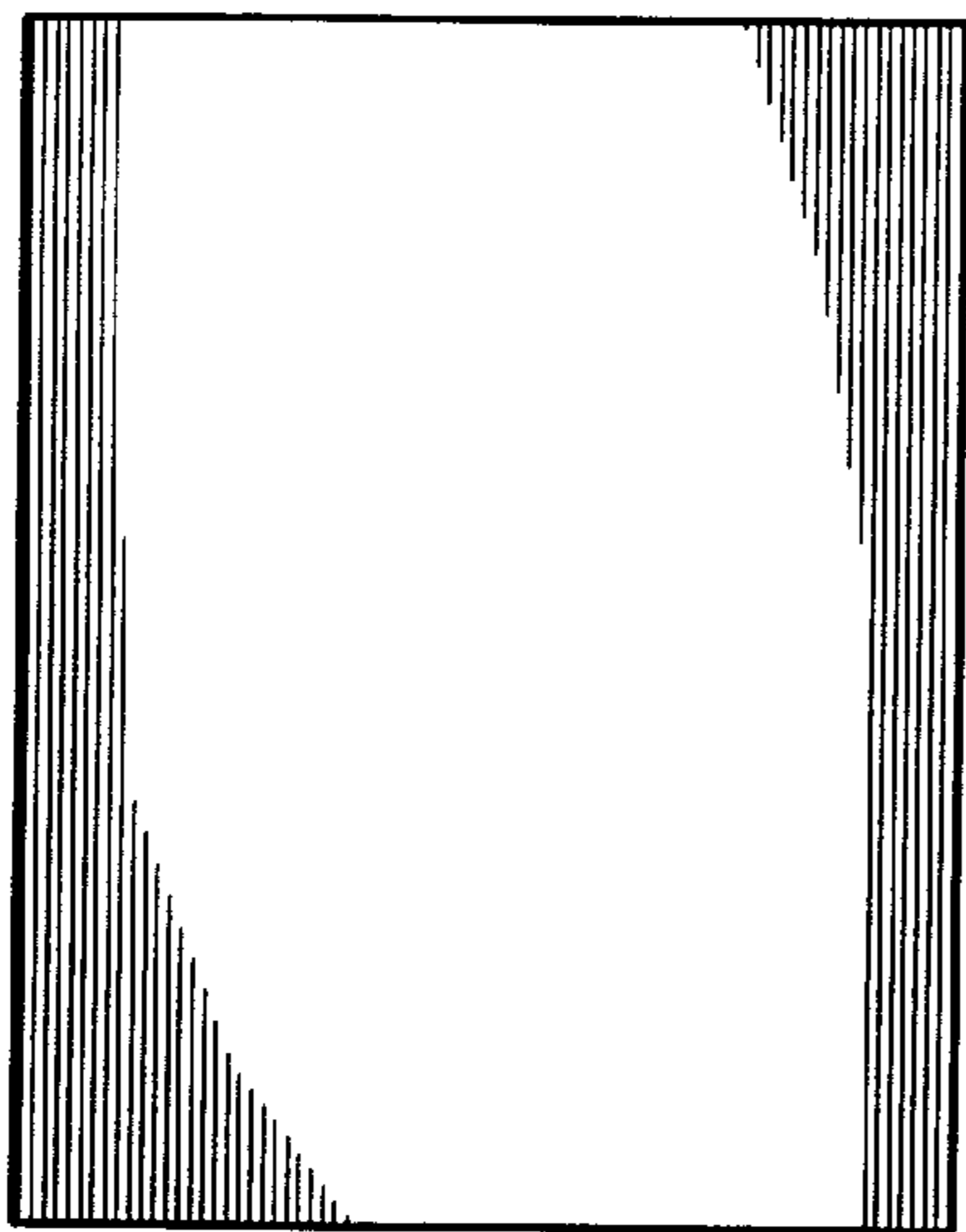


FIG. 6