



US00D444962S

(12) **United States Design Patent**  
**Draheim et al.**

(10) **Patent No.:** **US D444,962 S**

(45) **Date of Patent:** **\*\* Jul. 17, 2001**

(54) **CHEST OF DRAWERS**

(75) Inventors: **Harvey J. Draheim**, Weyauwega; **Scott A. Krueger**, Appleton, both of WI (US)

(73) Assignee: **Simmons Juvenile Products Company, Inc.**, New London, WI (US)

(\*\*) Term: **14 Years**

(21) Appl. No.: **29/129,436**

(22) Filed: **Sep. 13, 2000**

(51) **LOC (7) Cl.** ..... **06-04**

(52) **U.S. Cl.** ..... **D6/442; D6/445**

(58) **Field of Search** ..... D6/432-448; 312/107,  
312/198, 204, 257.1, 278, 279

(56) **References Cited**

**U.S. PATENT DOCUMENTS**

- D. 382,135 \* 8/1997 Brunner et al. .... D6/439
- D. 432,814 \* 10/2000 Draheim et al. .... D6/439
- D. 432,815 \* 10/2000 Draheim et al. .... D6/439

**OTHER PUBLICATIONS**

Simmons Juvenile Products Catalog, 1998 (4430 and 4630 Series).

\* cited by examiner

*Primary Examiner*—Cathron C. Brooks

(74) *Attorney, Agent, or Firm*—Hoffmann & Baron, LLP

(57) **CLAIM**

The ornamental design for a chest of drawers, as shown and described.

**DESCRIPTION**

FIG. 1 is a top perspective view of a chest of drawers showing our new design;

FIG. 2 is a top plan view thereof;

FIG. 3 is a front elevation view thereof;

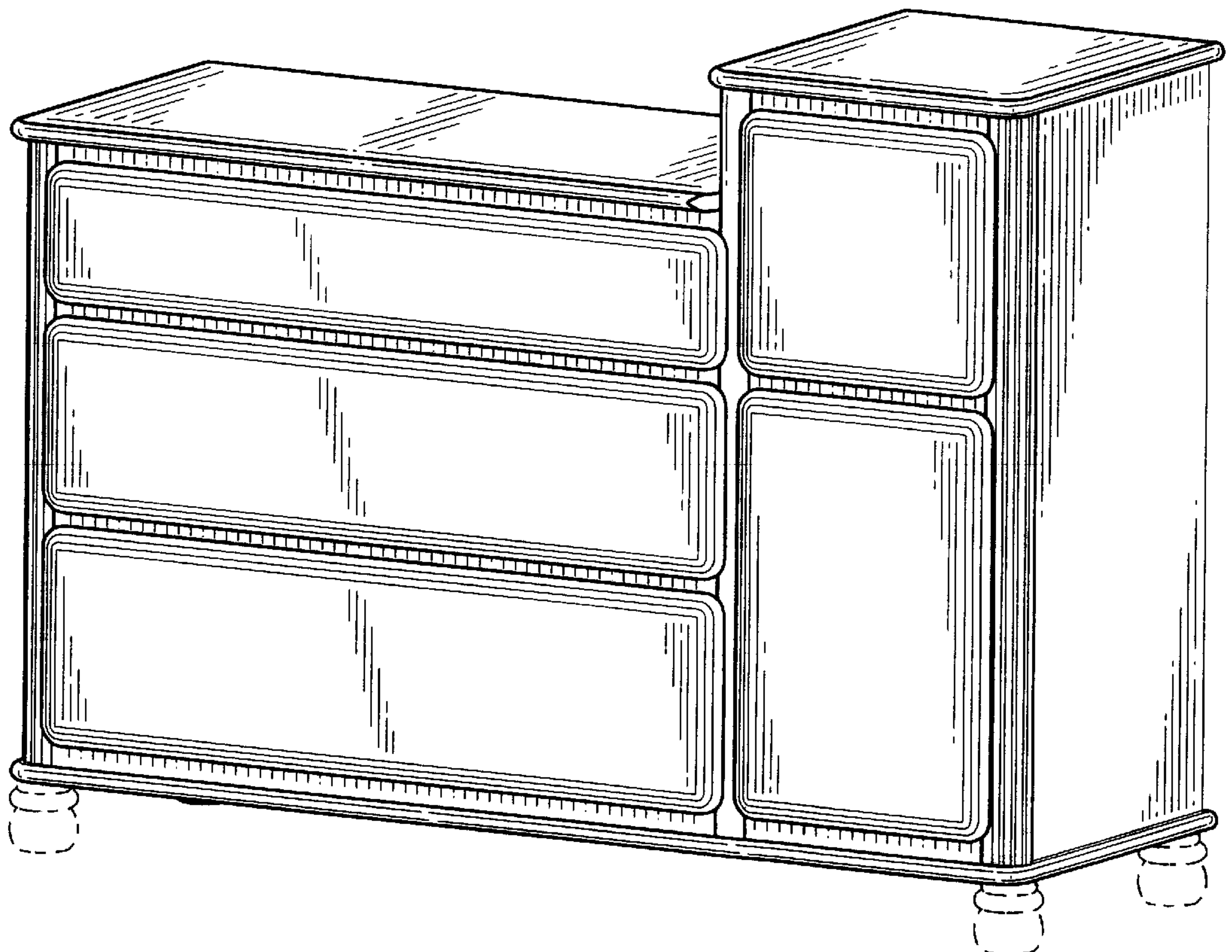
FIG. 4 is a side elevation view thereof;

FIG. 5 is a side elevation view thereof showing the side opposite from the side shown in FIG. 4; and,

FIG. 6 is an enlarged sectional view taken along Line 6—6 of FIG. 3.

The rear and bottom views (not shown) form no part of the claimed design. The portions shown in broken lines form no part of the claimed design.

**1 Claim, 5 Drawing Sheets**



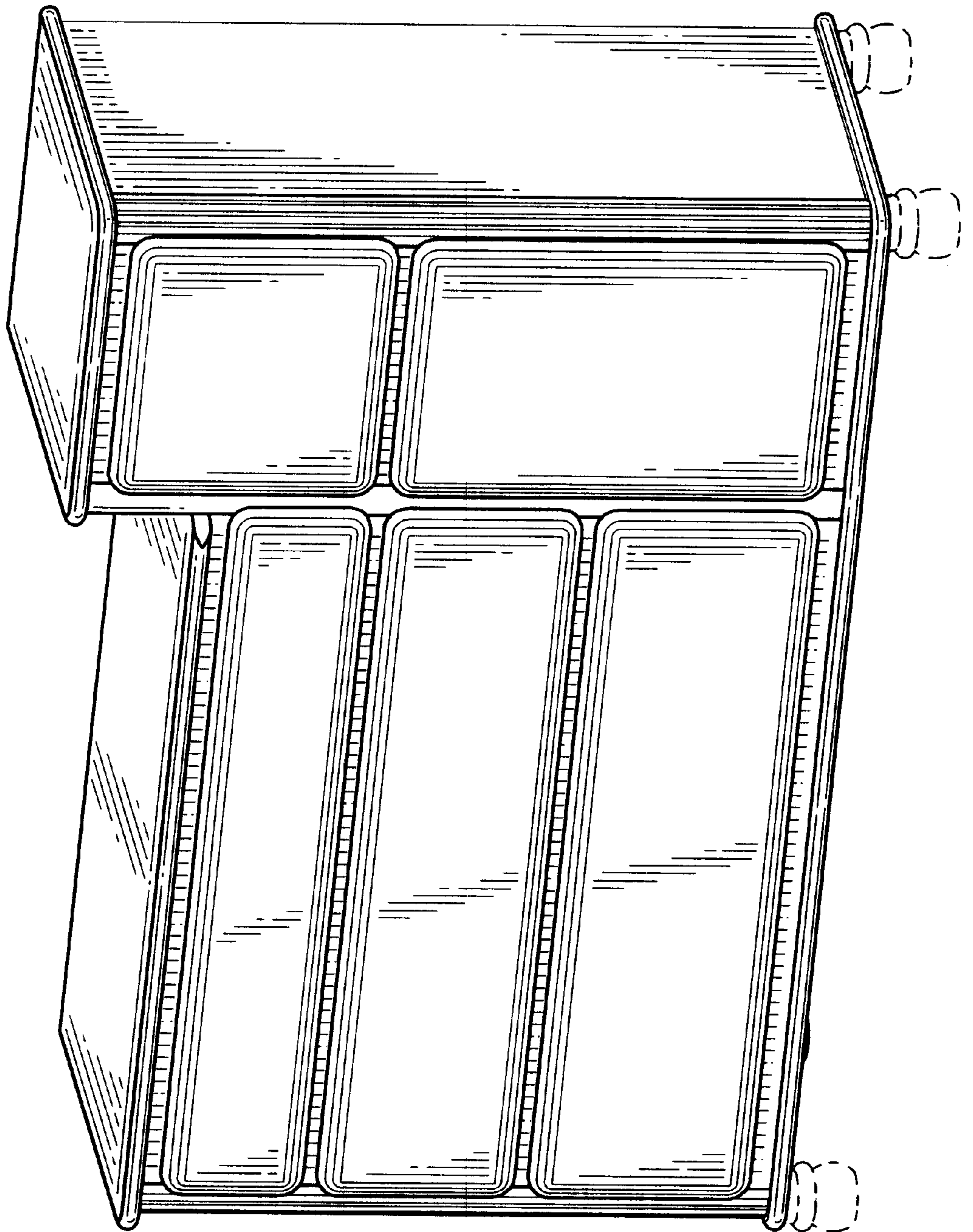
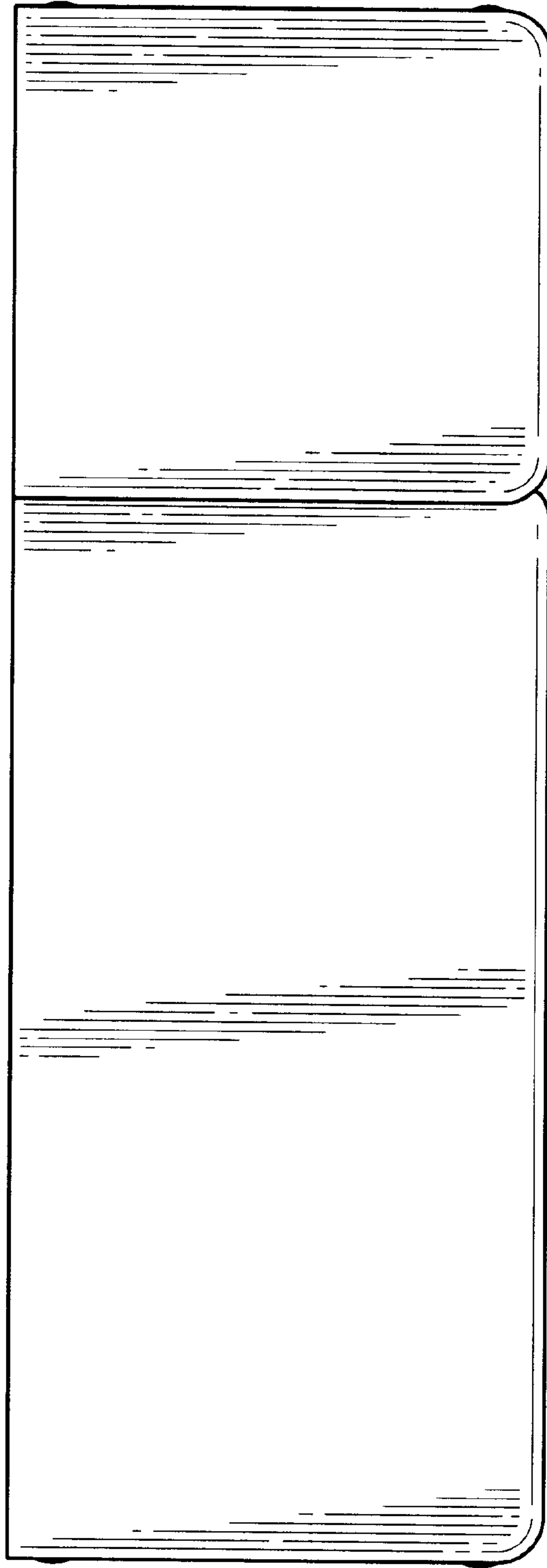


FIG. 1

FIG. 2



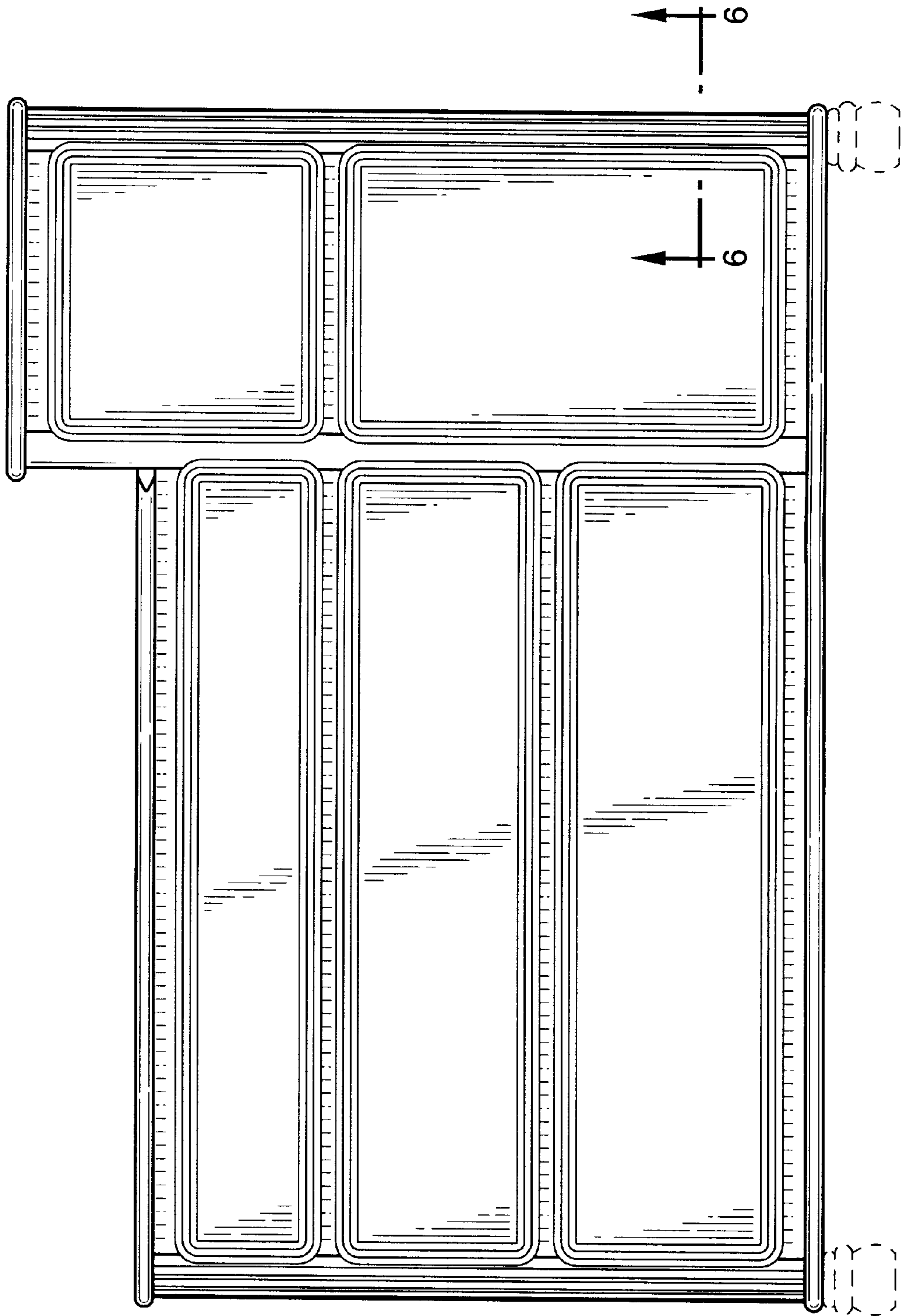


FIG. 3

FIG. 5

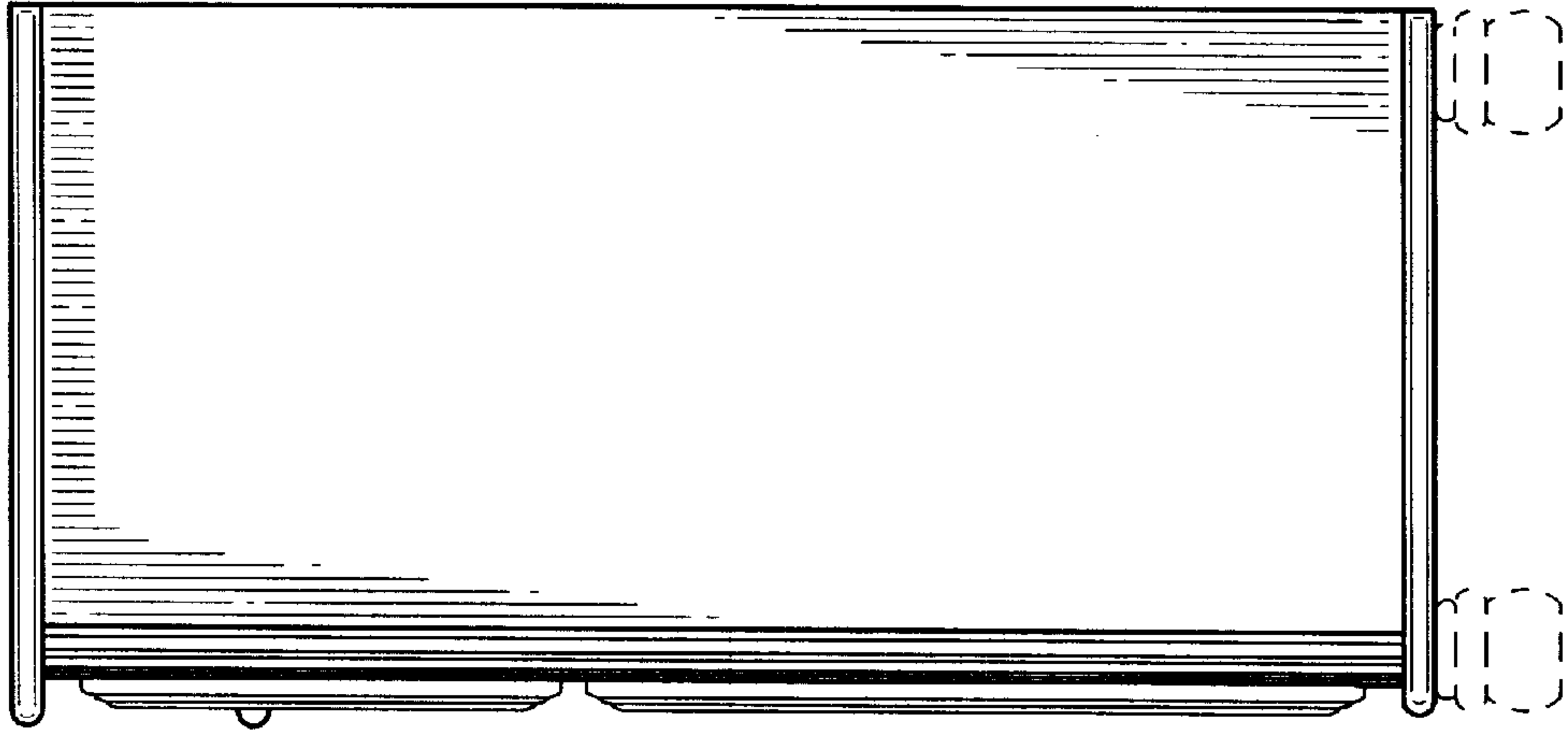
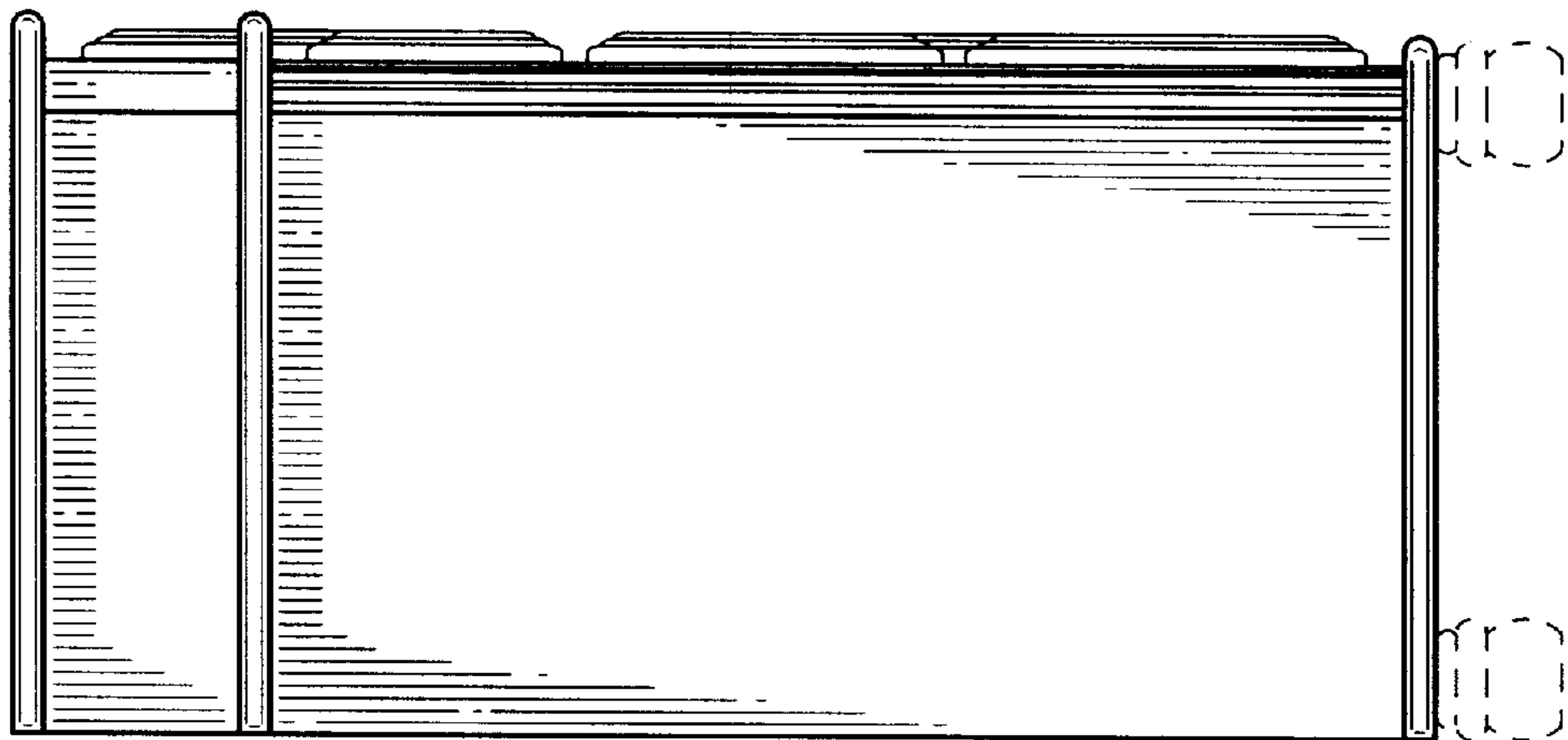


FIG. 4





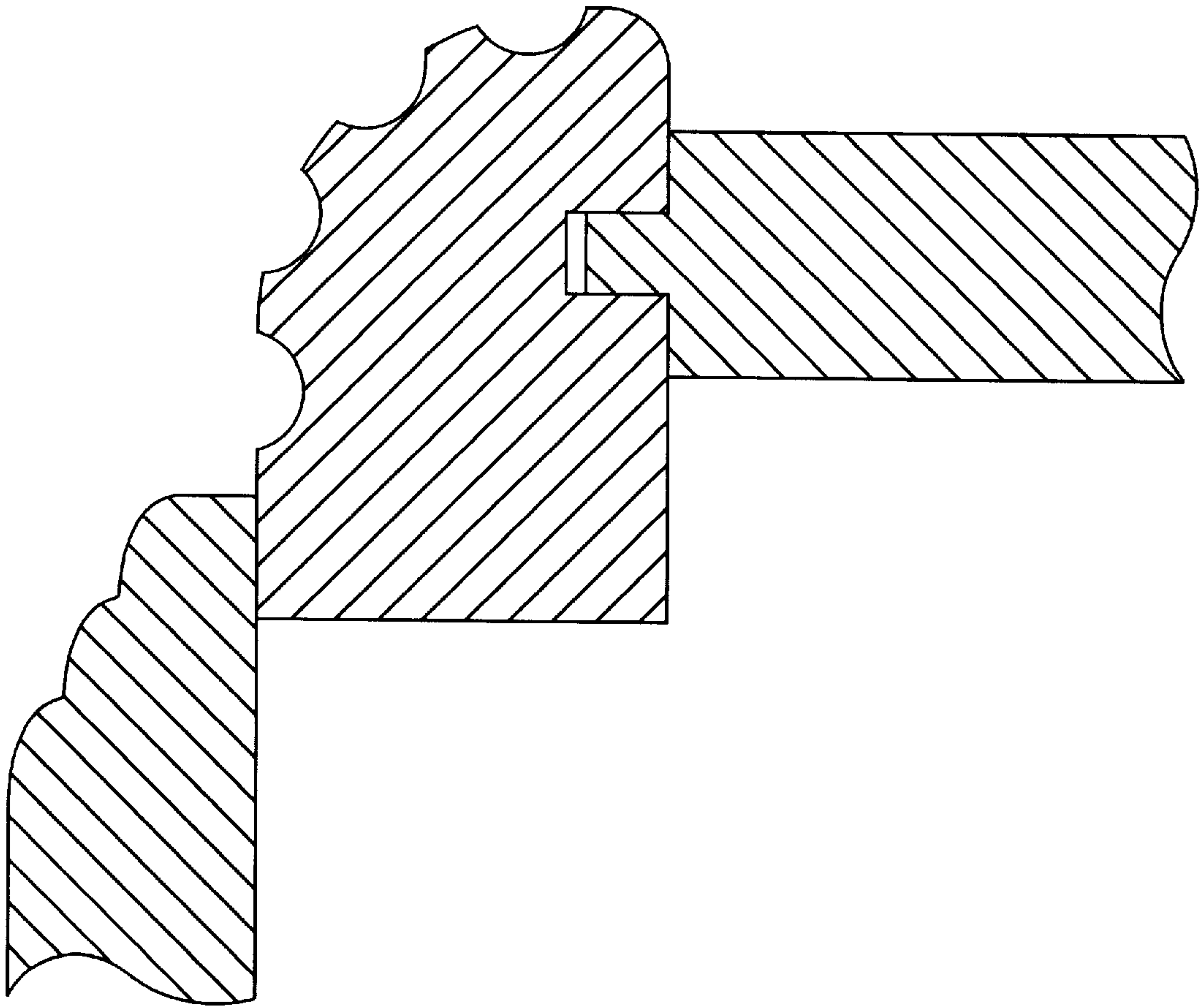


FIG. 6