



US00D444960S

(12) **United States Design Patent**
Sato

(10) **Patent No.:** **US D444,960 S**

(45) **Date of Patent:** **** Jul. 17, 2001**

(54) **COMPUTER GAME MACHINE TABLE**

(75) Inventor: **Masahiro Sato**, Miyagi (JP)

(73) Assignee: **Iris Ohyama Inc.**, Miyagi-Ken (JP)

(**) Term: **14 Years**

(21) Appl. No.: **29/126,825**

(22) Filed: **Jul. 26, 2000**

(30) **Foreign Application Priority Data**

Mar. 7, 2000	(JP)	12-04768
Mar. 7, 2000	(JP)	12-04769
Mar. 7, 2000	(JP)	12-04770

(51) **LOC (7) Cl.** **06-04**

(52) **U.S. Cl.** **D6/436; D18/59**

(58) **Field of Search** D6/432, 436, 440,
D6/445, 446; D18/53, 59; D34/19; 312/249.8,
351.11; 280/47.35, 79.2, 79.11

(56) **References Cited**

U.S. PATENT DOCUMENTS

D. 314,974	*	2/1991	Peart	D18/59
D. 329,251	*	9/1992	Olswold et al.	D18/59
D. 340,820	*	11/1993	Fischer	D6/441
D. 349,594	*	8/1994	Bonazza	D34/19 X
D. 377,721	*	2/1997	Pohlman	D6/436
D. 407,233	*	3/1999	Naas et al.	D6/425
D. 414,054	*	9/1999	Hurd	D6/436
D. 430,373	*	8/2000	Montague	D34/19
D. 436,754	*	1/2001	Bellini	D6/436 X
5,975,658	*	11/1999	Verbeek et al.	312/209

* cited by examiner

Primary Examiner—Cathron C. Brooks

(74) *Attorney, Agent, or Firm*—Sughrue, Mion, Zinn, Macpeak & Seas, PLLC.

(57) **CLAIM**

The ornamental design for computer game machine table, as shown and described.

DESCRIPTION

FIG. 1 is a front elevational view of the computer game machine table showing my new design;

FIG. 2 is a rear elevational view thereof;
 FIG. 3 is a right side elevational view thereof; the left side elevational view being a mirror image thereof;
 FIG. 4 is a top plan view thereof;
 FIG. 5 is a perspective view thereof;
 FIG. 6 is a perspective view with the top lid opened, and the trays and drawer removed to the exterior thereof;
 FIG. 7 is a perspective view of the tray and the drawer thereof, shown separately for completeness of illustration;
 FIG. 8 is a perspective view of a second embodiment; which is identical to the design of FIG. 1, but with one middle stage thereof removed;
 FIG. 9 is a perspective view of a third embodiment; which is identical to the design of FIG. 1, but with both middle stages thereof removed;
 FIG. 10 is a right side view of FIG. 1;
 FIG. 11 is a right side elevational view of the embodiment of FIG. 1, with the top lid and bottom drawer thereof opened;
 FIG. 12 is a front elevational view of the second embodiment; and
 FIG. 13 is a rear elevational view thereof;
 FIG. 14 is a right side elevational view of the second embodiment, the left side elevational view being a mirror image thereof; and
 FIG. 15 is a top plan view thereof;
 FIG. 16 is a right side view thereof;
 FIG. 17 is a view similar to FIG. 11, for the second embodiment;
 FIG. 18 is a view similar to FIG. 6, for the second embodiment;
 FIG. 19 is a front elevational view of the third embodiment;
 FIG. 20 is a rear elevational view thereof;
 FIG. 21 is a right side elevational view thereof, the left side elevational view being a mirror image thereof;
 FIG. 22 is a top plan view thereof;
 FIG. 23 is a view similar to FIG. 11, for the third embodiment, and,
 FIG. 24 is a view similar to FIG. 6, for the third embodiment.

1 Claim, 24 Drawing Sheets

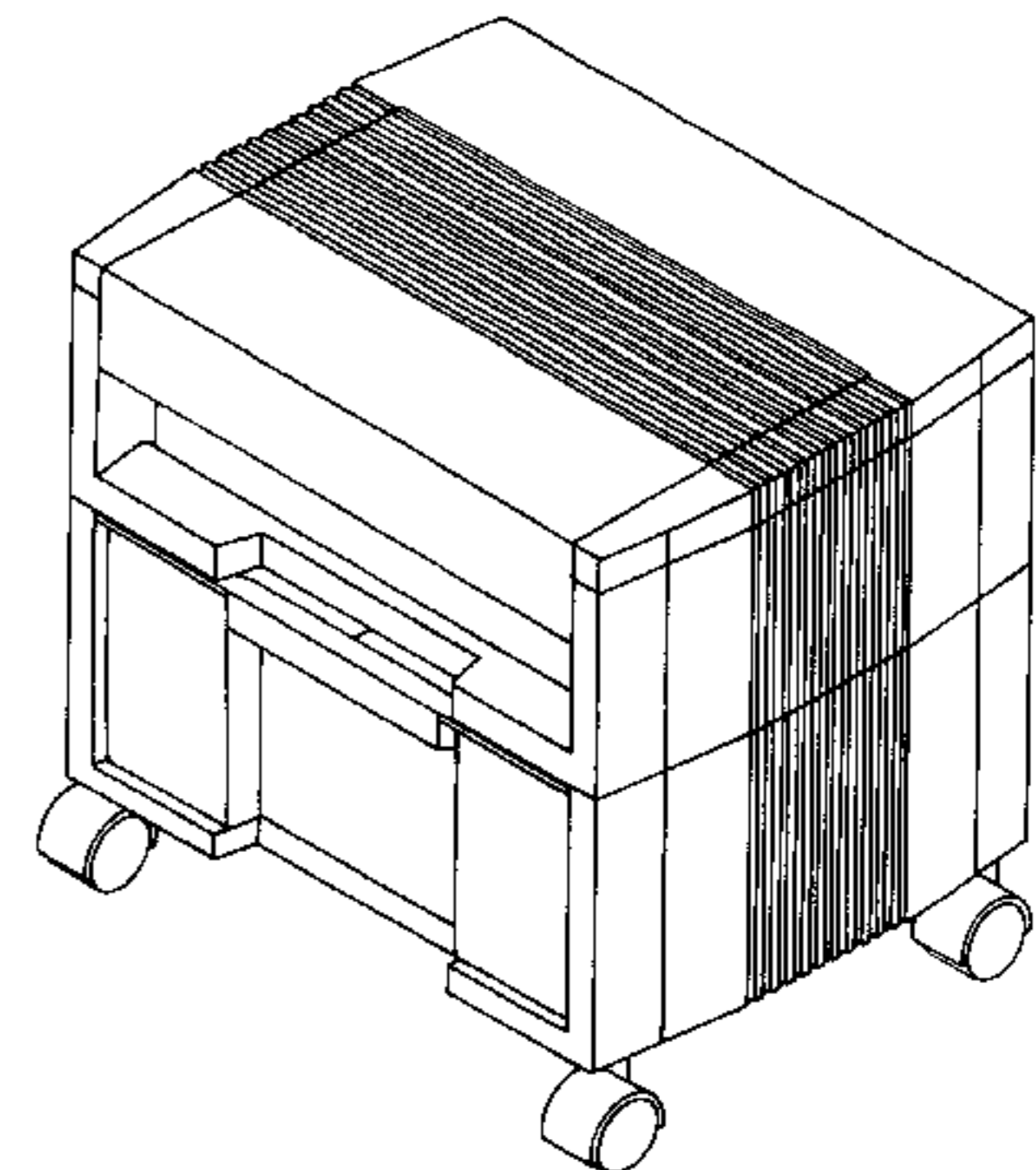
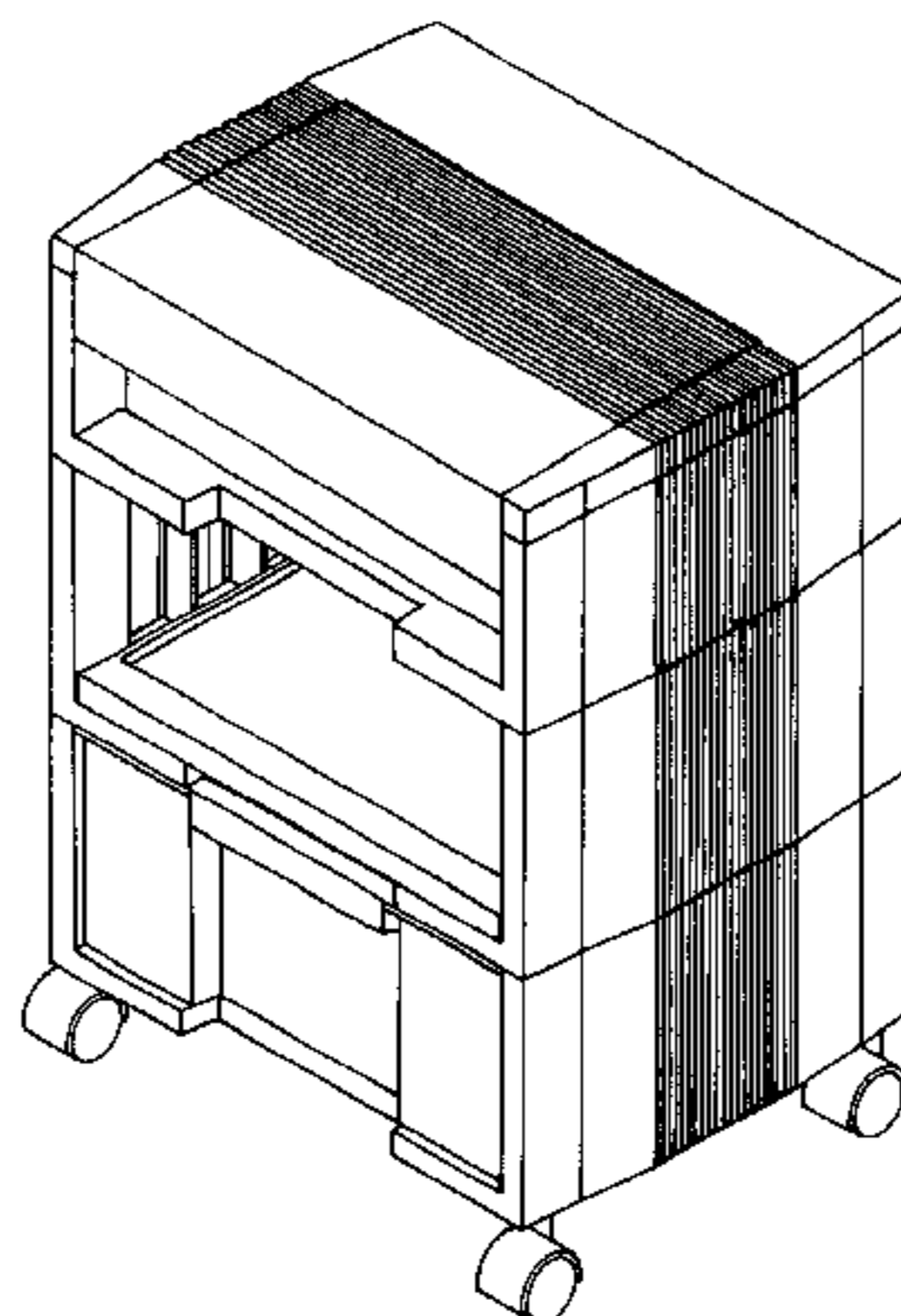
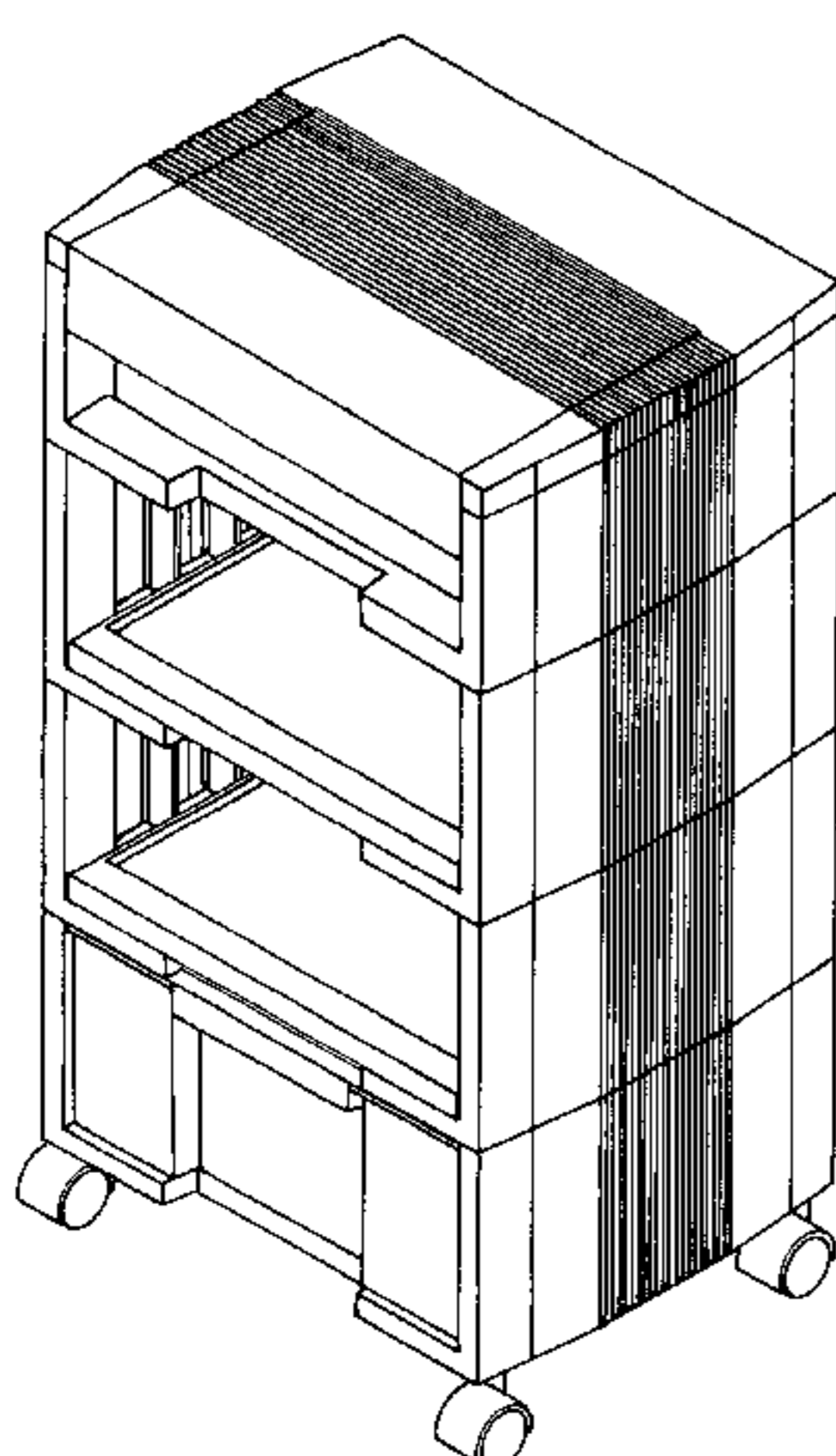


FIG. 1

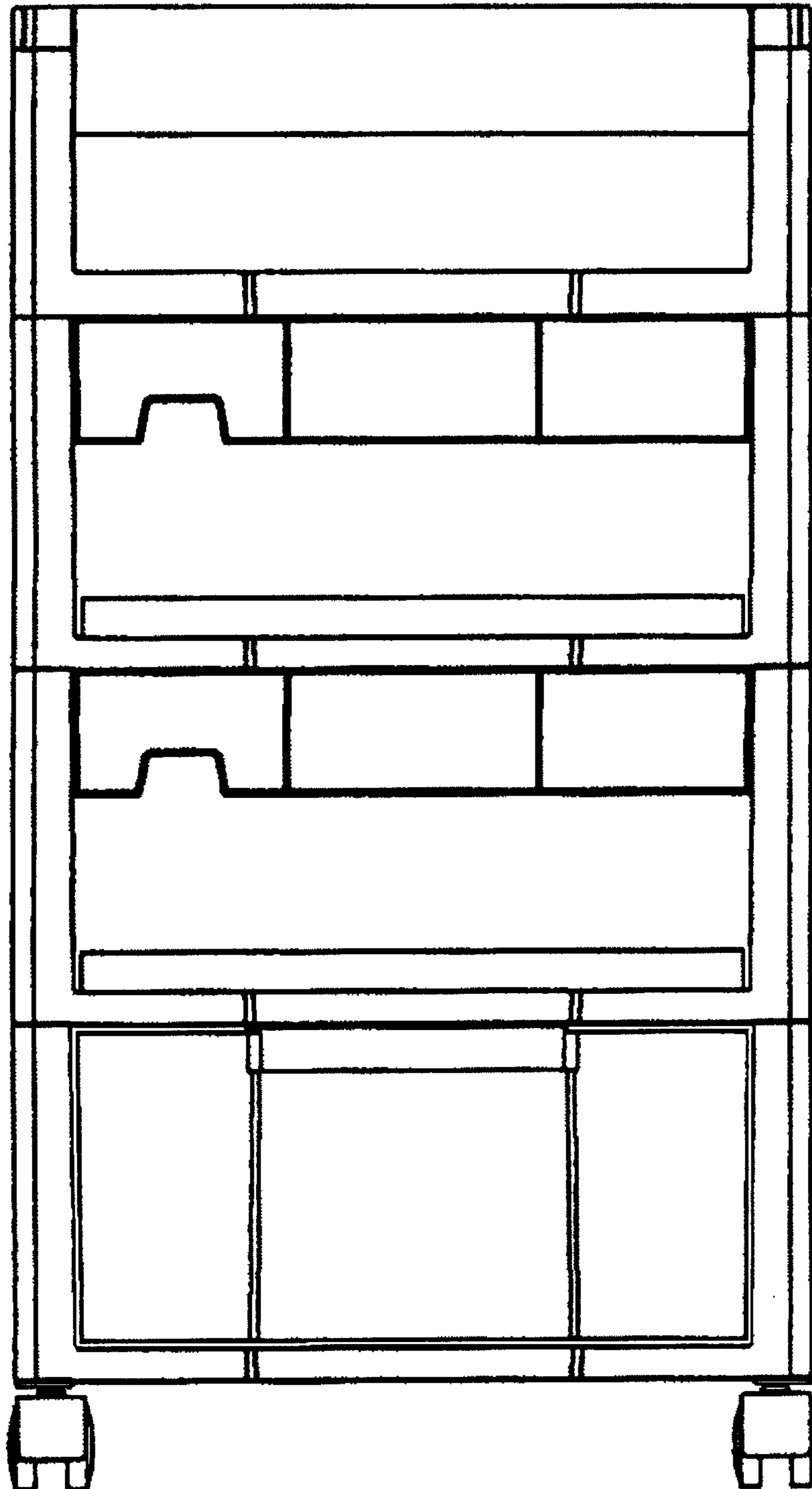


FIG. 2

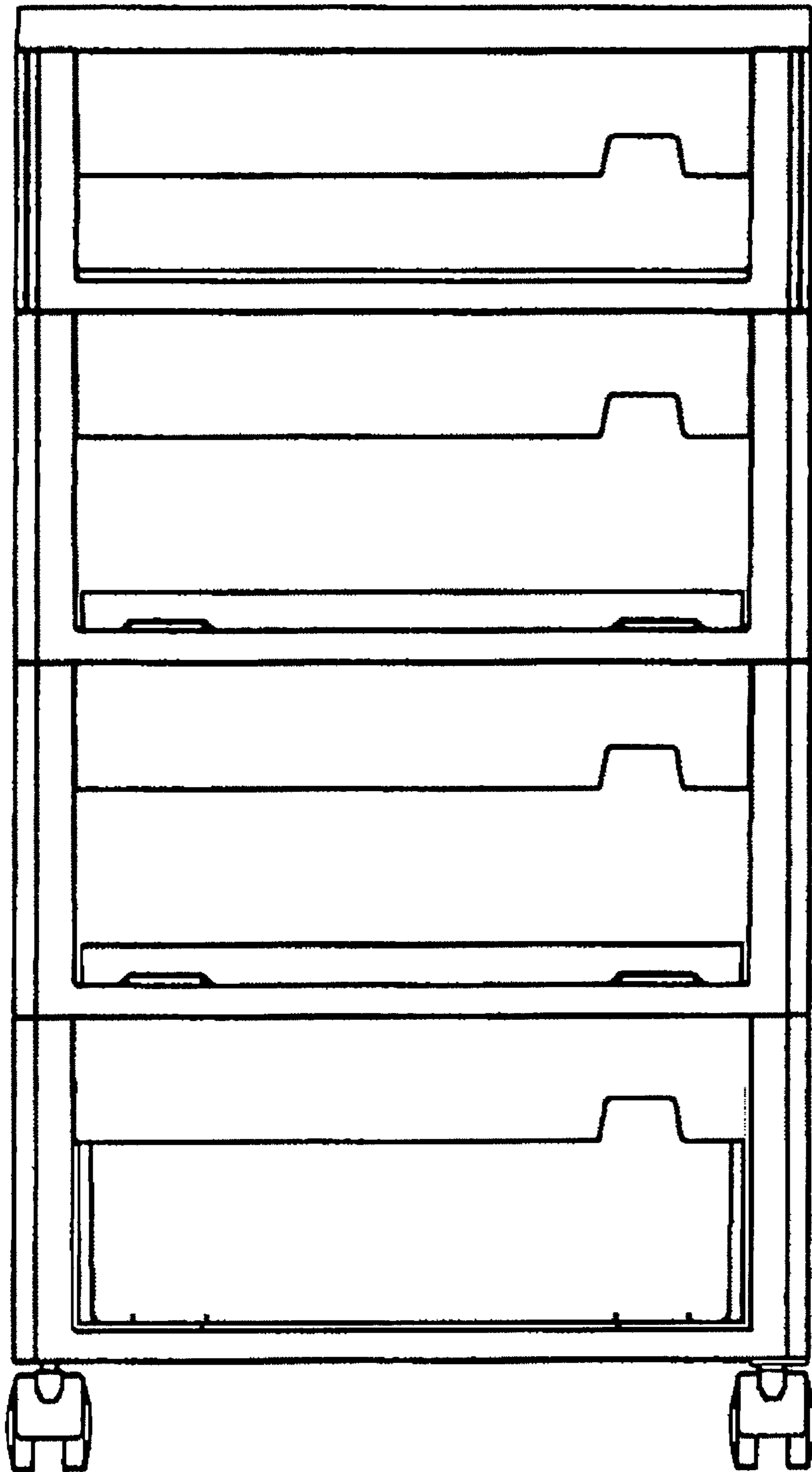


FIG. 3

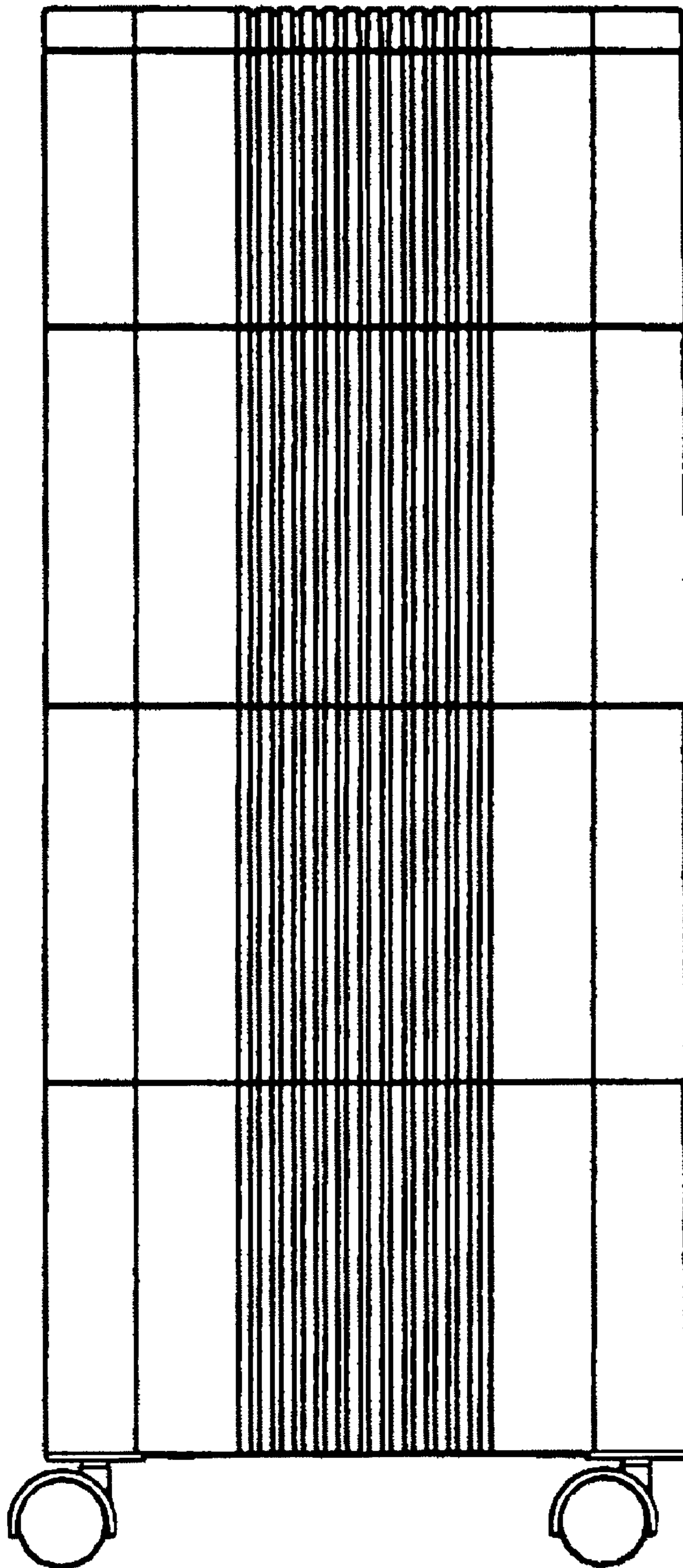


FIG. 4

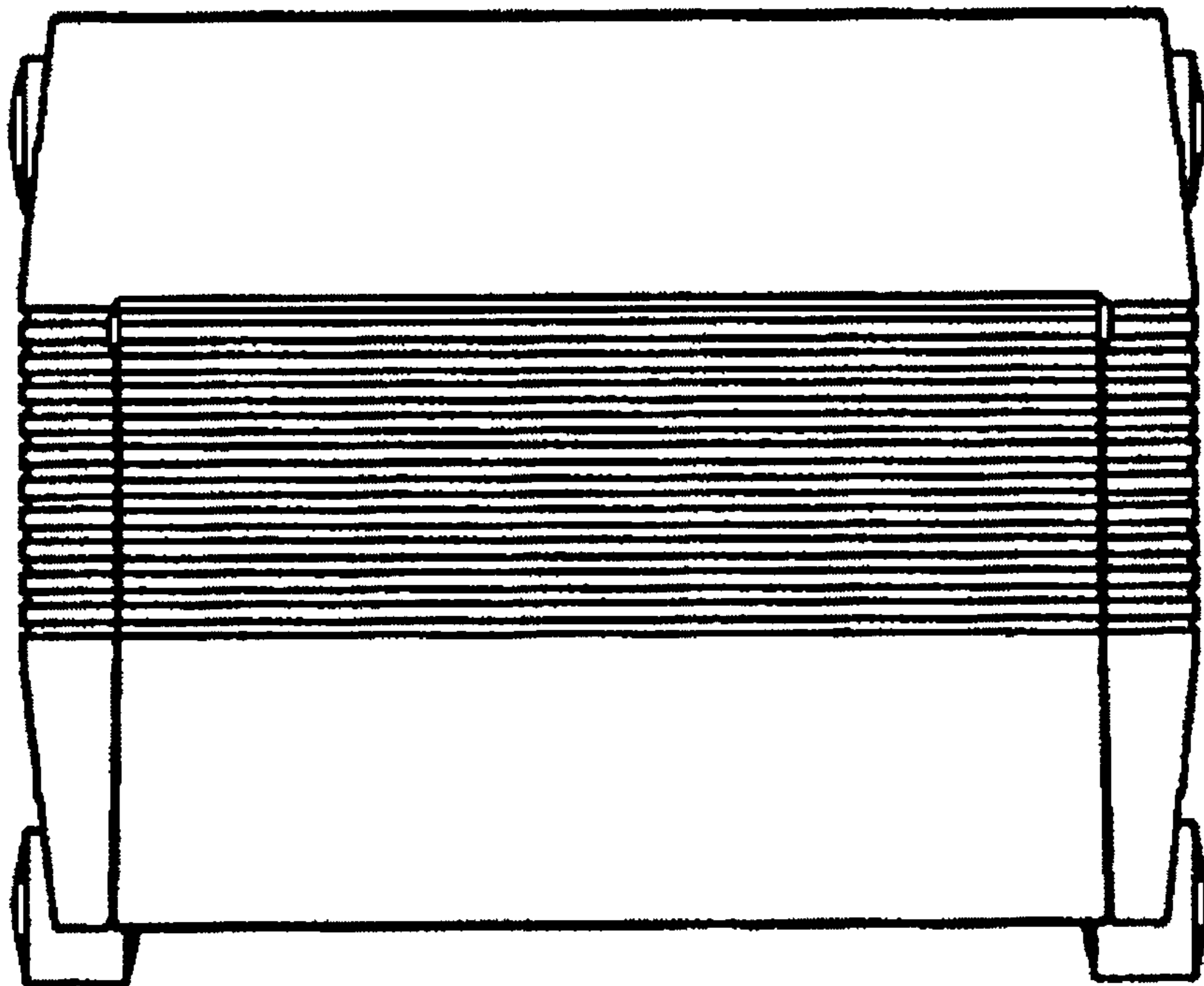


FIG. 5

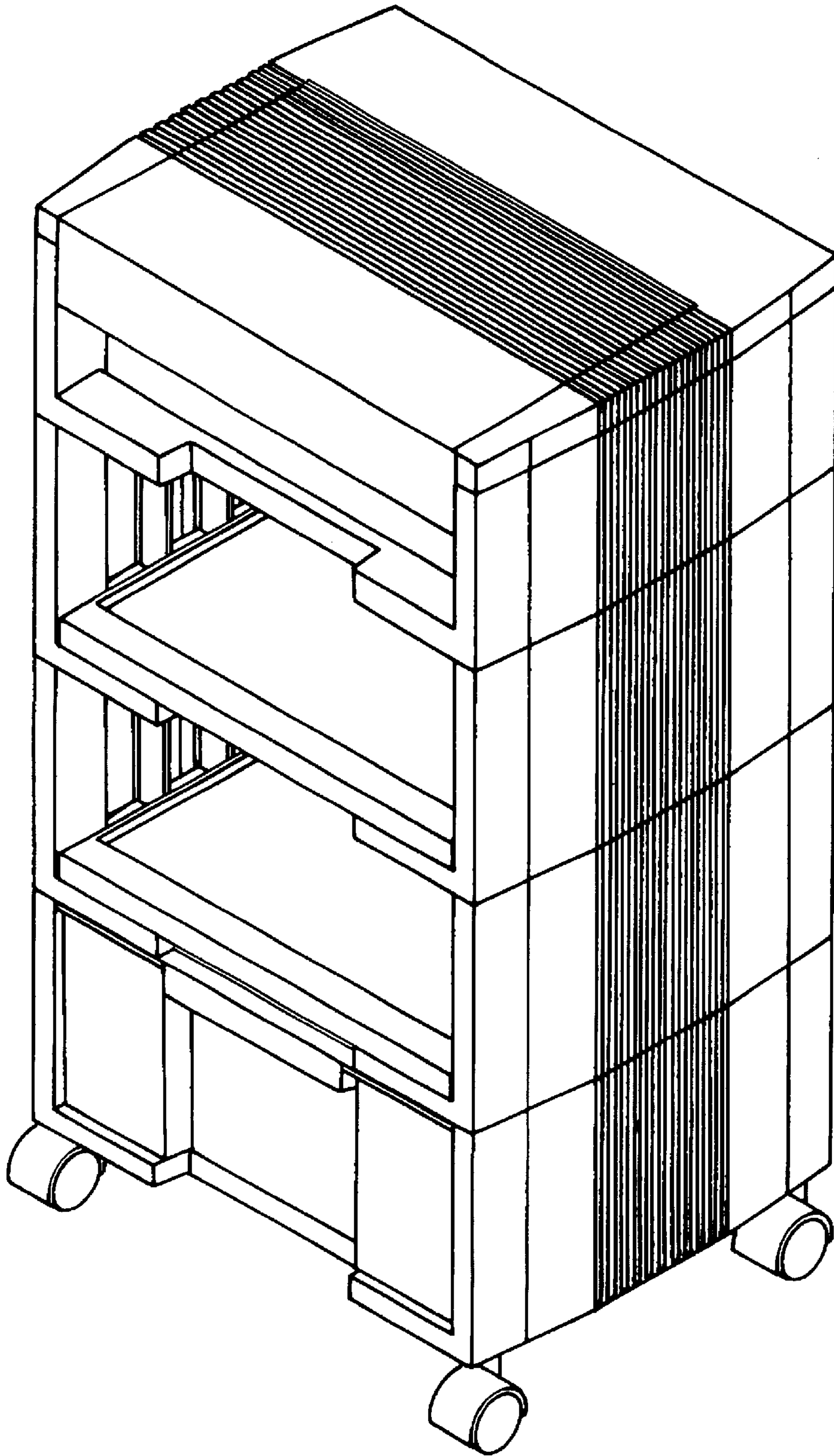


FIG. 6

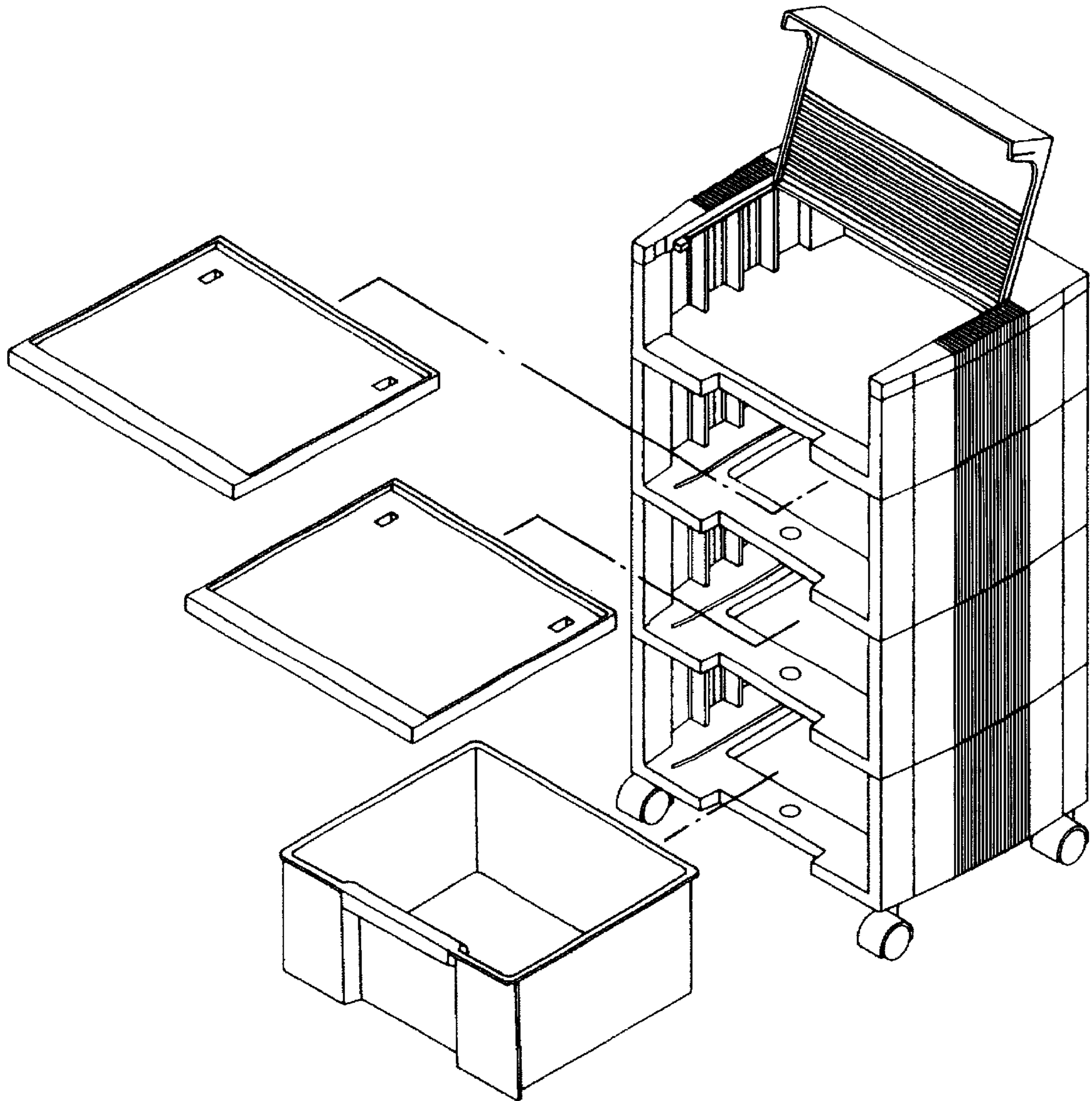


FIG. 7

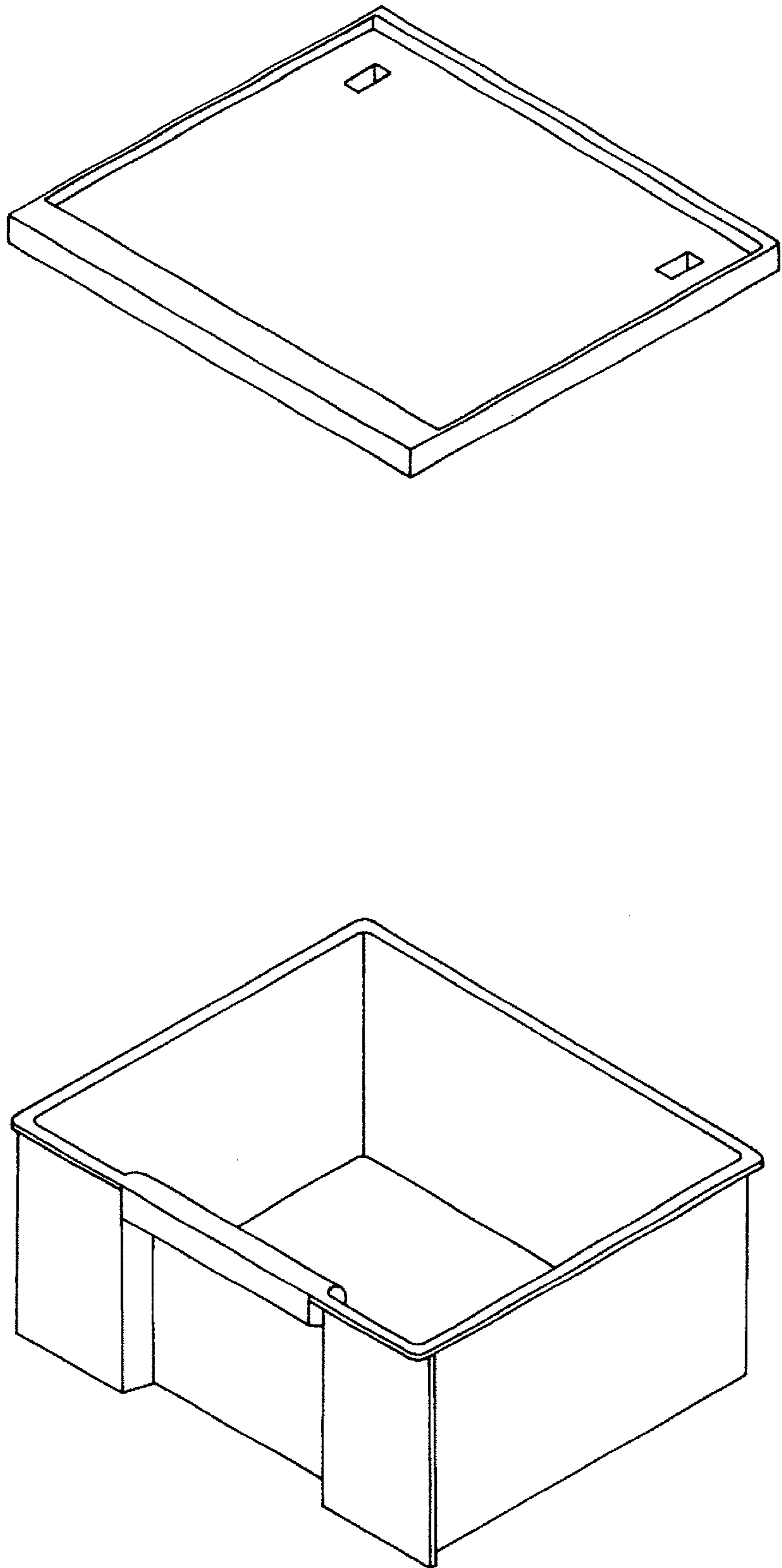


FIG. 8

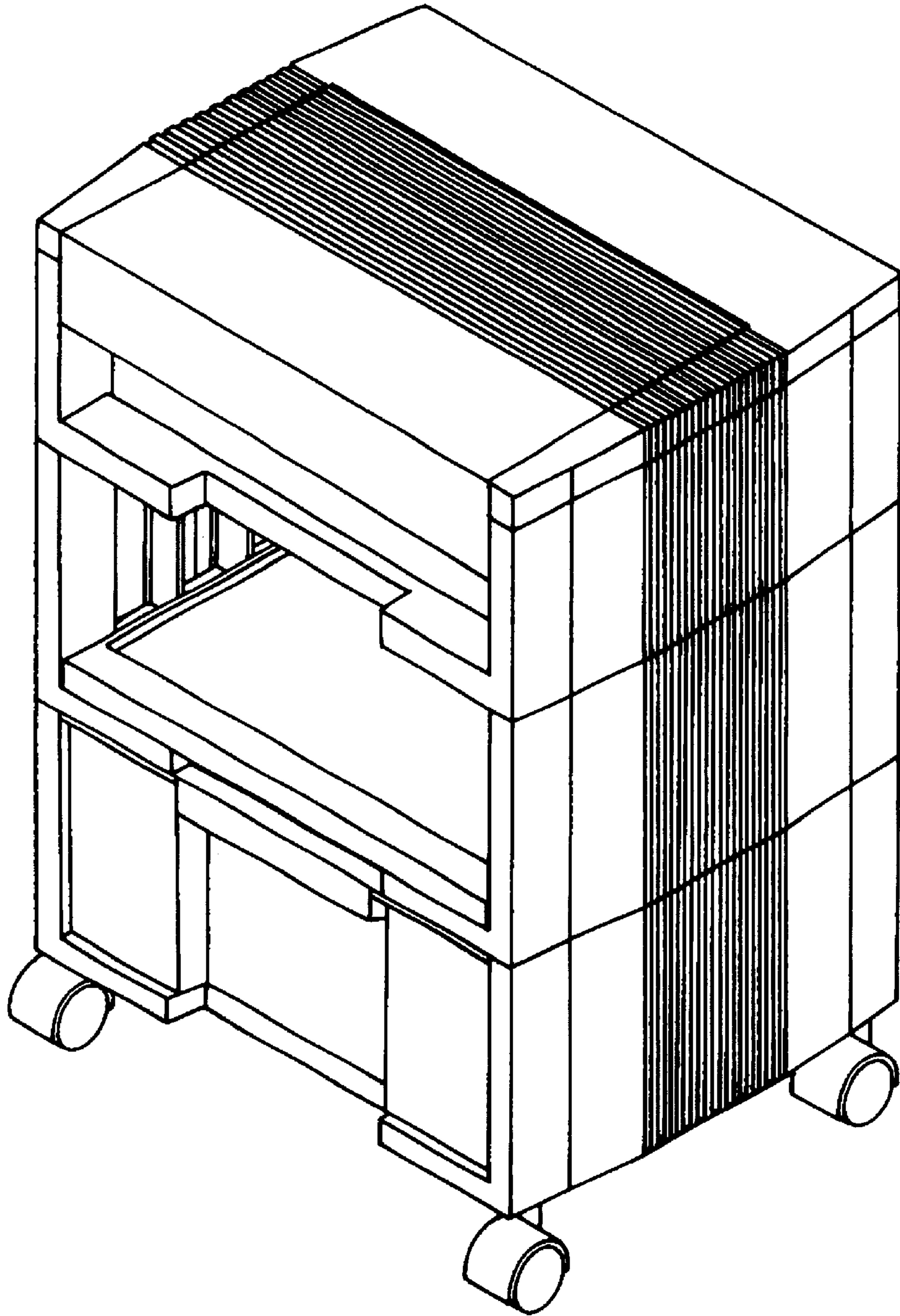


FIG. 9

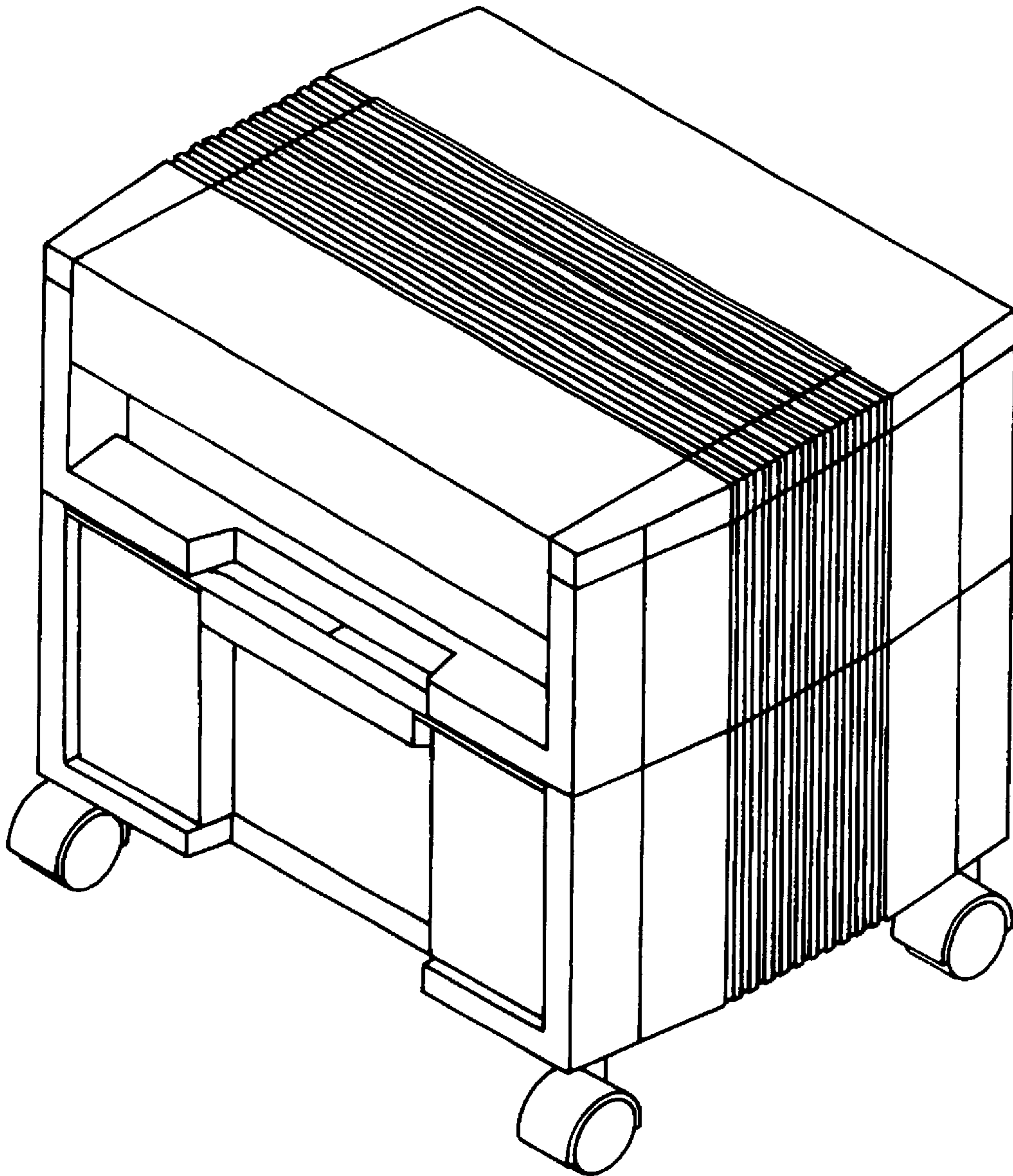


FIG. 10

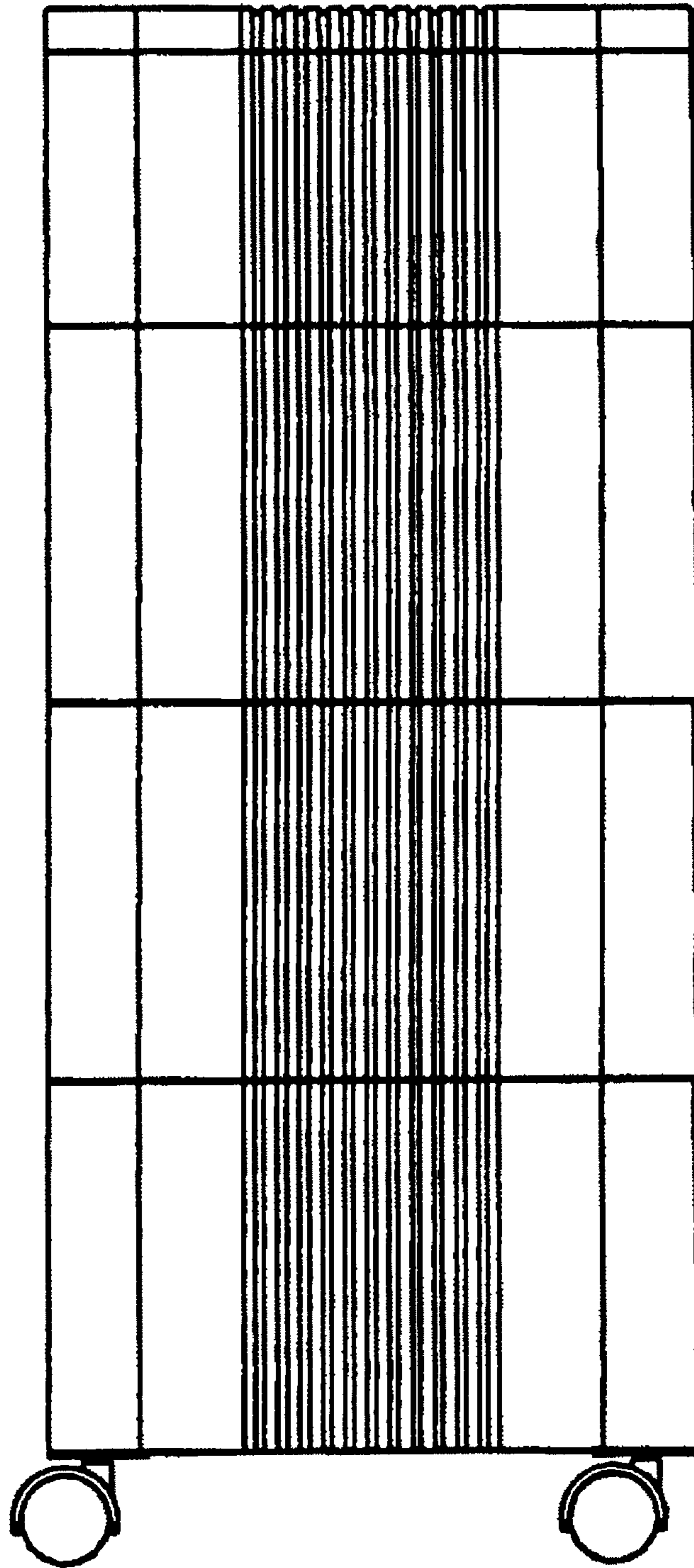


FIG. 11

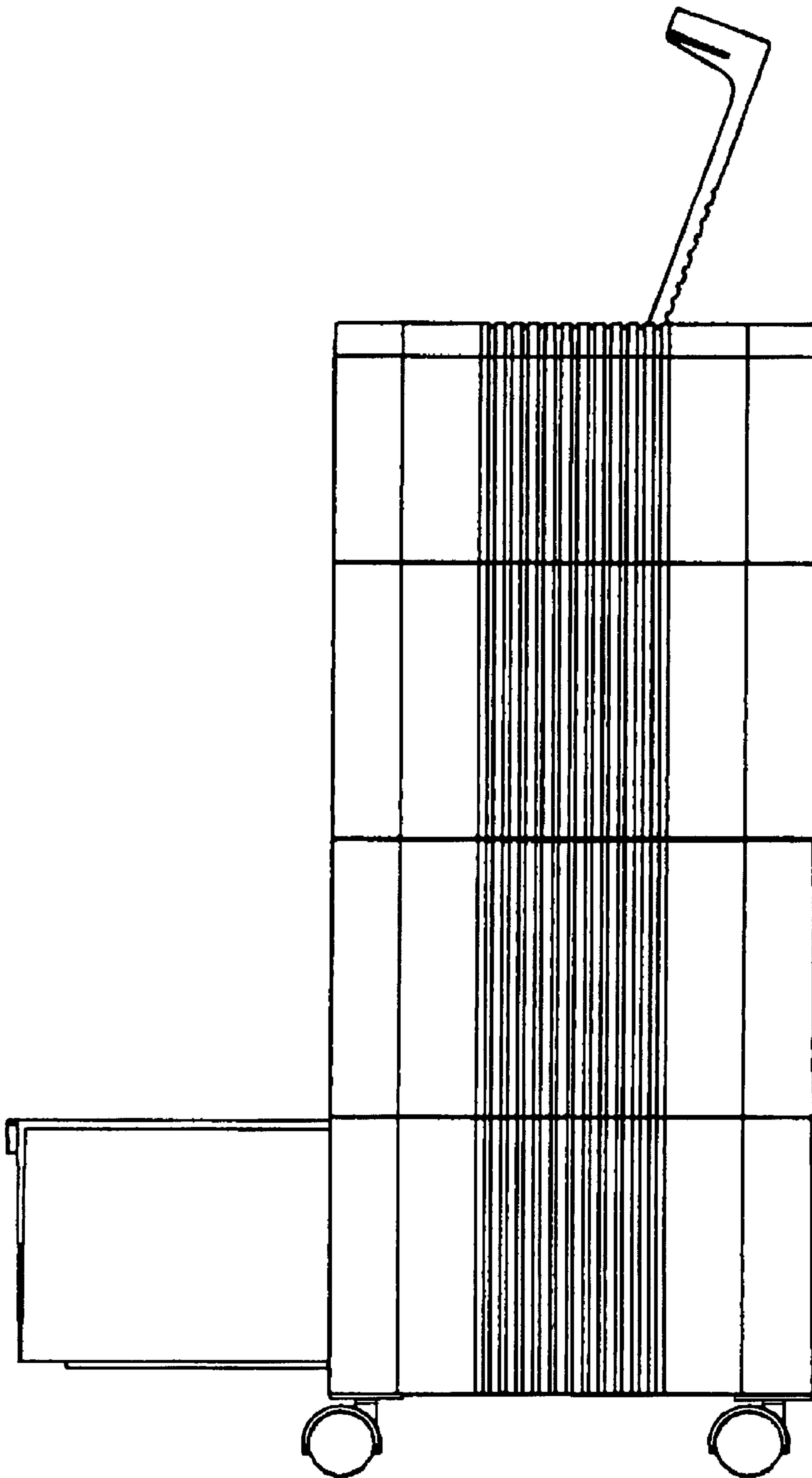


FIG. 12

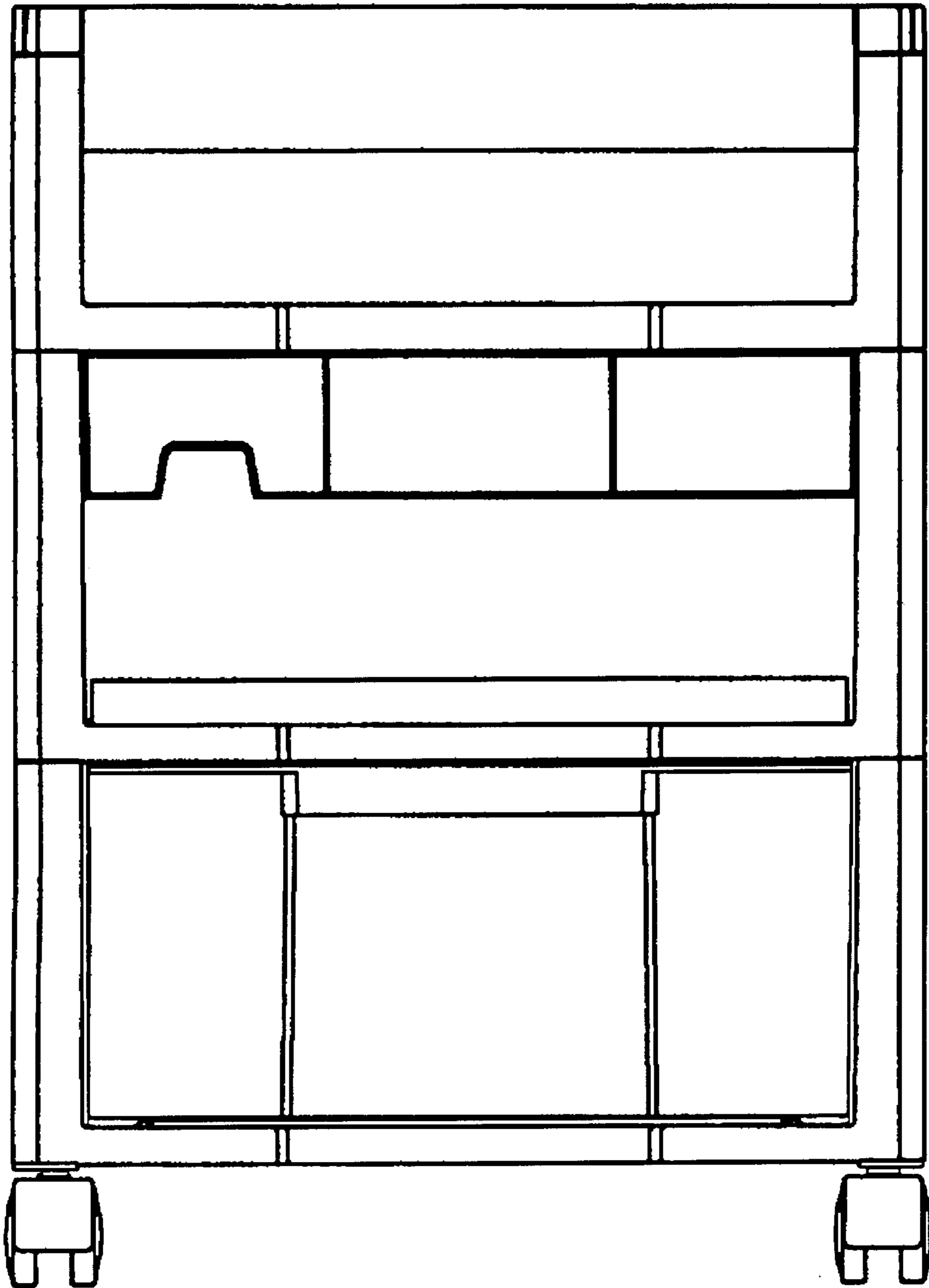


FIG. 13

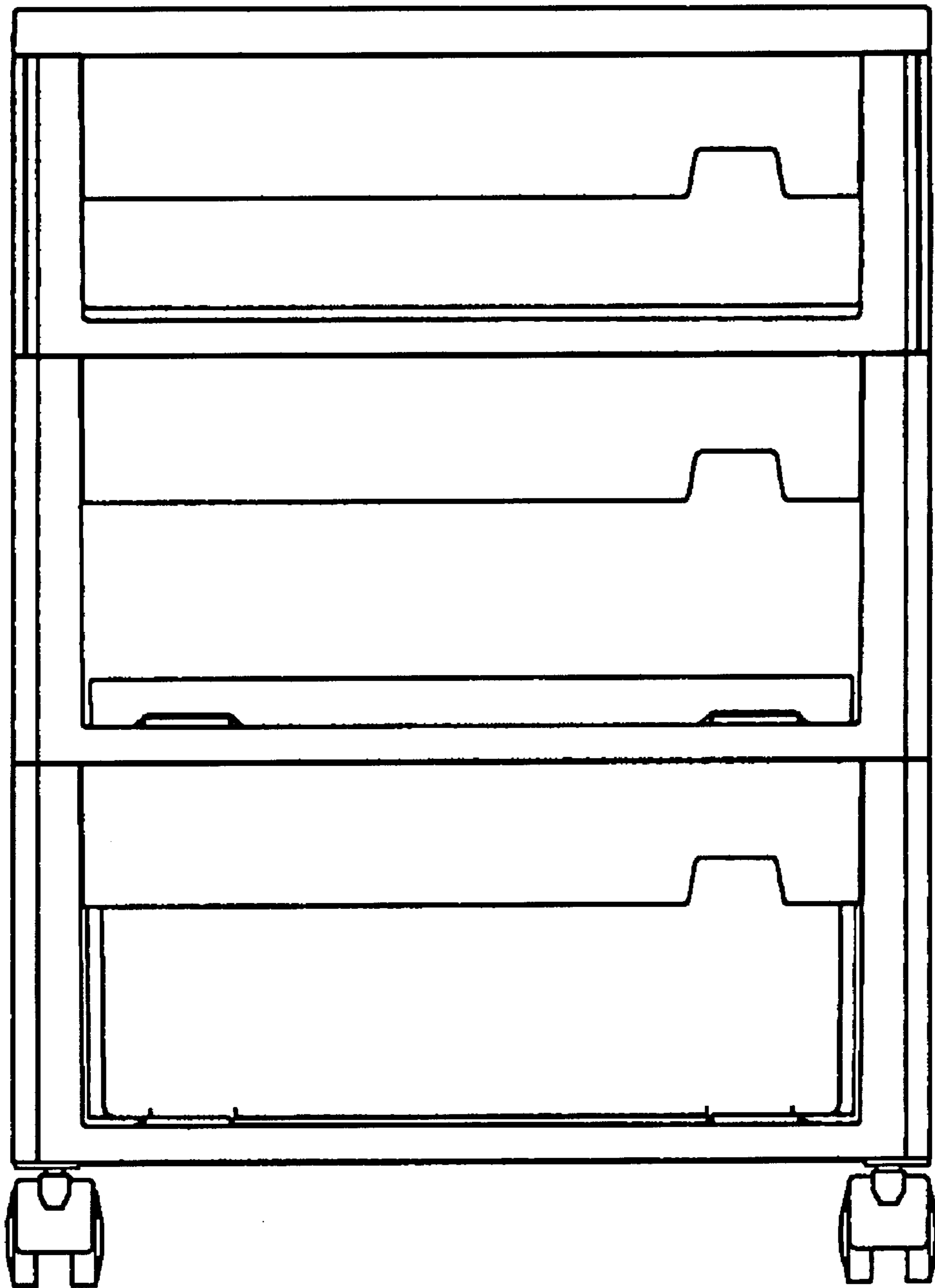


FIG. 14

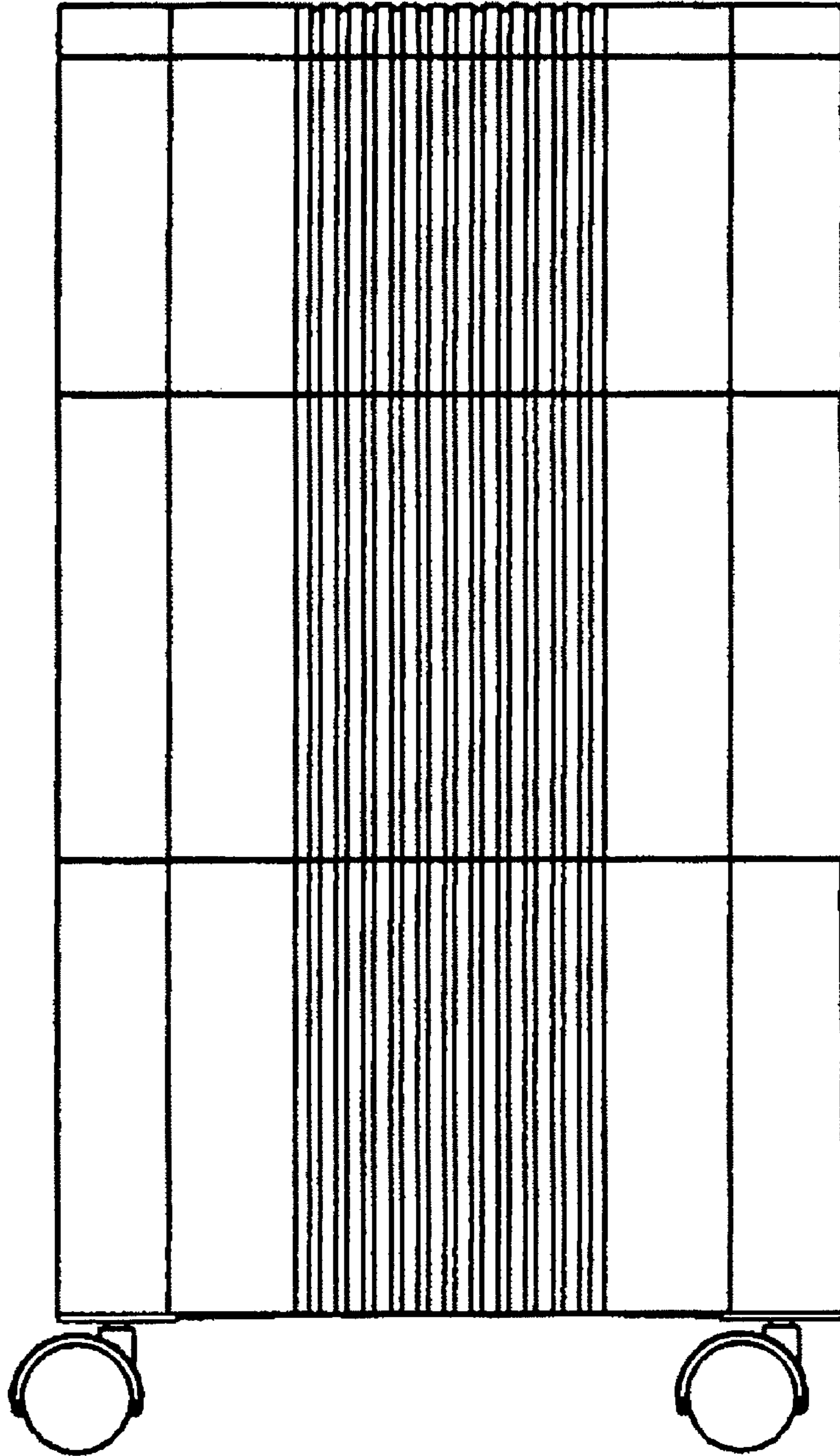


FIG. 15

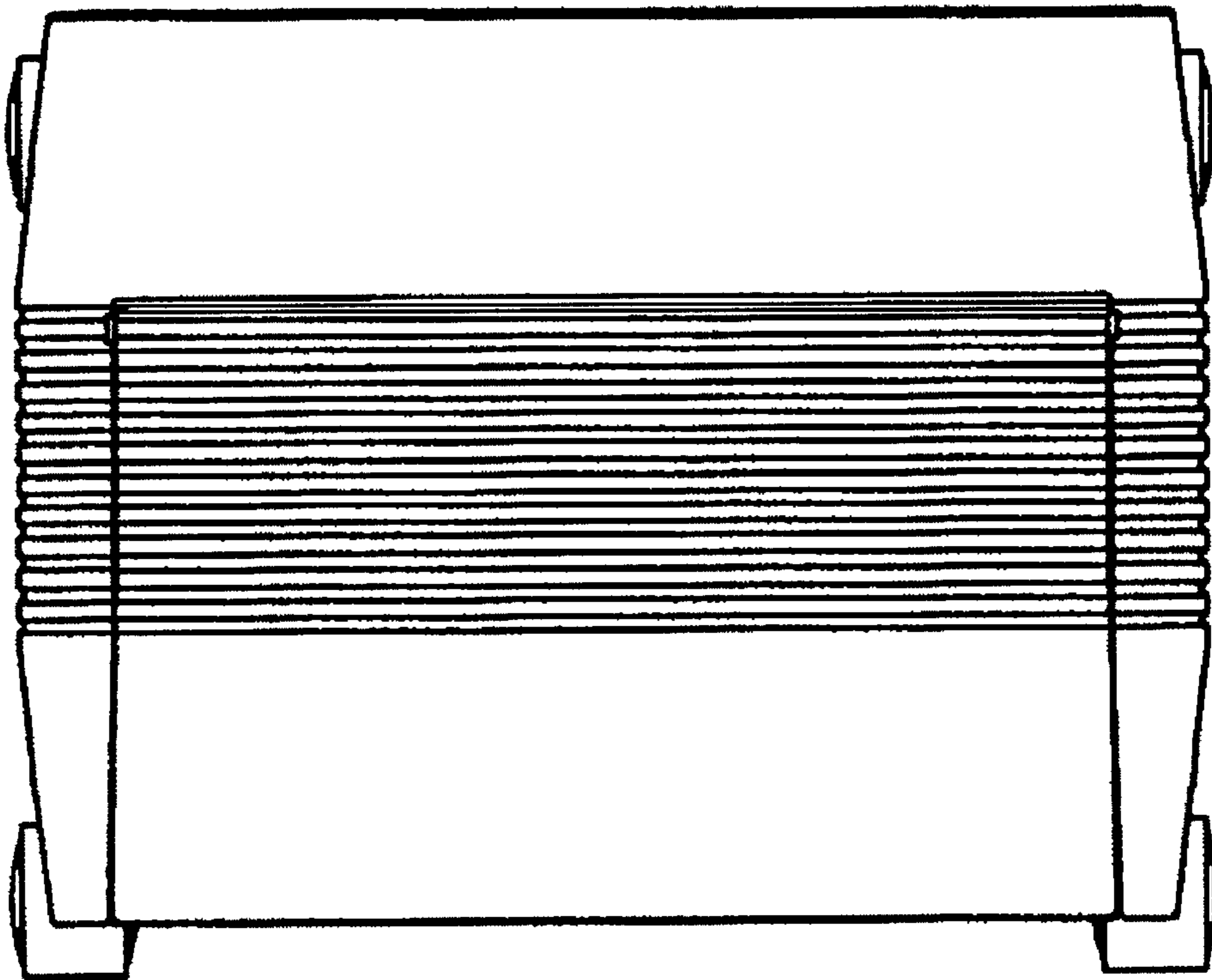


FIG. 16

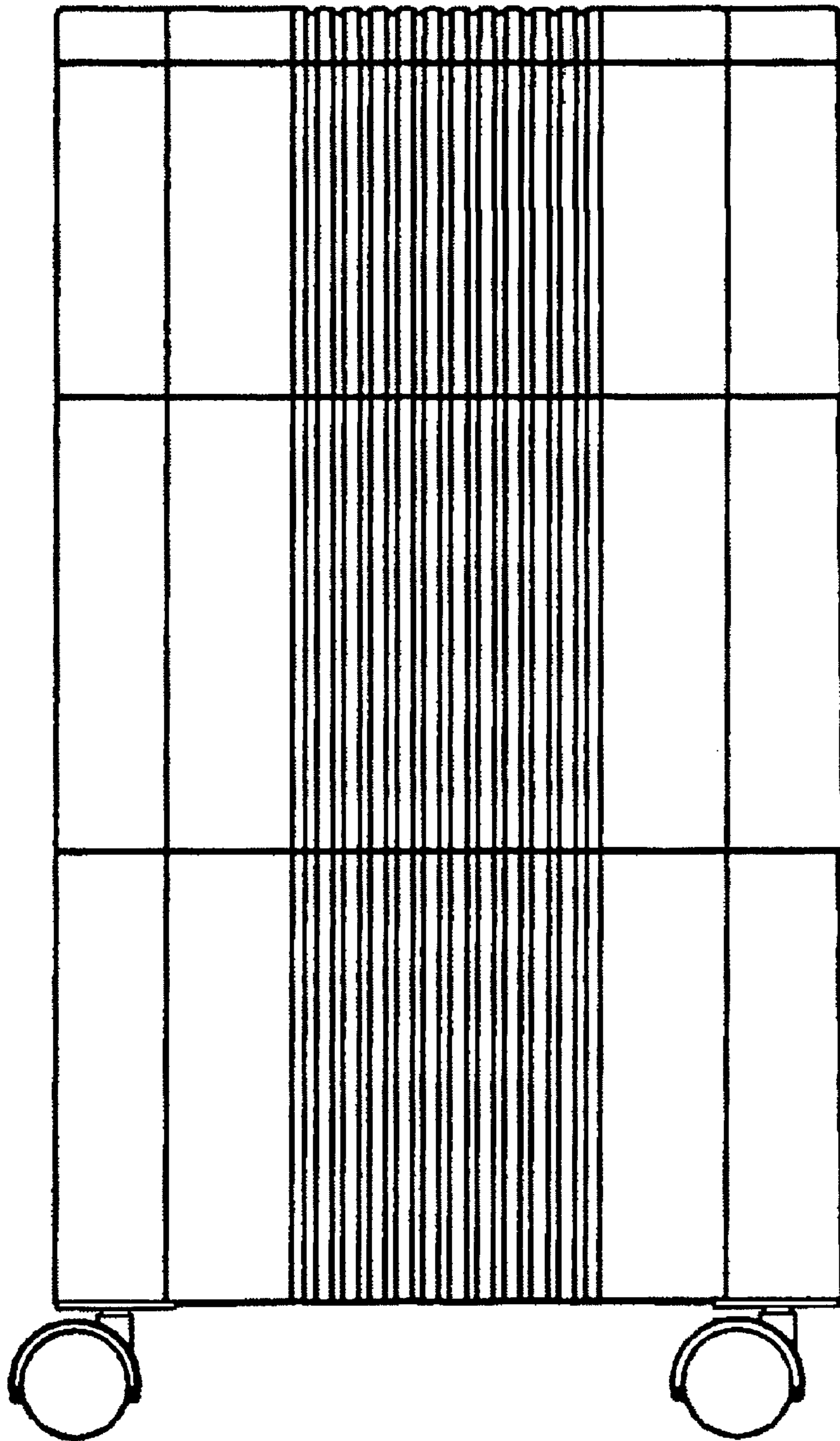
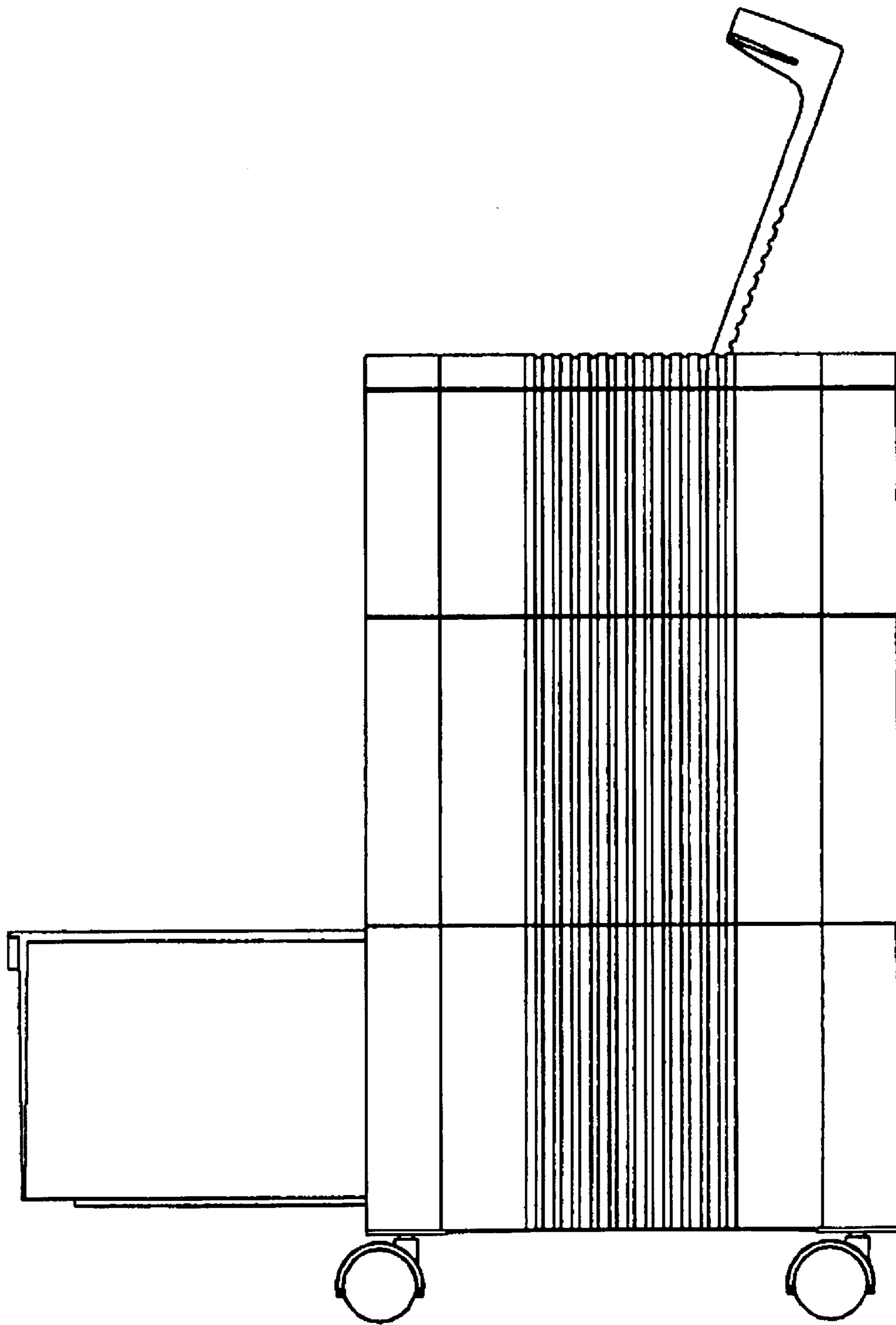


FIG. 17



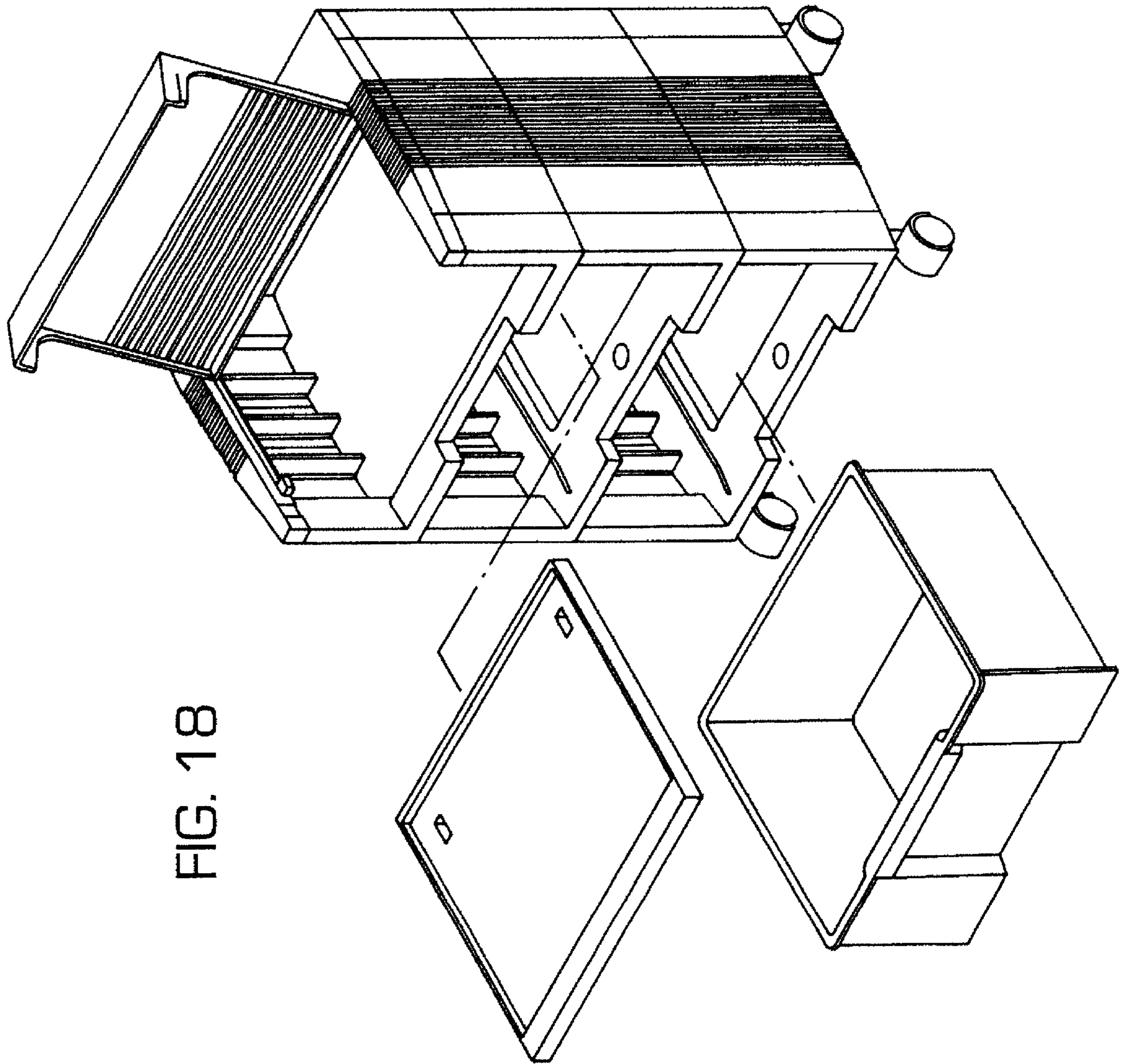


FIG. 18

FIG. 19

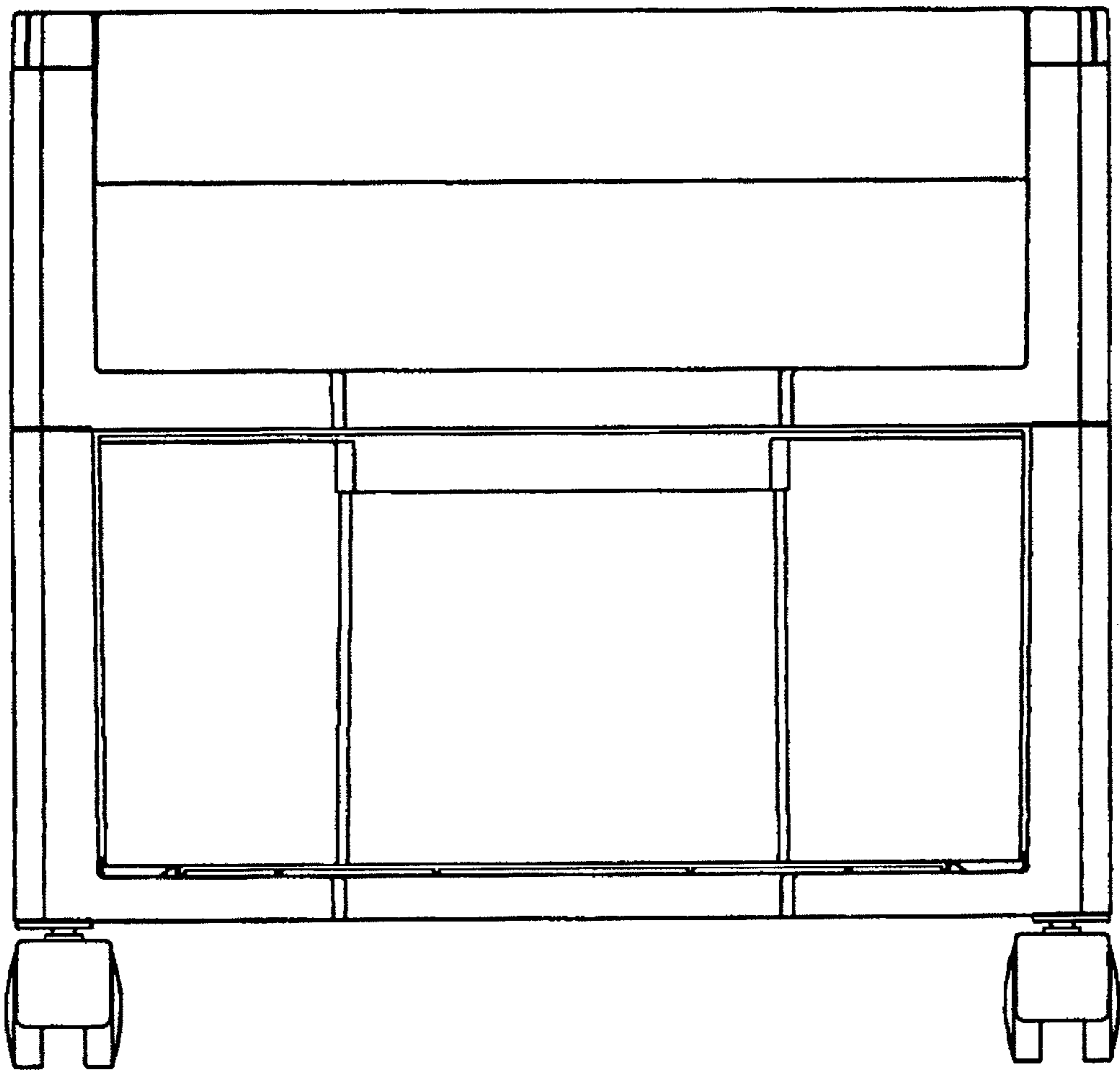


FIG. 20

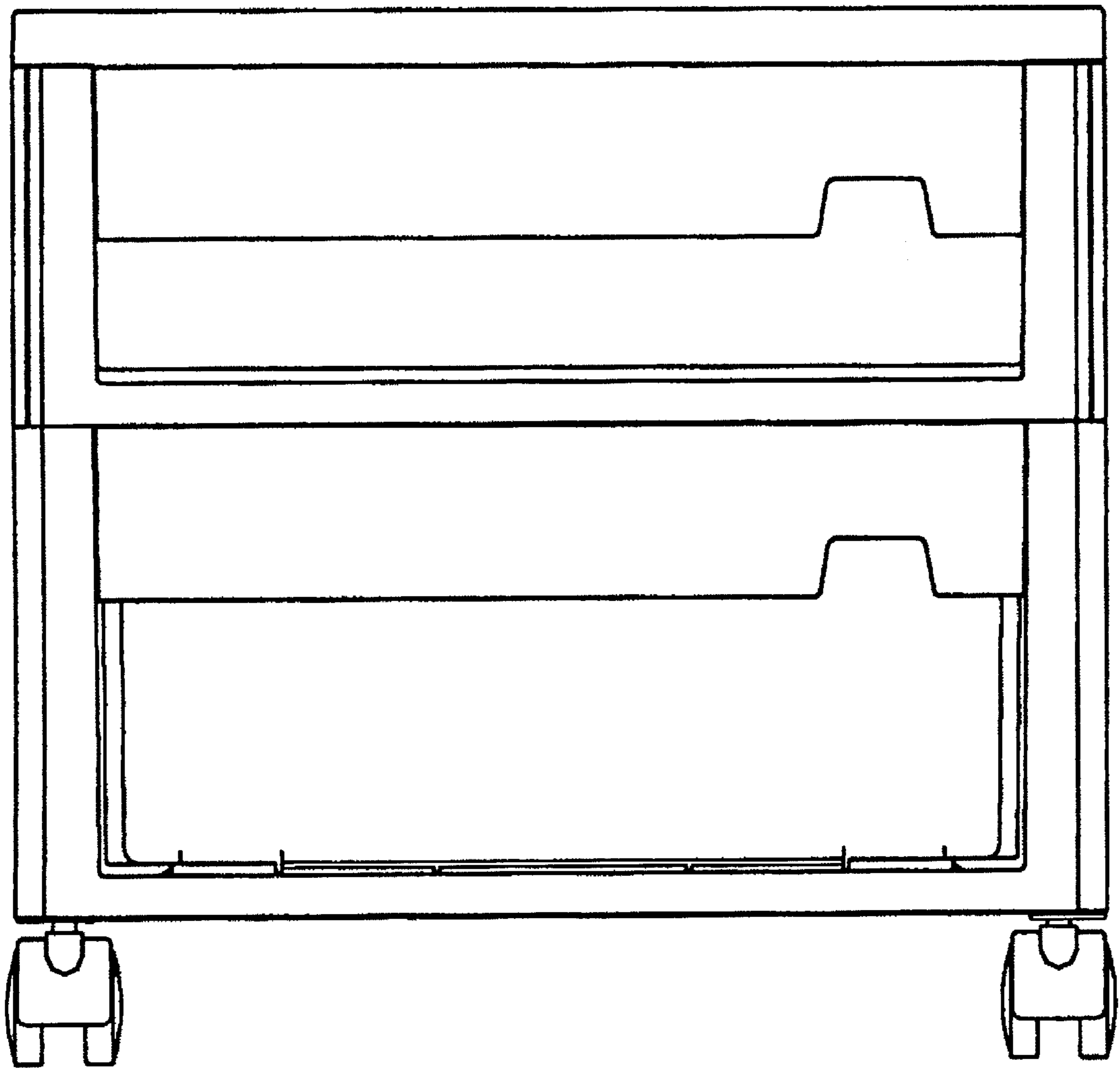


FIG. 21

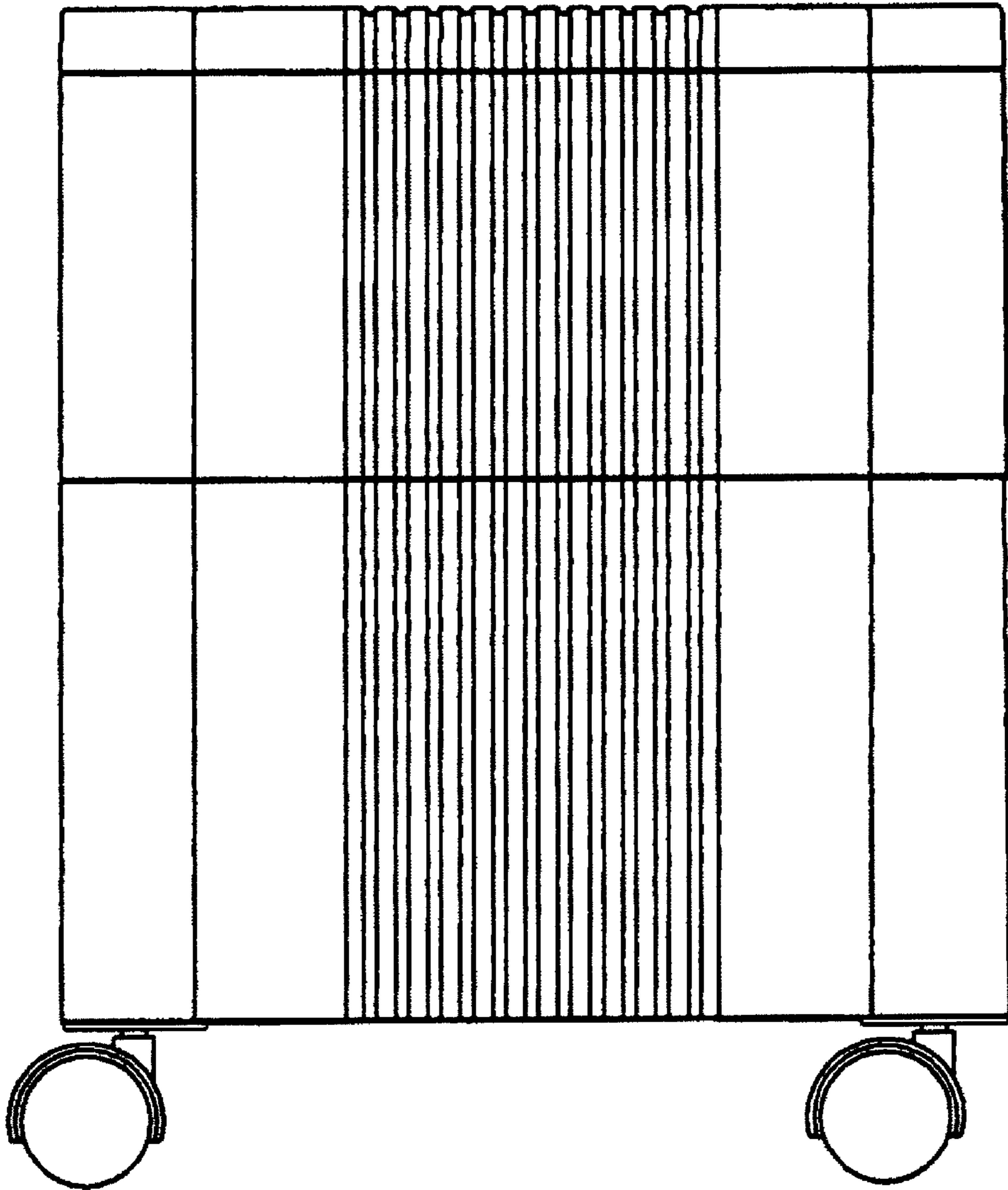


FIG. 22

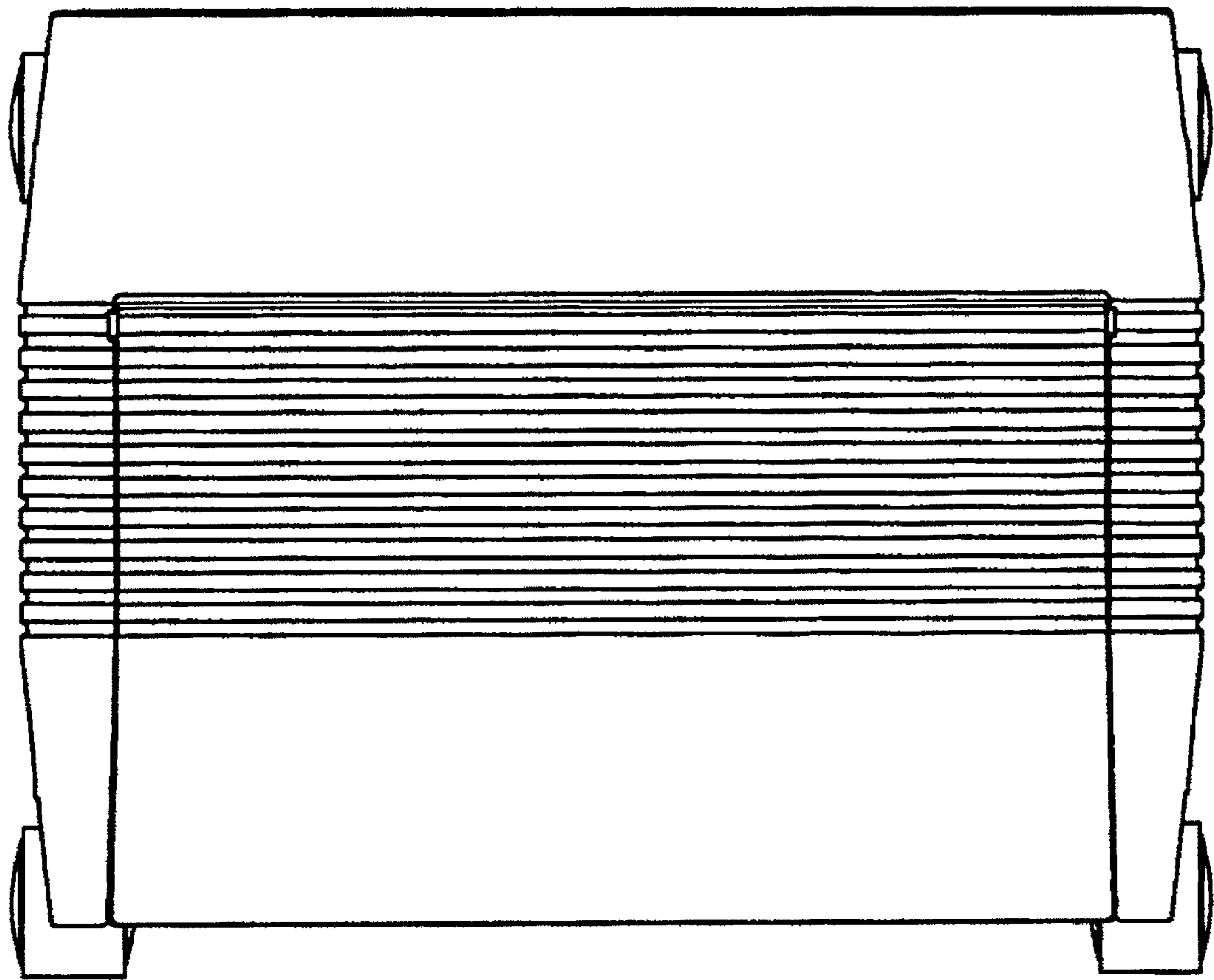
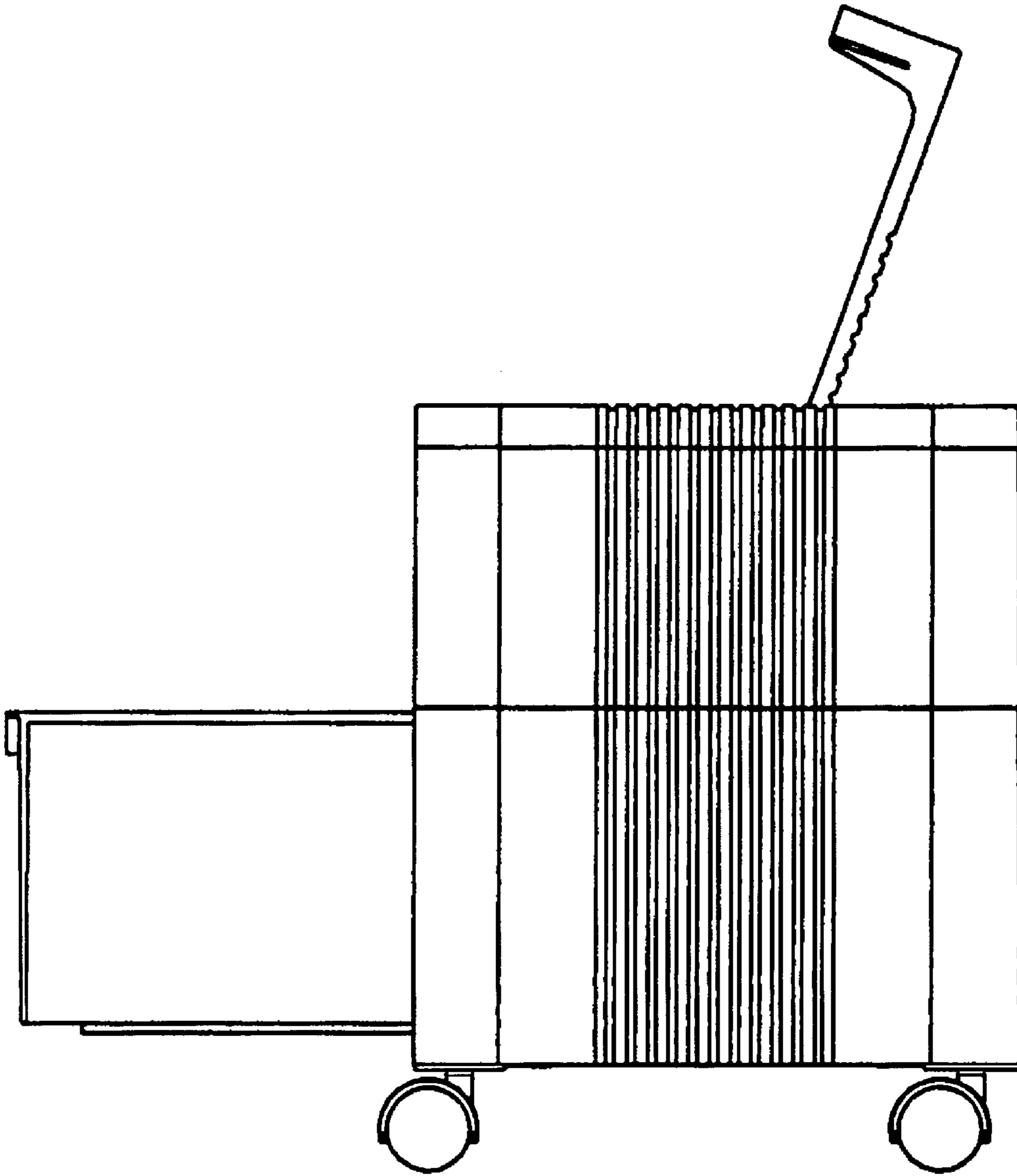


FIG. 23



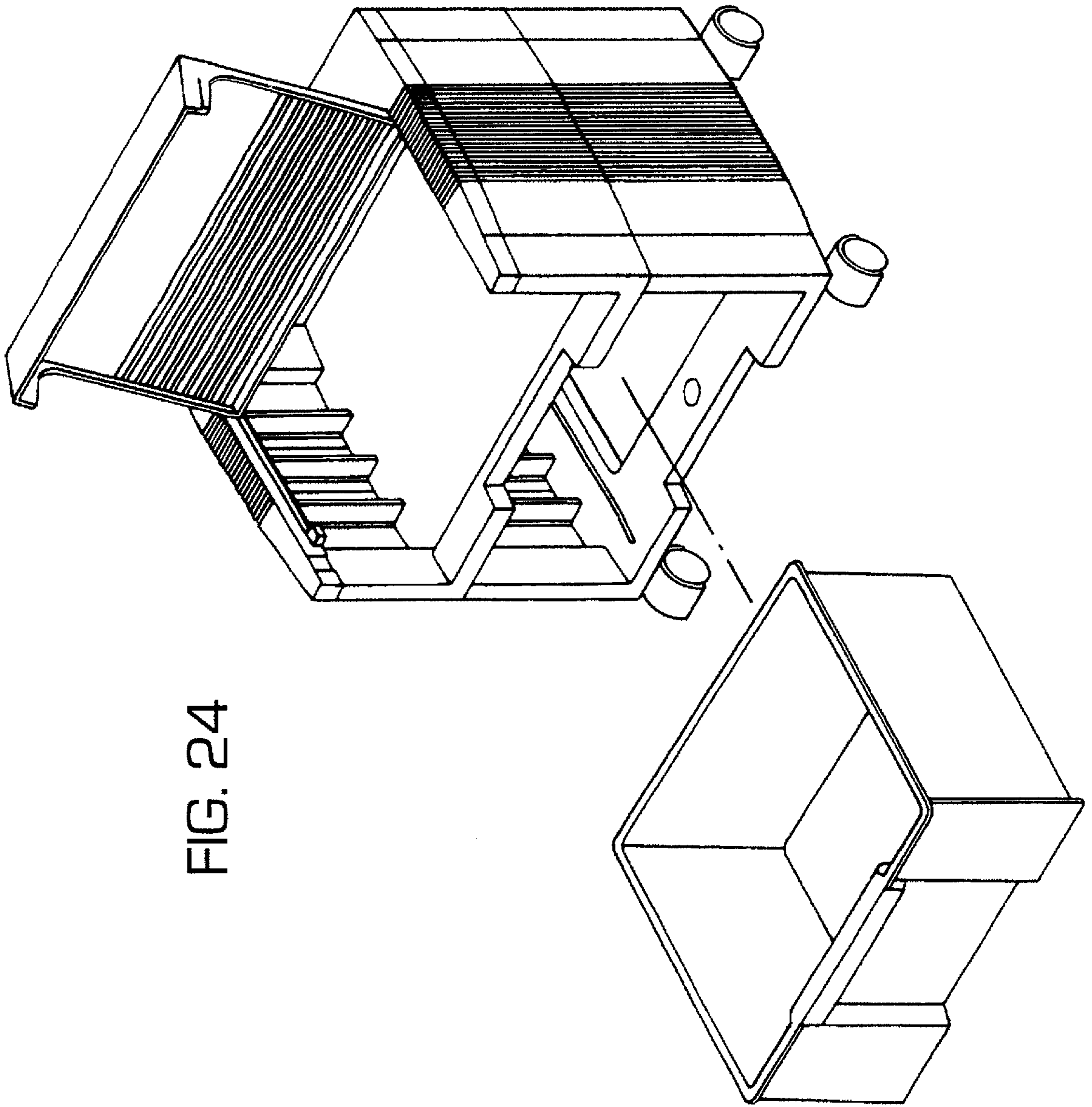


FIG. 24