



US00D444959S

(12) **United States Design Patent**  
**Trazzi**

(10) **Patent No.:** **US D444,959 S**

(45) **Date of Patent:** **\*\* Jul. 17, 2001**

(54) **REAR PANEL OF A COUNTER**

(75) Inventor: **Luca Trazzi**, Milan (IT)

(73) Assignee: **Illycaffè S.p.A.**, Trieste (IT)

(\*\*) Term: **14 Years**

(21) Appl. No.: **29/115,311**

(22) Filed: **Dec. 13, 1999**

(30) **Foreign Application Priority Data**

Sep. 7, 1999 (IT) ..... MI9900513

(51) **LOC (7) Cl.** ..... **06-04**

(52) **U.S. Cl.** ..... **D6/436**

(58) **Field of Search** ..... D6/396, 397, 402,  
D6/432, 436, 445; 312/140.1, 140.2, 140.4,  
204, 237

(56) **References Cited**

**U.S. PATENT DOCUMENTS**

D. 101,689	*	10/1936	Behrel et al.	.....	D6/436
D. 140,538	*	3/1945	Schupp	.....	D6/437
D. 300,887	*	5/1989	Evans	.....	D6/436
D. 417,797	*	12/1999	Zaidman	.....	D6/397
D. 433,841	*	11/2000	Huber et al.	.....	D6/436

\* cited by examiner

*Primary Examiner*—Cathron C. Brooks

(74) *Attorney, Agent, or Firm*—Young & Thompson

(57) **CLAIM**

The ornamental design for a rear panel of a counter, as shown and described.

**DESCRIPTION**

FIG. 1 is a front perspective view of a rear panel of a counter showing my new design;

FIG. 2 is a front elevational view thereof;

FIG. 3 is a front and side perspective view thereof;

FIG. 4 is a side elevational view thereof from the left of FIG. 2 ;

FIG. 5 is a front and side perspective view thereof, from the side opposite that shown in FIG. 3;

FIG. 6 is a side elevational view thereof from the right of FIG. 2;

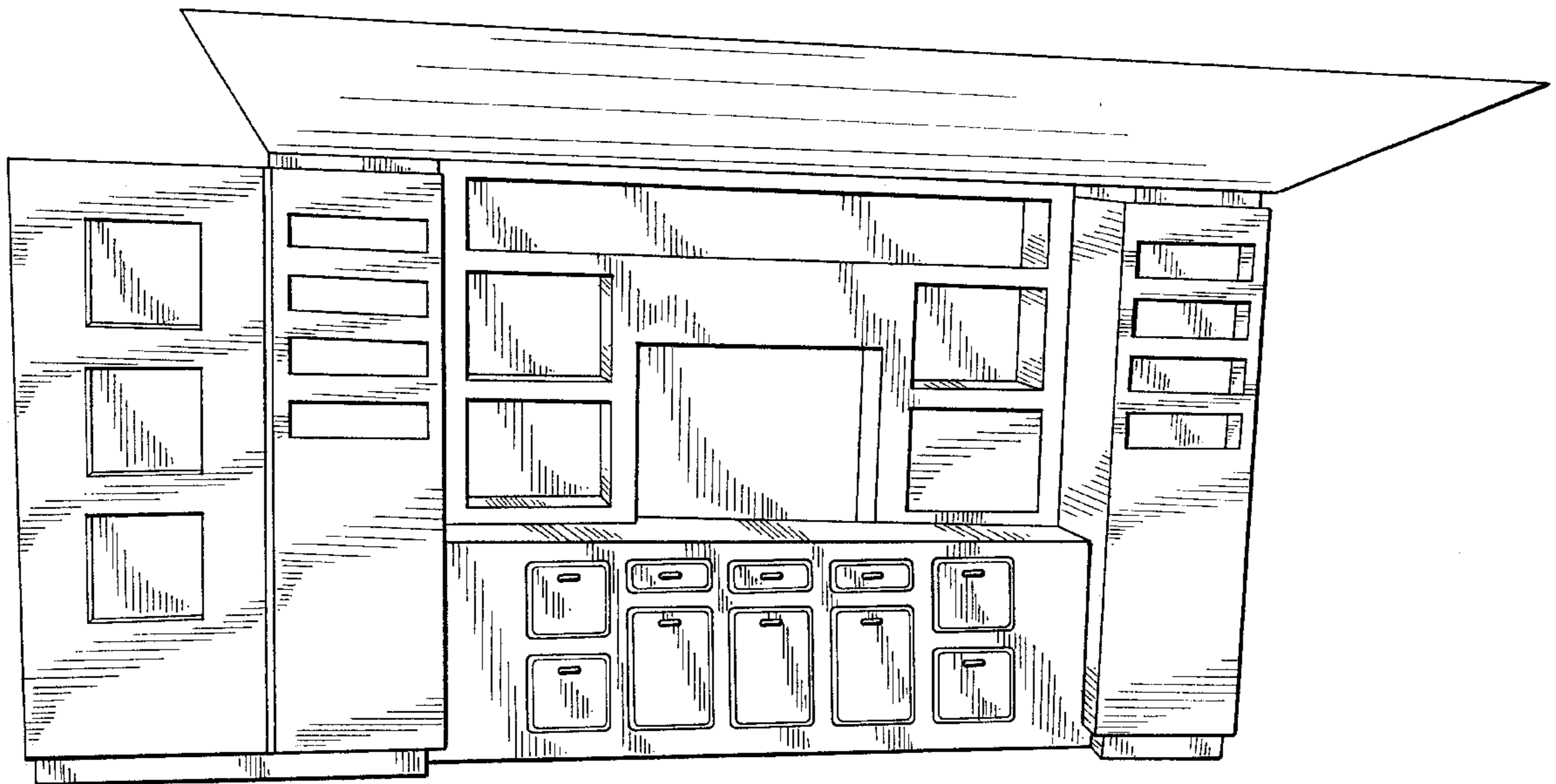
FIG. 7 is a top, rear and side perspective view thereof;

FIG. 8 is a rear elevational view thereof;

FIG. 9 is a top and rear perspective view thereof; and,

FIG. 10 is a top plan view thereof.

**1 Claim, 10 Drawing Sheets**



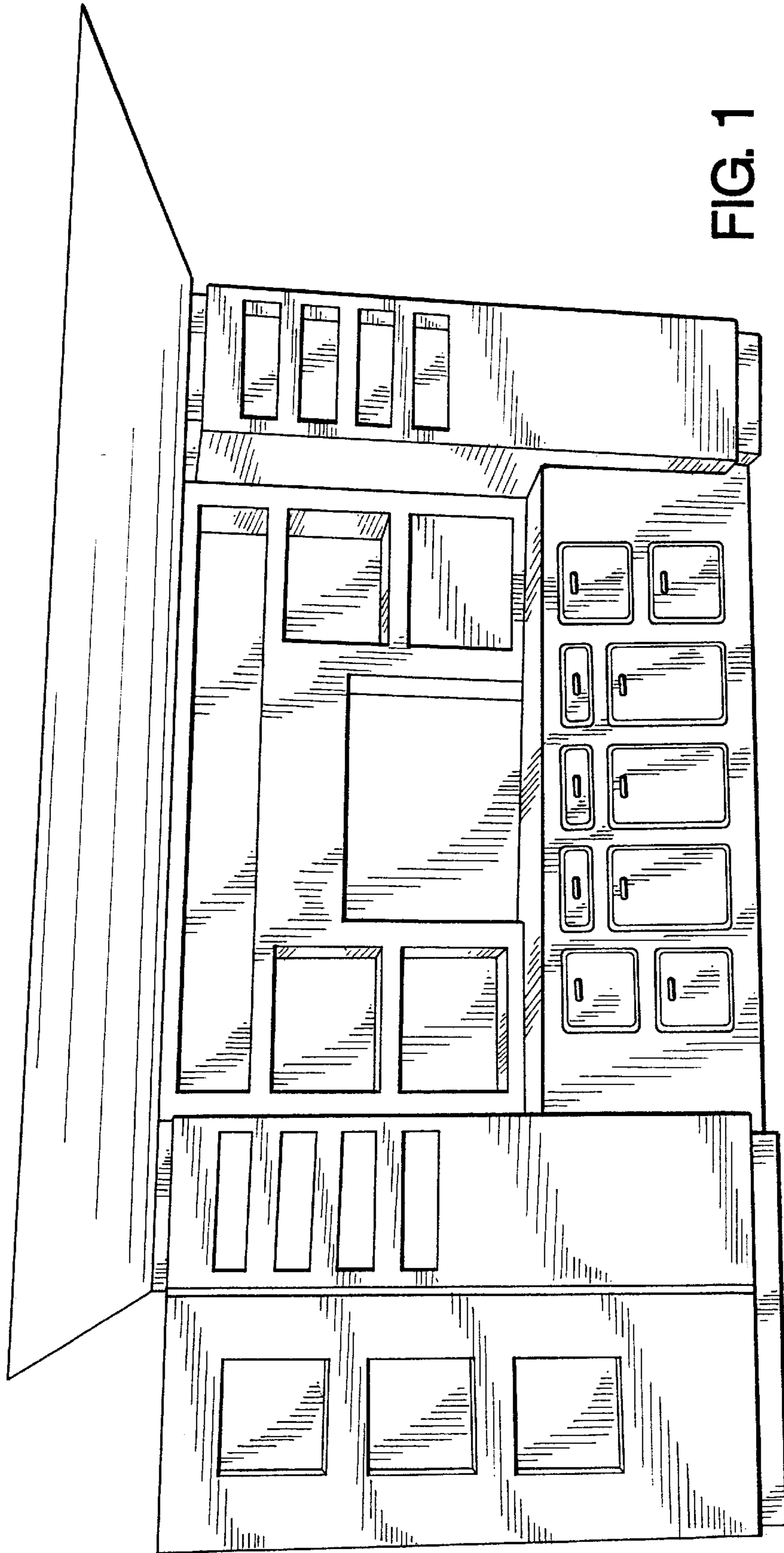


FIG. 1

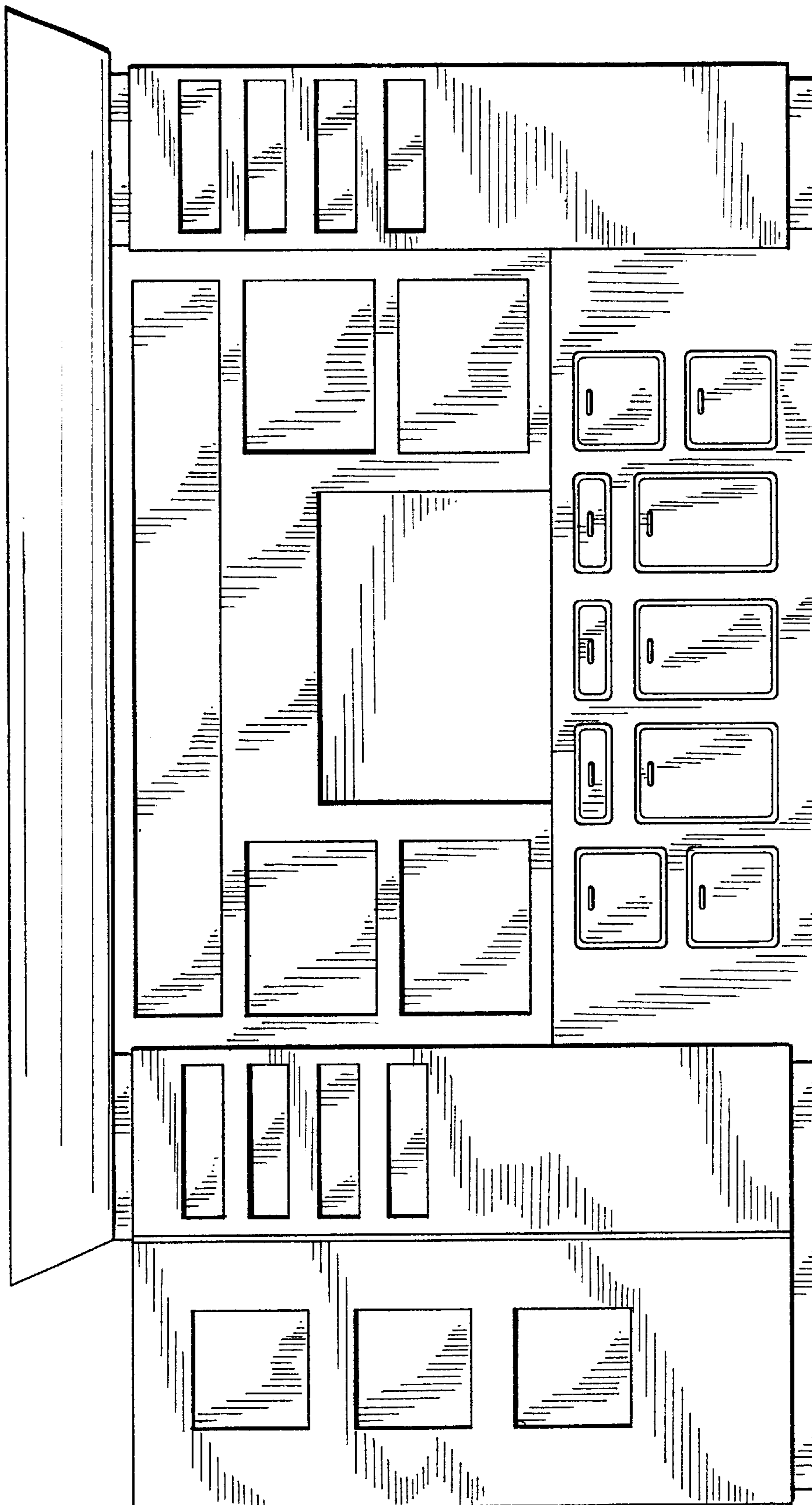


FIG. 2

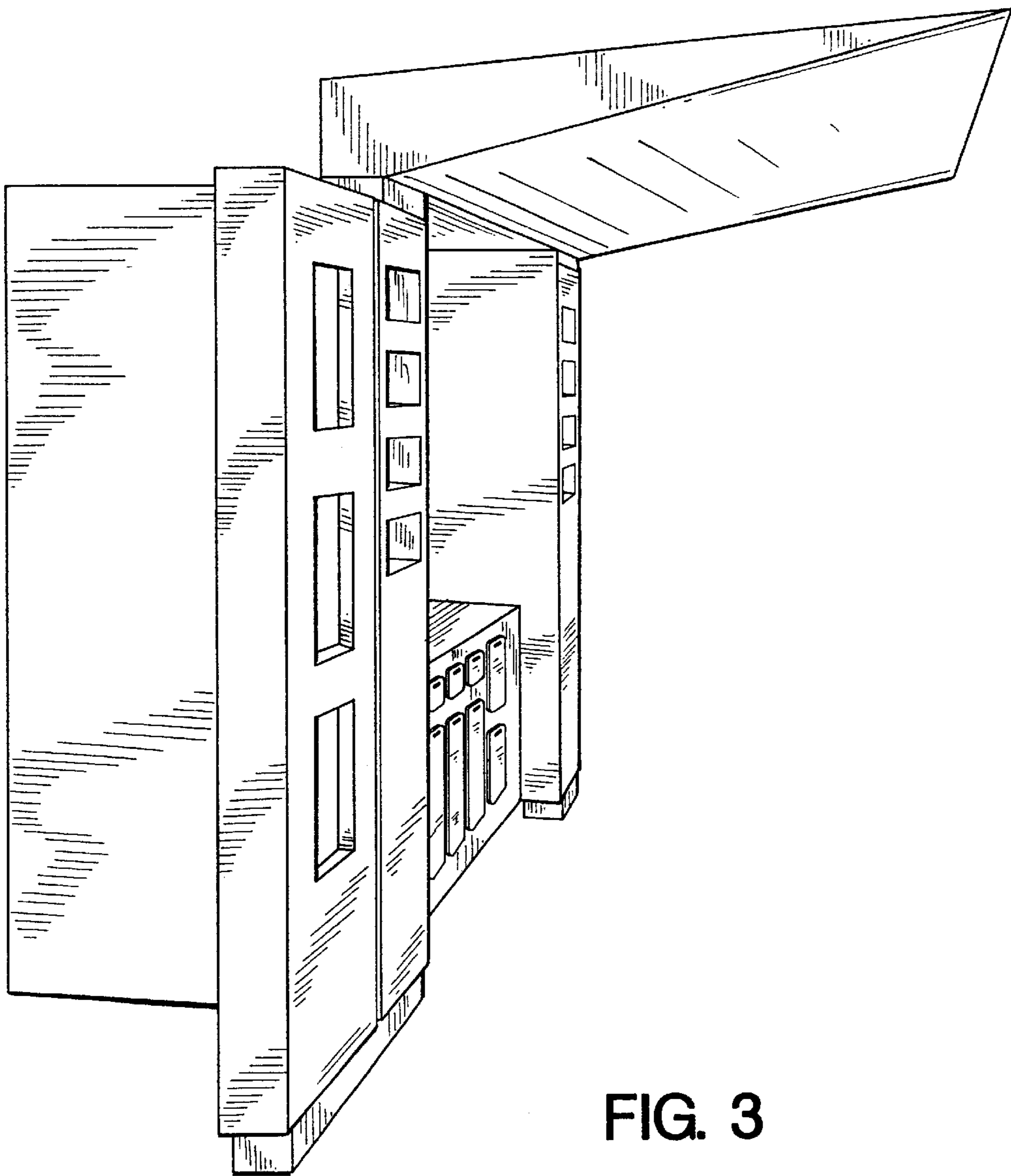


FIG. 3

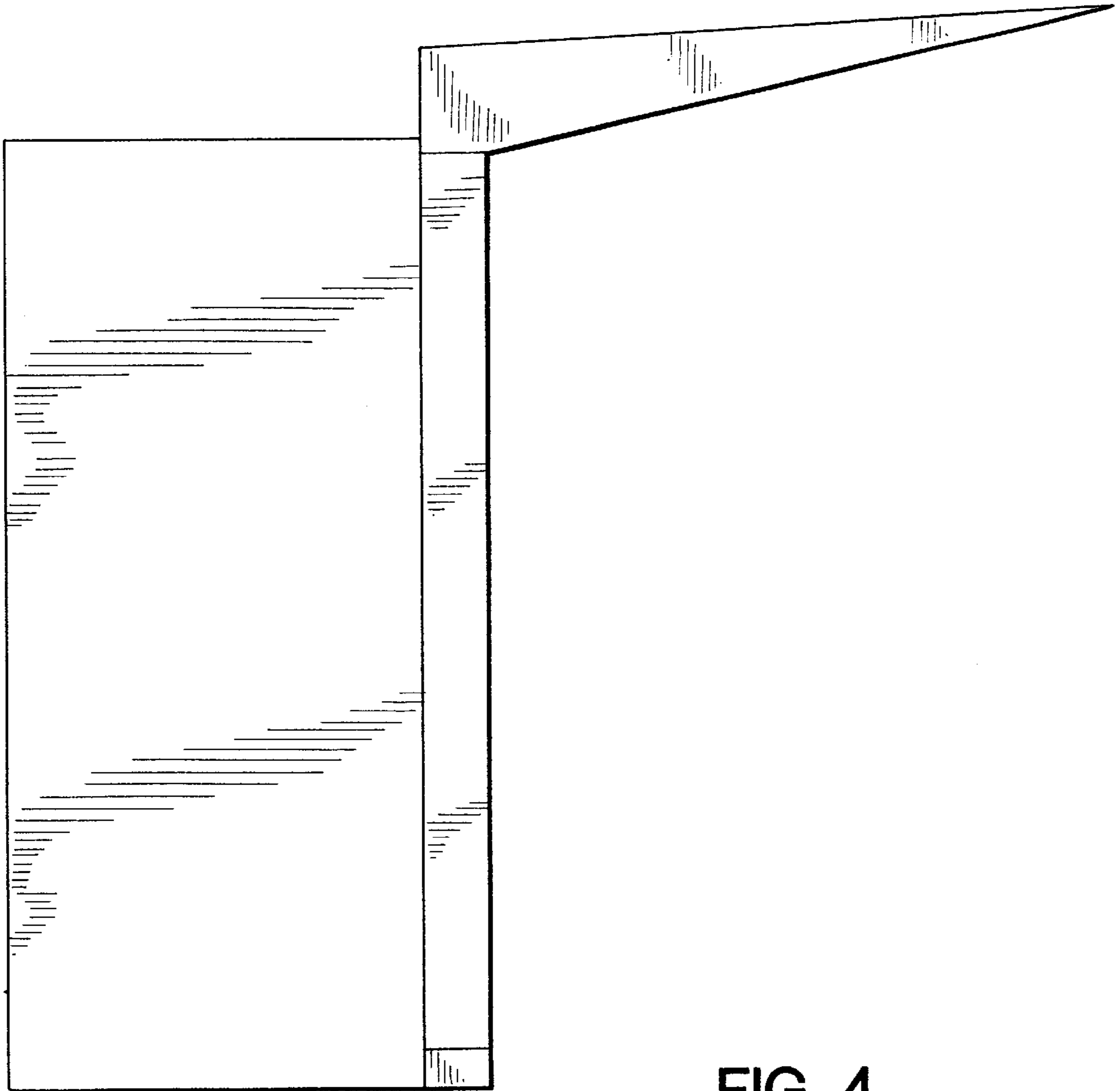


FIG. 4

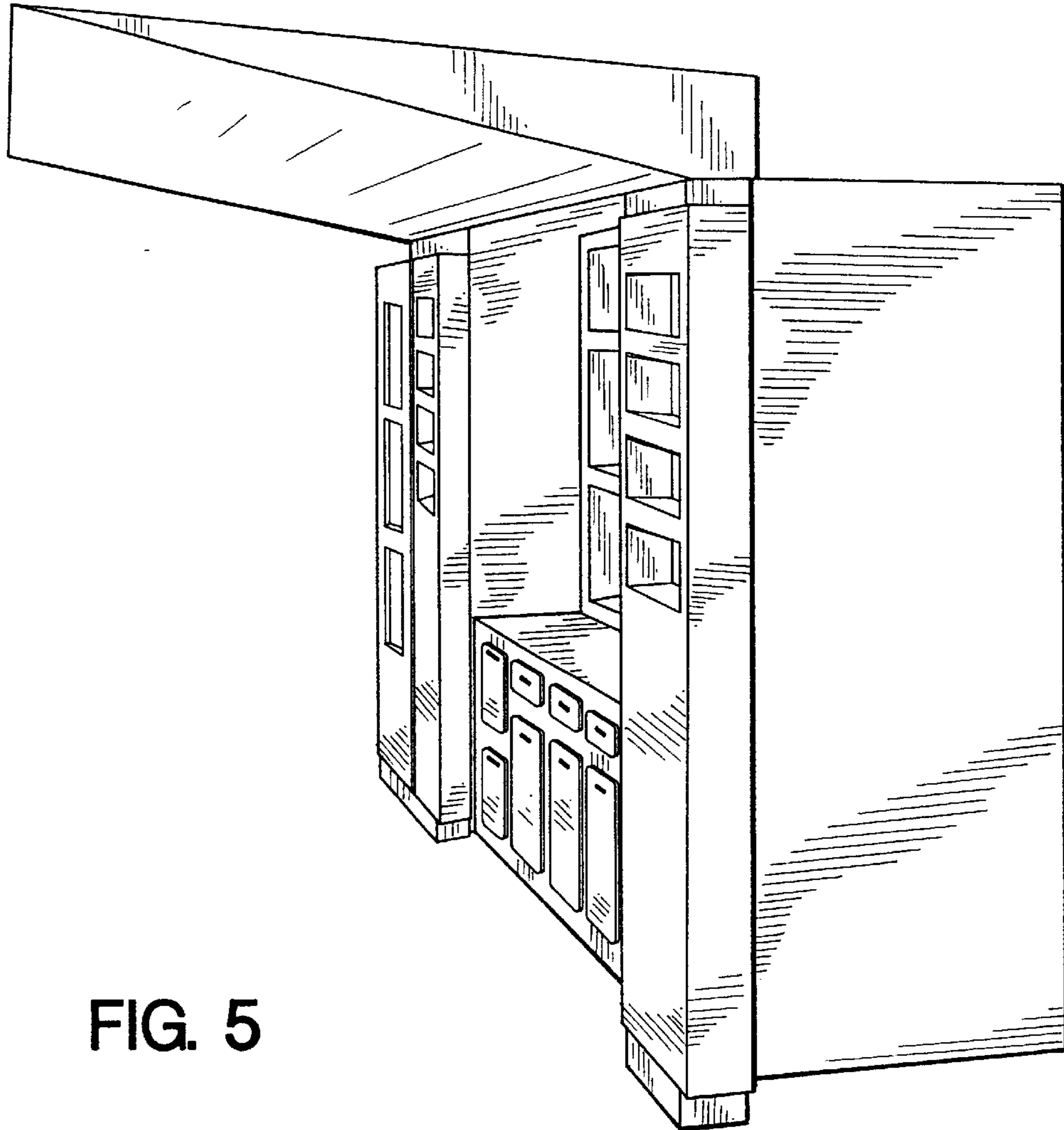


FIG. 5

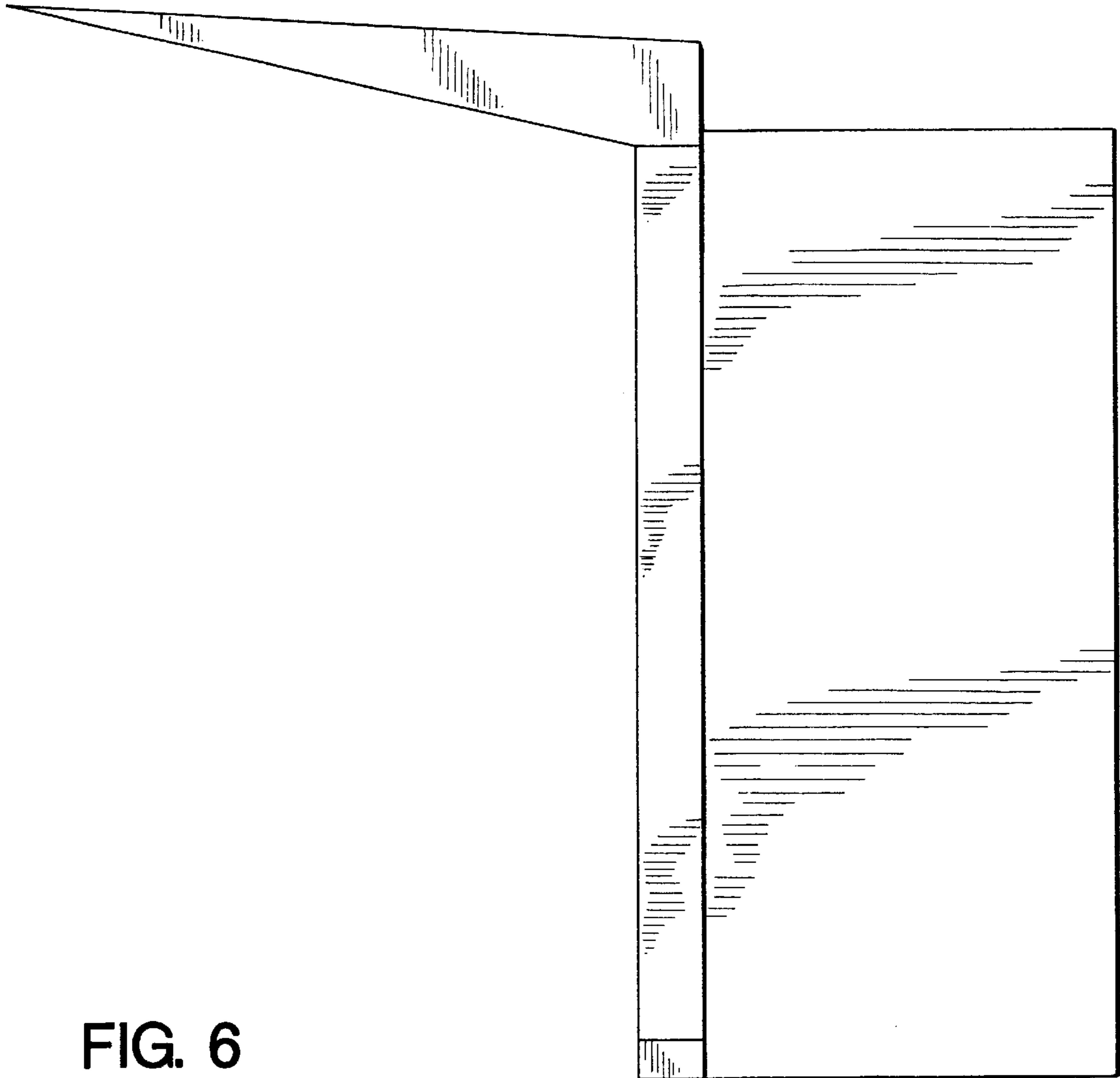


FIG. 6

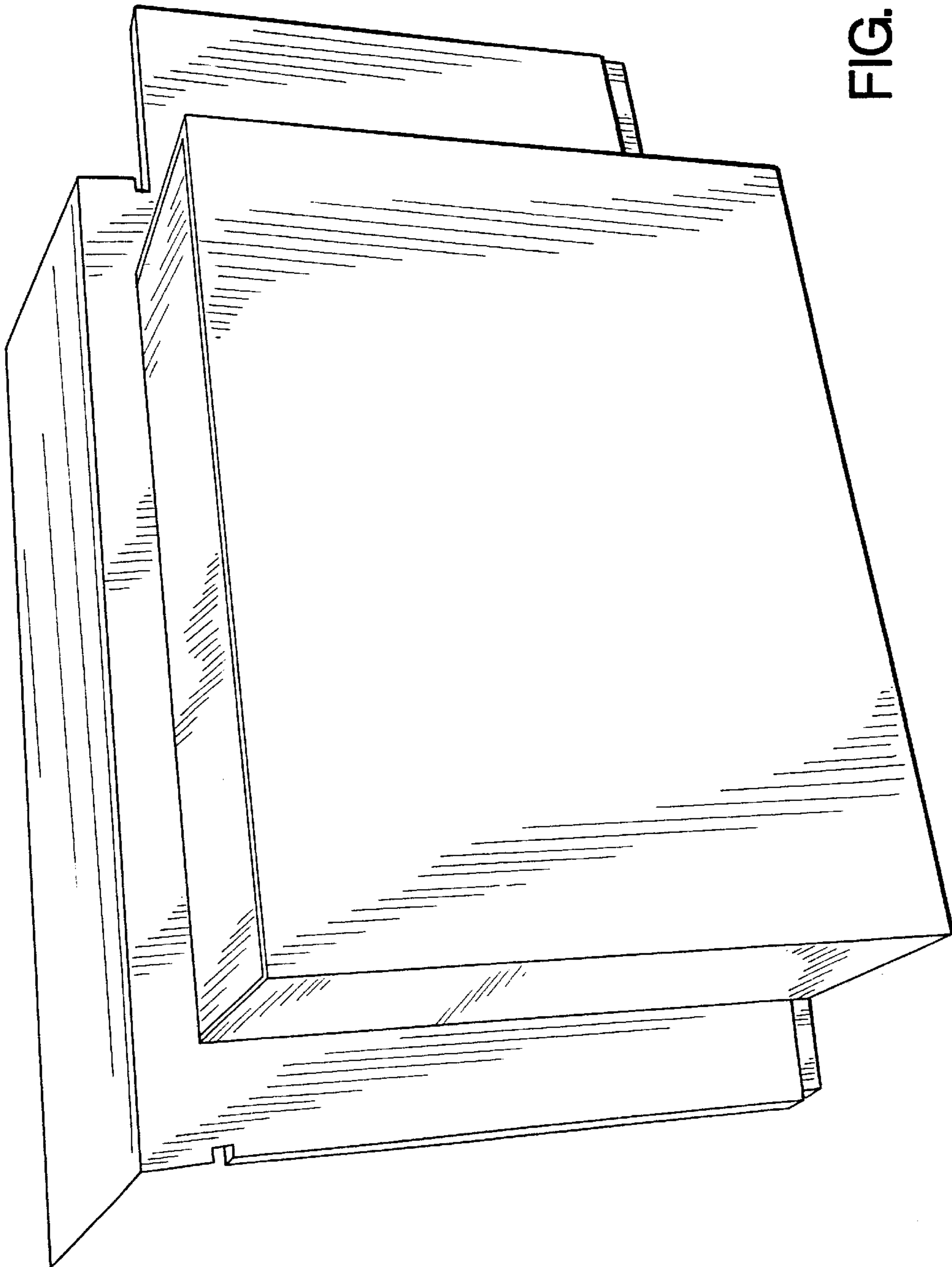


FIG. 7



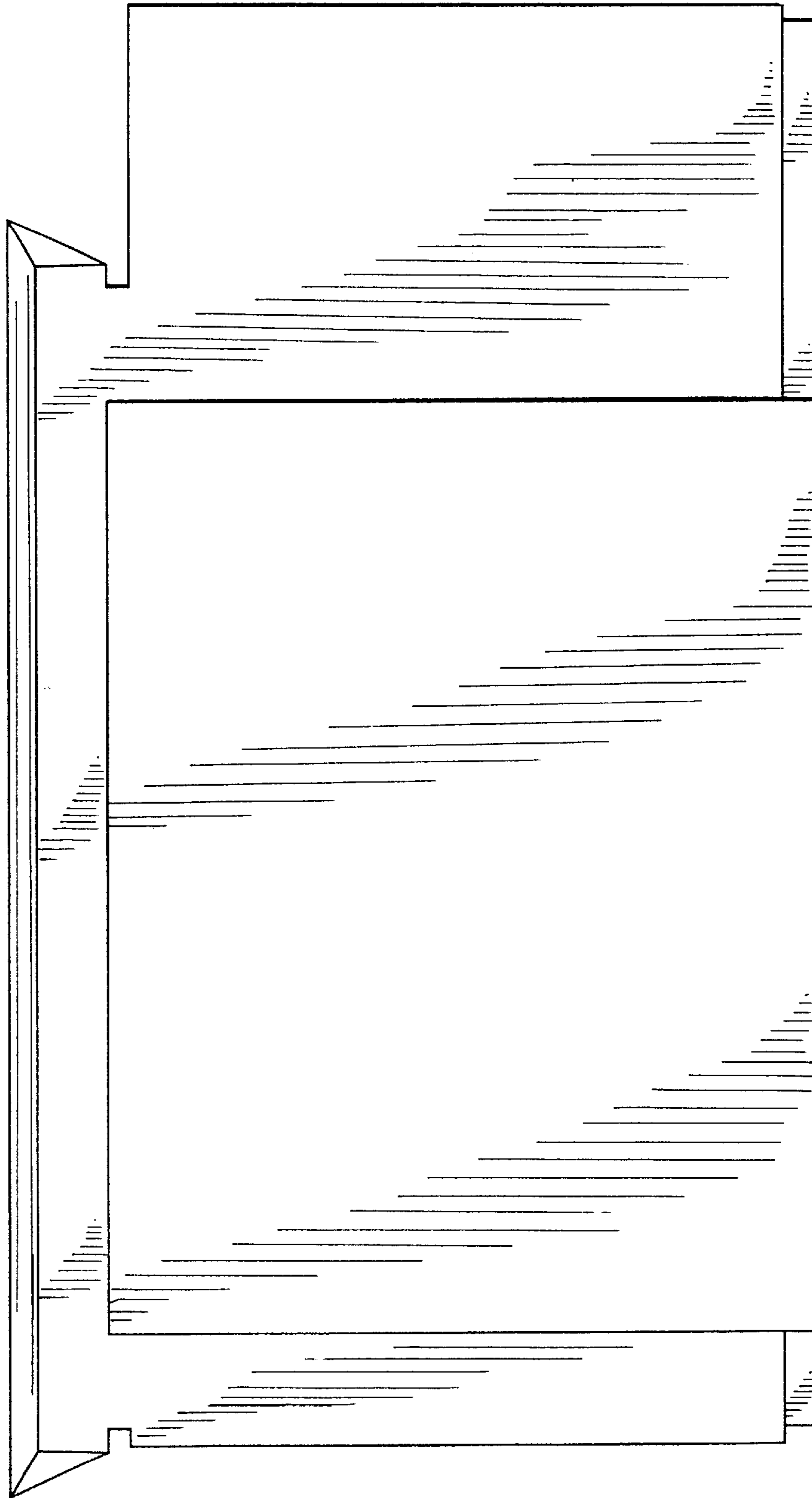


FIG. 8

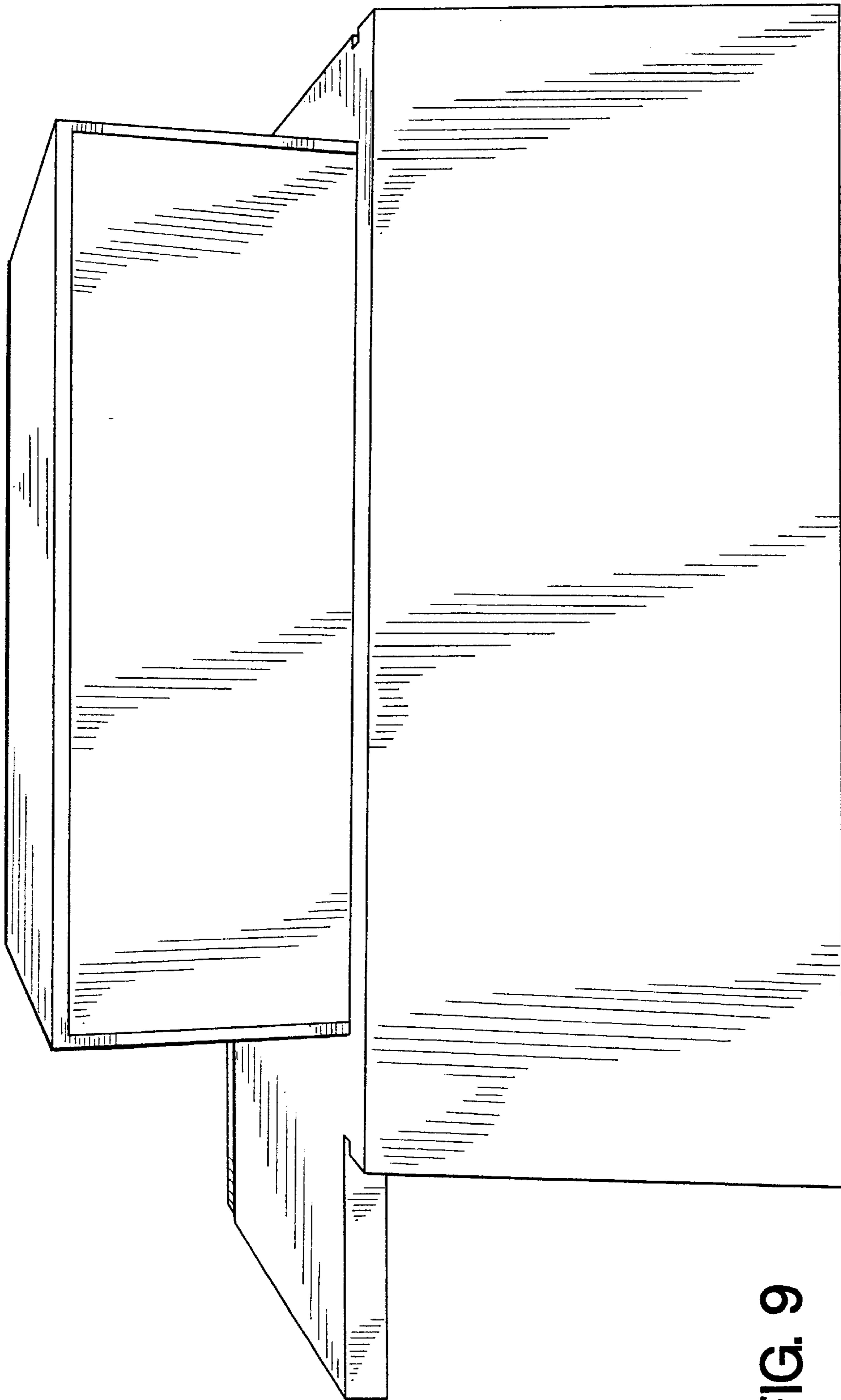


FIG. 9

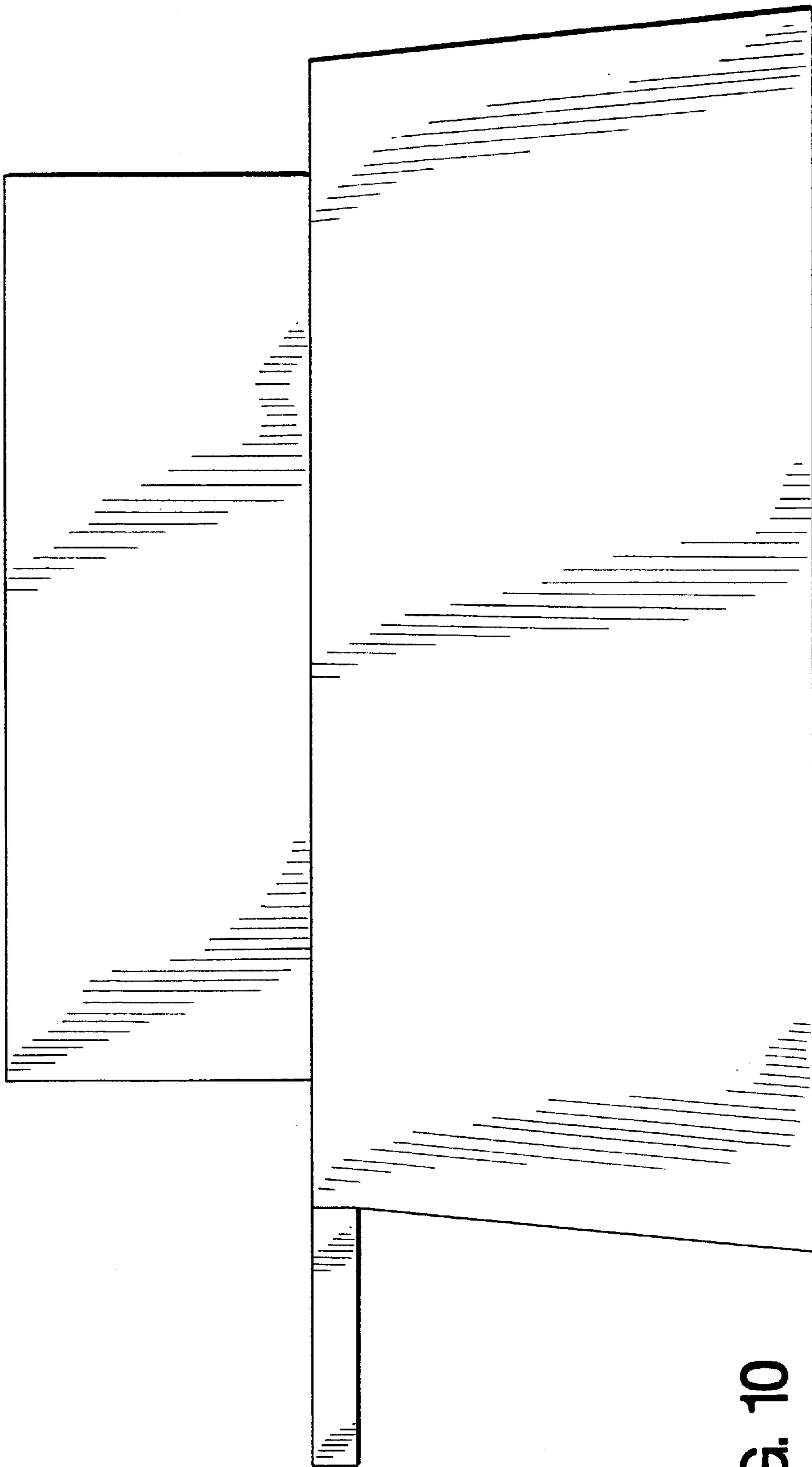


FIG. 10