



US00D444957S

(12) **United States Design Patent**
Kagan

(10) **Patent No.:** **US D444,957 S**

(45) **Date of Patent:** **** Jul. 17, 2001**

(54) **SEAT**

(76) **Inventor:** **Vladimir I. Kagan**, 1185 Park Ave.,
New York, NY (US) 10128

(**) **Term:** **14 Years**

(21) **Appl. No.:** **29/111,606**

(22) **Filed:** **Sep. 30, 1999**

(51) **LOC (7) Cl.** **06-01**

(52) **U.S. Cl.** **D6/377; D6/381**

(58) **Field of Search** **D6/334, 335, 364,**
D6/377, 381, 500, 501, 502; 297/232, 445.1

(56) **References Cited**

U.S. PATENT DOCUMENTS

D. 174,584	*	4/1955	Michlin	D6/377
D. 314,473	*	2/1991	Culler	D6/381 X
D. 330,811	*	11/1992	Genova et al.	D6/381
D. 367,183	*	2/1996	Natuzzi et al.	D6/381 X
D. 374,124	*	10/1996	Natuzzi et al.	D6/381 X
D. 374,993	*	10/1996	Emoto	D6/334 X
D. 388,630	*	1/1998	Lowman et al.	D6/381
D. 390,021	*	2/1998	Smith	D6/377 X
D. 403,172	*	12/1998	Gibson	D6/377
D. 405,274	*	2/1999	Smith	D6/334
D. 412,790	*	8/1999	Dhing	D6/377 X
D. 418,987	*	1/2000	Panton	D6/377 X

OTHER PUBLICATIONS

Furniture Today, p. 216, sofa at top left by Jackson of
Danville Originals, Oct. 21, 1996.*
Free-Form Curved Sofa (150BC)—1949.

Free-Form Serpentine Sofa (150BS)—1949.
4890 KR Kidney Sofa—approximately 1992.

* cited by examiner

Primary Examiner—Gary D. Watson
(74) *Attorney, Agent, or Firm*—Rhodes & Mason PLLC

(57) **CLAIM**

The ornamental design for a seat, as shown and described.

DESCRIPTION

FIG. 1 is a left front perspective view of a seat showing my
new design;

FIG. 2 is a right front perspective view thereof;

FIG. 3 is a left rear perspective thereof;

FIG. 4 is a right rear perspective view thereof;

FIG. 5 is front elevational view thereof;

FIG. 6 is a rear elevational view thereof;

FIG. 7 is a left side elevational view thereof;

FIG. 8 is a right side elevational view thereof;

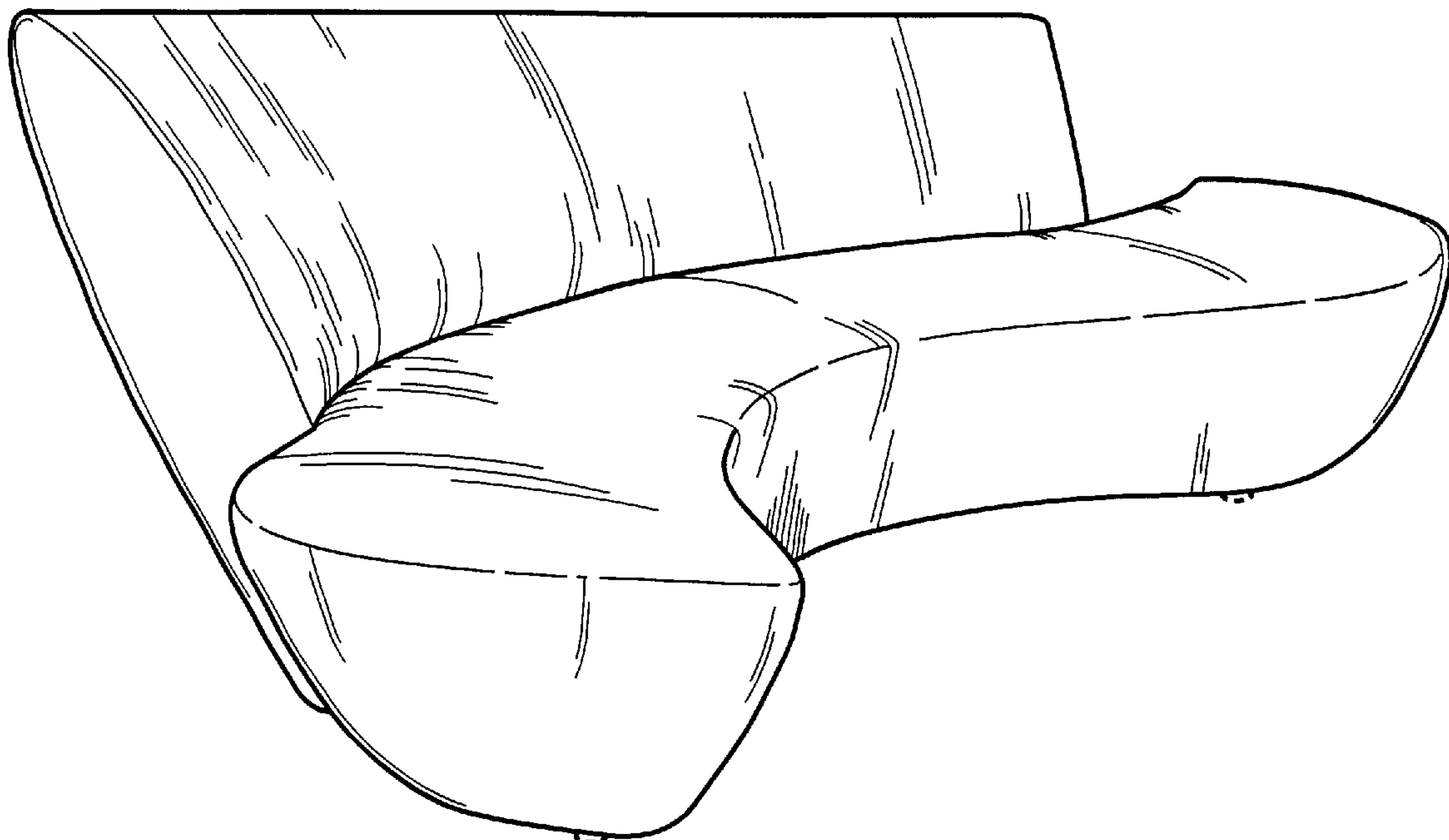
FIG. 9 is a top view thereof;

FIG. 10 is a left front perspective view of a second embodi-
ment of the seat; and,

FIG. 11 is a top view thereof.

The dashed lines representing the feet are for illustrative
purposes only and form no part of this claimed design.

1 Claim, 6 Drawing Sheets



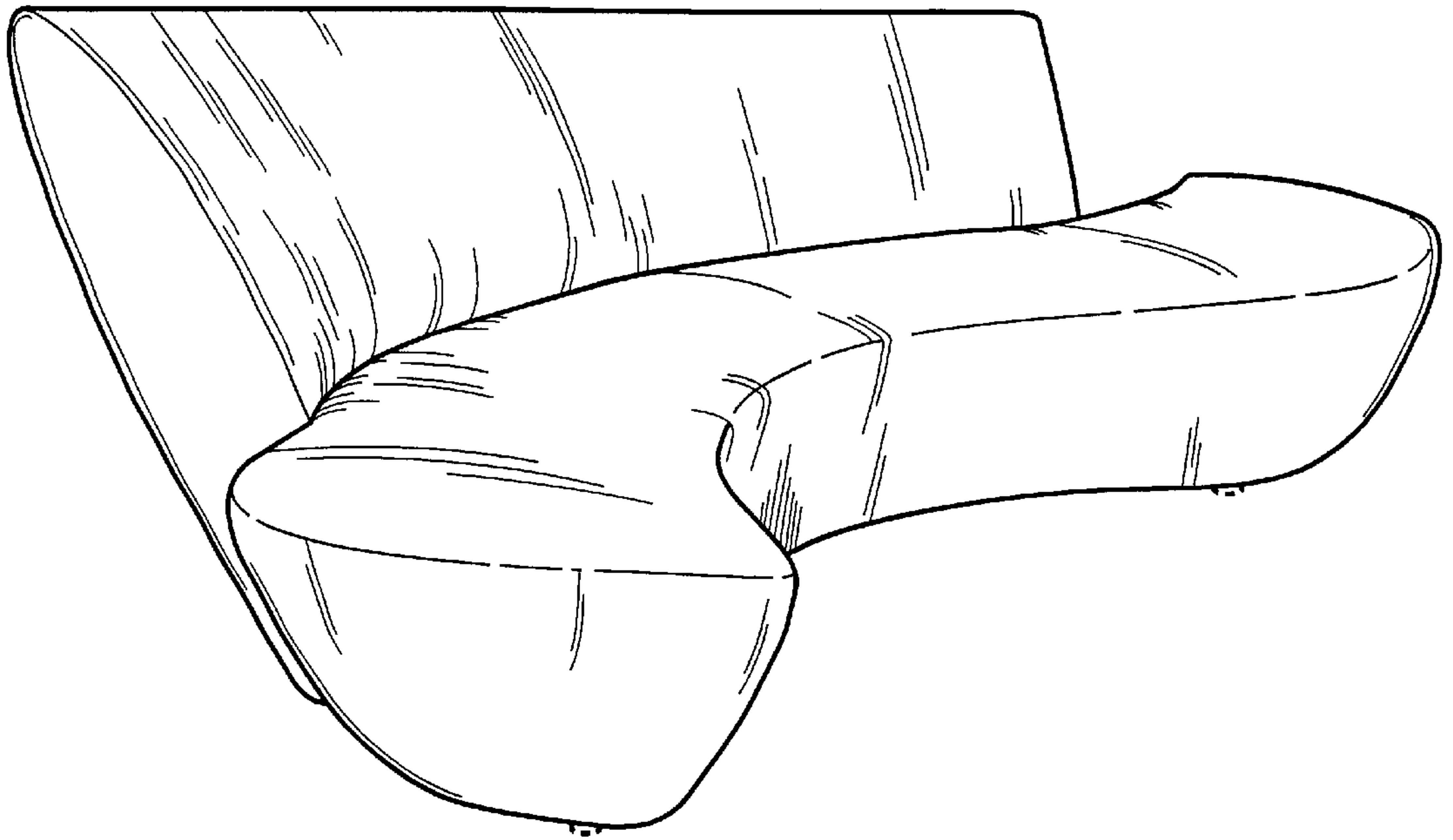


FIG. 1

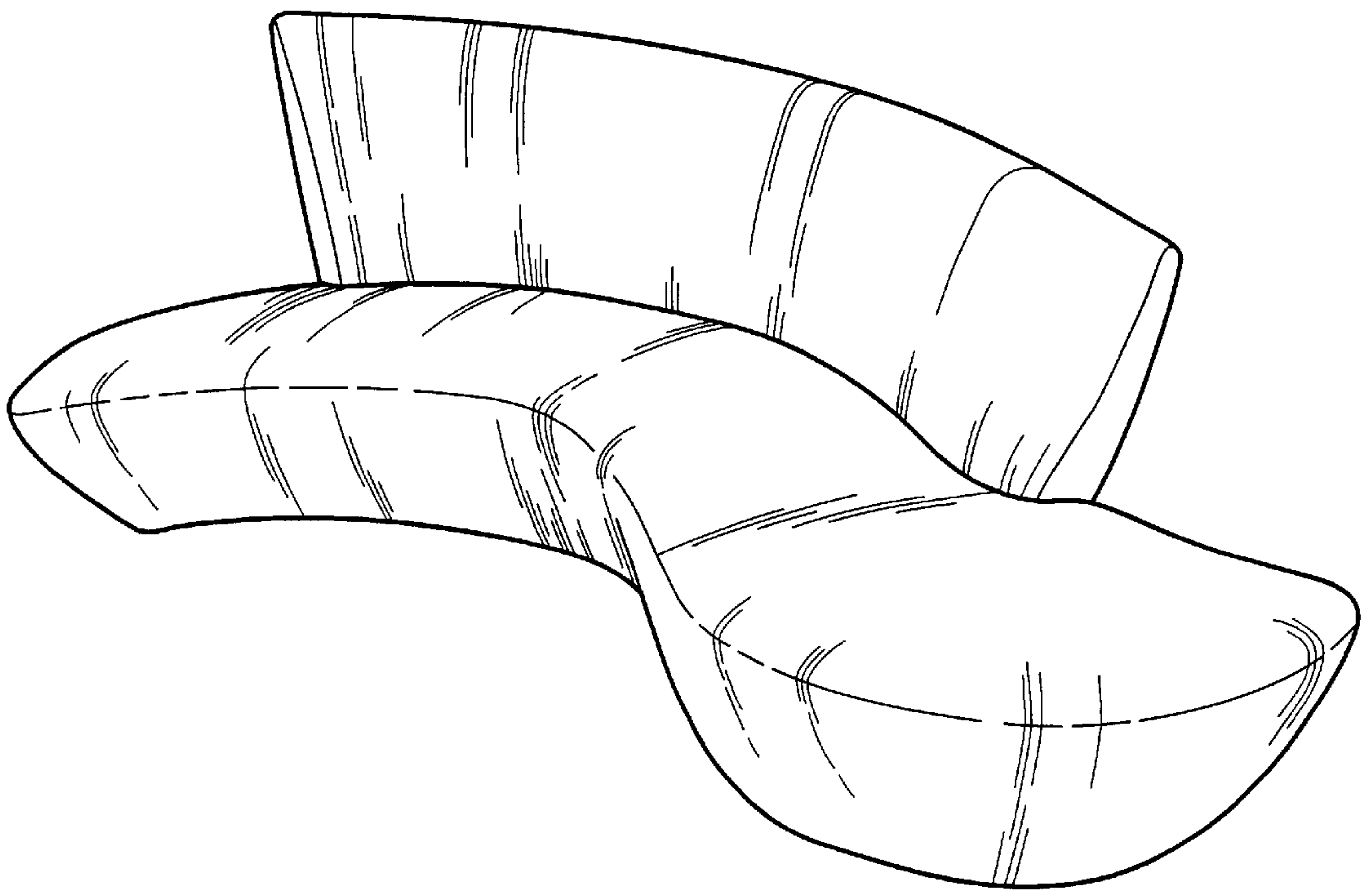


FIG. 2

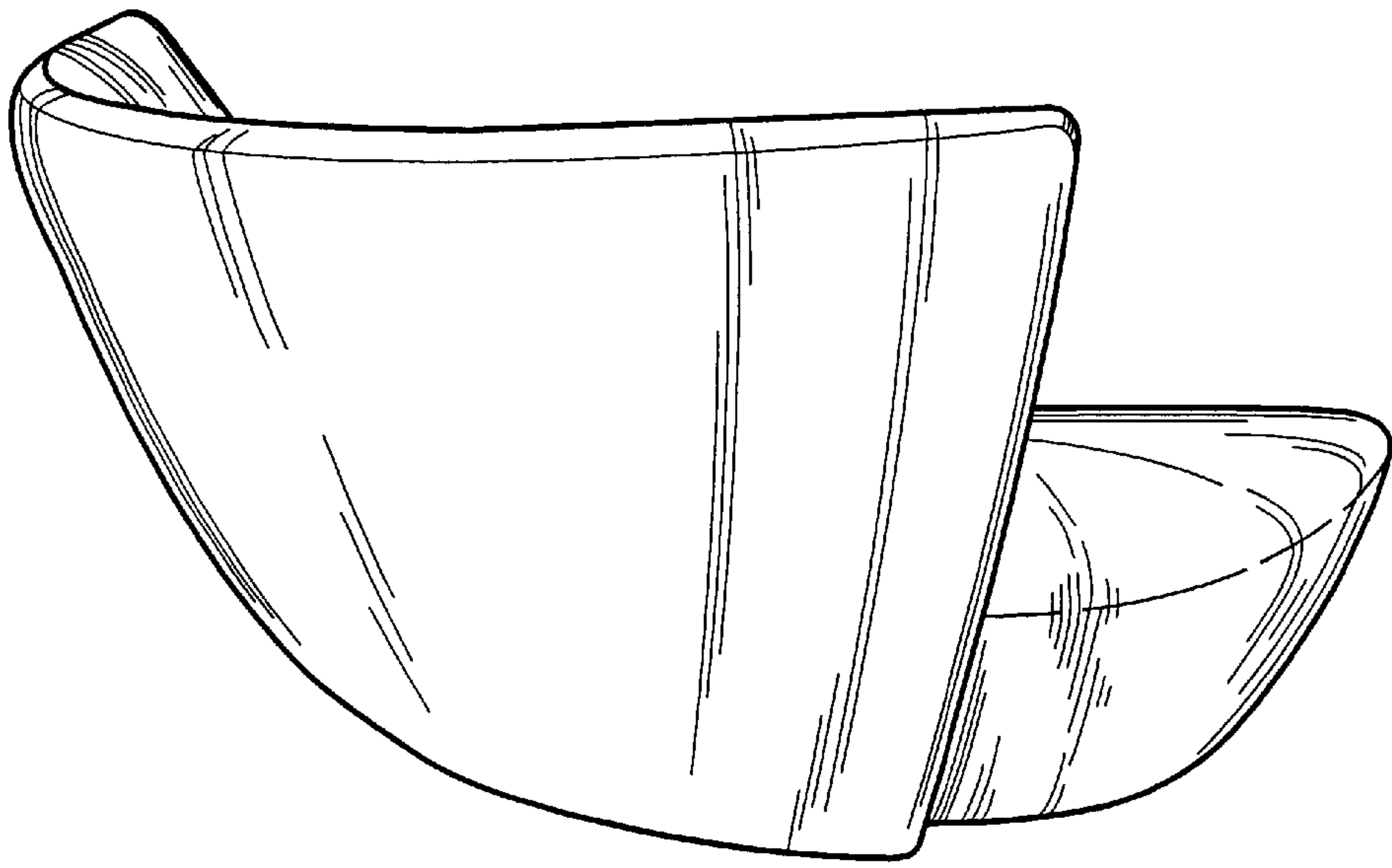


FIG. 3

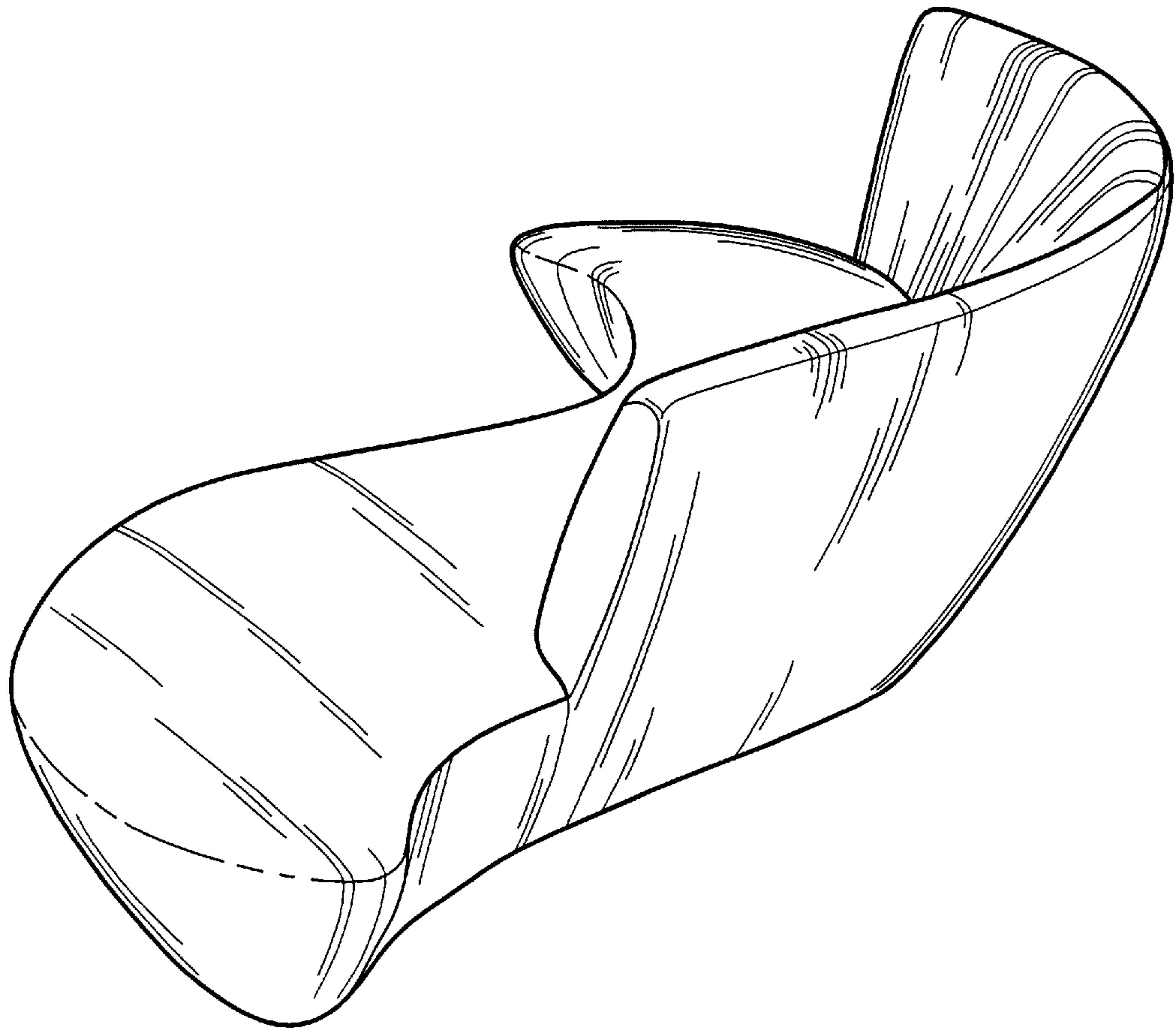


FIG. 4

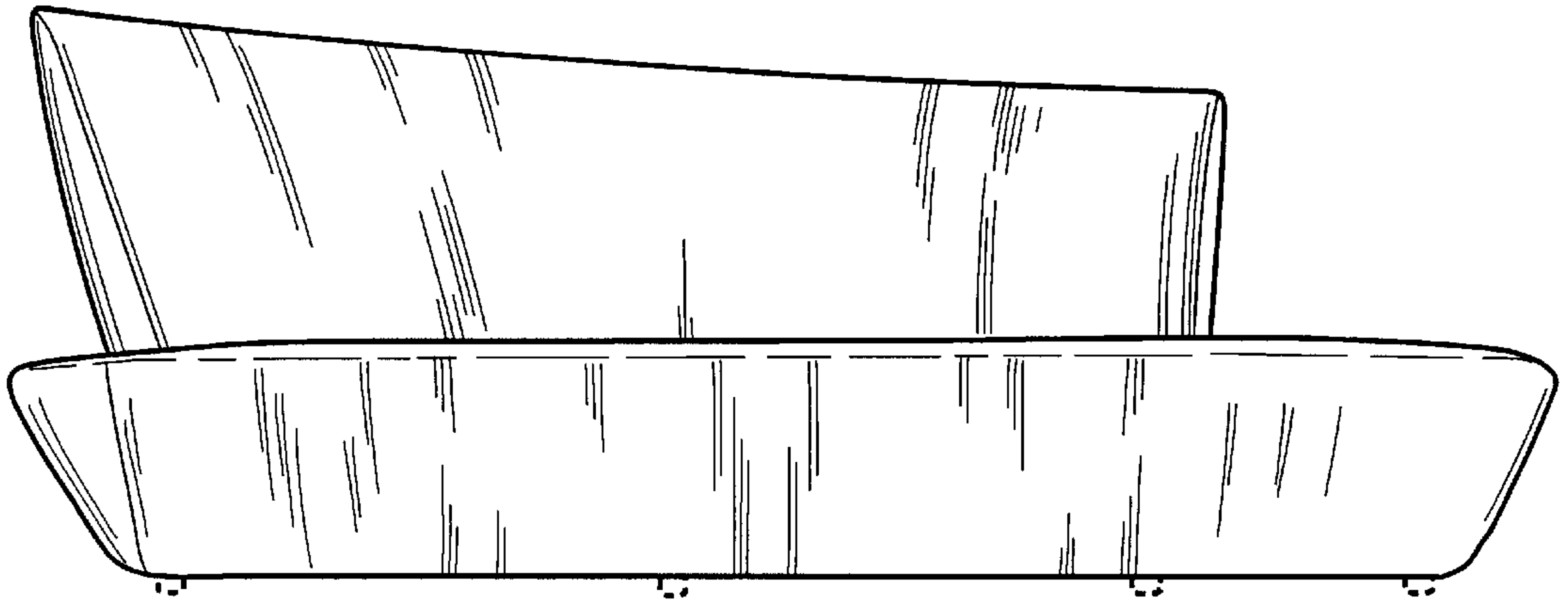


FIG. 5

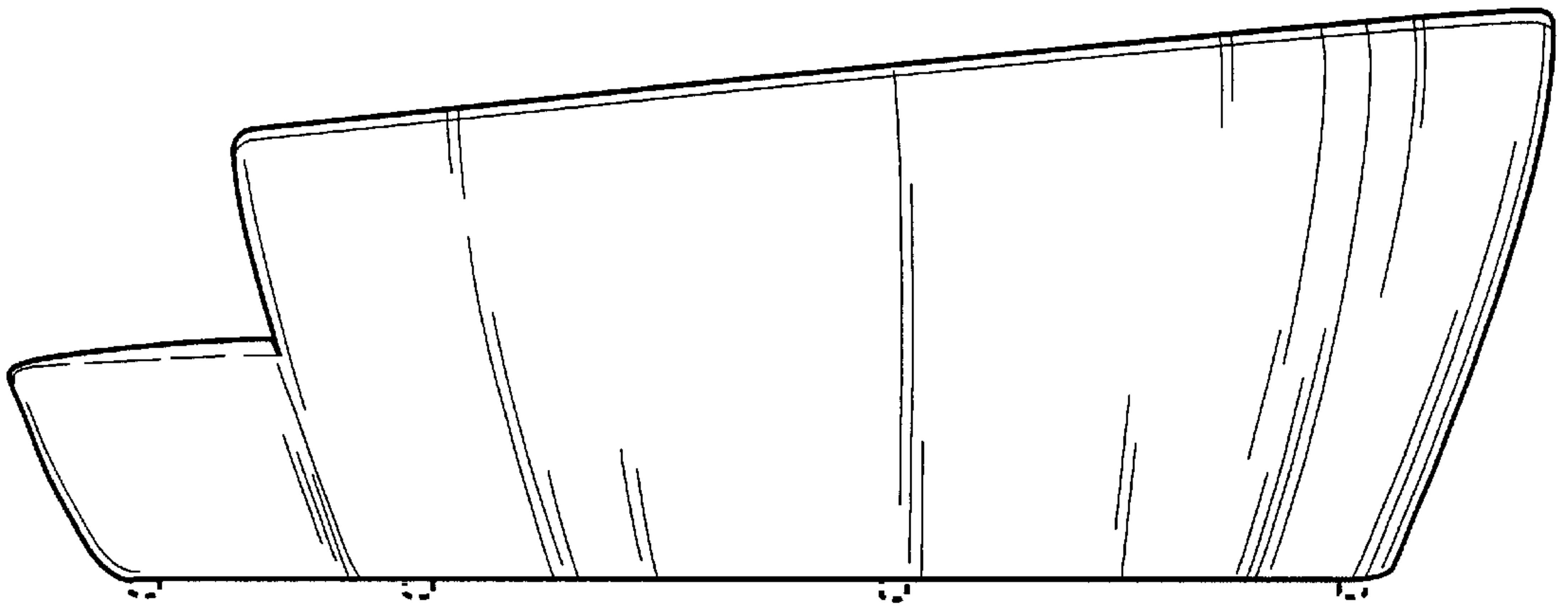


FIG. 6

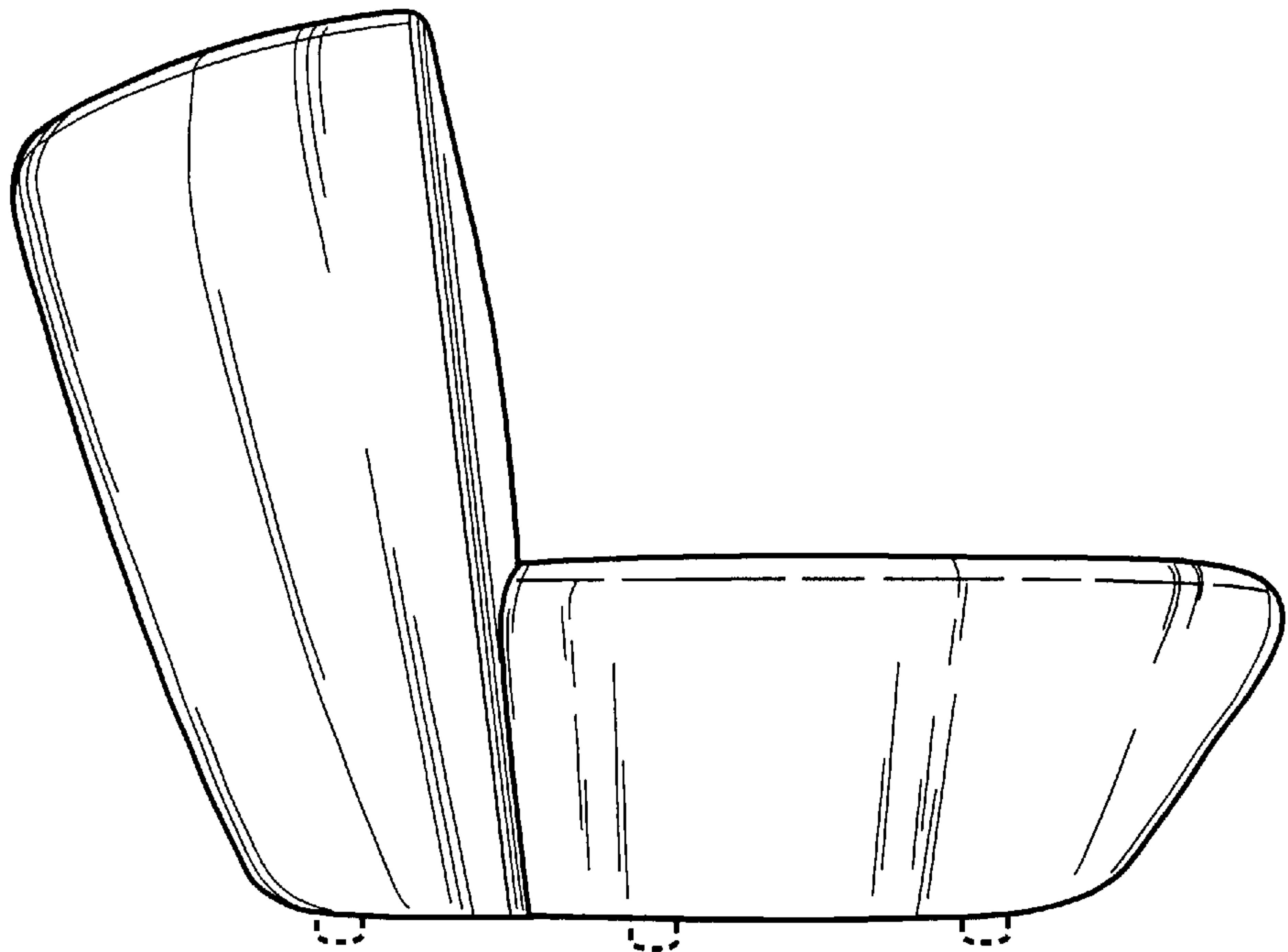


FIG. 7

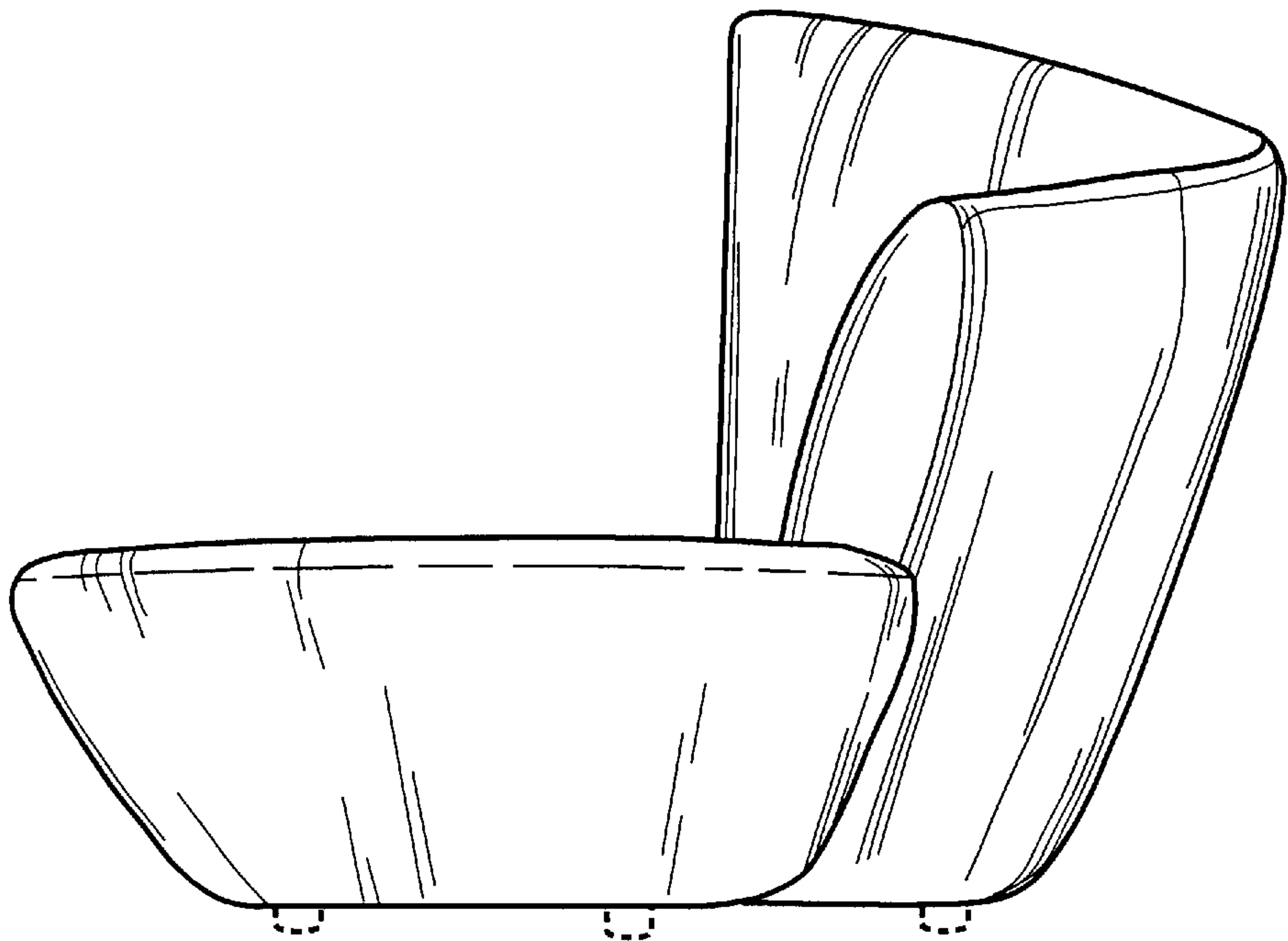


FIG. 8

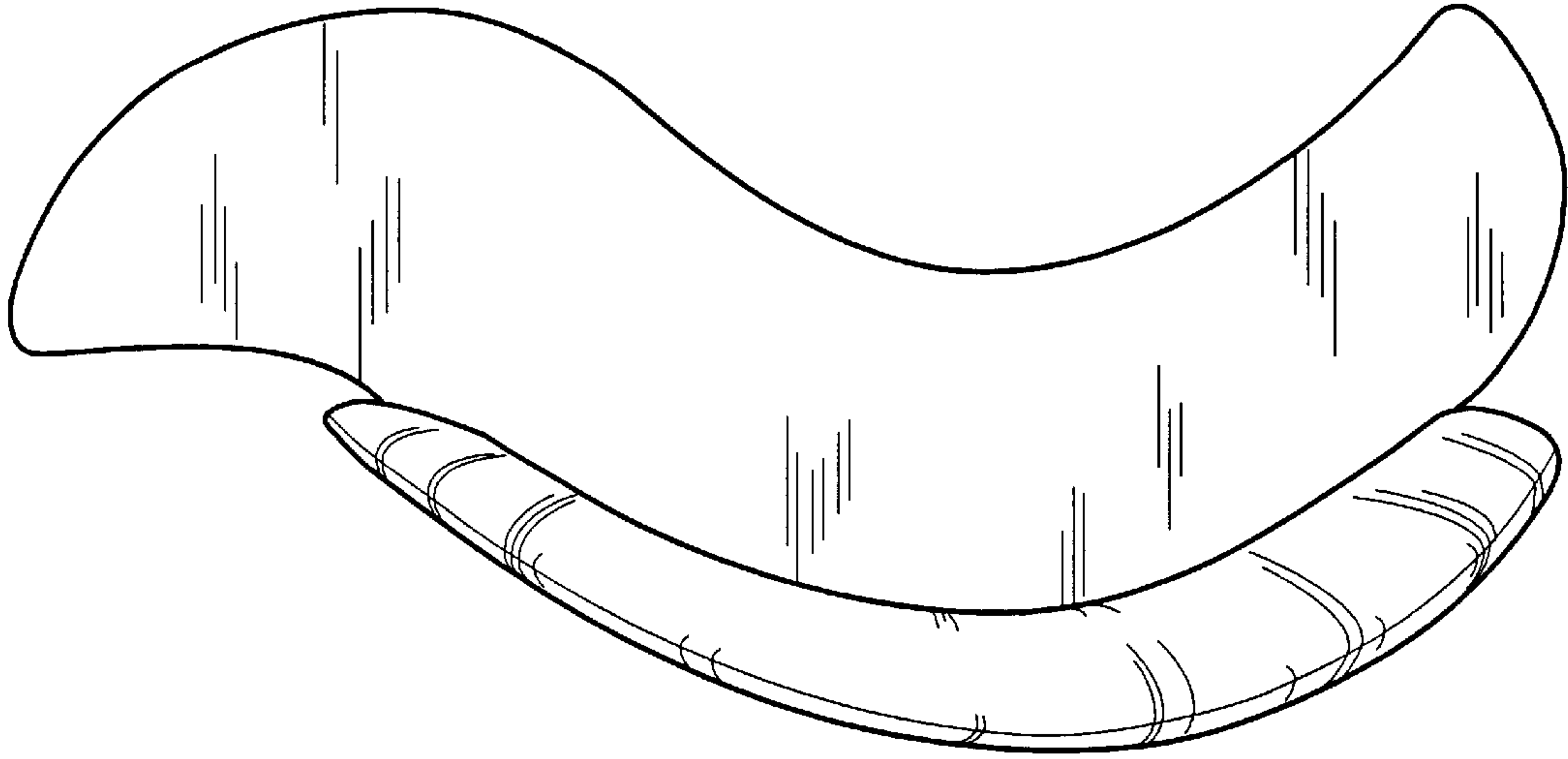


FIG. 9

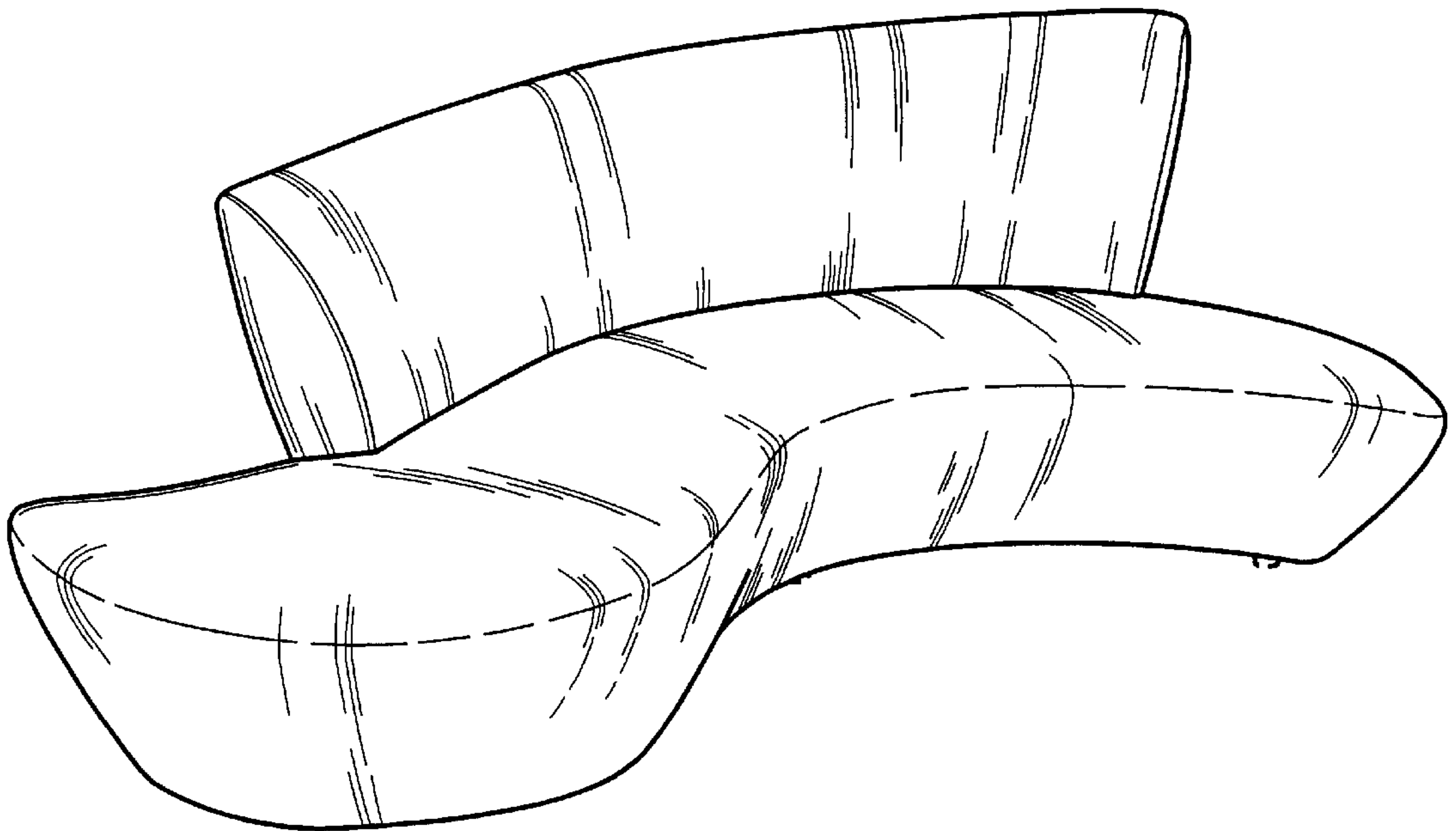


FIG. 10

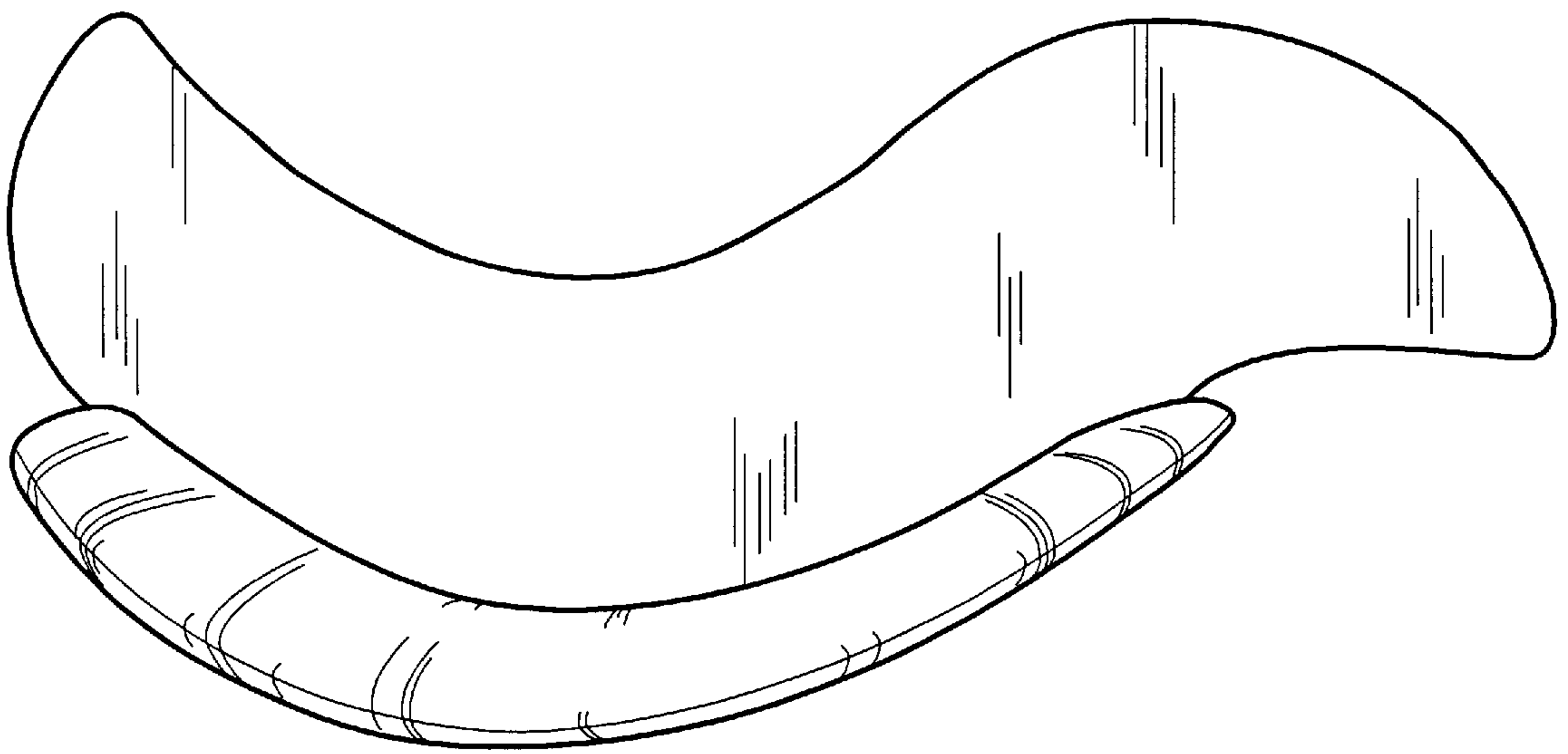


FIG. 11