



US00D444954S

(12) **United States Design Patent**  
**Umberger**

(10) **Patent No.:** **US D444,954 S**

(45) **Date of Patent:** **\*\* Jul. 17, 2001**

(54) **BELT RACK**

(76) Inventor: **Stuart W. Umberger**, 3248 Lithia  
Pinecrest Rd., Suite 104, Valrico, FL  
(US) 33594

(\*\*) Term: **14 Years**

(21) Appl. No.: **29/100,829**

(22) Filed: **Mar. 23, 1998**

4,629,073 12/1986 Belden .  
4,834,248 5/1989 Lee .  
5,222,638 6/1993 Kolton et al. .  
5,487,473 1/1996 Ford .

*Primary Examiner*—B. J. Bullock

(74) *Attorney, Agent, or Firm*—Frijouf, Rust & Pyle P.A.

(57) **CLAIM**

The ornamental design for a belt rack, as shown and described.

**Related U.S. Application Data**

(62) Division of application No. 29/068,981, filed on Apr. 24, 1997, now Pat. No. Des. 398,160.

(51) **LOC (7) Cl.** ..... **06-08**

(52) **U.S. Cl.** ..... **D6/320**

(58) **Field of Search** ..... D6/320, 553; 211/60.1,  
211/87.01, 96, 85.3

(56) **References Cited**

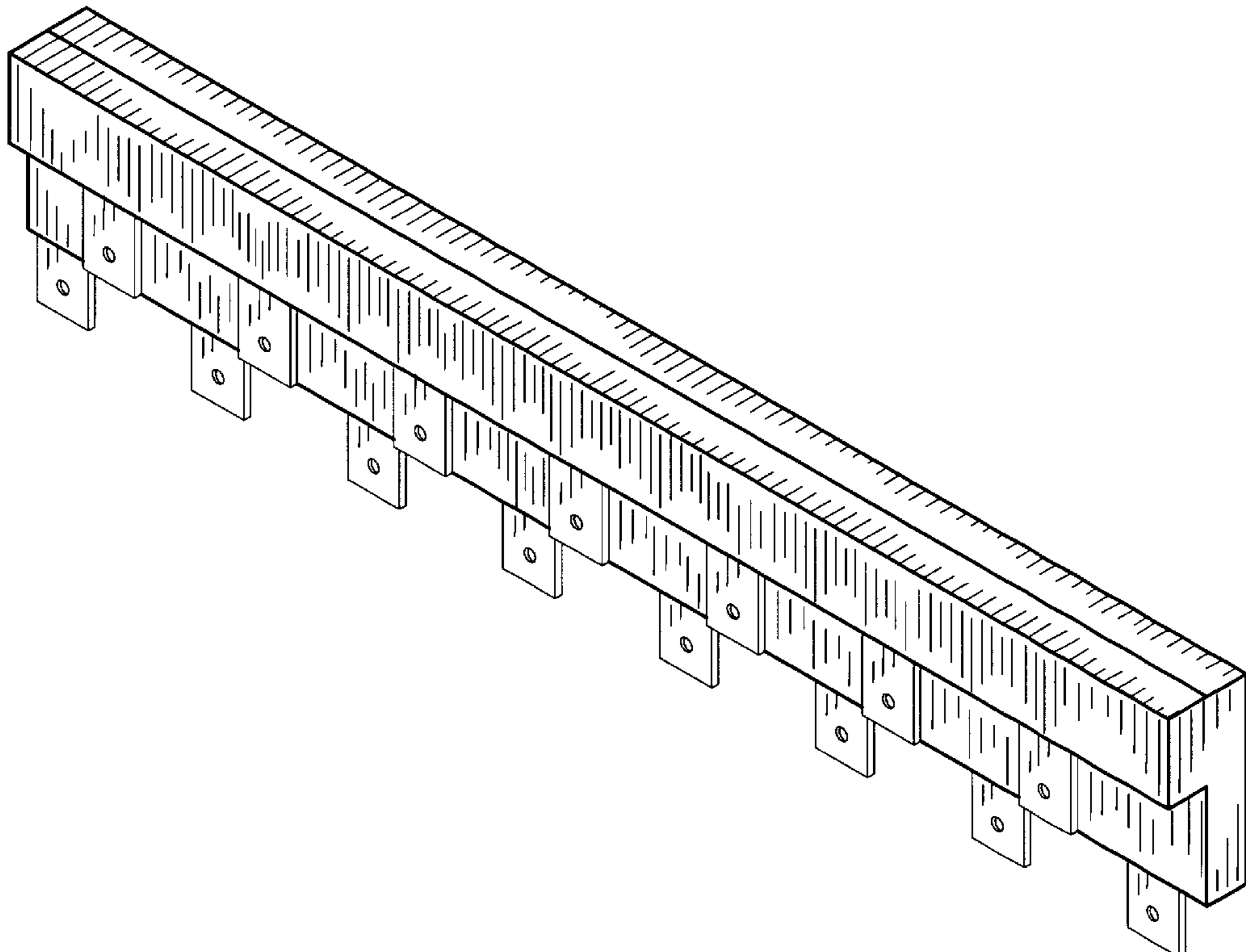
**U.S. PATENT DOCUMENTS**

- D. 244,979 7/1977 Gitlitz .
- D. 398,160 9/1998 Umberger .
- 2,366,085 12/1944 Brothers .
- 2,401,835 6/1946 McFall .
- 3,710,996 1/1973 Smilow et al. .
- 4,063,669 12/1977 Smilow et al. .
- 4,325,485 4/1982 Pina et al. .
- 4,327,837 5/1982 Ross .
- 4,453,655 6/1984 Smilow et al. .

**DESCRIPTION**

FIG. 1 is a perspective view of my new design for a belt rack;  
 FIG. 2 is a front view thereof;  
 FIG. 3 is a rear view thereof;  
 FIG. 4 is a left side view thereof;  
 FIG. 5 is a right side view thereof;  
 FIG. 6 is a top view thereof;  
 FIG. 7 is a bottom view thereof;  
 FIG. 8 is an enlarged view of a portion of FIG. 2;  
 FIG. 9 is a sectional view along line 9—9 in FIG. 8;  
 FIG. 10 is a sectional view along line 10—10 in FIG. 8;  
 FIG. 11 is an enlarged view of a portion of FIG. 2 with the belt rack supporting plural belts, the belts form no part of the invention;  
 FIG. 12 is a rear view of FIG. 11;  
 FIG. 13 is a view along line 13—13 in FIG. 11; and,  
 FIG. 14 is a view along line 14—14 in FIG. 11.

**1 Claim, 6 Drawing Sheets**



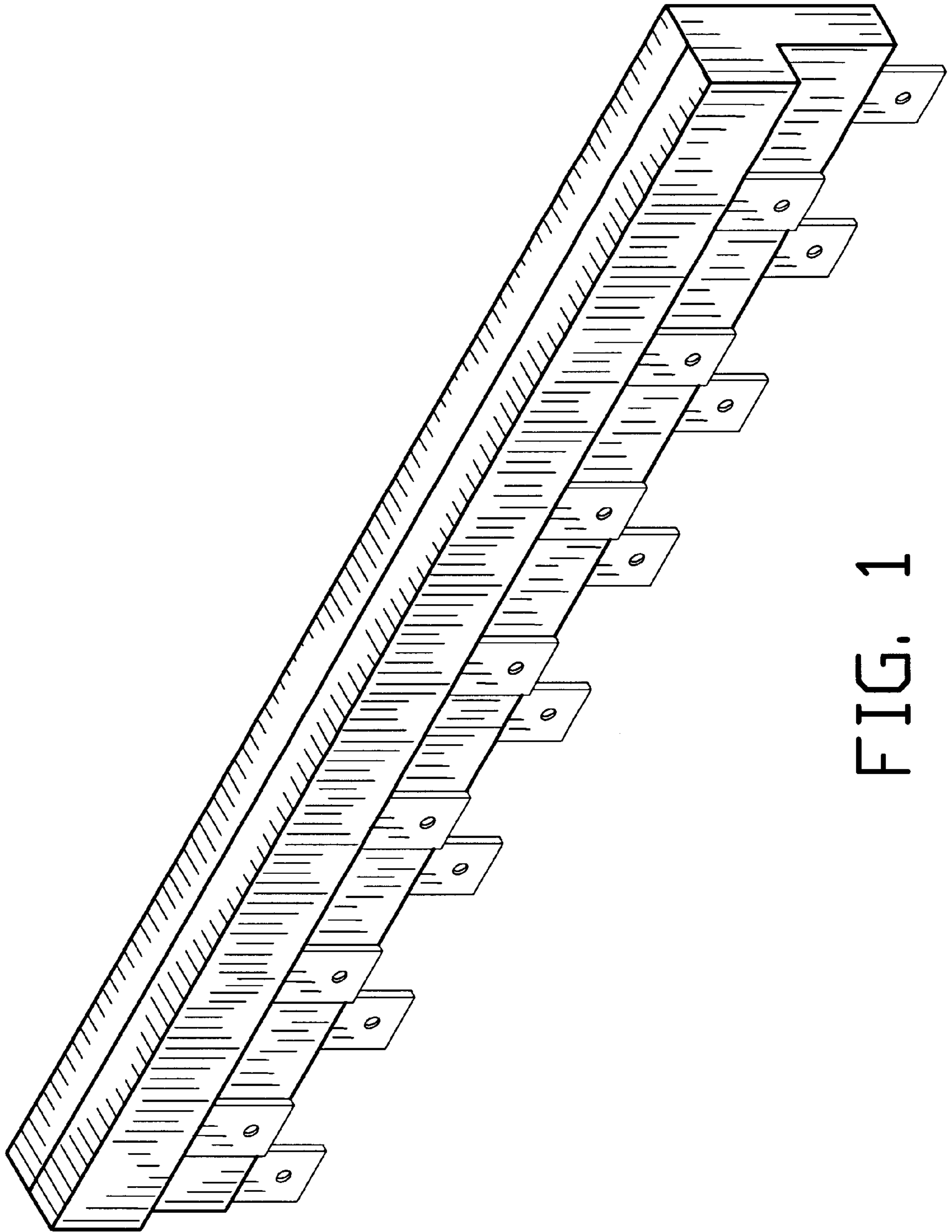


FIG. 1

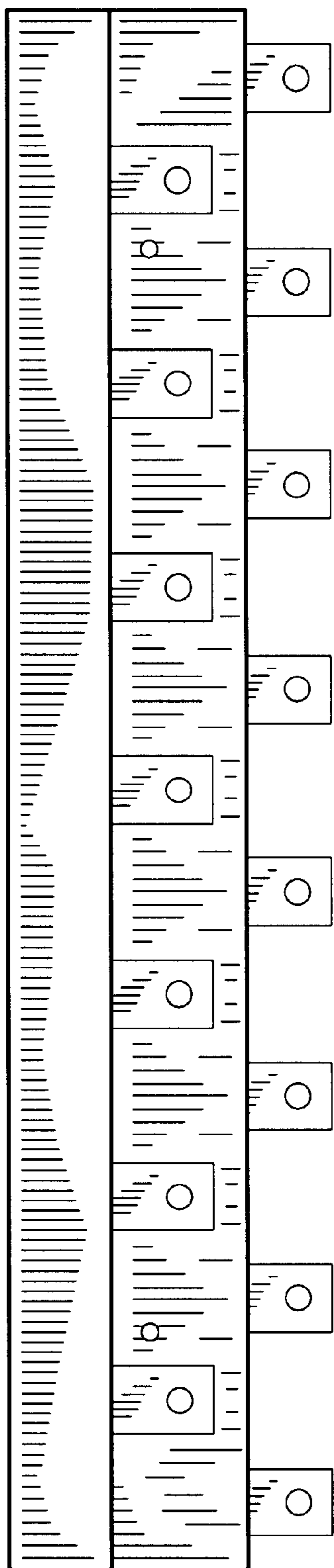


FIG. 2

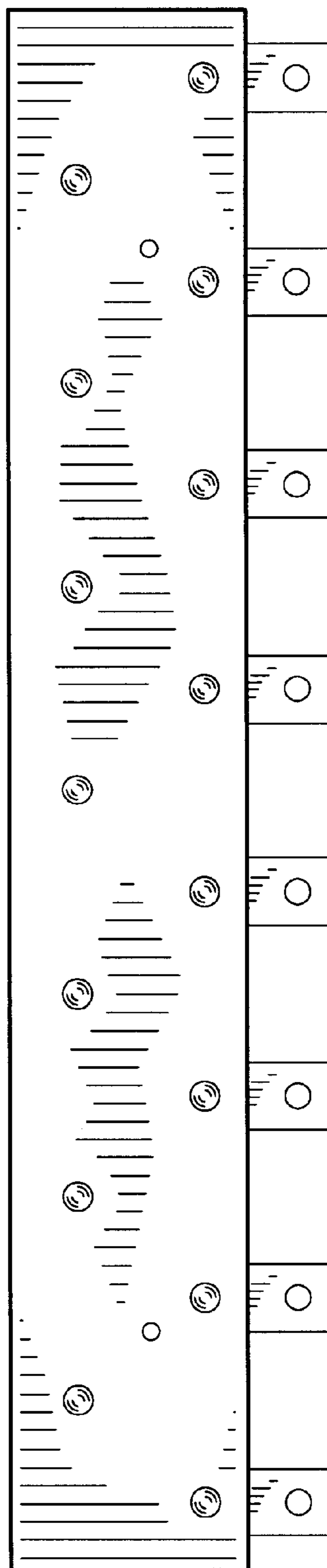


FIG. 3

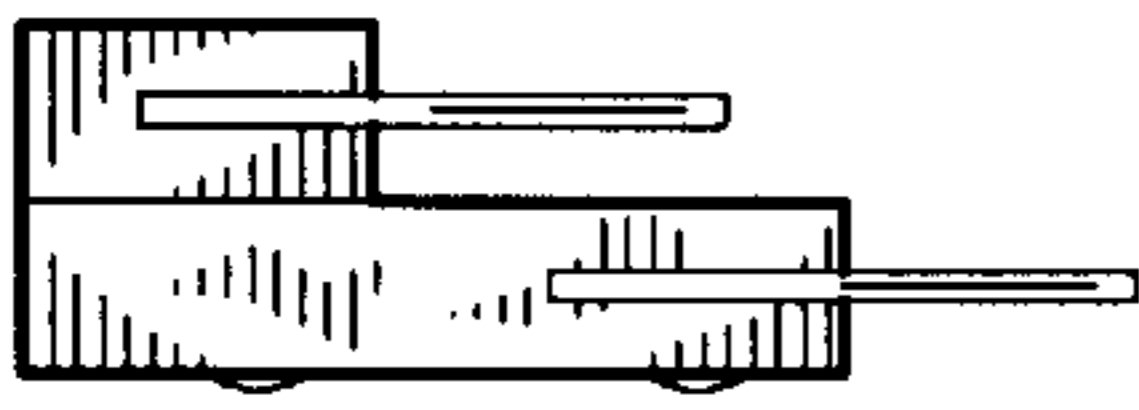


FIG. 4

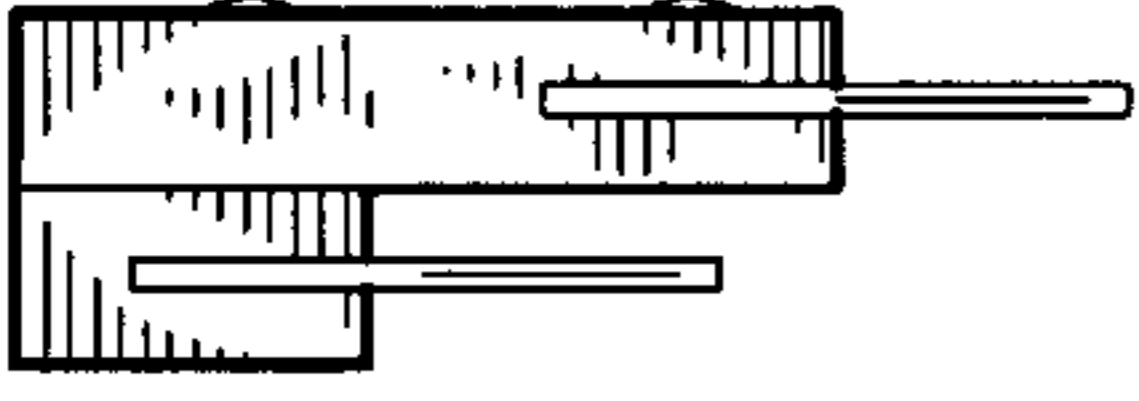


FIG. 5

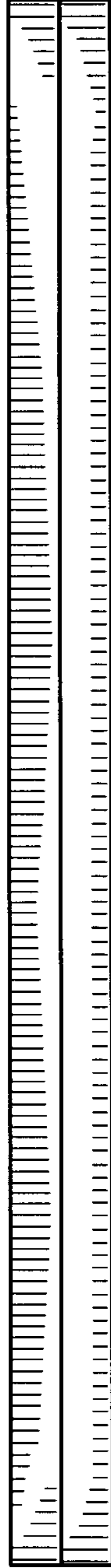


FIG. 6



FIG. 7

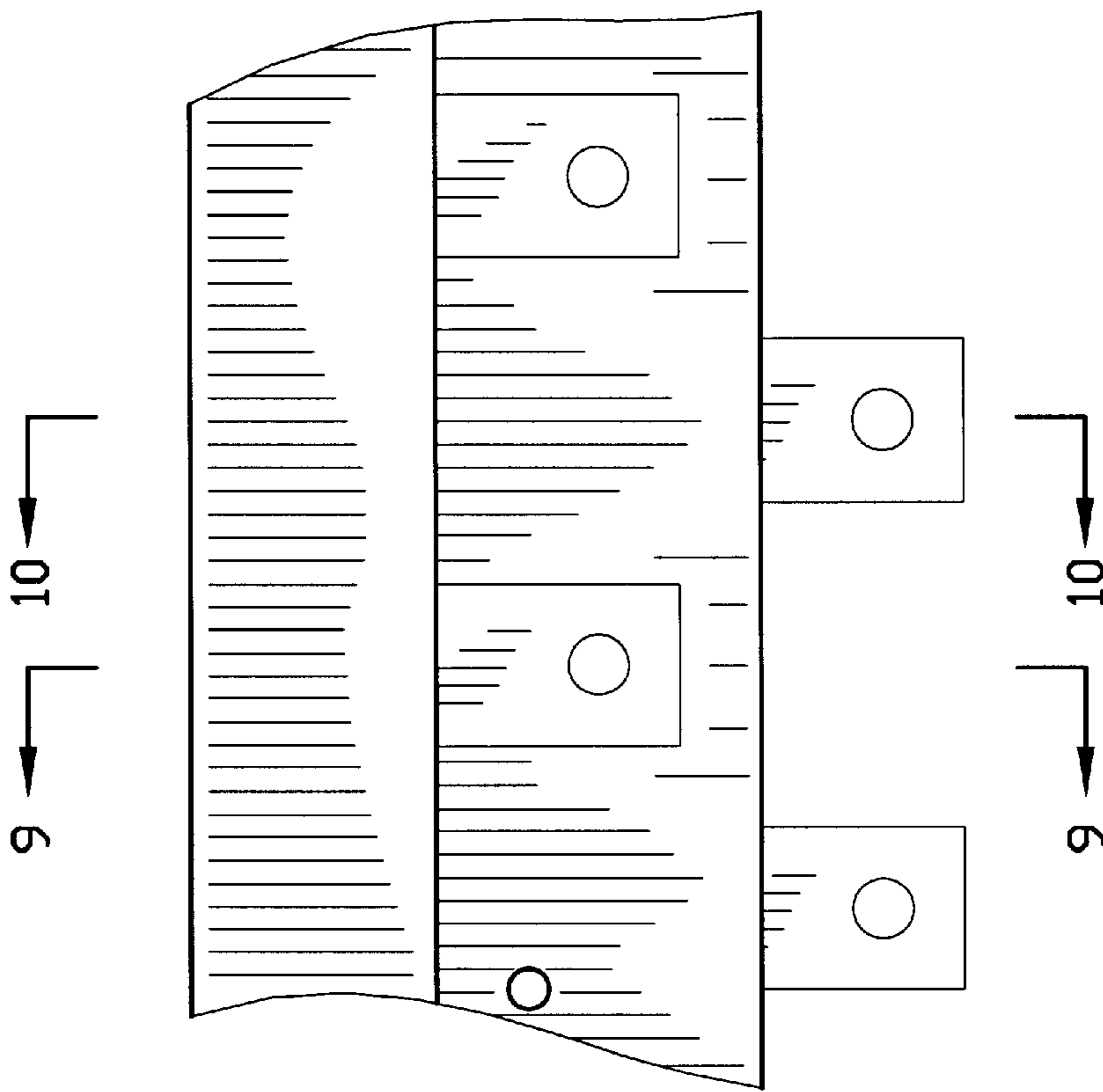


FIG. 8

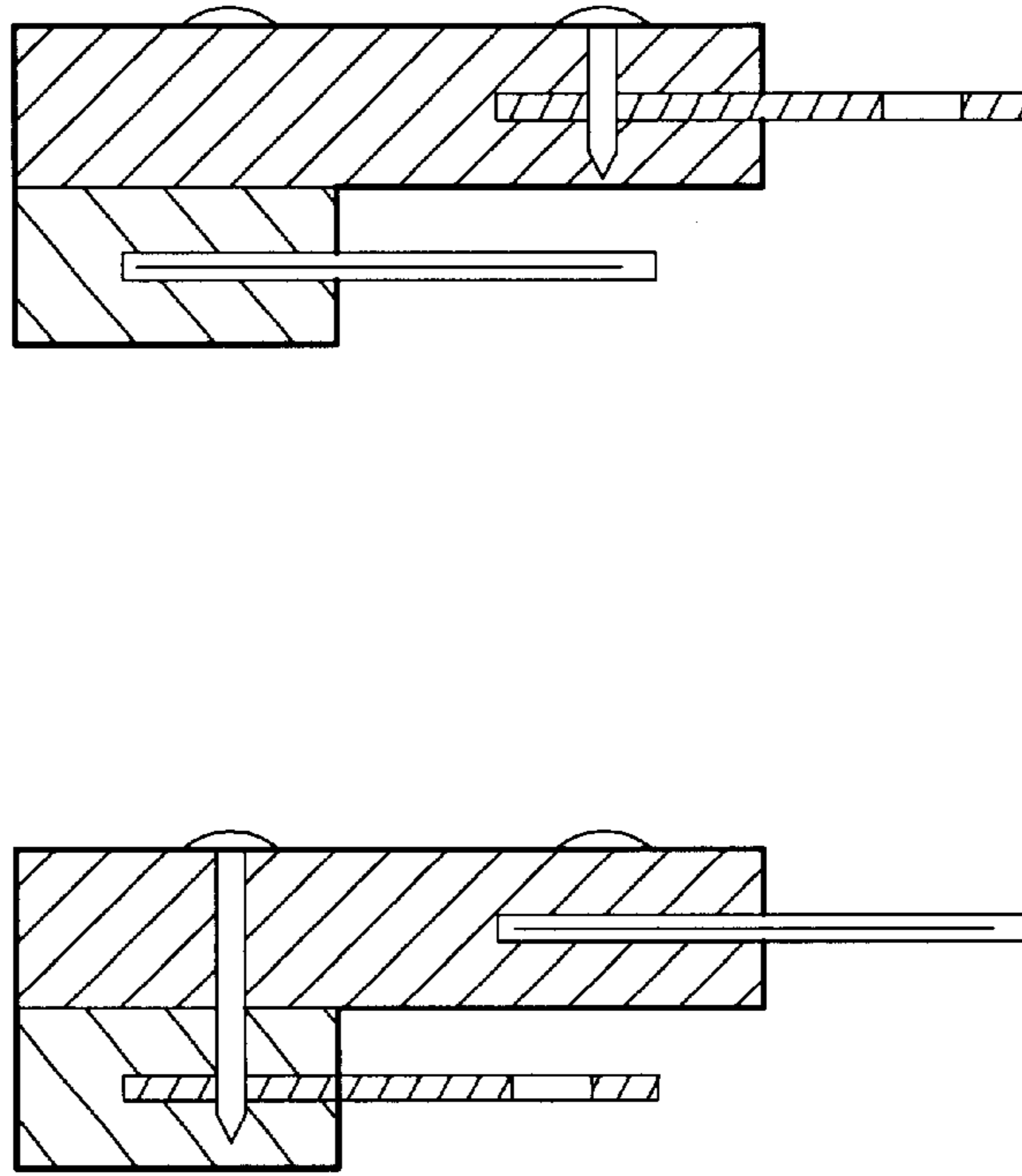


FIG. 9

FIG. 10

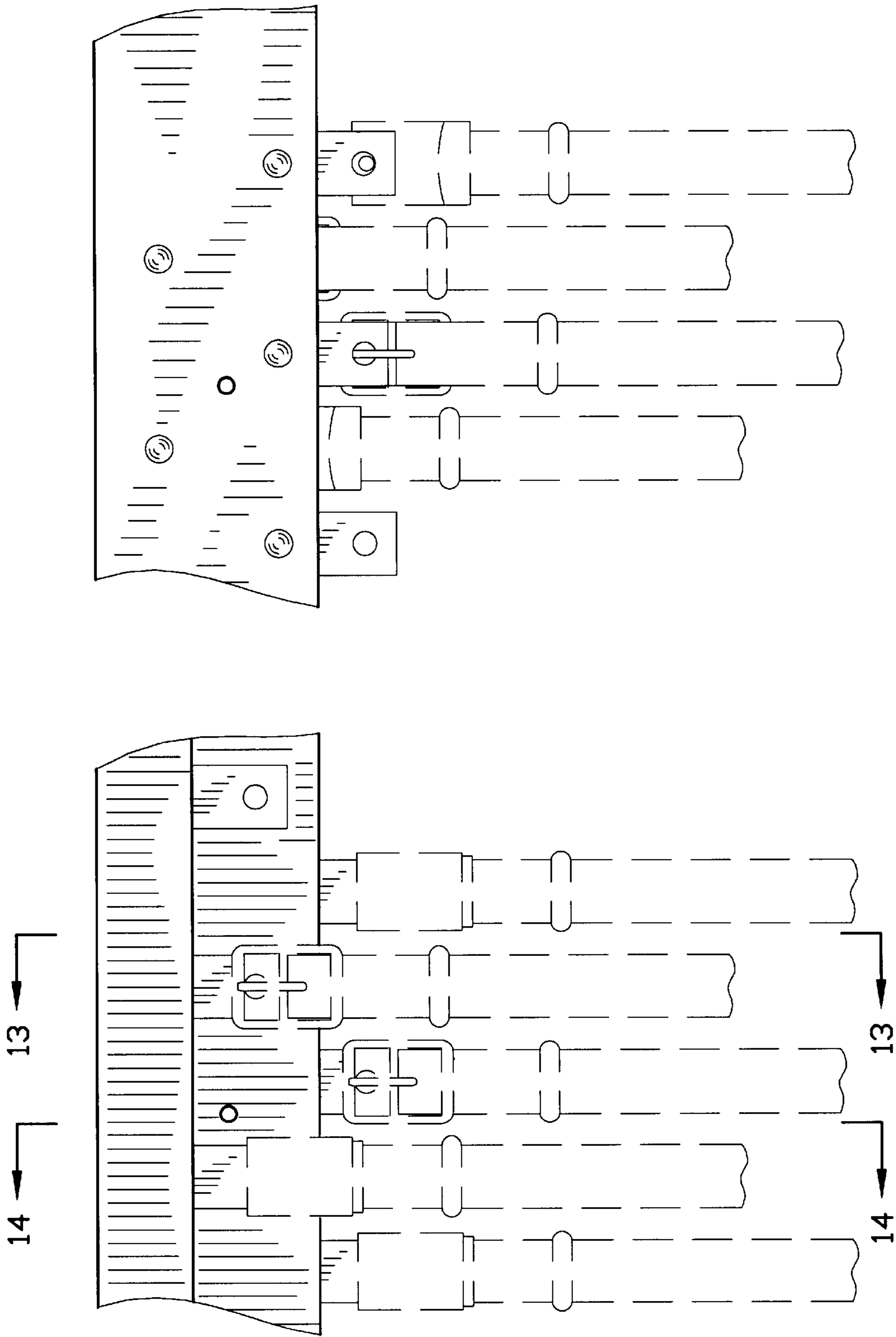


FIG. 12

FIG. 11

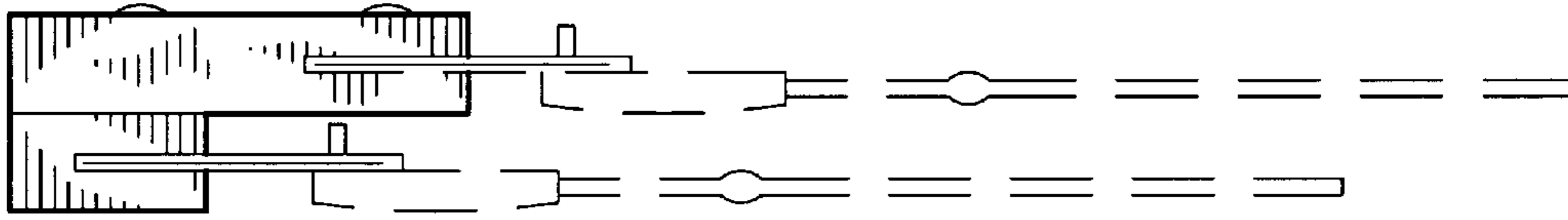


FIG. 14

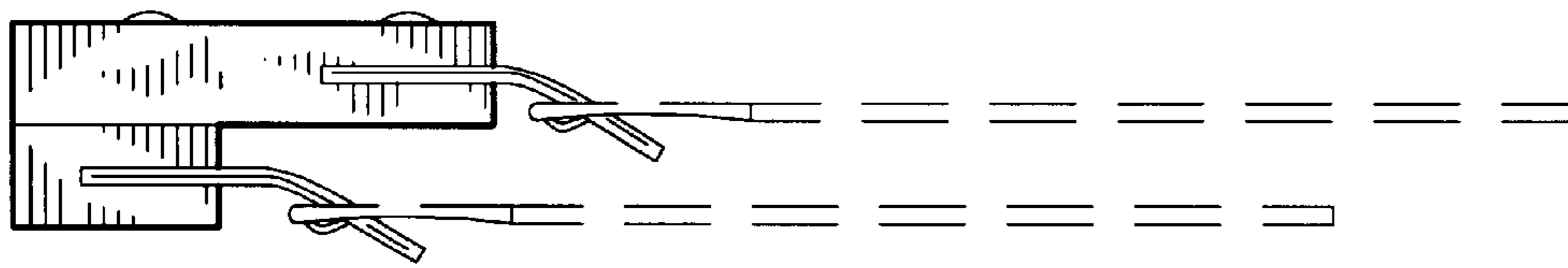


FIG. 13