



US00D444952S

(12) **United States Design Patent**
Mason, Jr.

(10) **Patent No.:** **US D444,952 S**

(45) **Date of Patent:** **** Jul. 17, 2001**

(54) **COMBINATION SNOW BRUSH HEAD**

4,848,819 7/1989 Moorefield .
5,067,197 11/1991 Cormier .

(75) Inventor: **Warren E. Mason, Jr.**, East
Longmeadow, MA (US)

* cited by examiner

(73) Assignee: **Angel Guard Products, Inc.**,
Worcester, MA (US)

Primary Examiner—Alan P. Douglas

Assistant Examiner—Lavone Tabor

(74) *Attorney, Agent, or Firm*—Blodgett & Blodgett, P.C.

(**) Term: **14 Years**

(57) **CLAIM**

(21) Appl. No.: **29/128,945**

The ornamental design for a combination snow brush head,
as shown and described.

(22) Filed: **Sep. 1, 2000**

DESCRIPTION

(51) **LOC (7) Cl.** **04-01**

(52) **U.S. Cl.** **D4/118**

(58) **Field of Search** D4/116, 118-120,
D4/130, 132, 134; D32/41, 42; 15/105,
111, 114, 117, 118, 121, 159.1, 160, 176.1,
236.02, 245, 245.1

FIG. 1 is a top plan view of a combination snow brush head
showing my new design;

FIG. 2 is a perspective view thereof looking from a lower
rear corner of the combination snow brush head;

FIG. 3 is a front elevational view thereof;

FIG. 4 is a rear elevational view thereof;

FIG. 5 is a bottom plan view thereof; and,

FIG. 6 is a left side elevation view thereof, the right side
elevational view being a mirror image thereof.

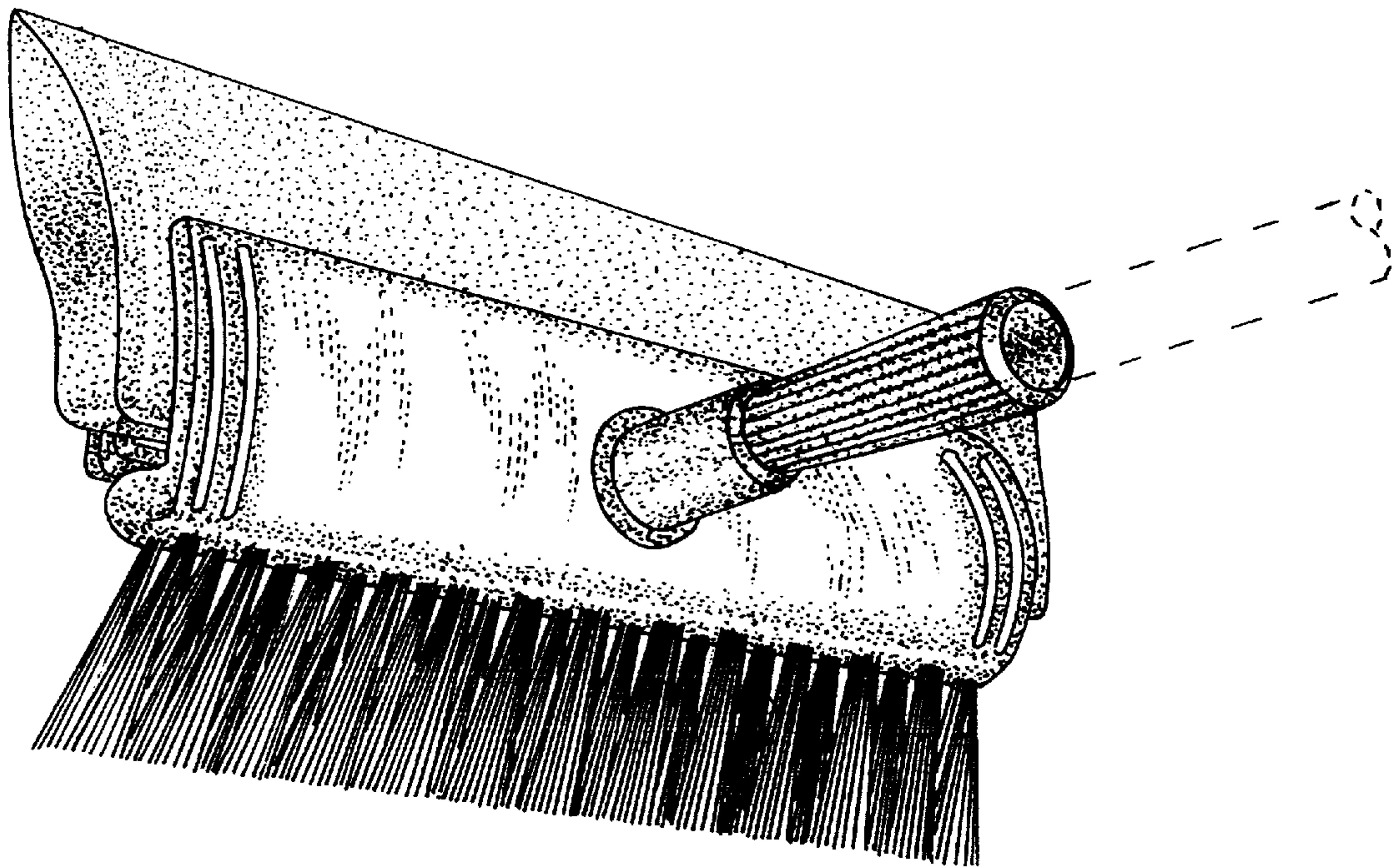
The broken line structure that is shown in FIGS. 1, 2, 5, and
6 is for illustrative purposes only and forms no part of the
claimed design.

(56) **References Cited**

U.S. PATENT DOCUMENTS

D. 232,299	*	8/1974	Epstein	D4/118
D. 235,119	*	5/1975	Gode	D4/118
D. 257,521	*	11/1980	Piero	D4/118
D. 278,099	*	3/1985	Evans	D4/116
4,317,250		3/1982	Shutts	.	

1 Claim, 3 Drawing Sheets



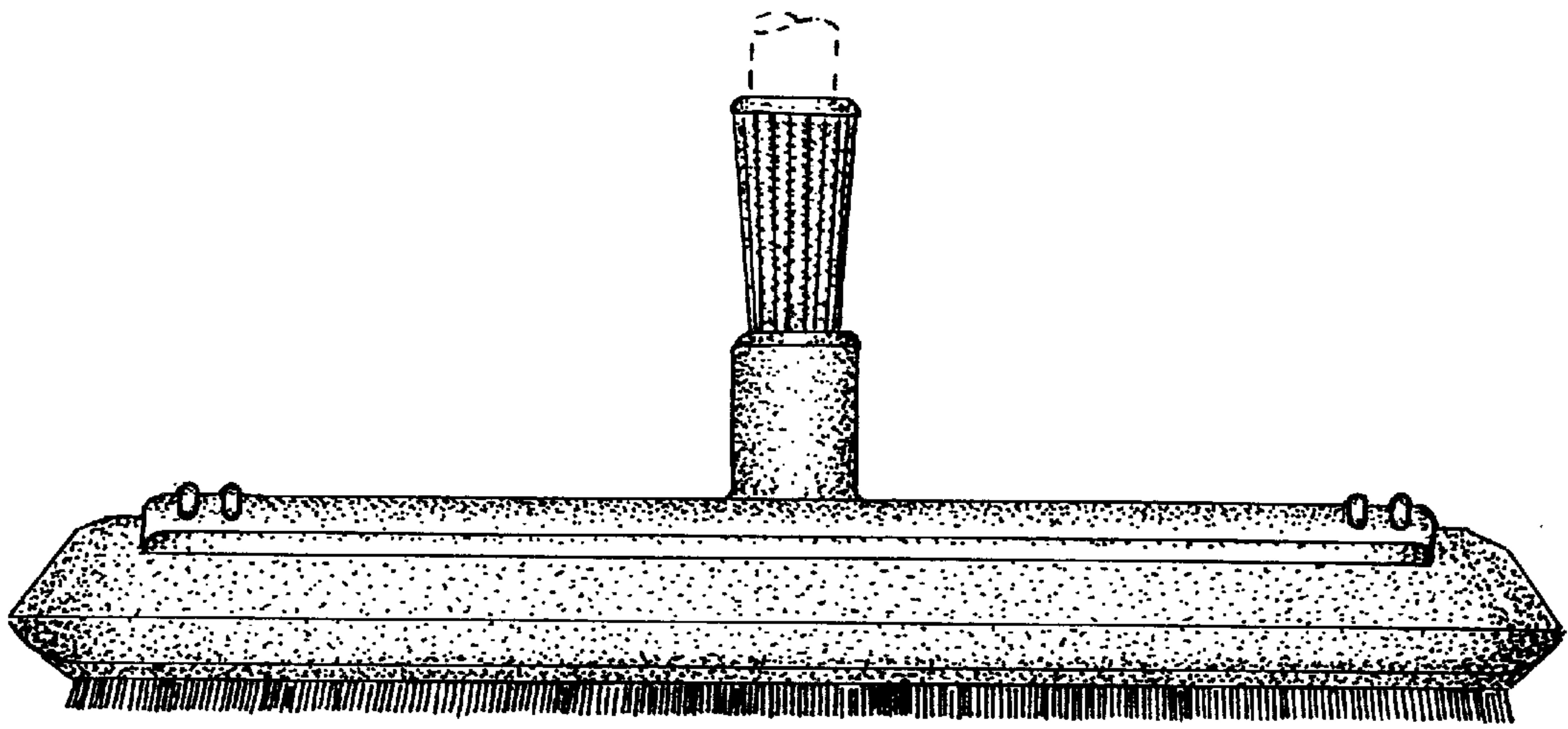


FIG. 1

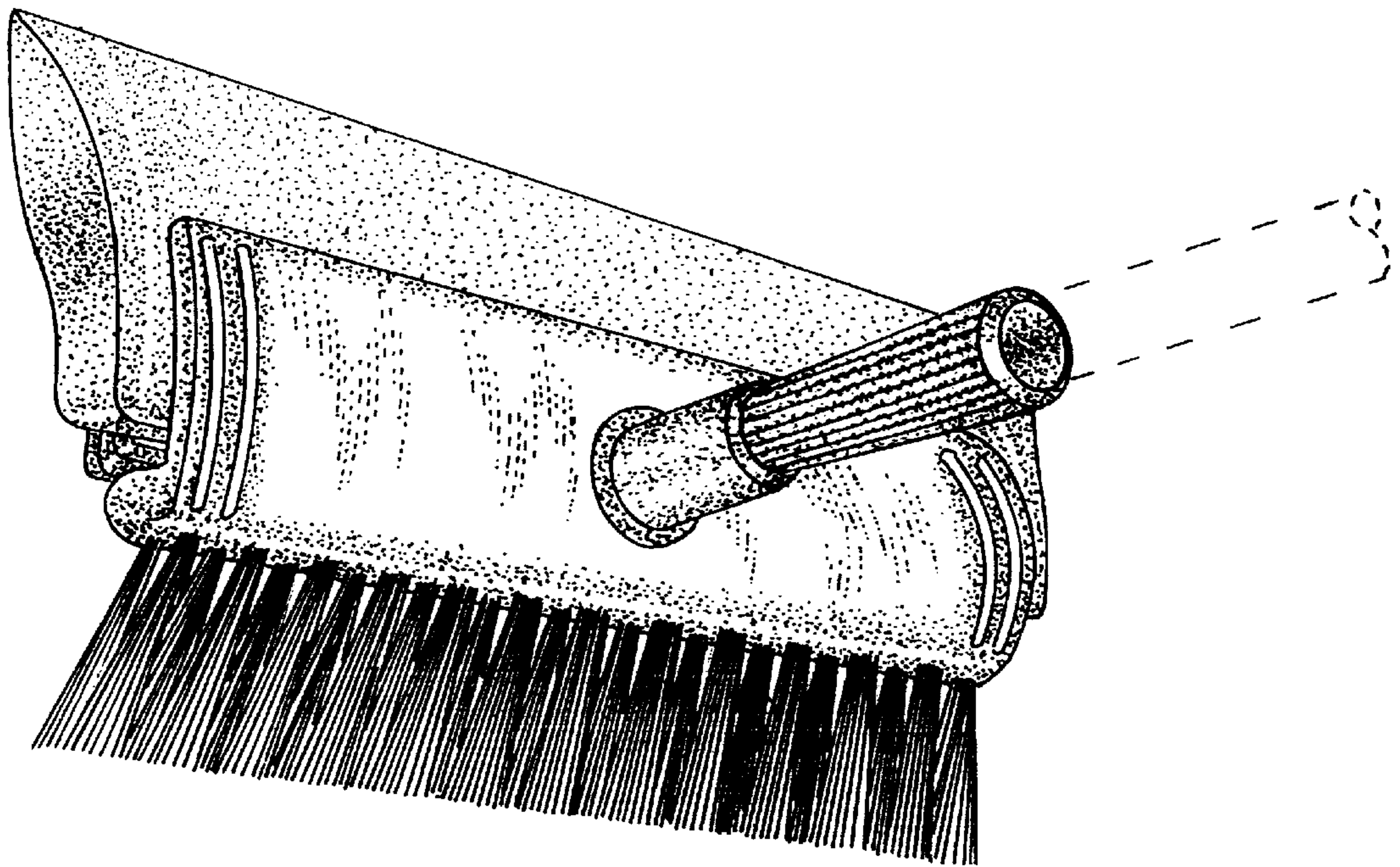


FIG. 2

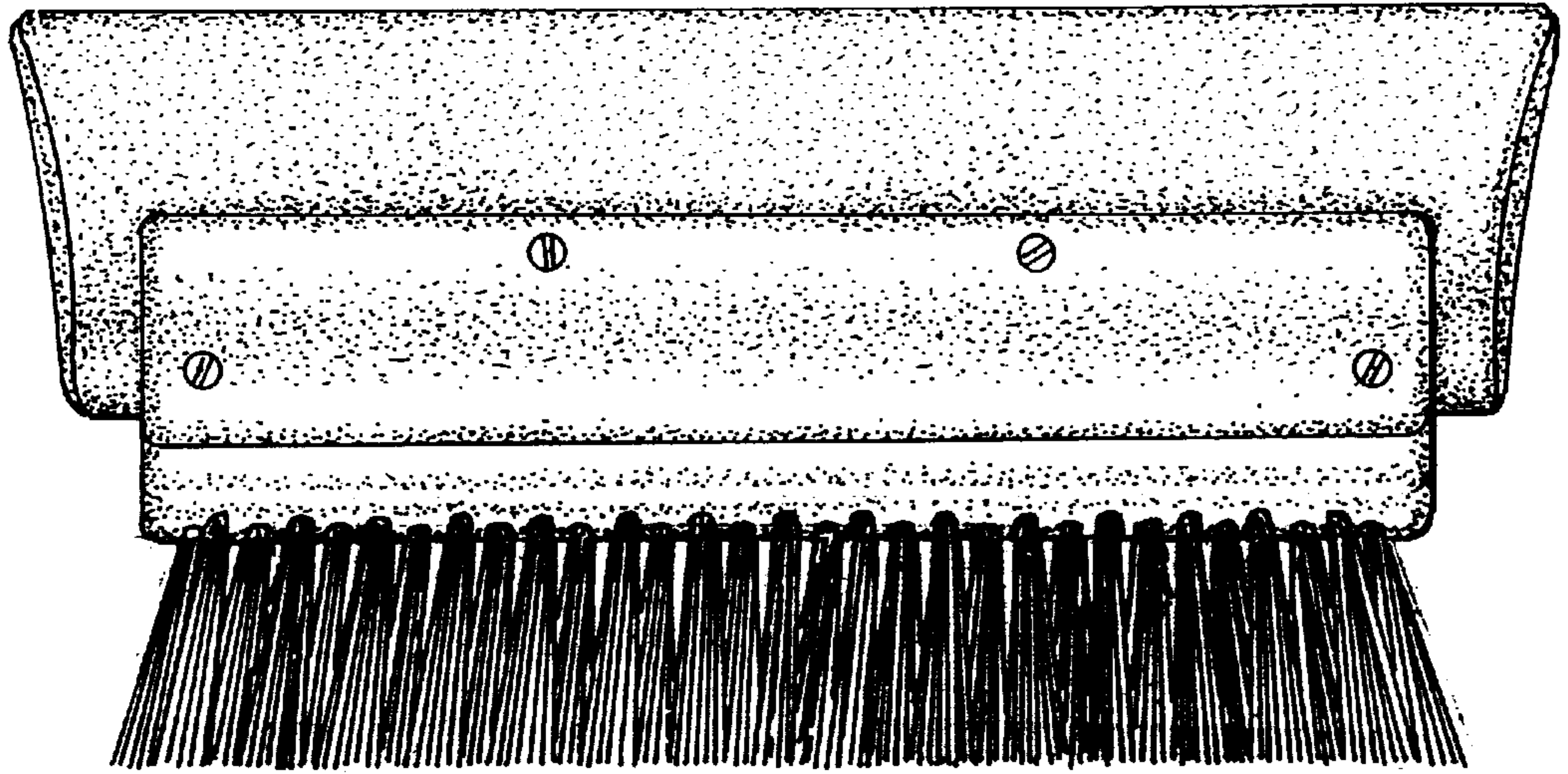


FIG. 3

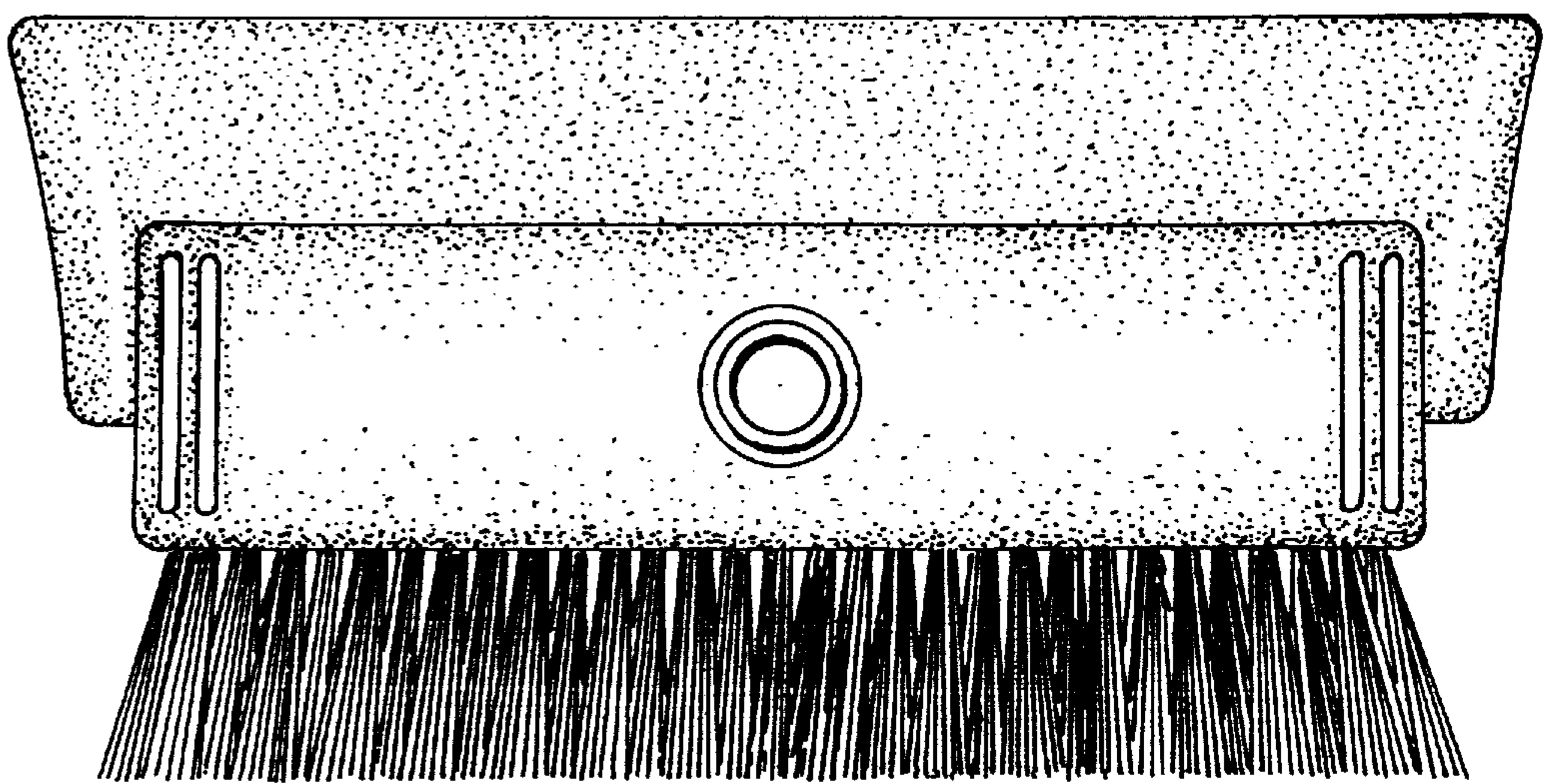


FIG. 4

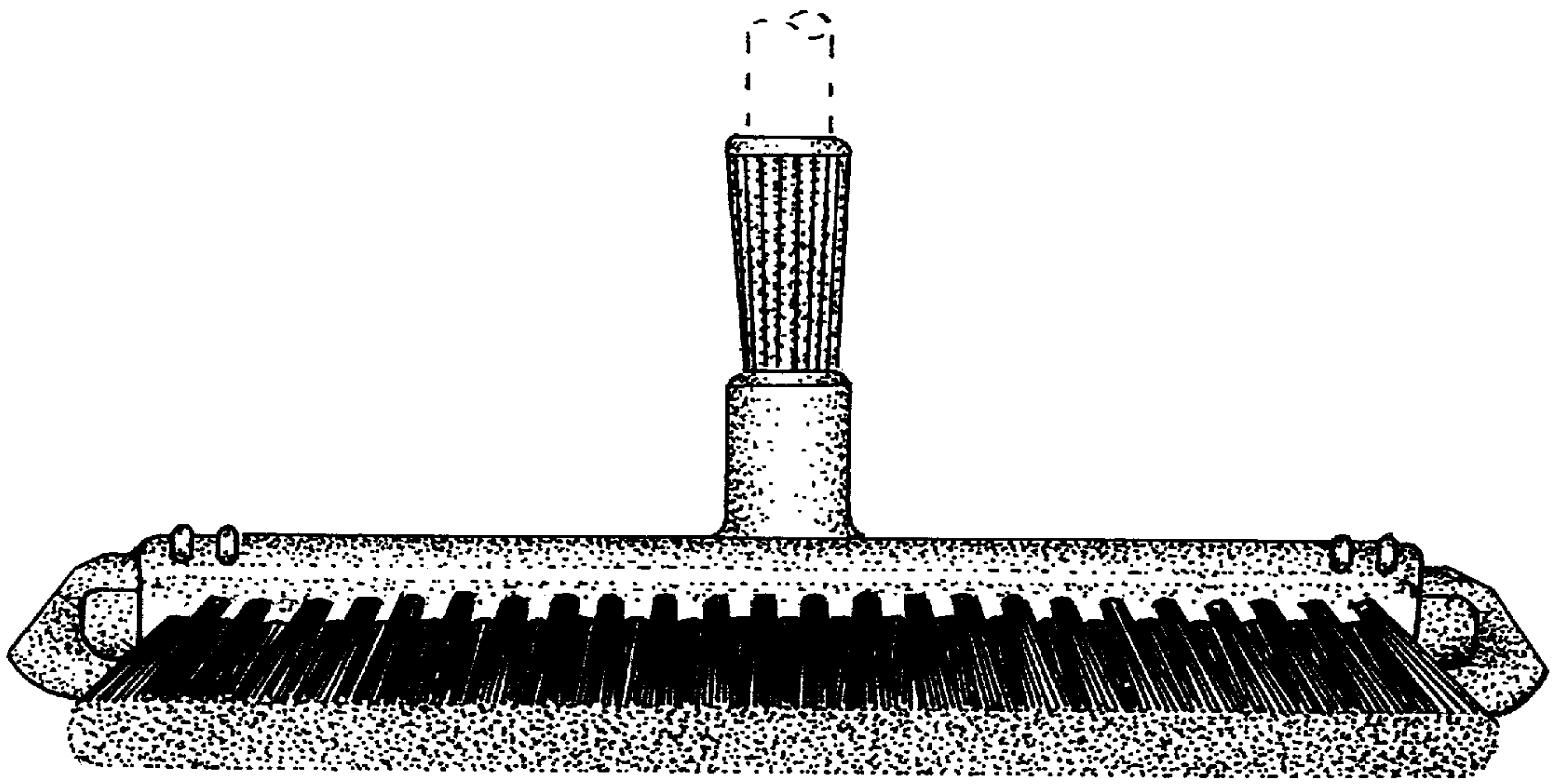


FIG. 5

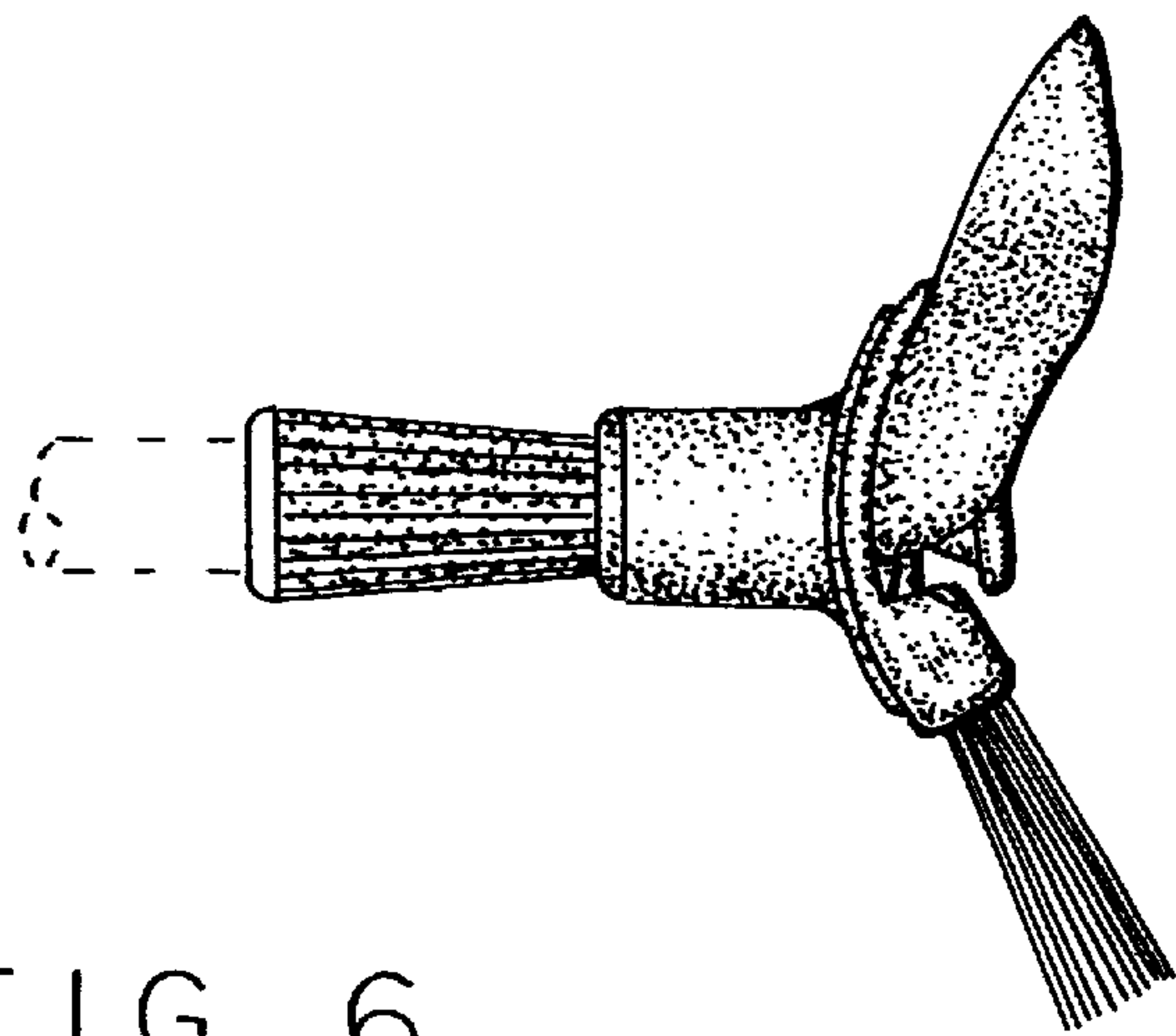


FIG. 6