



US00D444949S

(12) **United States Design Patent**
Whittaker

(10) **Patent No.:** **US D444,949 S**

(45) **Date of Patent:** **** Jul. 17, 2001**

(54) **BRUSH CADDY**

(75) Inventor: **Thomas R. Whittaker**, New Castle, PA
(US)

(73) Assignee: **R. E. Whittaker Co.**, New Castle, PA
(US)

(**) Term: **14 Years**

(21) Appl. No.: **29/128,237**

(22) Filed: **Aug. 18, 2000**

(51) **LOC (7) Cl.** **03-01**

(52) **U.S. Cl.** **D3/308**

(58) **Field of Search** D3/315, 303-314,
D3/905; 206/372-376; D32/53, 53.1

(56) **References Cited**

U.S. PATENT DOCUMENTS

- D. 364,039 * 11/1995 Kruger D3/315
- D. 372,124 * 7/1996 Dammers D3/315
- D. 376,477 * 12/1996 Patterson, Jr. D3/304

- D. 421,337 * 3/2000 Stevens D3/315
- 1,542,927 * 6/1925 Whitaker 206/372 X
- 2,728,485 * 12/1955 Howard 206/200

* cited by examiner

Primary Examiner—Louis S. Zarfes

Assistant Examiner—Catherine R. Oliver

(74) *Attorney, Agent, or Firm*—Cohen & Grigsby, P.C.

(57) **CLAIM**

An ornamental design for an brush caddy, substantially as shown.

DESCRIPTION

FIG. 1 is a perspective view of a brush caddy, showing my new design;

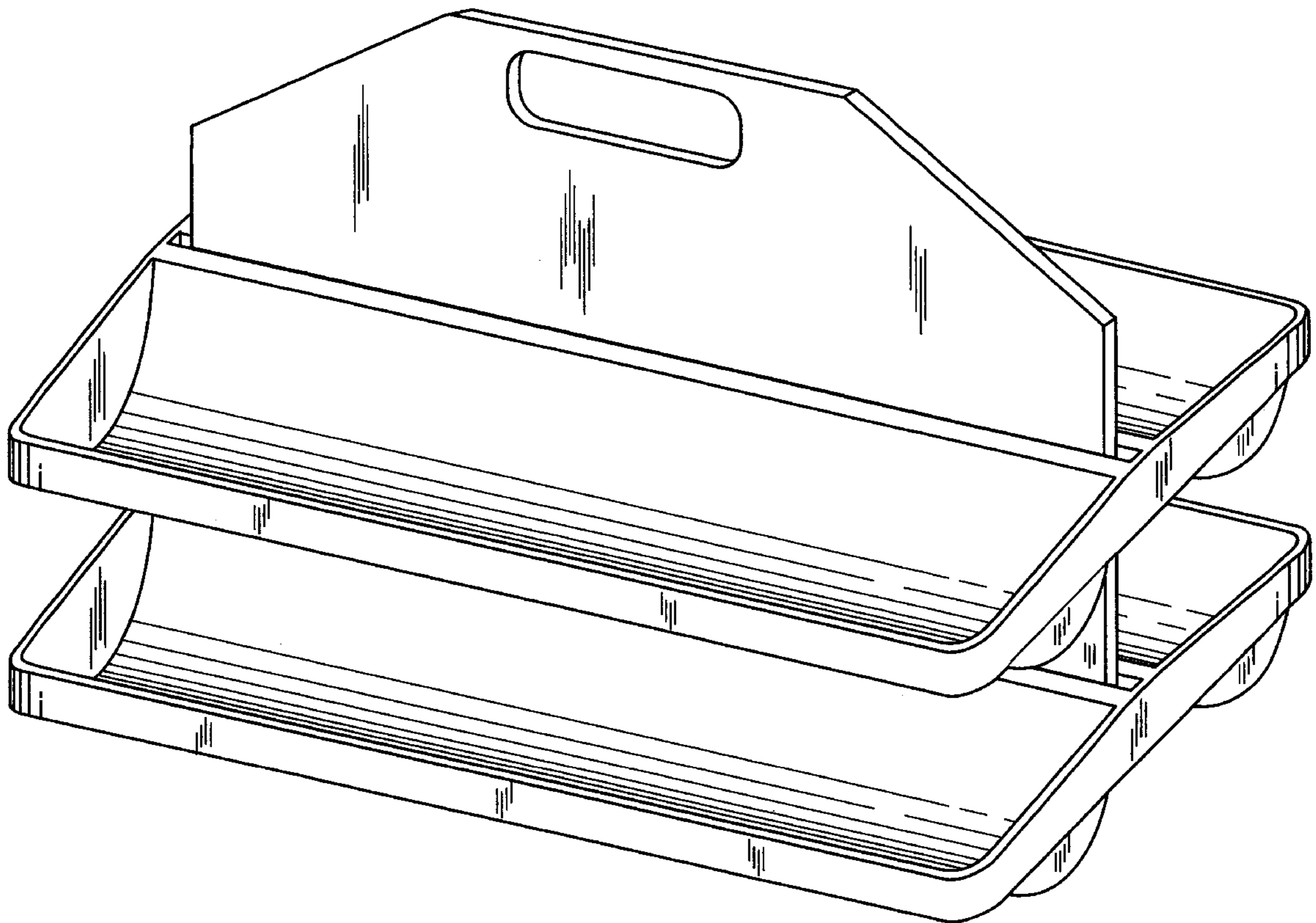
FIG. 2 is a side elevation of the brush caddy in the upright position.

FIG. 3 is a rear elevation view of the brush caddy in the upright position.

FIG. 4 is an overhead view of the brush caddy; and,

FIG. 5 is a bottom view of the brush caddy.

1 Claim, 5 Drawing Sheets



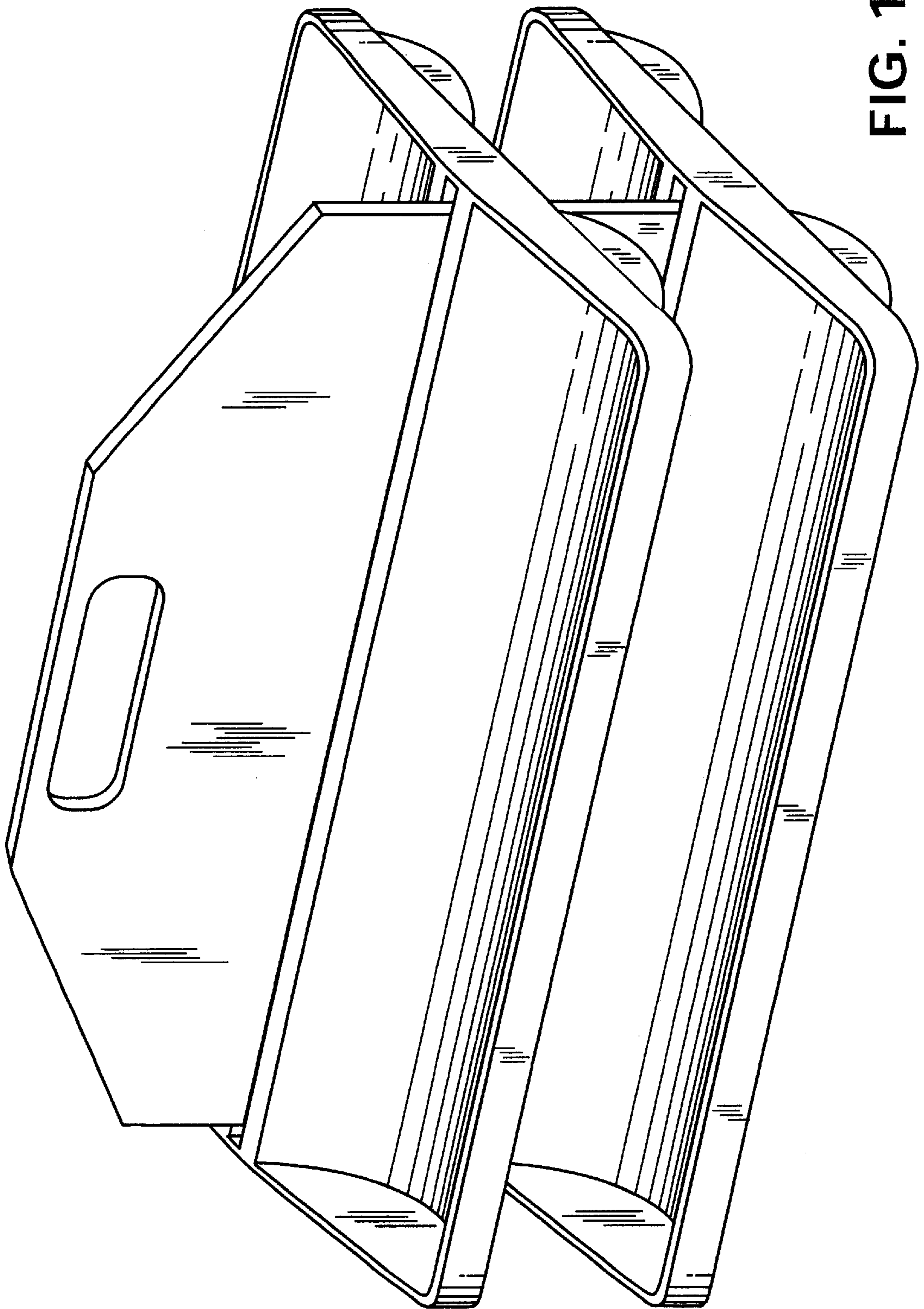


FIG. 1

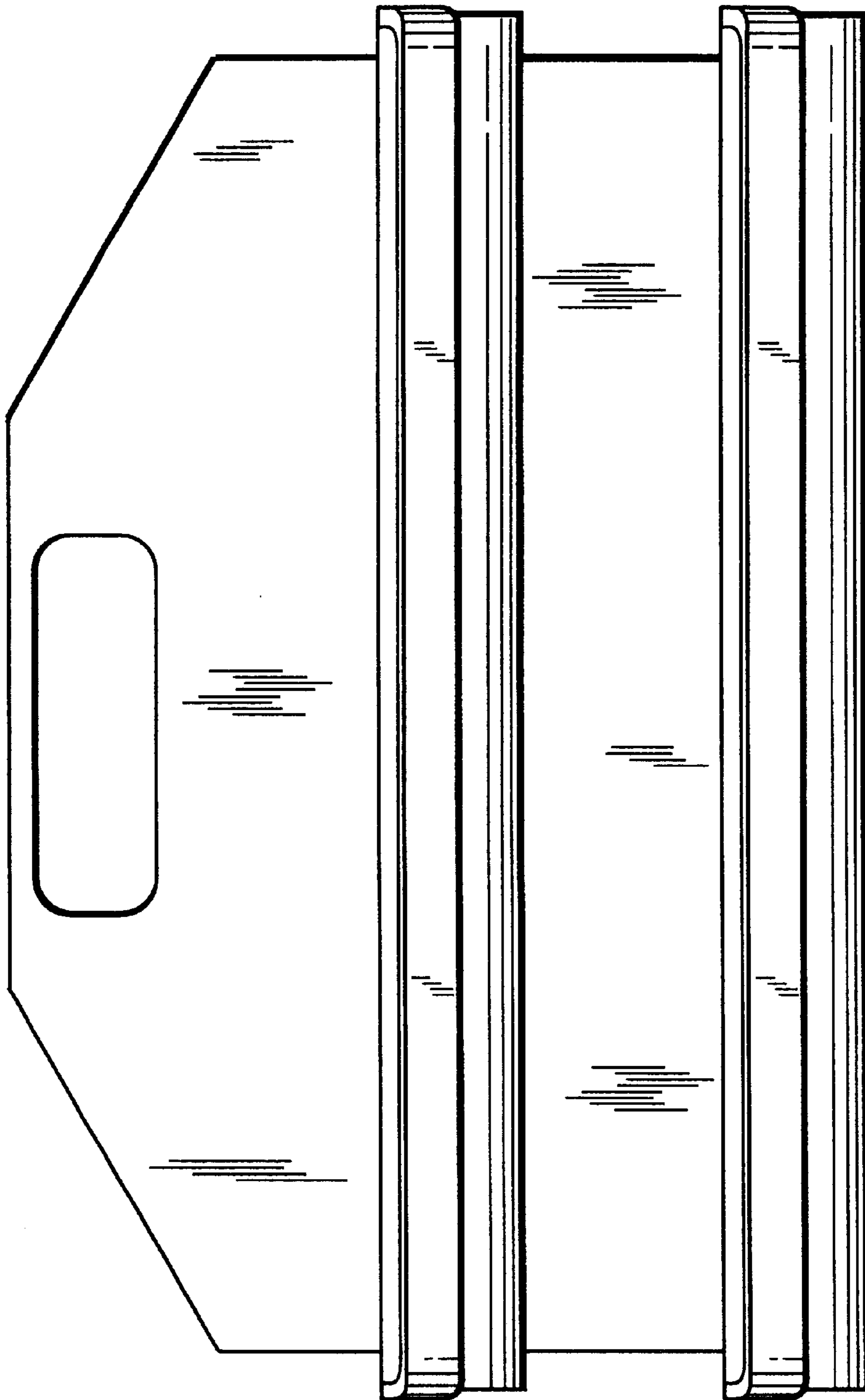


FIG. 2

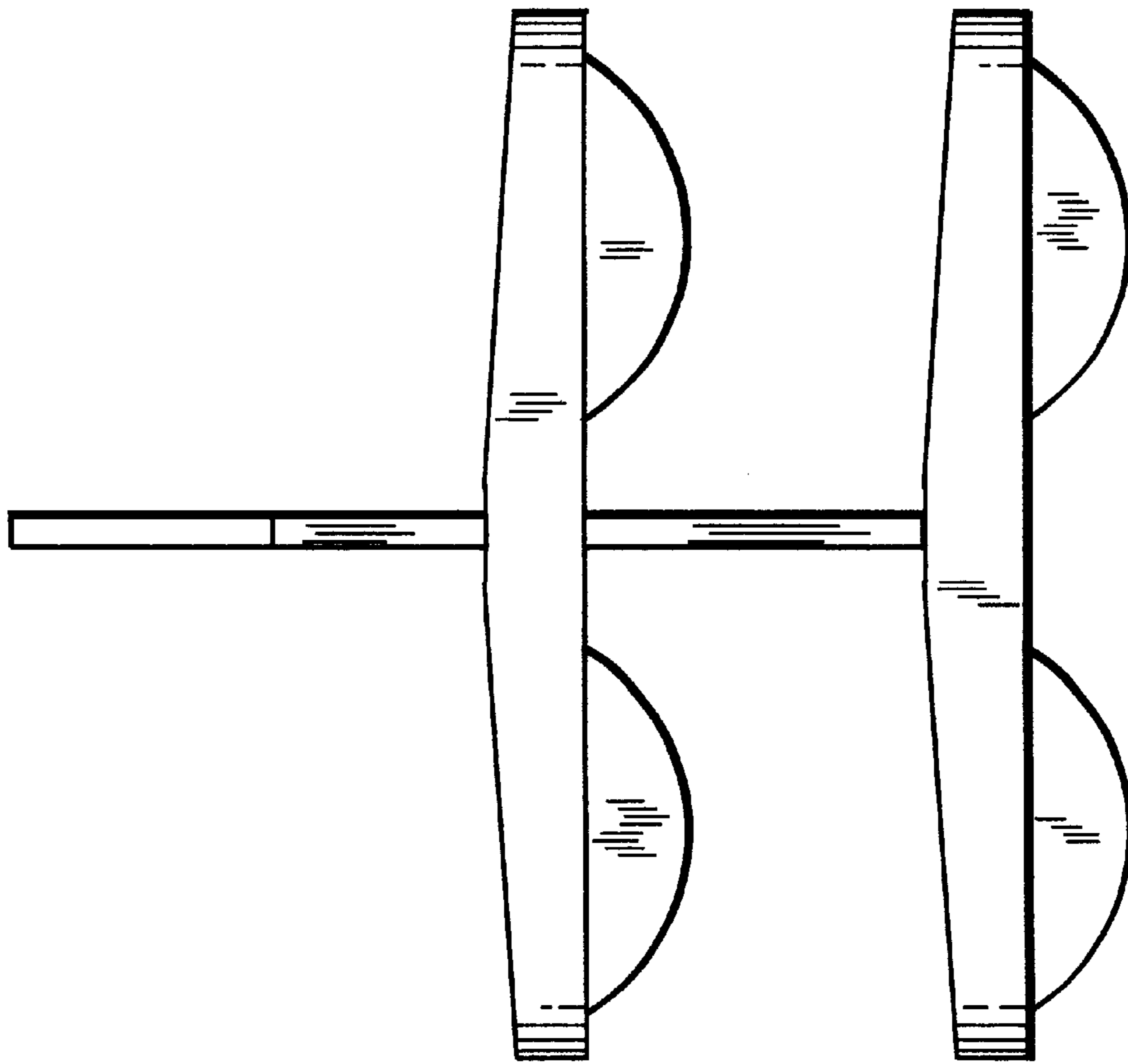


FIG. 3

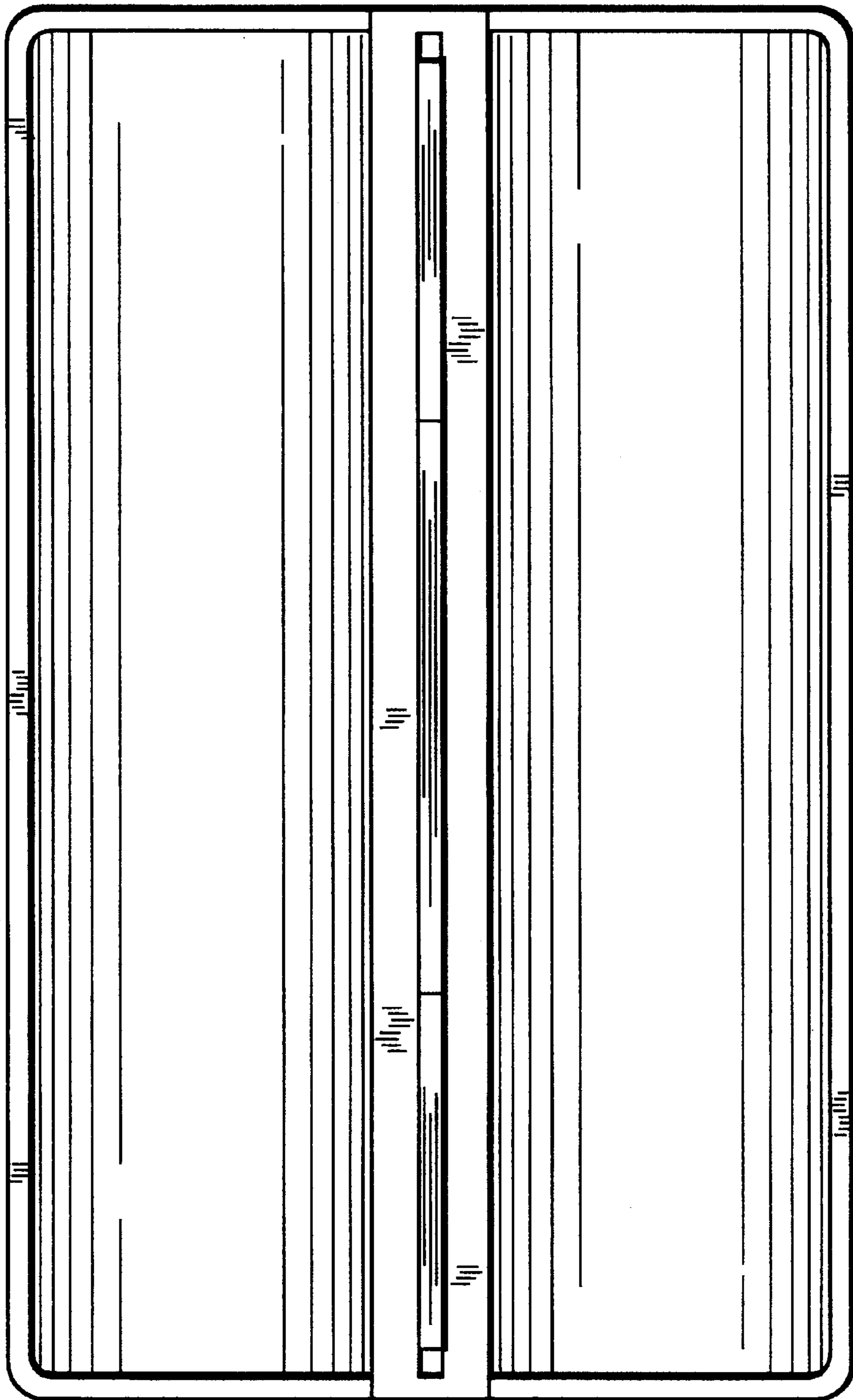


FIG. 4

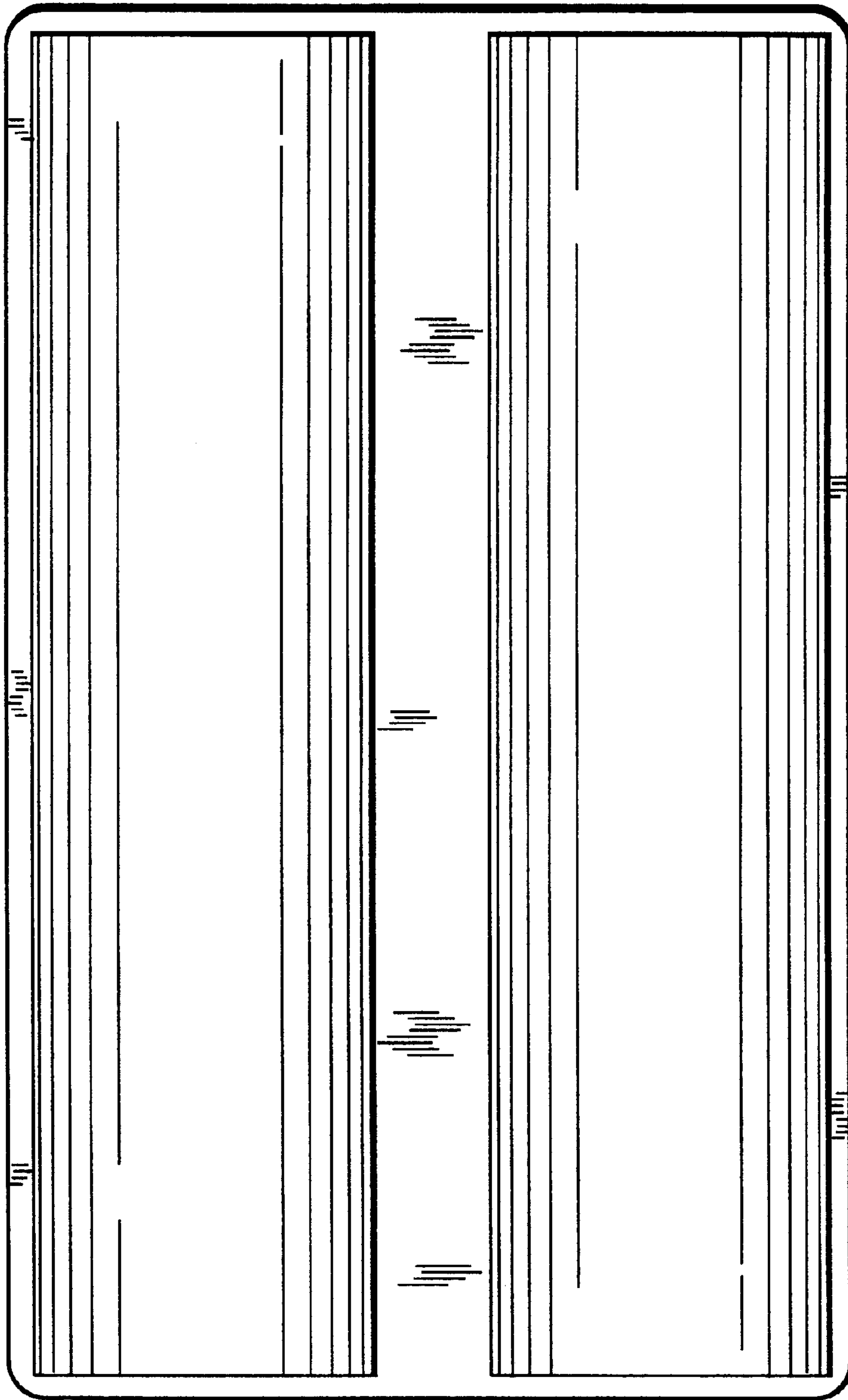


FIG. 5