



US00D444946S

(12) **United States Design Patent**  
**Klamm**

(10) **Patent No.:** **US D444,946 S**

(45) **Date of Patent:** **\*\* Jul. 17, 2001**

(54) **CARRYING BAG WITH WHEELS**

(75) **Inventor:** **Randy L. Klamm**, Evergreen, CO (US)

(73) **Assignee:** **The Coleman Company, Inc.**, Wichita, KS (US)

(\*\*) **Term:** **14 Years**

(21) **Appl. No.:** **29/134,521**

(22) **Filed:** **Dec. 20, 2000**

(51) **LOC (7) Cl.** ..... **03-01**

(52) **U.S. Cl.** ..... **D3/279**

(58) **Field of Search** ..... D3/273, 276, 283,  
D3/279, 284, 285, 286, 287, 289, 301;  
190/18 A, 100, 109, 111, 112, 113, 114,  
115

(56) **References Cited**

**U.S. PATENT DOCUMENTS**

D. 352,395	*	11/1994	King	.....	D3/279
D. 354,166	*	1/1995	Lin	.....	D3/289
D. 354,396	*	1/1995	Lowenstein	.....	D3/279
D. 354,397	*	1/1995	Berman	.....	D3/279

D. 362,548	*	9/1995	King et al.	.....	D3/279
D. 364,504	*	11/1995	Bieber et al.	.....	D3/279
D. 364,959	*	12/1995	Finn	.....	D3/279
D. 374,987	*	10/1996	Hughes	.....	D3/279
D. 389,308	*	1/1998	King et al.	.....	D3/279
D. 395,361	*	6/1998	Zionts et al.	.....	D3/279

\* cited by examiner

*Primary Examiner*—Philip S. Hyder

(74) *Attorney, Agent, or Firm*—Michalik & Wylie, PLLC

(57) **CLAIM**

The ornamental design for a carrying bag with wheels, as shown.

**DESCRIPTION**

FIG. 1 is a top, right, perspective view of a carrying bag with wheels showing my new design; FIG. 2 is a front view thereof; FIG. 3 is a rear view thereof; FIG. 4 is a left side view thereof; FIG. 5 is a right side view thereof; FIG. 6 is a top view thereof; and, FIG. 7 is a bottom view thereof.

**1 Claim, 4 Drawing Sheets**



FIG. 1



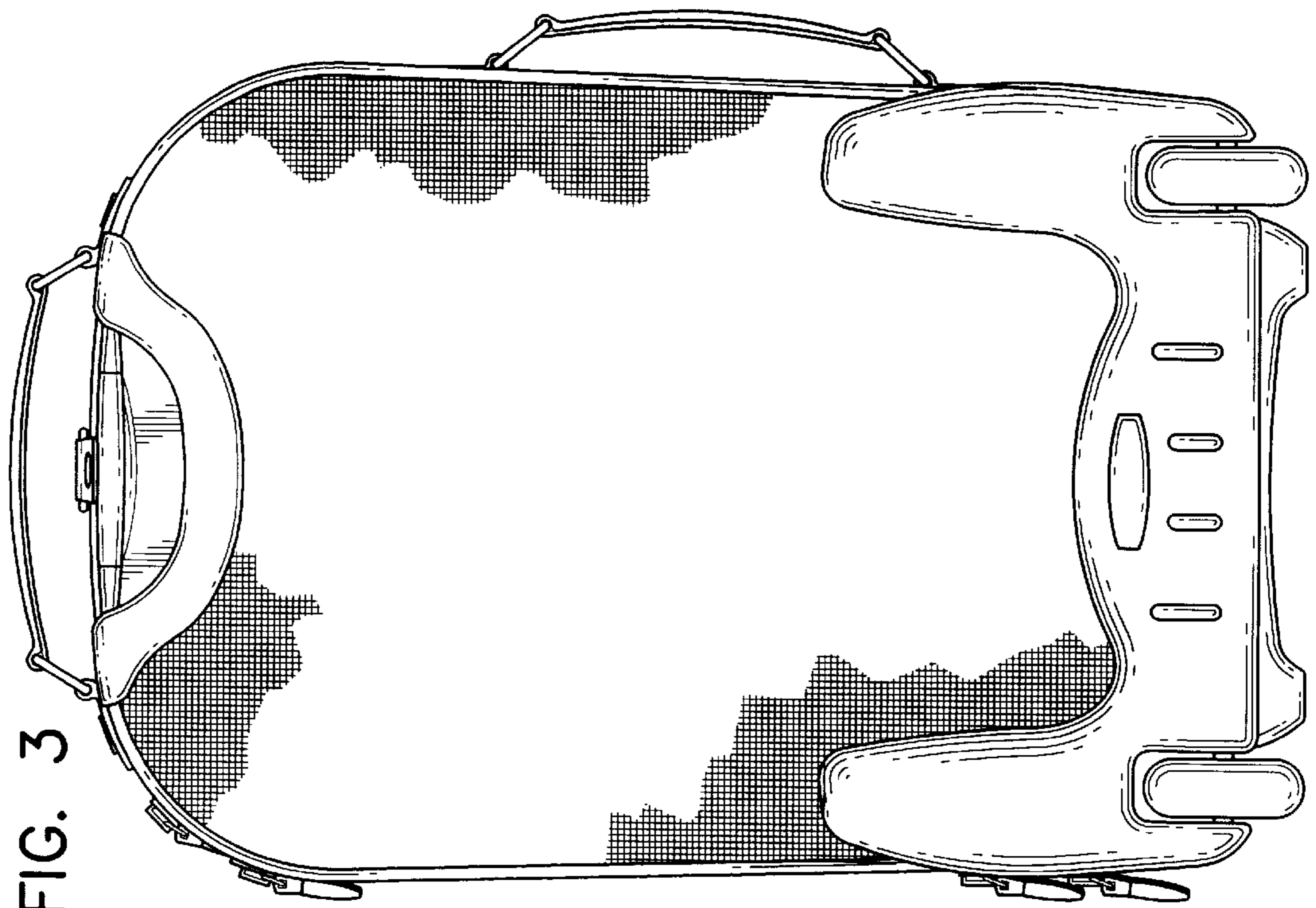


FIG. 3

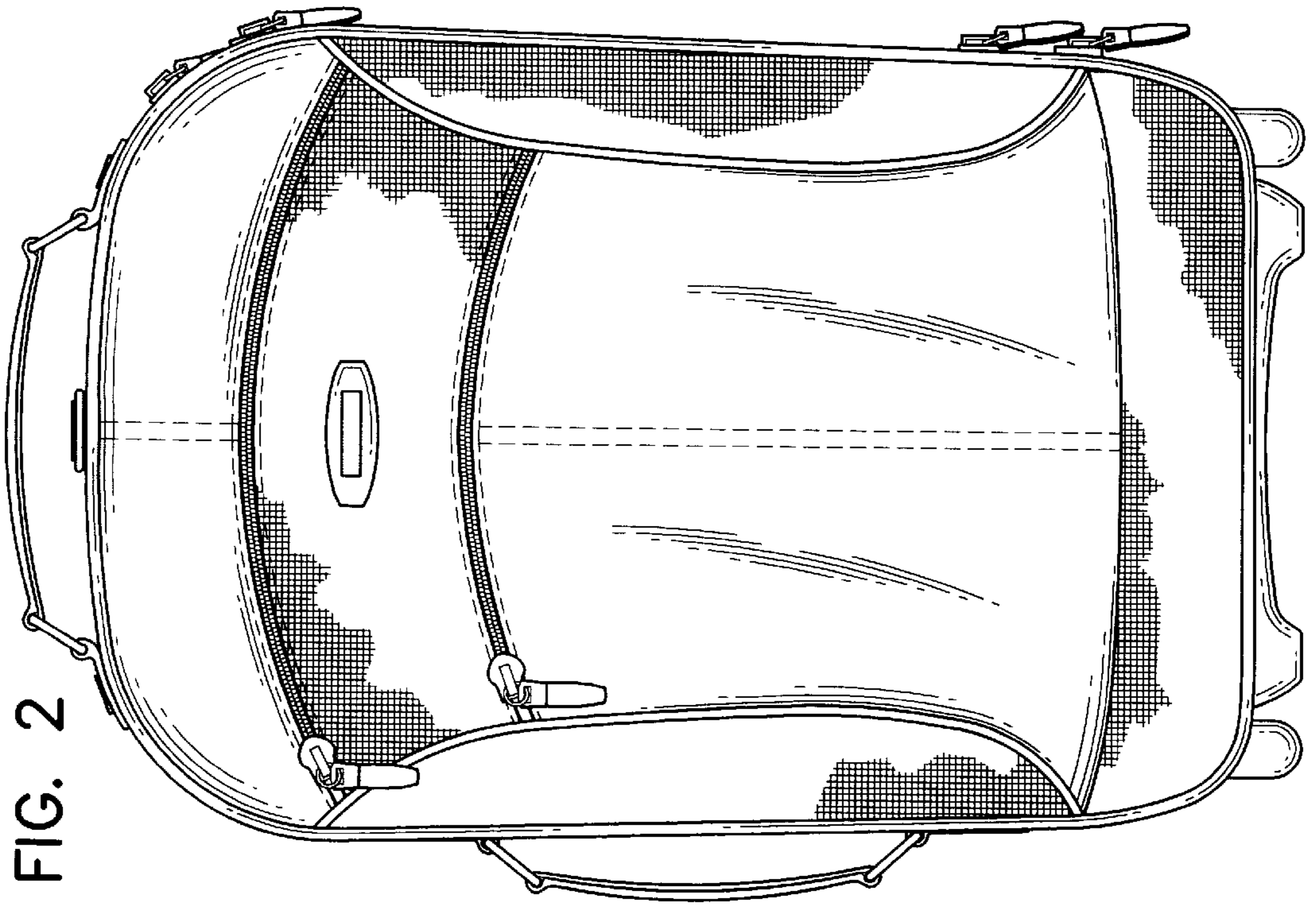


FIG. 2

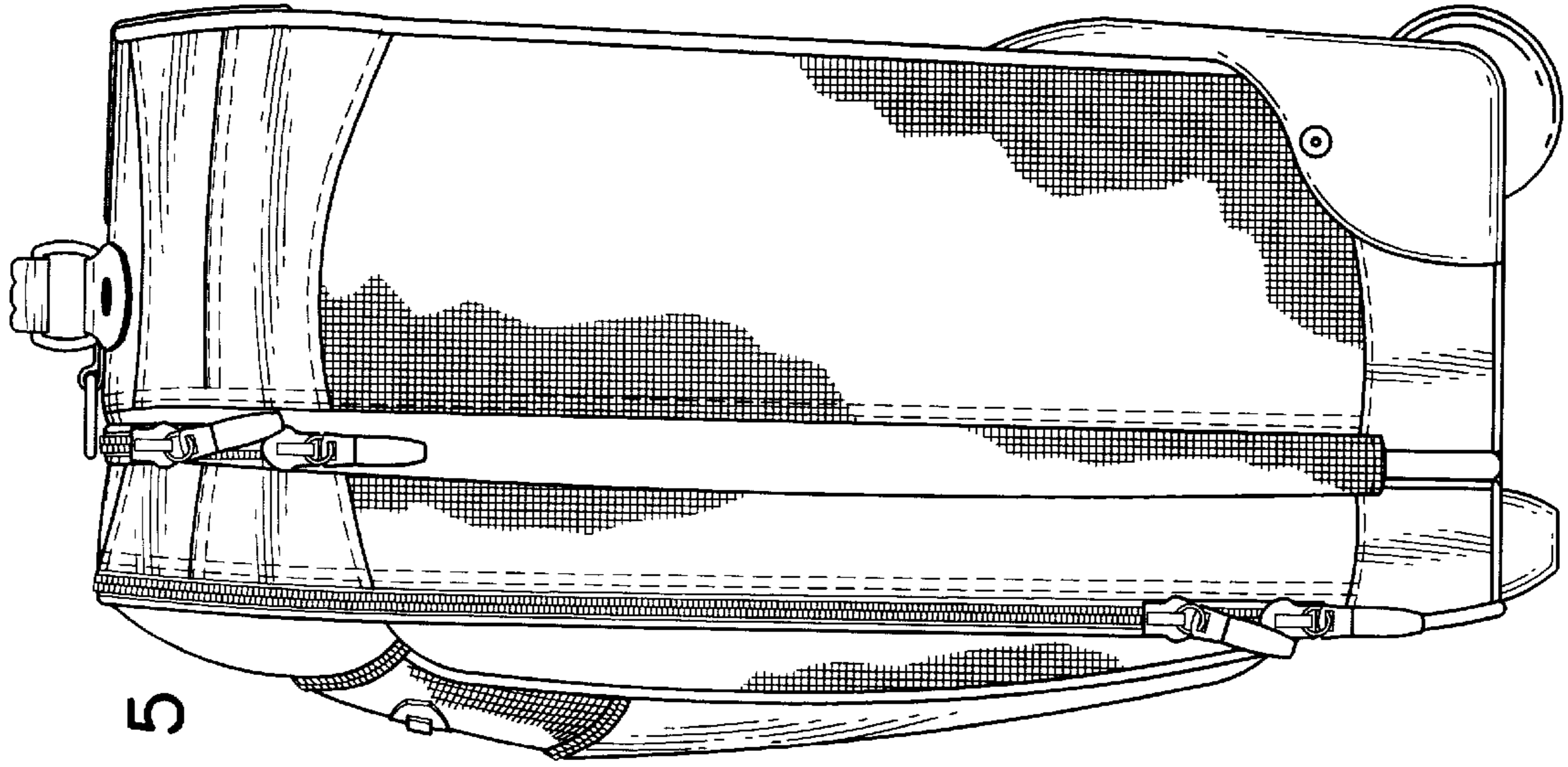


FIG. 5

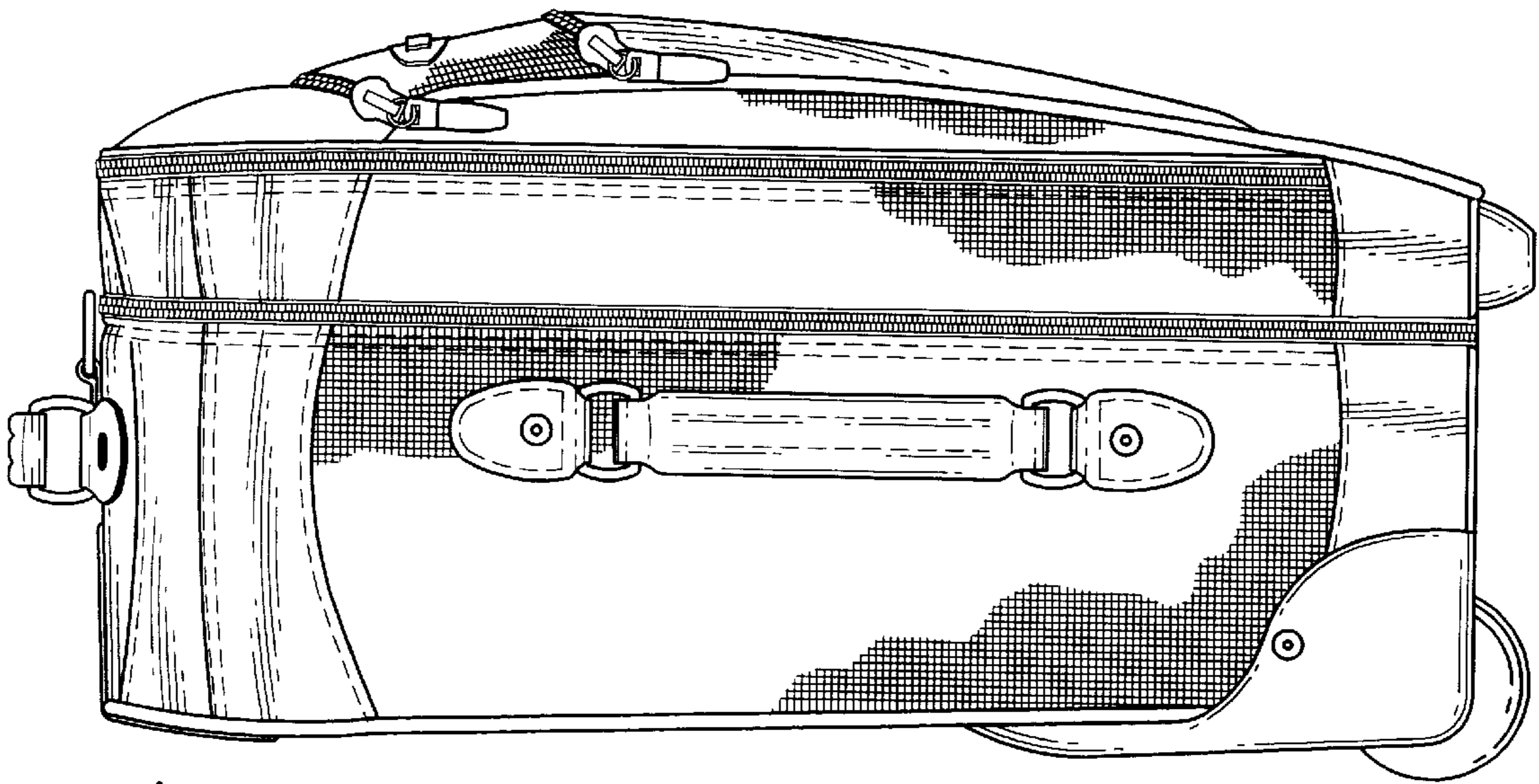


FIG. 4

FIG. 6

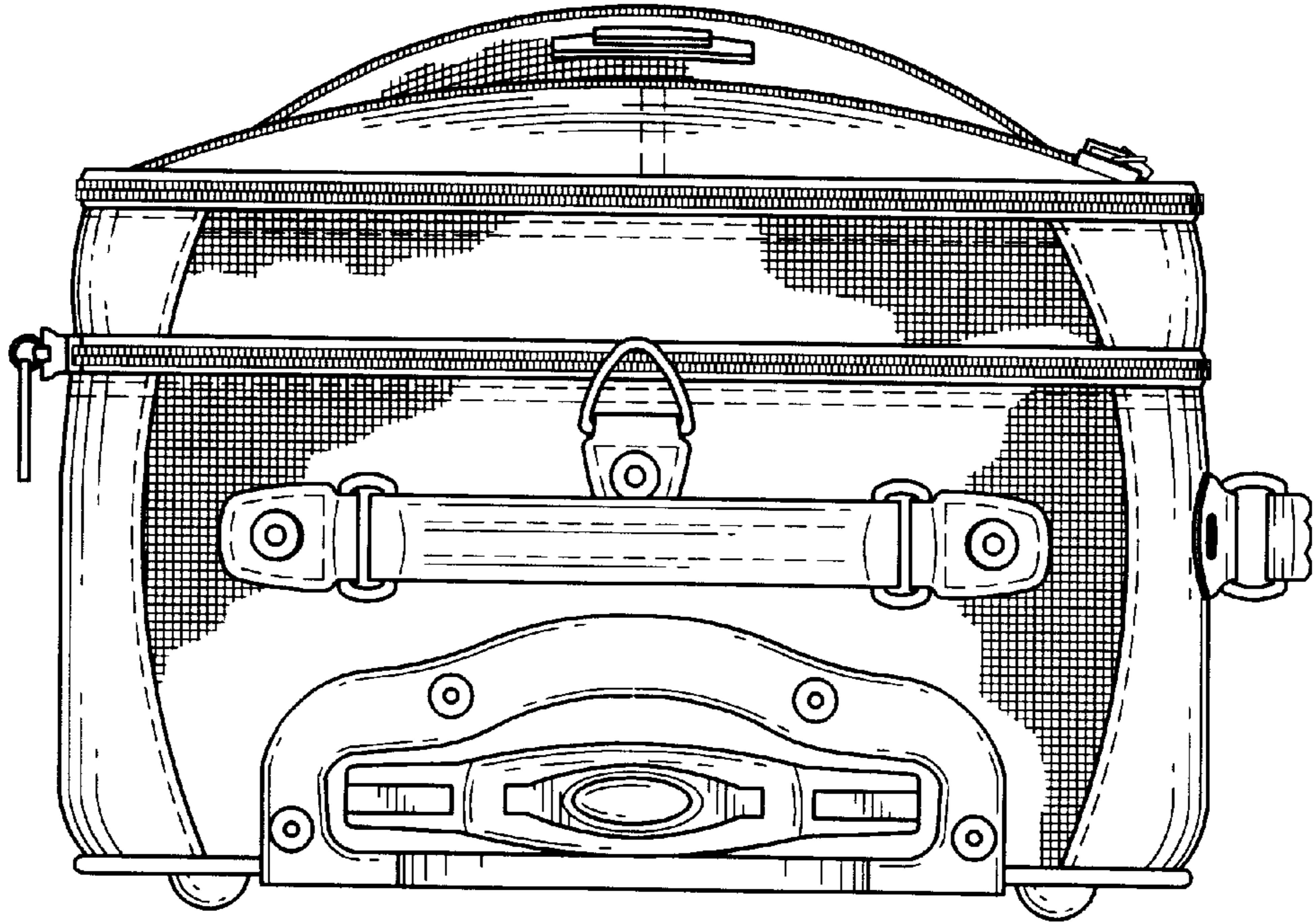


FIG. 7

