



US00D444938S

(12) **United States Design Patent**
Smith

(10) **Patent No.:** **US D444,938 S**

(45) **Date of Patent:** **** Jul. 17, 2001**

(54) **SIDE ELEMENT OF A SHOE UPPER**

D. 406,453 * 3/1999 Mervar D2/972
D. 421,331 * 3/2000 Mervar et al. D2/972

(75) Inventor: **Mark Smith**, Long Beach, CA (US)

* cited by examiner

(73) Assignee: **Vans, Inc.**, Santa Fe Springs, CA (US)

Primary Examiner—Dominic Simone

(**) Term: **14 Years**

(74) *Attorney, Agent, or Firm*—Fish & Richardson P.C.

(21) Appl. No.: **29/132,958**

(57) **CLAIM**

(22) Filed: **Nov. 17, 2000**

The ornamental design for a side element of a shoe upper, as shown and described.

(51) **LOC (7) Cl.** **02-99**

DESCRIPTION

(52) **U.S. Cl.** **D2/972**

(58) **Field of Search** D2/896, 902, 907,
D2/943, 944, 969, 972, 973; 36/45, 50.1,
51, 77 M, 77 R, 81, 83, 88, 113, 114, 126-130

FIG. 1 is a side view of the engagement element showing my new design;

FIG. 2 is a top view thereof;

FIG. 3 is a front view thereof;

FIG. 4 is a rear view thereof;

FIG. 5 is a back side view thereof; and,

FIG. 6 is a bottom view thereof.

(56) **References Cited**

U.S. PATENT DOCUMENTS

- D. 132,351 * 5/1942 Boothby D2/973
- D. 380,079 * 6/1997 Greene D2/972
- D. 386,607 * 11/1997 Selbiger D2/973
- D. 393,343 * 4/1998 Smith D2/972
- D. 393,360 * 4/1998 Aveni et al. D2/972

The dotted line outline of a shoe upper and a shoe sole in FIG. 1 is for illustrative purposes only and forms no part of the claimed design.

1 Claim, 2 Drawing Sheets

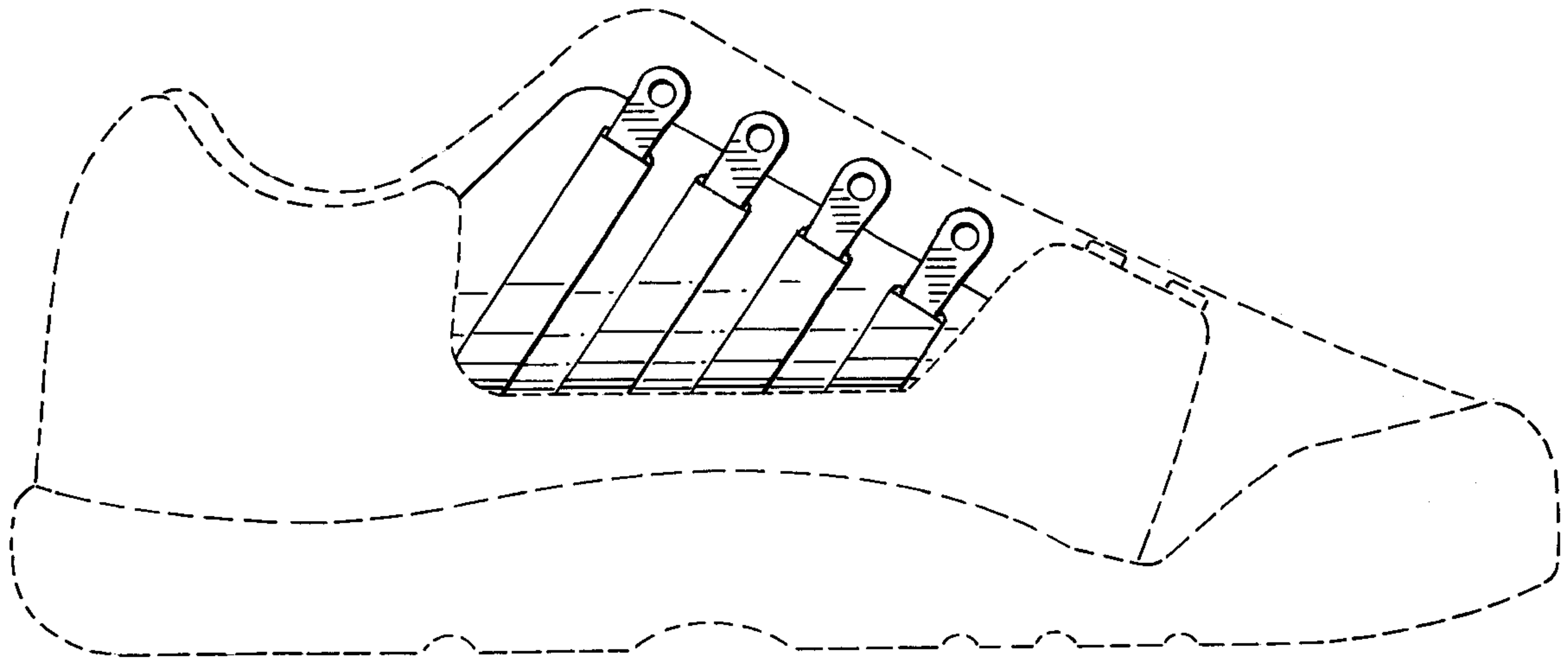


FIG. 1

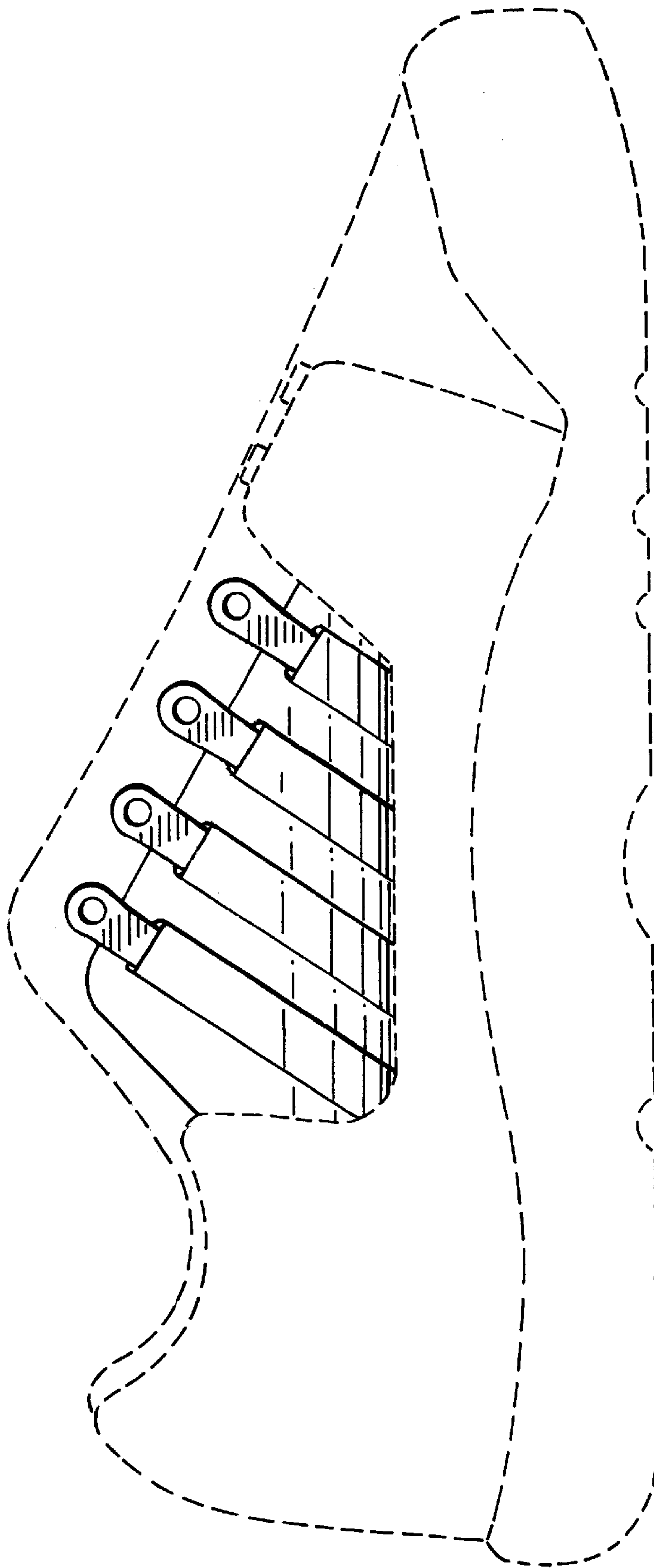


FIG. 2



FIG. 3



FIG. 4

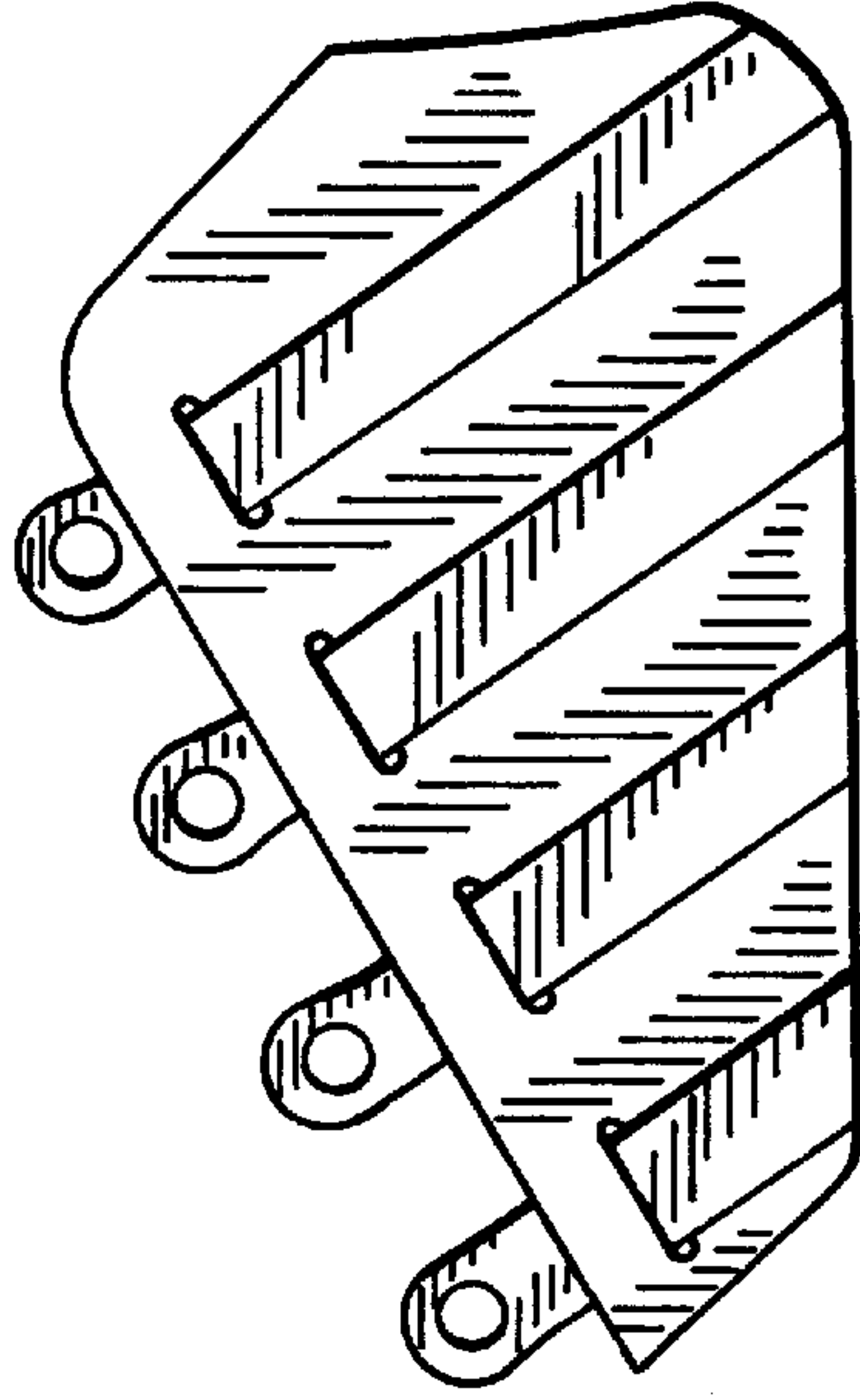


FIG. 5



FIG. 6