



US00D444933S

(12) **United States Design Patent**  
**Parker**

(10) **Patent No.:** **US D444,933 S**

(45) **Date of Patent:** **\*\* Jul. 10, 2001**

(54) **CREMATION REMAINS CONTAINER**

(75) Inventor: **Daniel J. Parker**, Connerville, IN  
(US)

(73) Assignee: **Batesville Services, Inc.**, Batesville, IN  
(US)

(\*\*) Term: **14 Years**

(21) Appl. No.: **29/128,690**

(22) Filed: **Aug. 29, 2000**

(51) **LOC (7) Cl.** ..... **99-00**

(52) **U.S. Cl.** ..... **D99/5; D99/24**

(58) **Field of Search** ..... D99/1, 2, 3, 4,  
D99/5; D30/123; 119/69.5, 72, 74; 27/1,  
2, 3, 4, 5, 6, 17, 21, 24; D11/143

(56) **References Cited**

**U.S. PATENT DOCUMENTS**

- 3,370 12/1843 Gardner .
- D. 40,017 \* 5/1909 Stults ..... D99/24
- D. 85,087 9/1931 Clark .
- D. 85,698 12/1931 Holzworth .
- D. 87,176 6/1932 Treiber .
- D. 113,887 3/1939 West .
- D. 123,111 \* 10/1940 Landon ..... D30/123
- D. 169,347 4/1953 Woodward .
- D. 201,132 5/1965 Lawrence .
- D. 268,374 3/1983 Dercks et al. .
- D. 344,839 3/1994 May et al. .
- D. 345,848 4/1994 May et al. .
- D. 347,924 \* 6/1994 Yurk ..... D99/5
- D. 356,421 3/1995 Parker .
- D. 356,422 3/1995 Parker .
- D. 360,732 7/1995 Parker .
- D. 370,766 6/1996 Parker .
- D. 370,767 6/1996 Parker .
- D. 370,768 6/1996 Parker .
- D. 374,842 \* 10/1996 Poor et al. .... D11/143
- D. 395,121 \* 6/1998 Eickhof ..... D99/5
- D. 398,132 9/1998 Thesken .
- D. 424,275 5/2000 Parker et al. .

- 849,683 4/1907 Hewitt .
- 1,940,771 12/1933 Prier .
- 2,075,859 4/1937 Martin .
- 2,777,233 1/1957 Brandhorst .
- 3,486,234 12/1969 Waterman .

(List continued on next page.)

**OTHER PUBLICATIONS**

- Woodstock Chimes, *Instruments of Nature*, 20 pages, ©1996.
- Virginia Metalcrafters, *In the Garden*, 20 pages, ©1997.
- Woodstock Chimes, *Instruments of Nature*, 6 pages, ©1995.
- Woodstock Chimes, *Presenting six new ways to go around the world of music*, 6 pages, ©1997.
- Virginia Metalcrafters, *Catalog*, 10 pages, ©1994.
- Unknown, *Planter Box*, grey, two leaves, 1 page, undated.
- Unknown, *Planter Box*, brown, two leaves, 1 page, undated.
- Unknown, *Wall Fountain*, 1 page, undated.
- Virginia Metalcrafters, *Catalog*, Latticework Wall Fountain, 1 page, Spring 1996.
- DiscountUrns.com Inc., *Pet Sundial Cremation Urn*, 2 web site screen print-outs, ©1998-1999.

*Primary Examiner*—Paula A. Mortimer  
(74) *Attorney, Agent, or Firm*—Wood, Herron & Evans, L.L.P.

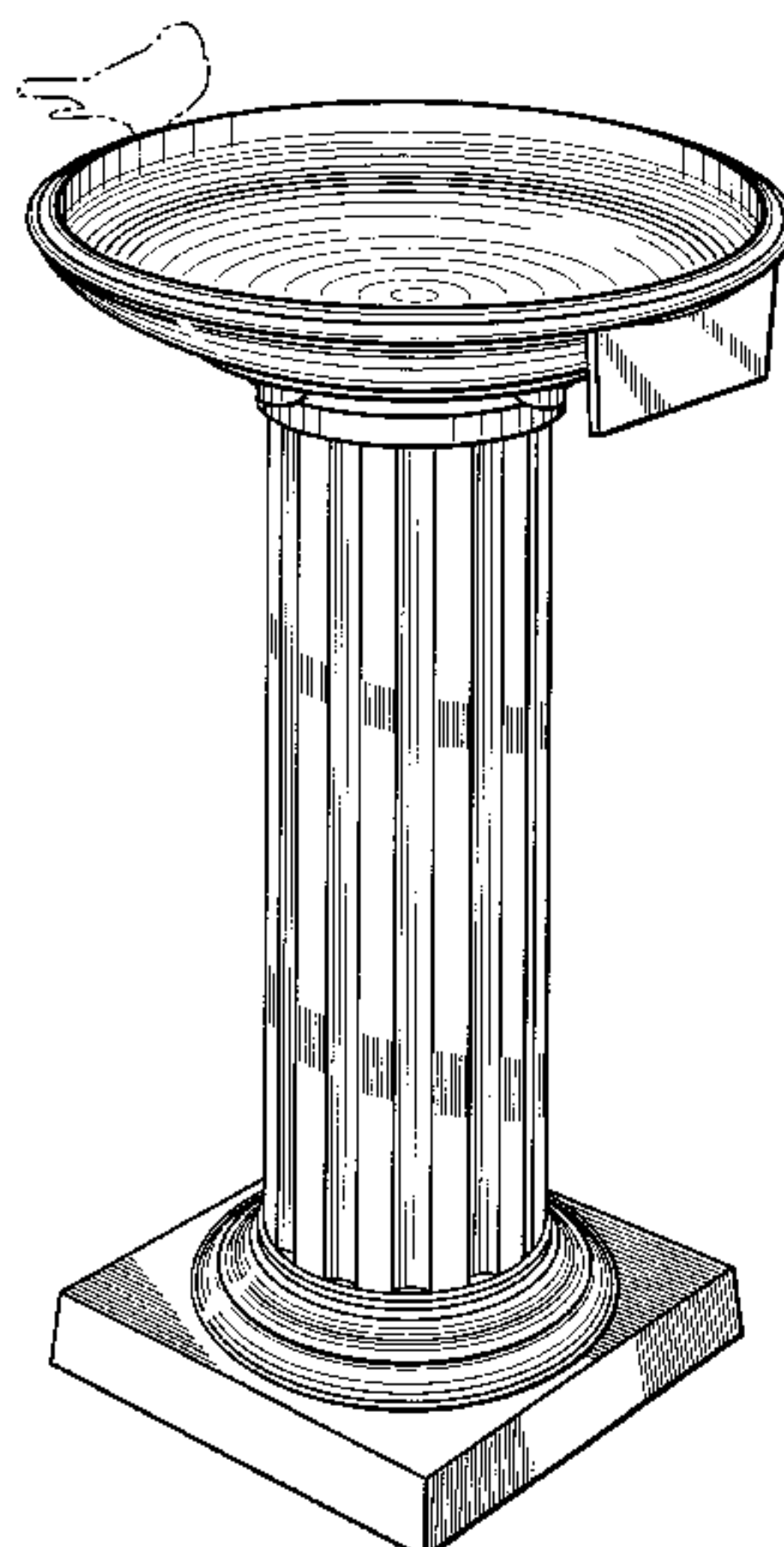
(57) **CLAIM**

The ornamental design for a cremation remains container, as shown and described.

**DESCRIPTION**

FIG. 1 is a front perspective view of my new, original and ornamental design for a cremation remains container; FIG. 2 is a front view thereof; FIG. 3 is a left side view thereof; FIG. 4 is a rear view thereof; FIG. 5 is a right side view thereof; FIG. 6 is a top view thereof; and, FIG. 7 is a bottom view thereof.

**1 Claim, 6 Drawing Sheets**



# US D444,933 S

Page 2

---

## U.S. PATENT DOCUMENTS

3,648,659	*	3/1972	Jones .....	119/69.5	5,197,603	3/1993	Lundberg .
3,829,980		8/1974	Iversen .		5,208,957	5/1993	Hereford .
3,832,842		9/1974	Parker .		5,230,127	7/1993	Zukowski et al. .
4,324,026		4/1982	Craft .		5,287,603	2/1994	Schorman .
4,648,162		3/1987	Daino .		5,647,108	7/1997	Crook .
4,977,652		12/1990	Graham .		5,729,921	3/1998	Rojas .
5,029,373		7/1991	Raymond .		5,966,868	10/1999	Cox .

\* cited by examiner

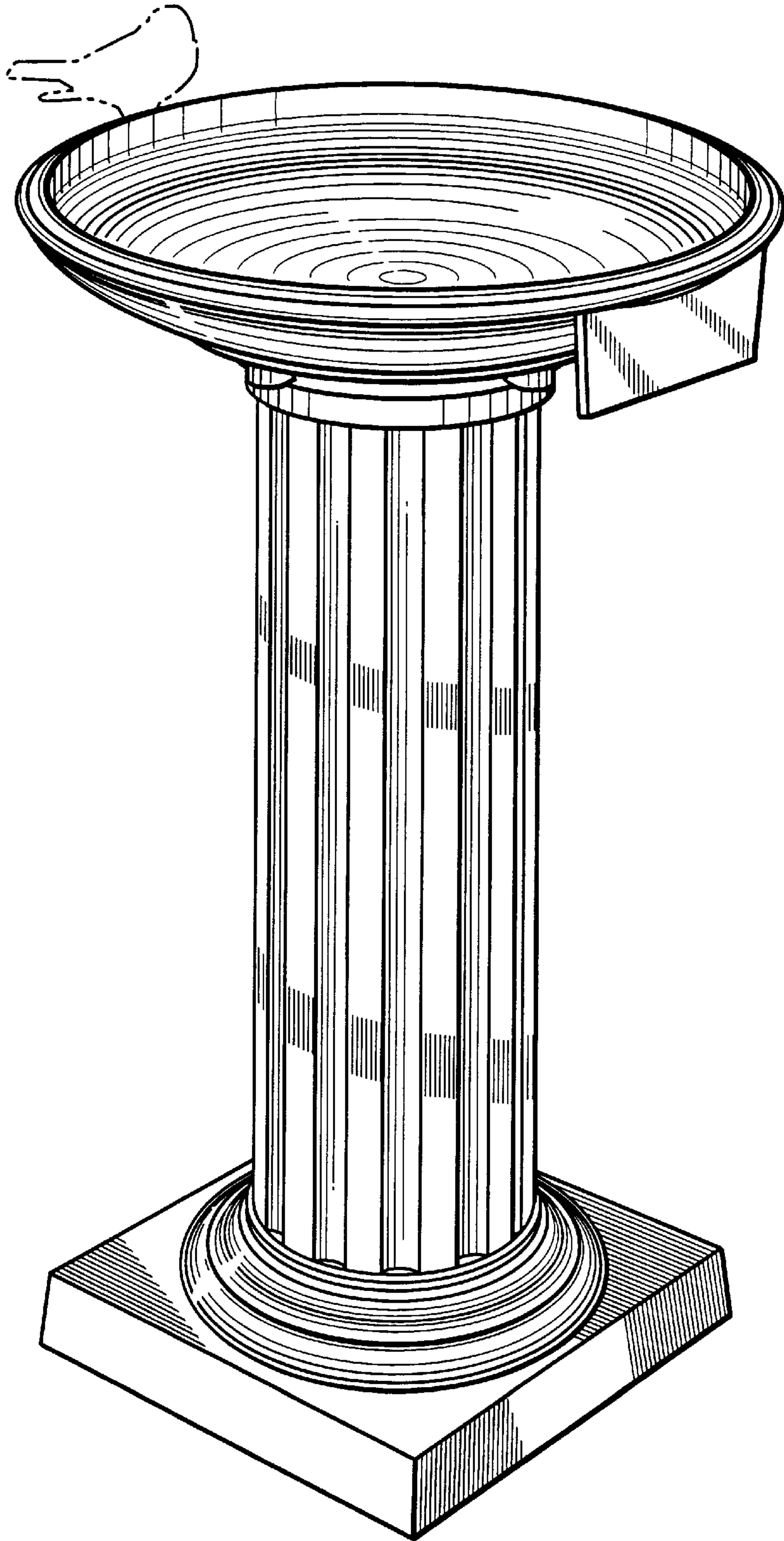


FIG. 1

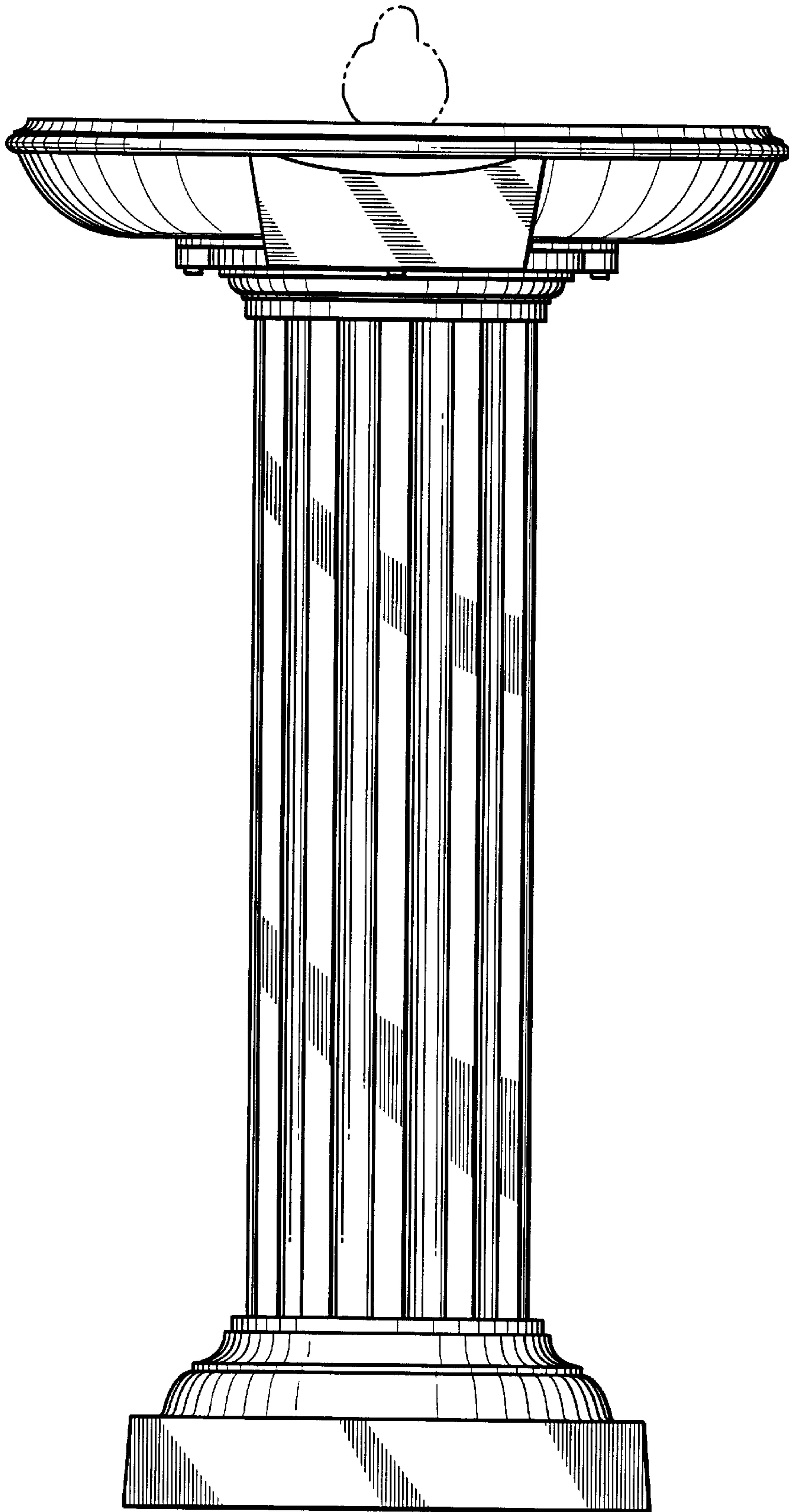


FIG. 2

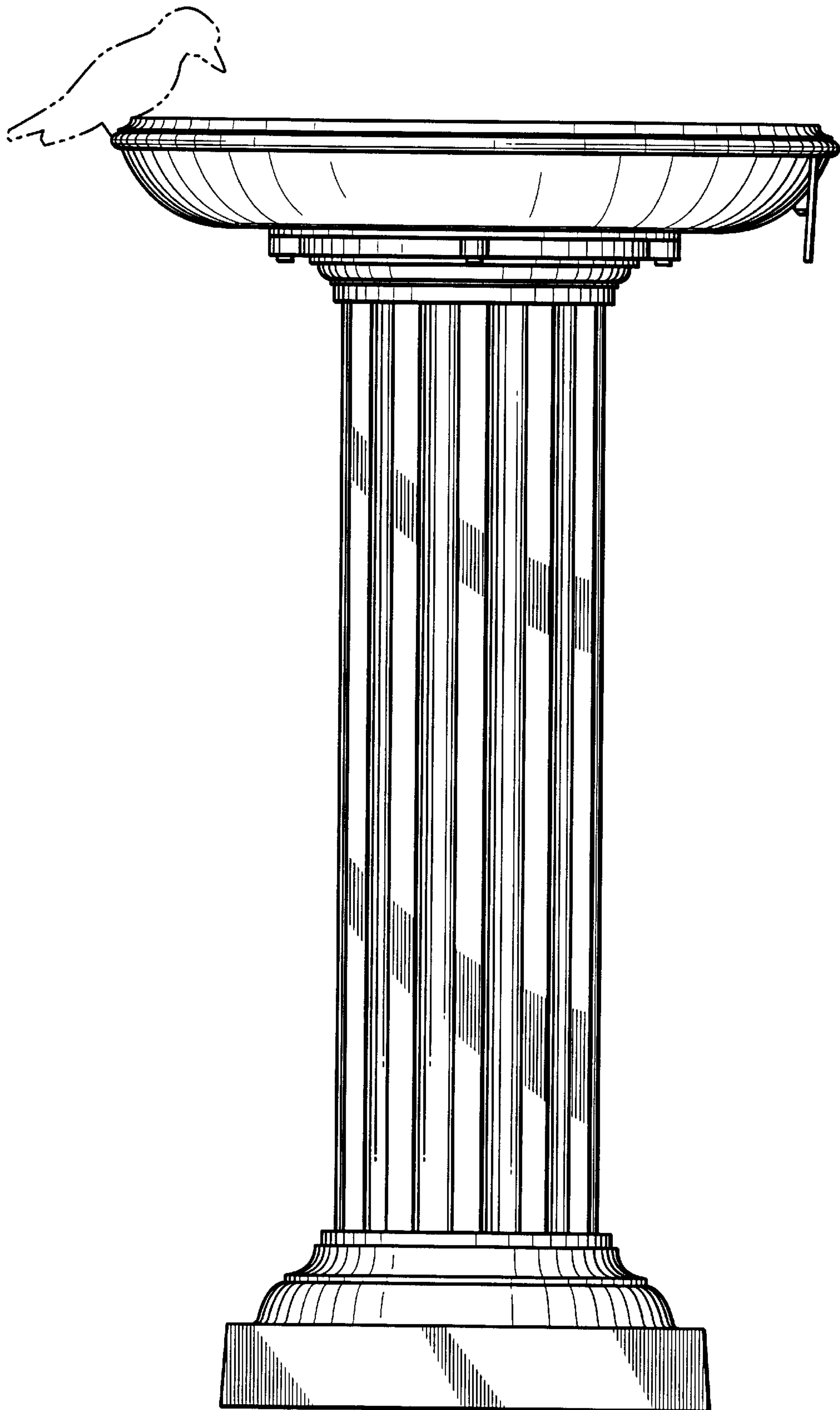


FIG. 3



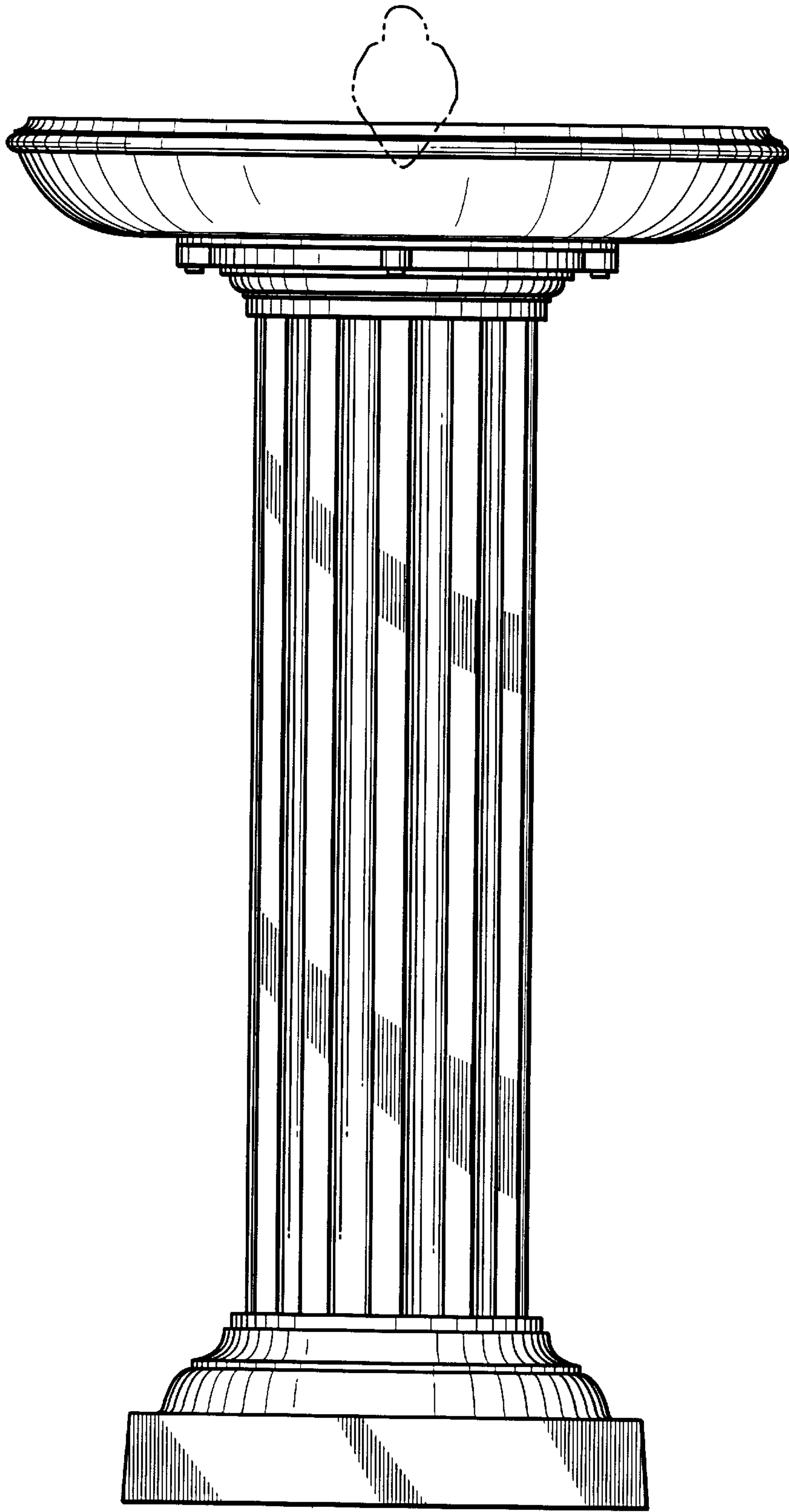


FIG. 4

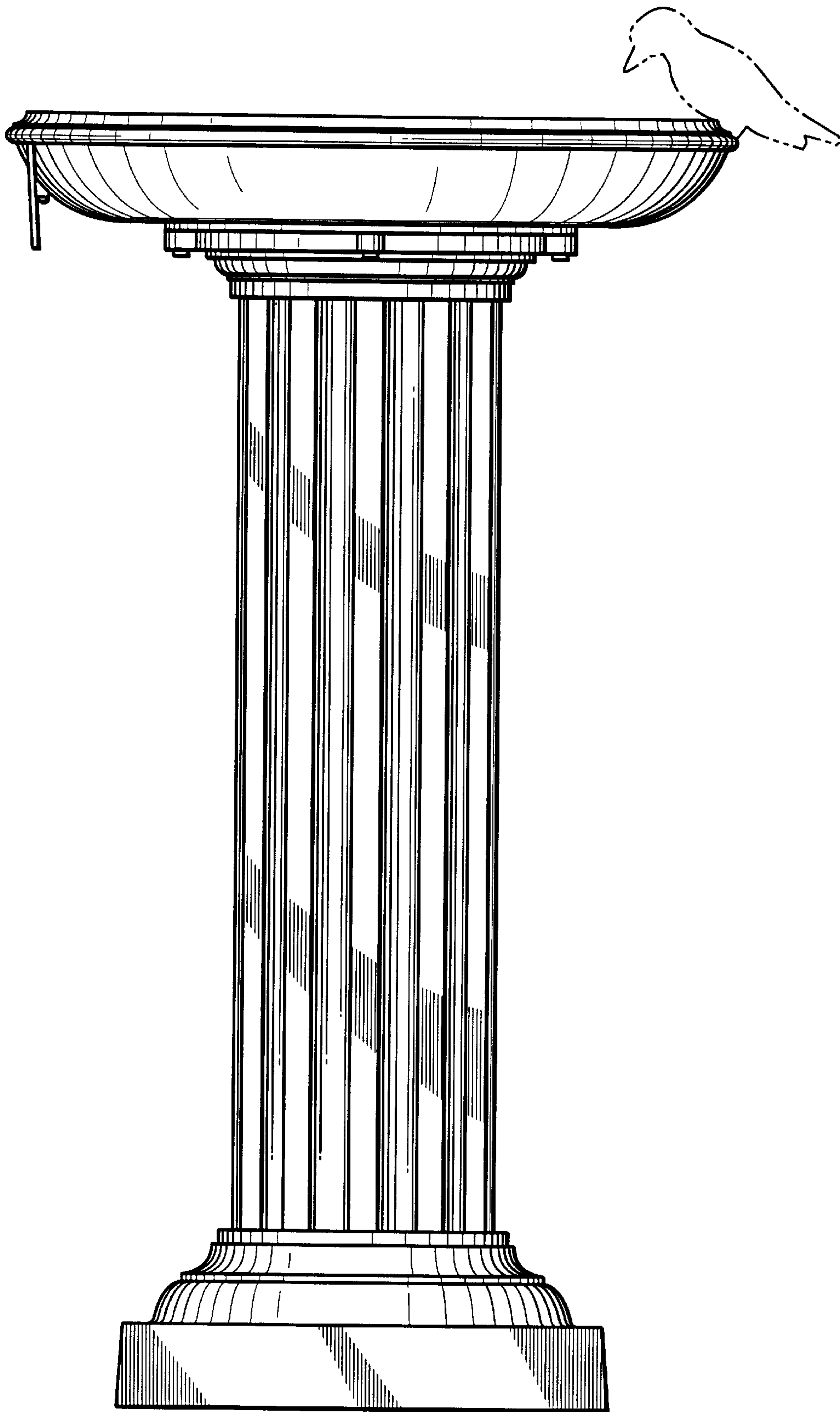


FIG. 5

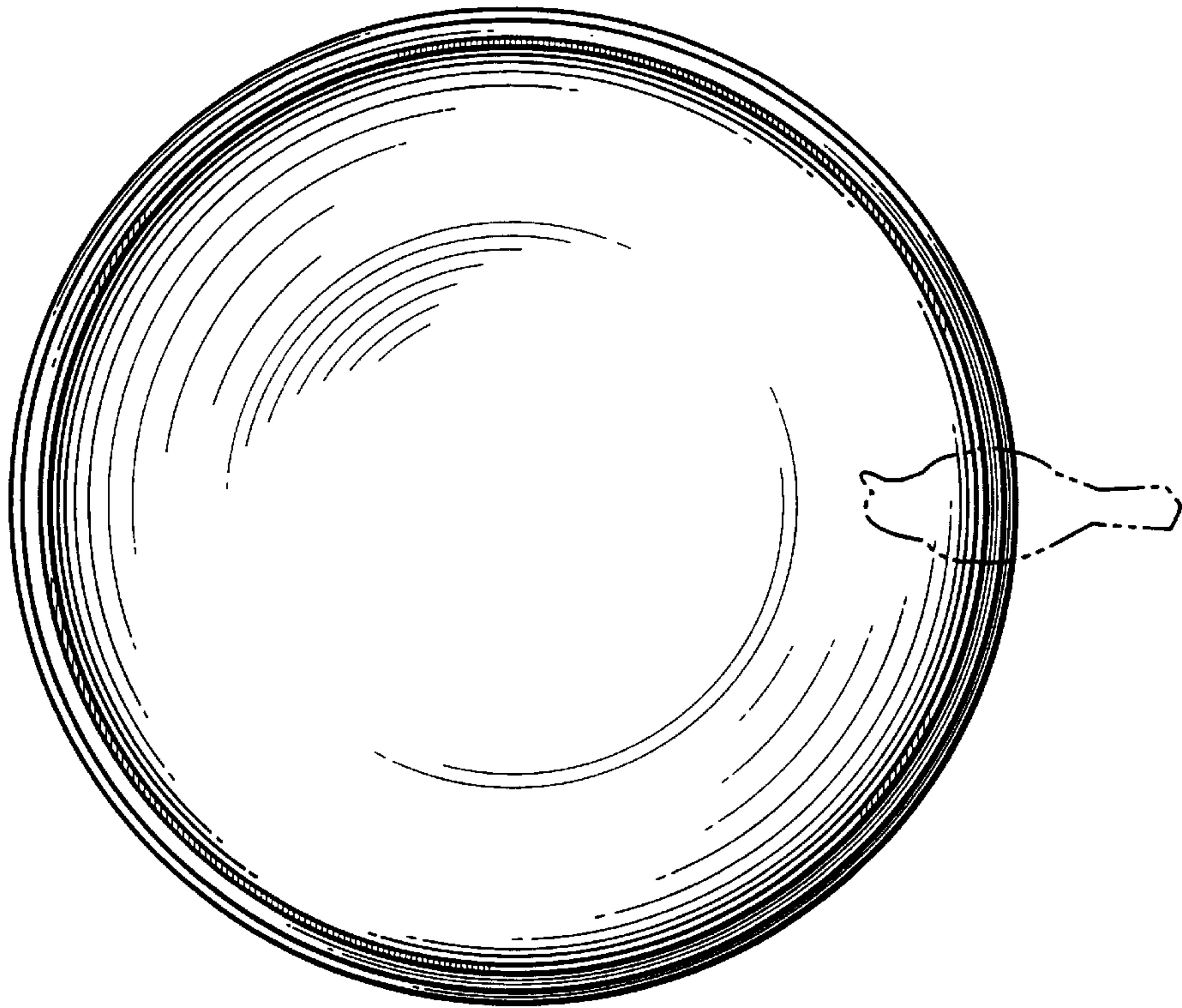


FIG. 6

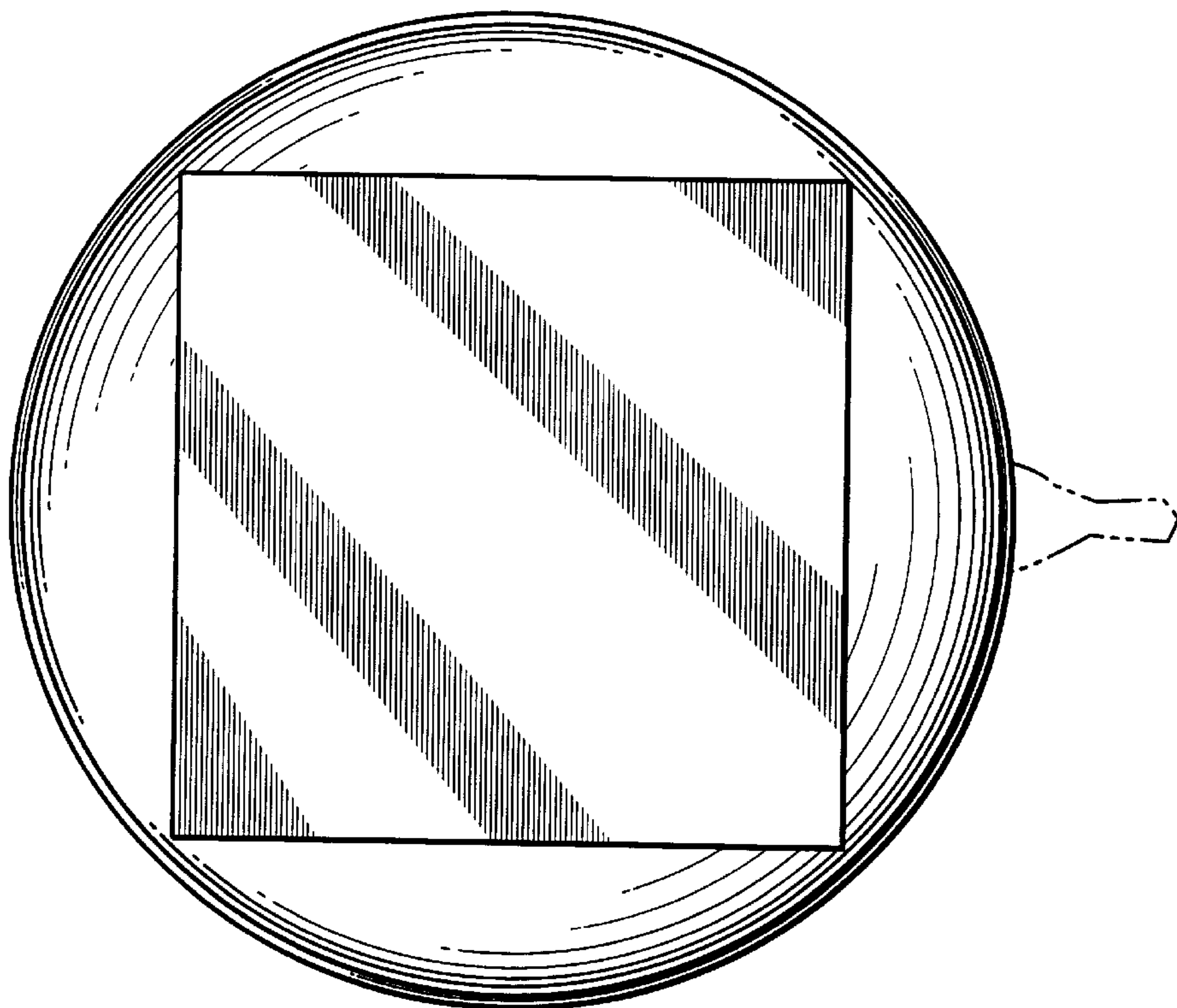


FIG. 7