



US00D444932S

(12) **United States Design Patent**
Greiwe et al.

(10) **Patent No.:** **US D444,932 S**

(45) **Date of Patent:** **** Jul. 10, 2001**

(54) **CREMATION URN**

(75) Inventors: **John Greiwe**, Batesville; **Rodger Jones**, Indianapolis; **Chris Lowery**, Batesville; **Daniel J. Parker**, Connersville, all of IN (US); **Mark Thesken**, Cincinnati, OH (US)

(73) Assignee: **Batesville Services, Inc.**, Batesville, IN (US)

(**) Term: **14 Years**

(21) Appl. No.: **29/124,141**

(22) Filed: **May 31, 2000**

(51) **LOC (7) Cl.** **99-00**

(52) **U.S. Cl.** **D99/5**

(58) **Field of Search** D99/1-5, 17; D9/432; D6/329, 396, 449, 470; 27/1, 2, 35; 220/495.06, 908; 312/204, 302, 328, 319.9

(56) **References Cited**

U.S. PATENT DOCUMENTS

- D. 263,088 2/1982 Krech .
- D. 268,374 3/1983 Dercks et al. .
- D. 268,375 3/1983 Dercks et al. .
- D. 275,916 * 10/1984 Brandel D6/436
- D. 350,010 8/1994 May et al. .
- D. 359,831 6/1995 Parker .

- D. 421,672 * 3/2000 Thesken D99/5
- D. 433,209 * 10/2000 Baldwin et al. D99/5
- D. 436,757 * 1/2001 Hutton D6/470 X
- 4,324,026 4/1982 Craft .
- 4,648,162 3/1987 Daino .
- 5,090,785 * 2/1992 Stamp 312/319.9
- 5,230,127 7/1993 Zukowski et al. .
- 5,287,603 2/1994 Schorman .
- 5,611,124 3/1997 Biondo et al. .

* cited by examiner

Primary Examiner—Paula A. Mortimer

(74) *Attorney, Agent, or Firm*—Wood, Herron & Evans, L.L.P.

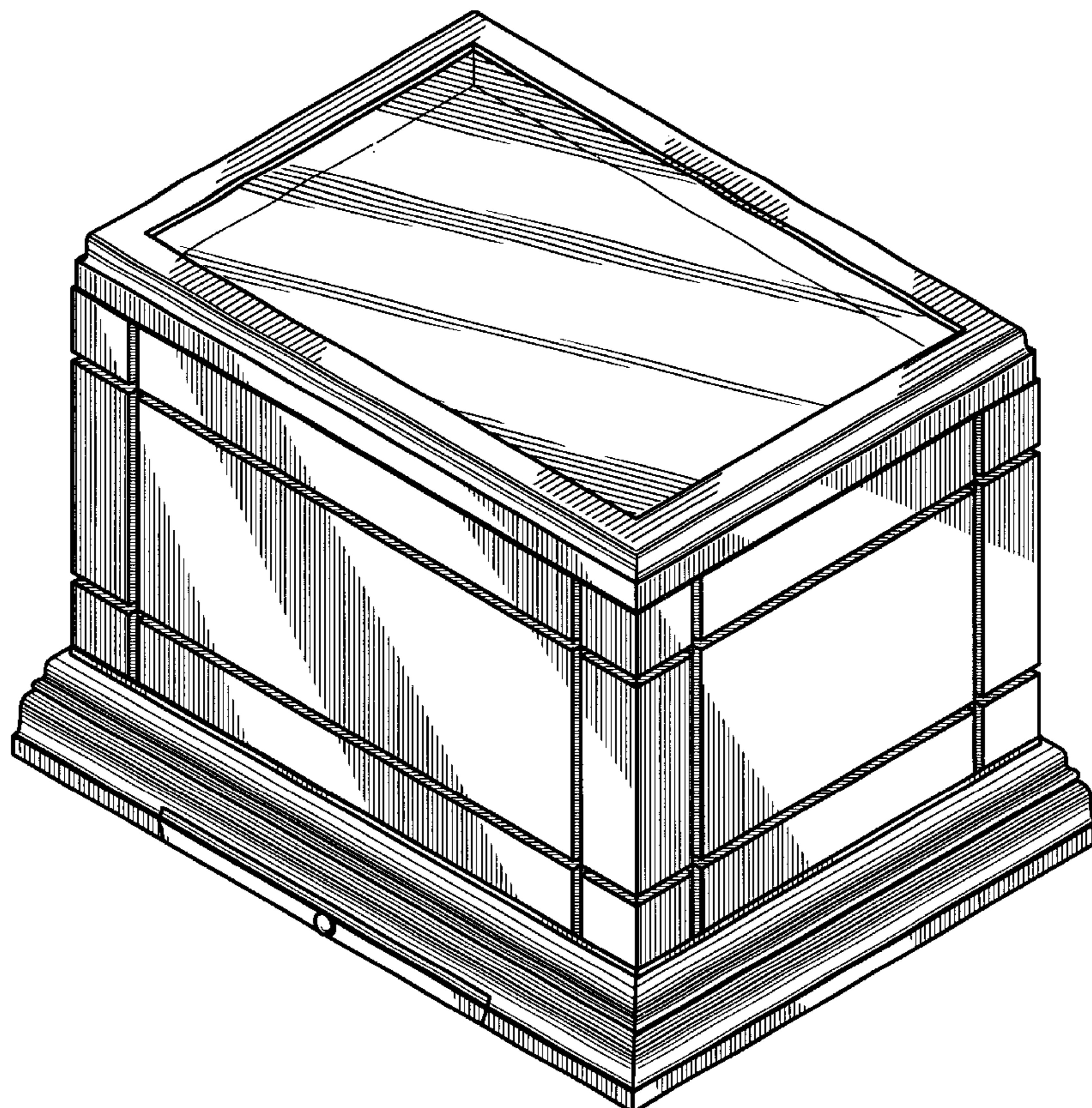
(57) **CLAIM**

The ornamental design for a cremation urn, as shown and described.

DESCRIPTION

FIG. 1 is a perspective view of my new, original and ornamental design for a cremation urn;
 FIG. 2 is a front view thereof;
 FIG. 3 is a side view thereof, the other side being a mirror image thereof;
 FIG. 4 is a rear view thereof;
 FIG. 5 is a top view thereof; and,
 FIG. 6 is a bottom view thereof.

1 Claim, 3 Drawing Sheets



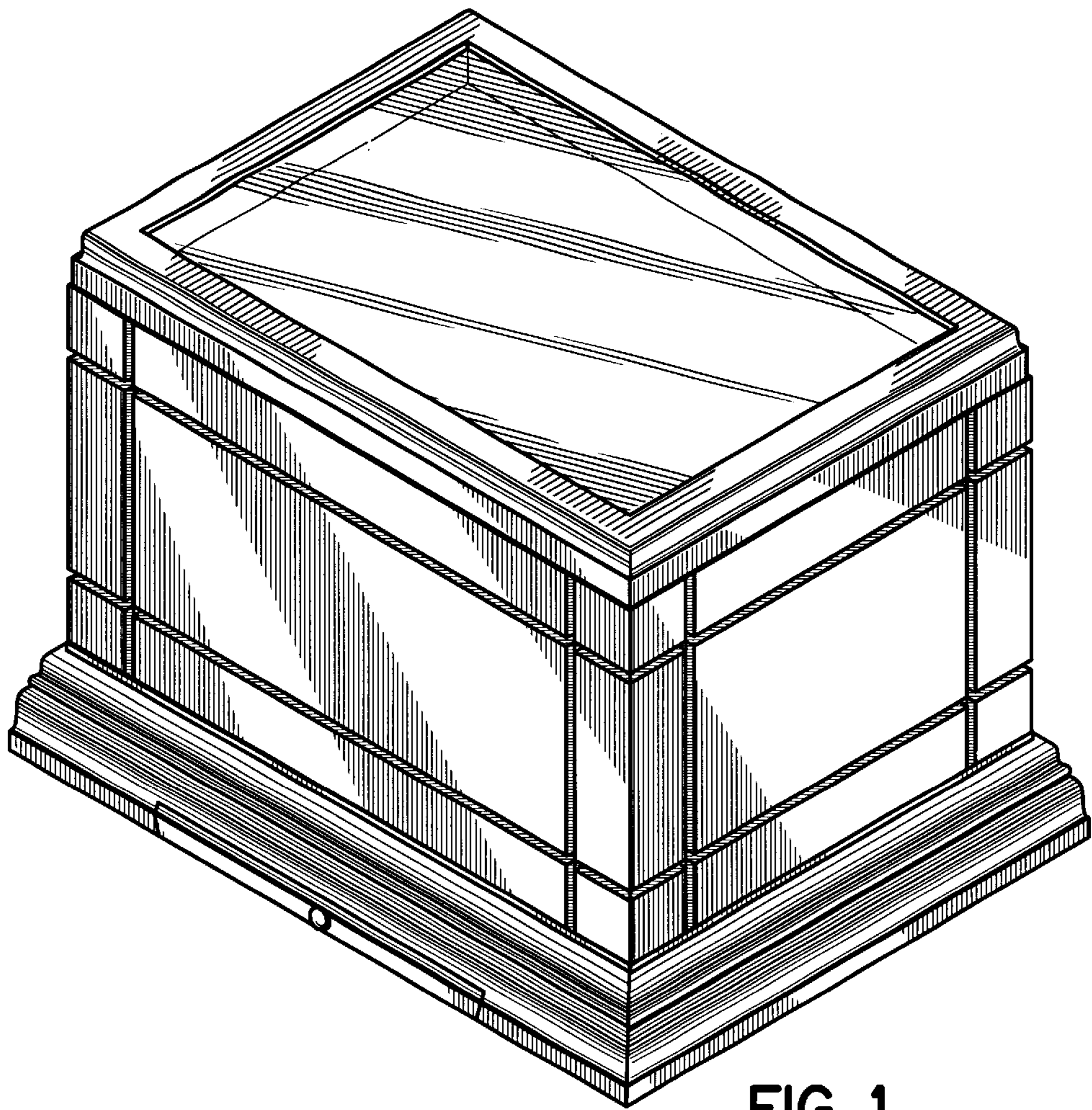


FIG. 1

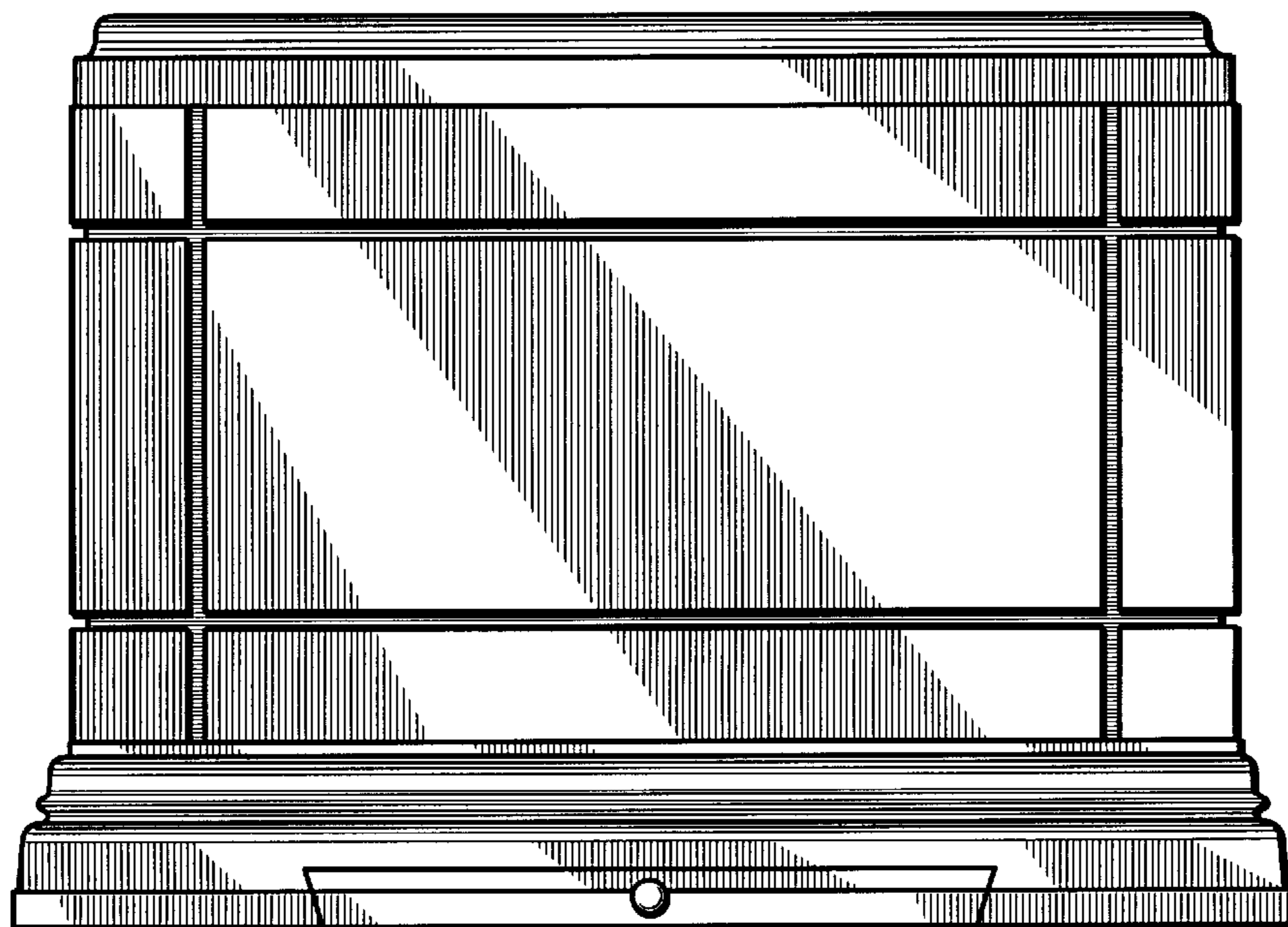


FIG. 2

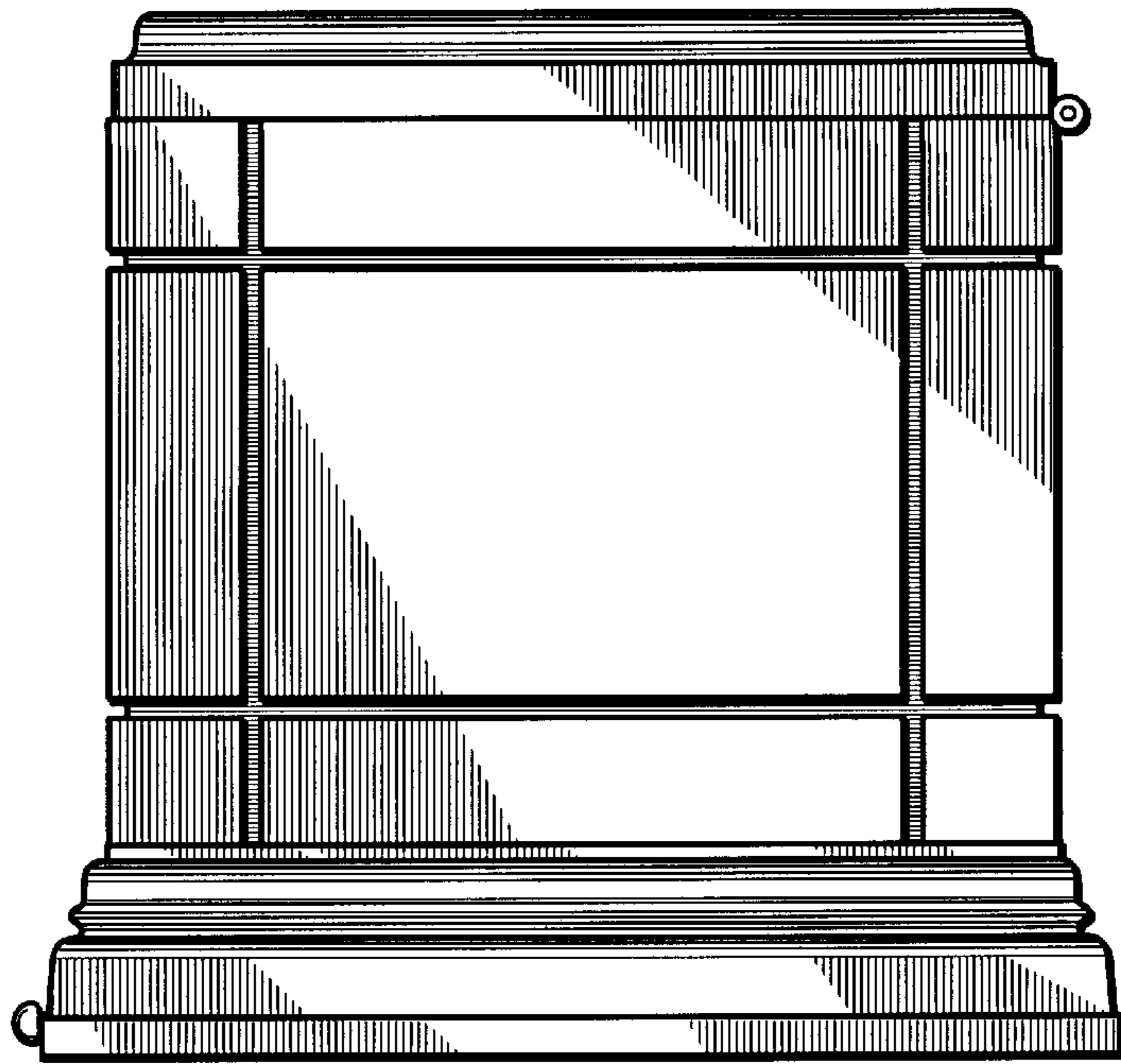


FIG. 3

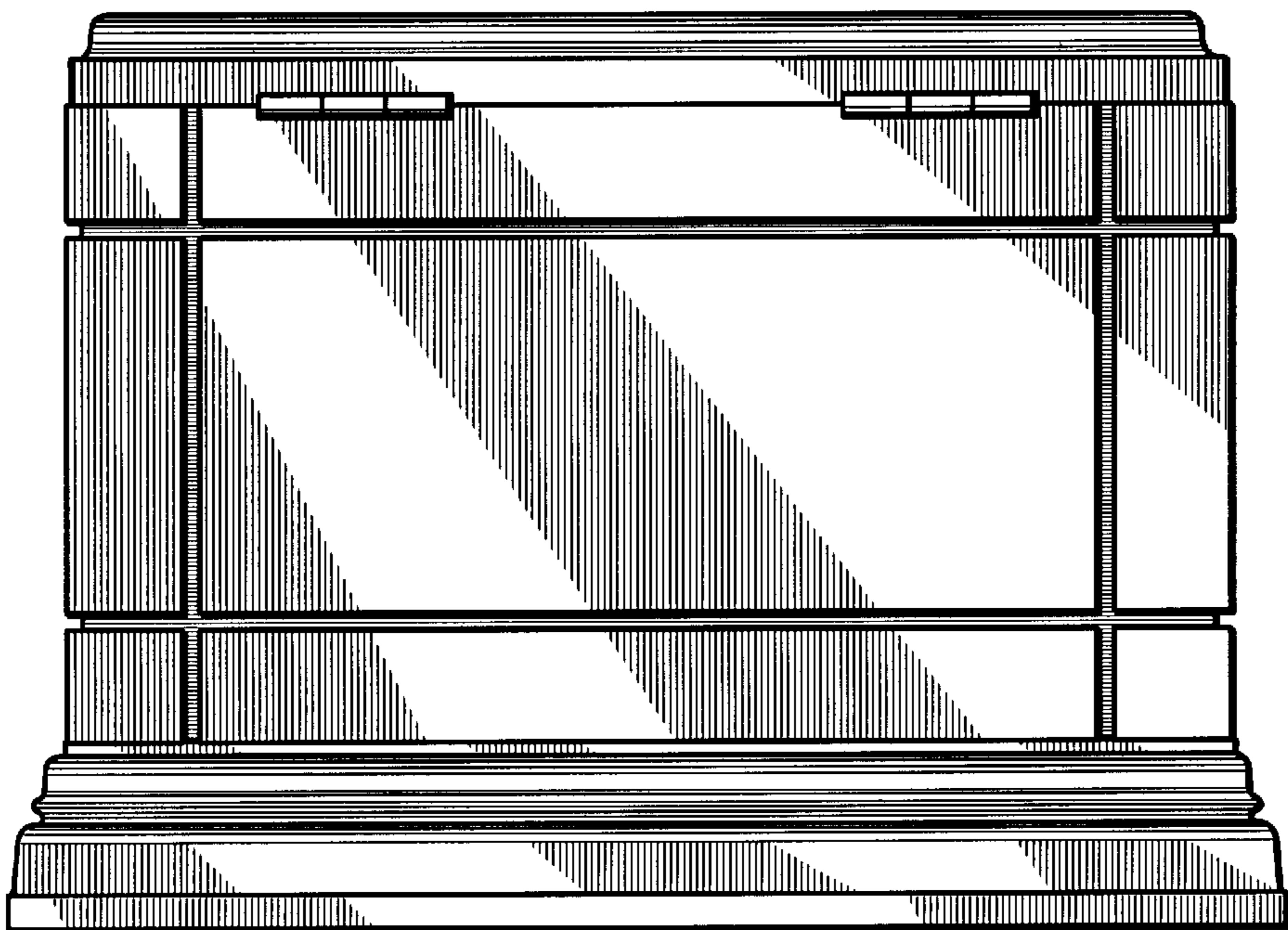


FIG. 4

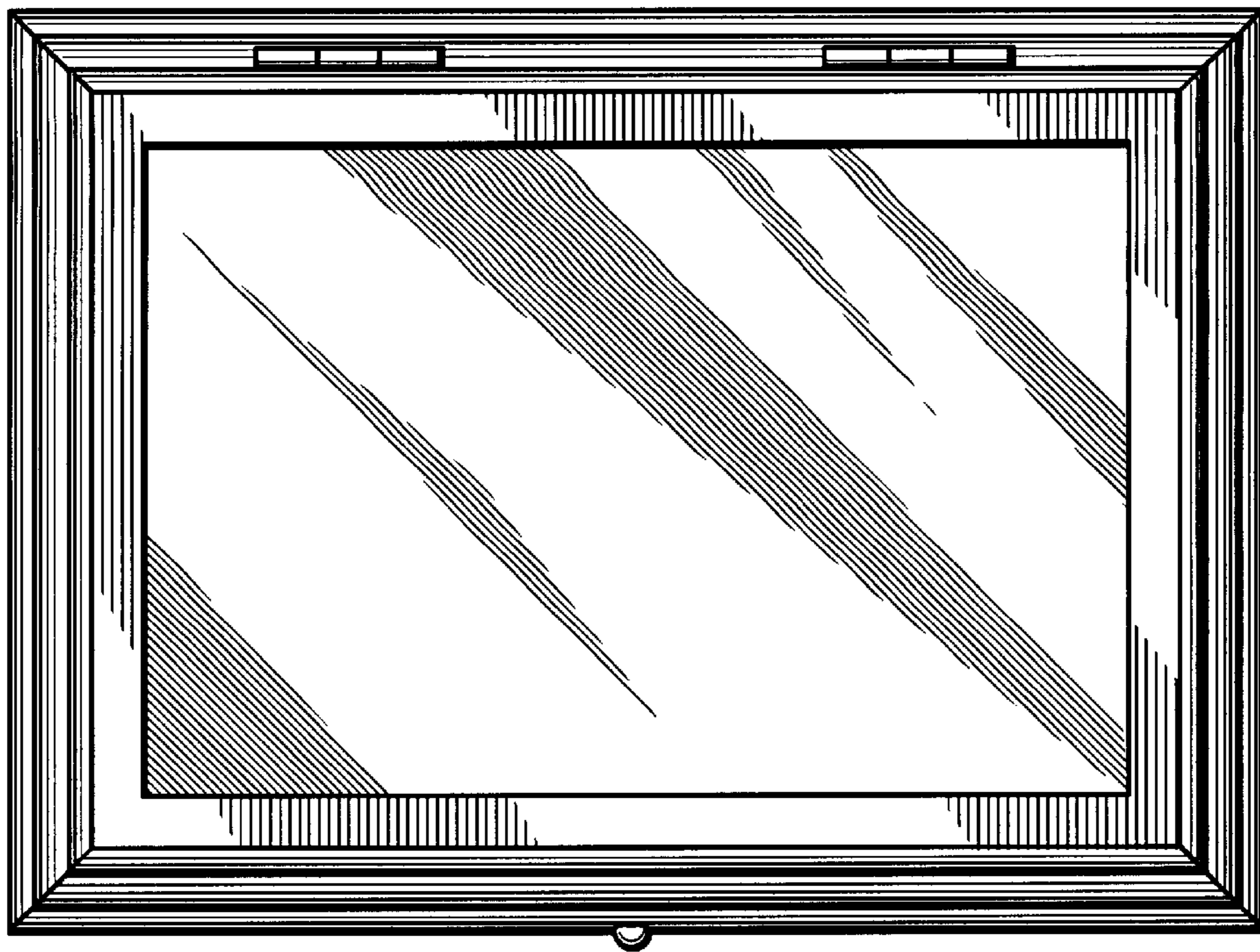


FIG. 5

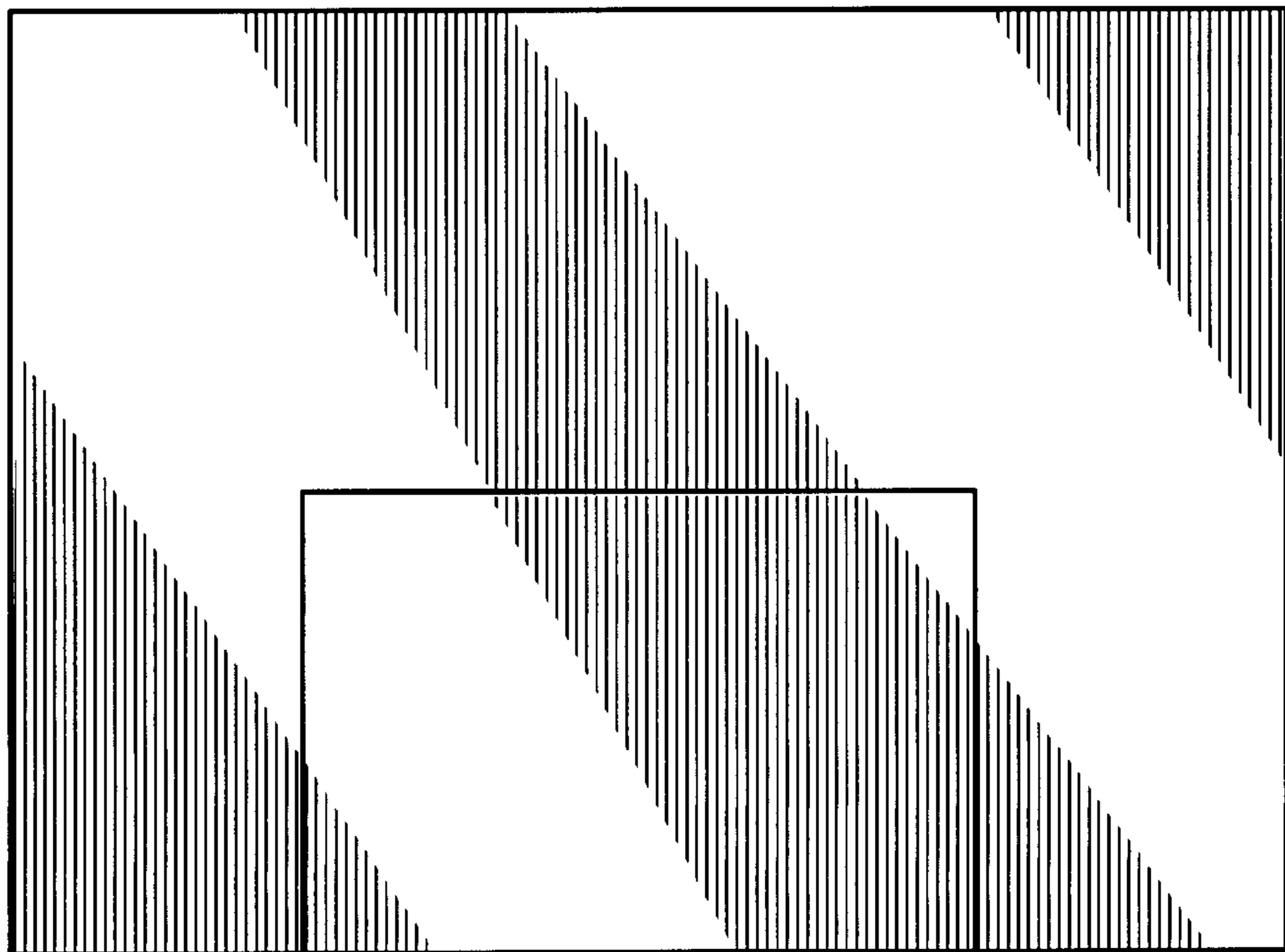


FIG. 6