



US00D444929S

(12) **United States Design Patent**  
**Cox**

(10) **Patent No.:** **US D444,929 S**

(45) **Date of Patent:** **\*\* Jul. 10, 2001**

(54) **PAINT BUCKET WITH BRUSH WIPING LIP AND FINGER GRIP**

5,482,339	1/1996	Chishko .	
5,549,216	8/1996	Scholl .	
5,655,805	8/1997	Shaddy .	
5,810,196	9/1998	Lundy .	
6,138,963	* 10/2000	Malvasio .....	220/697

(76) **Inventor:** **Gary D. Cox**, 2713 B. Westhaven Cir.,  
Amarillo, TX (US) 79109-3302

(\*\*) **Term:** **14 Years**

\* cited by examiner

*Primary Examiner*—Robin V. Taylor

(21) **Appl. No.:** **29/126,482**

(74) *Attorney, Agent, or Firm*—Norman B. Rainer

(22) **Filed:** **Jul. 18, 2000**

(57) **CLAIM**

(51) **LOC (7) Cl.** ..... **07-07**

The ornamental design for a paint bucket with brush wiping lip and finger grip, as shown and described.

(52) **U.S. Cl.** ..... **D32/53.1; D7/536**

(58) **Field of Search** ..... D32/53, 53.1,  
D32/54; 220/694, 695, 697; 15/264; D7/533,  
536

**DESCRIPTION**

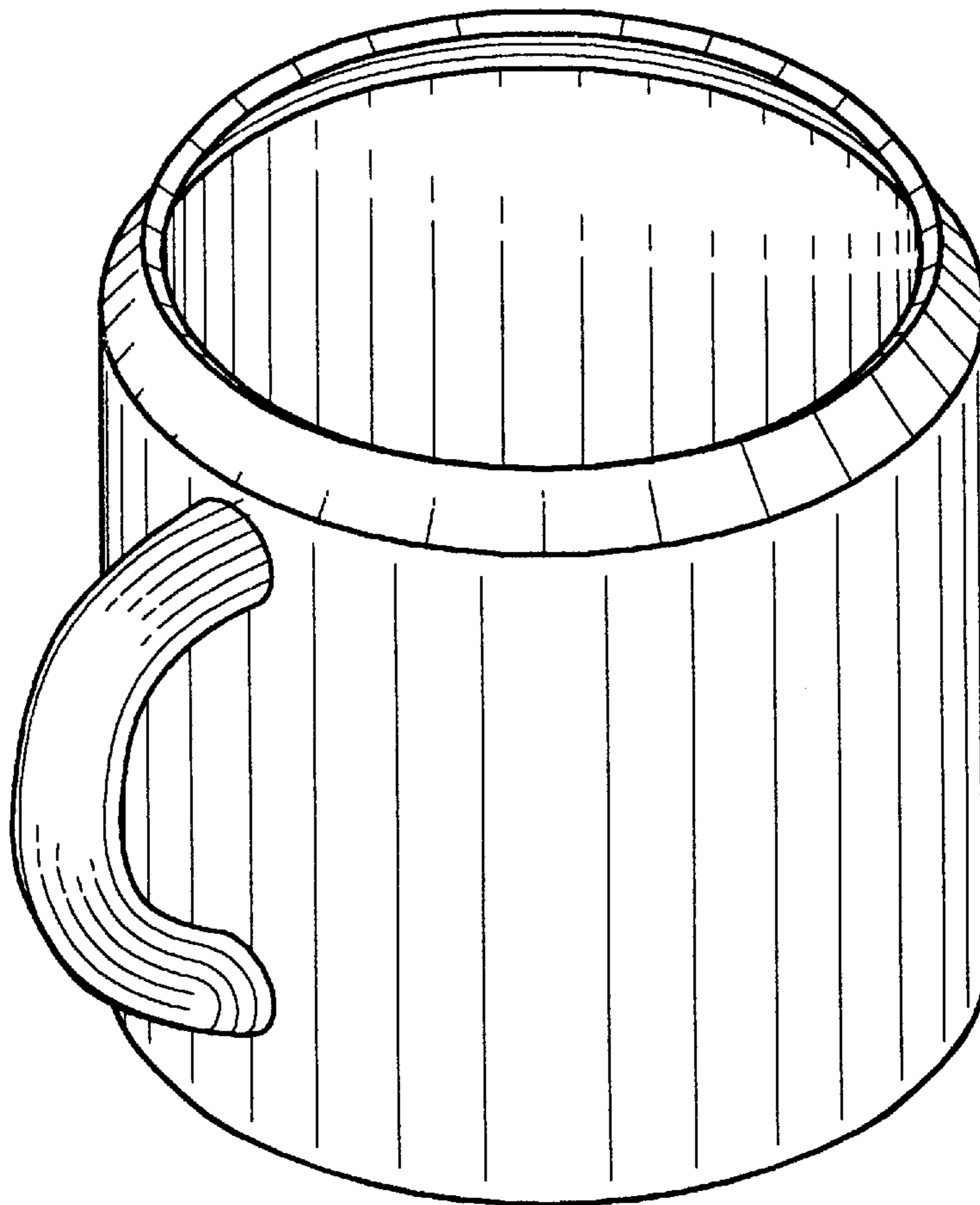
(56) **References Cited**

**U.S. PATENT DOCUMENTS**

40,017	*	9/1863	Barritt .....	D7/533
D. 346,249	*	4/1994	Peltier et al. ....	D32/53.1
D. 350,425		9/1994	Walker .	
D. 371,049	*	6/1996	Cuthbertson et al. ....	D7/533
D. 389,626		1/1998	Lundy .	
1,590,572	*	6/1926	Fredette .....	D7/533

FIG. 1 is a top and side perspective view of a paint bucket with brush wiping lip and finger grip, showing my new design;  
 FIG. 2 is a side view thereof, the unshown opposite side being of mirror image appearance;  
 FIG. 3 is a top view thereof;  
 FIG. 4 is a bottom view thereof; and,  
 FIG. 5 is a sectional view taken in the direction of the arrows upon the line 5—5 of FIG. 3.

**1 Claim, 2 Drawing Sheets**



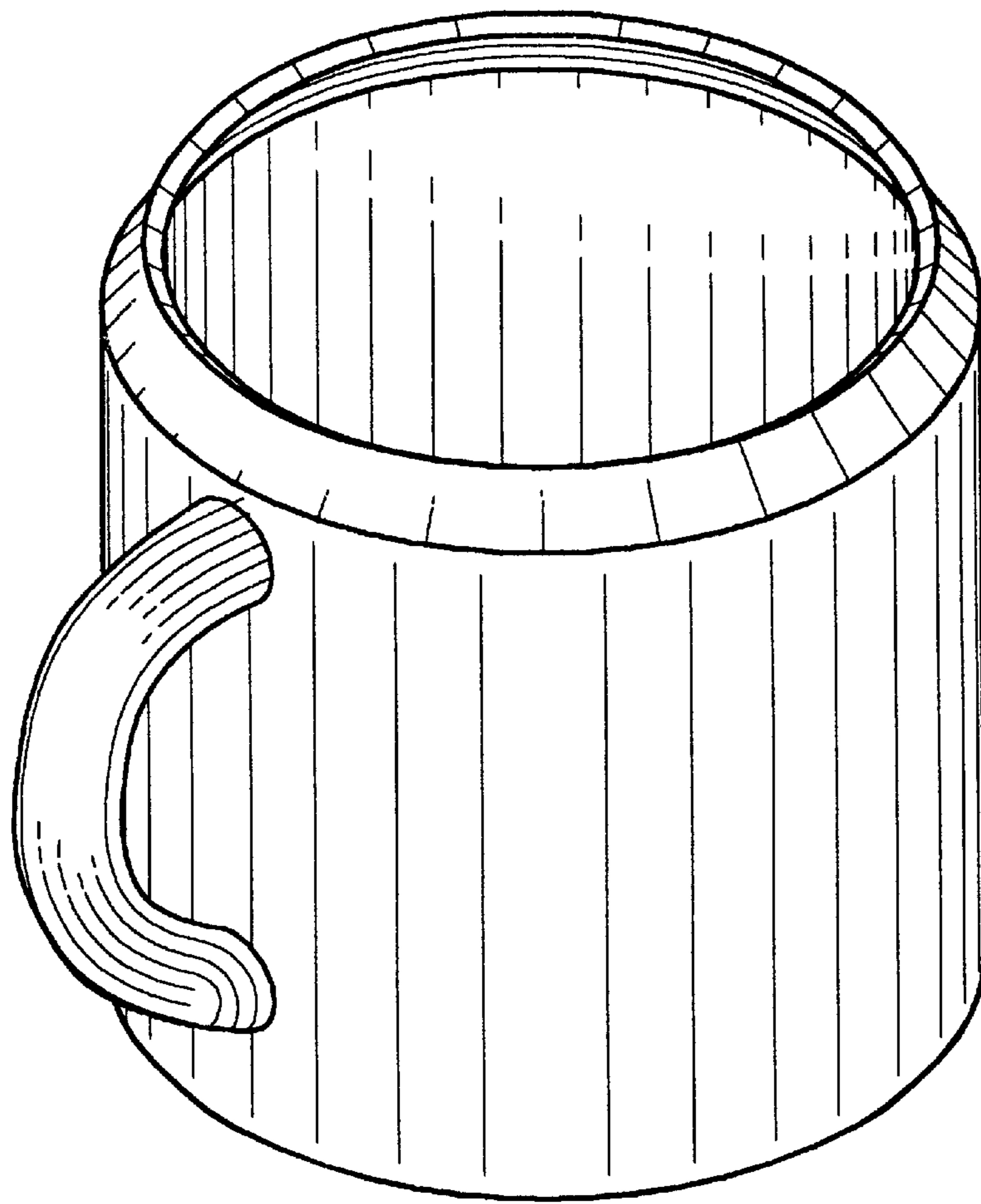


Fig. 1

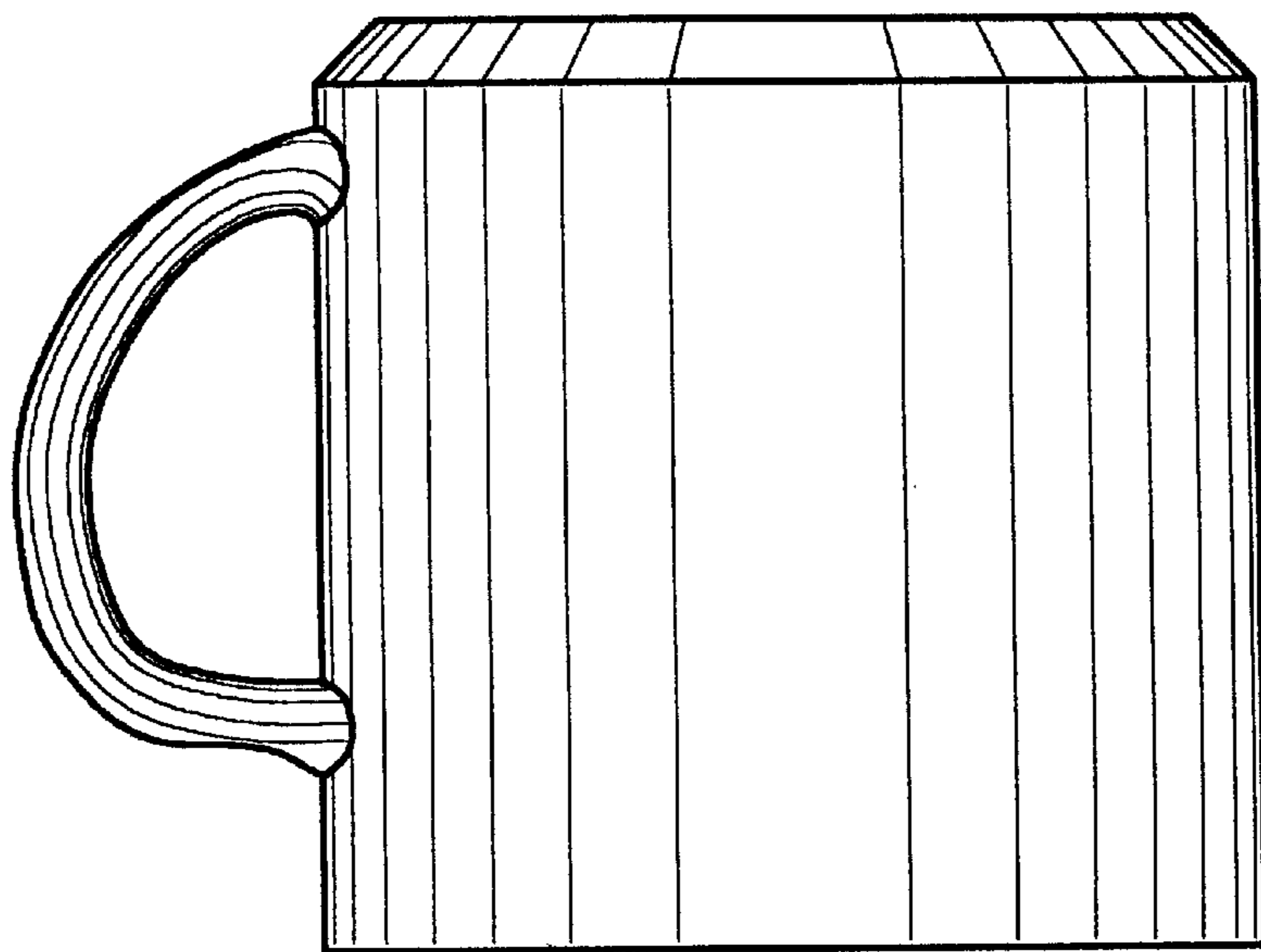


Fig. 2

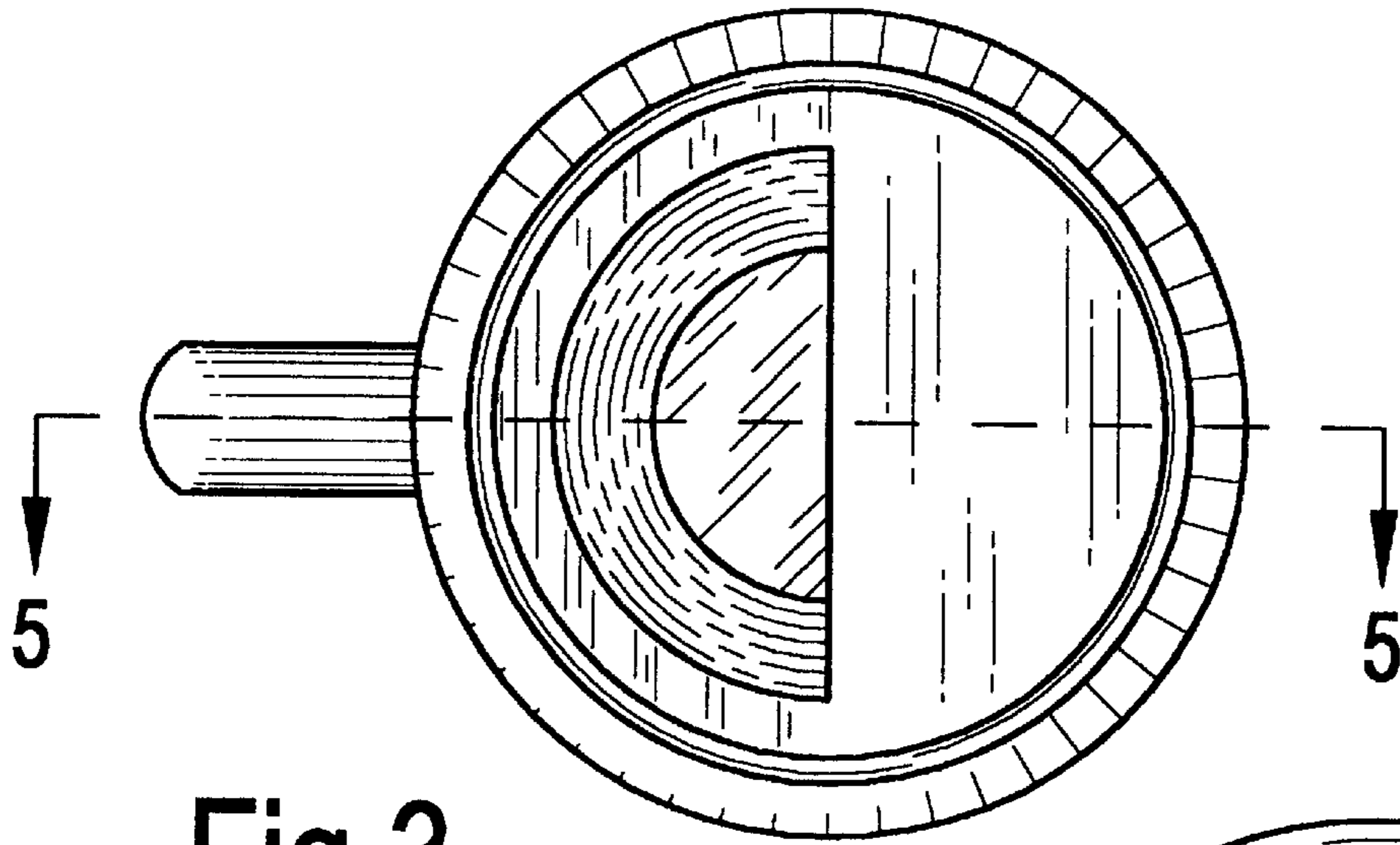


Fig.3

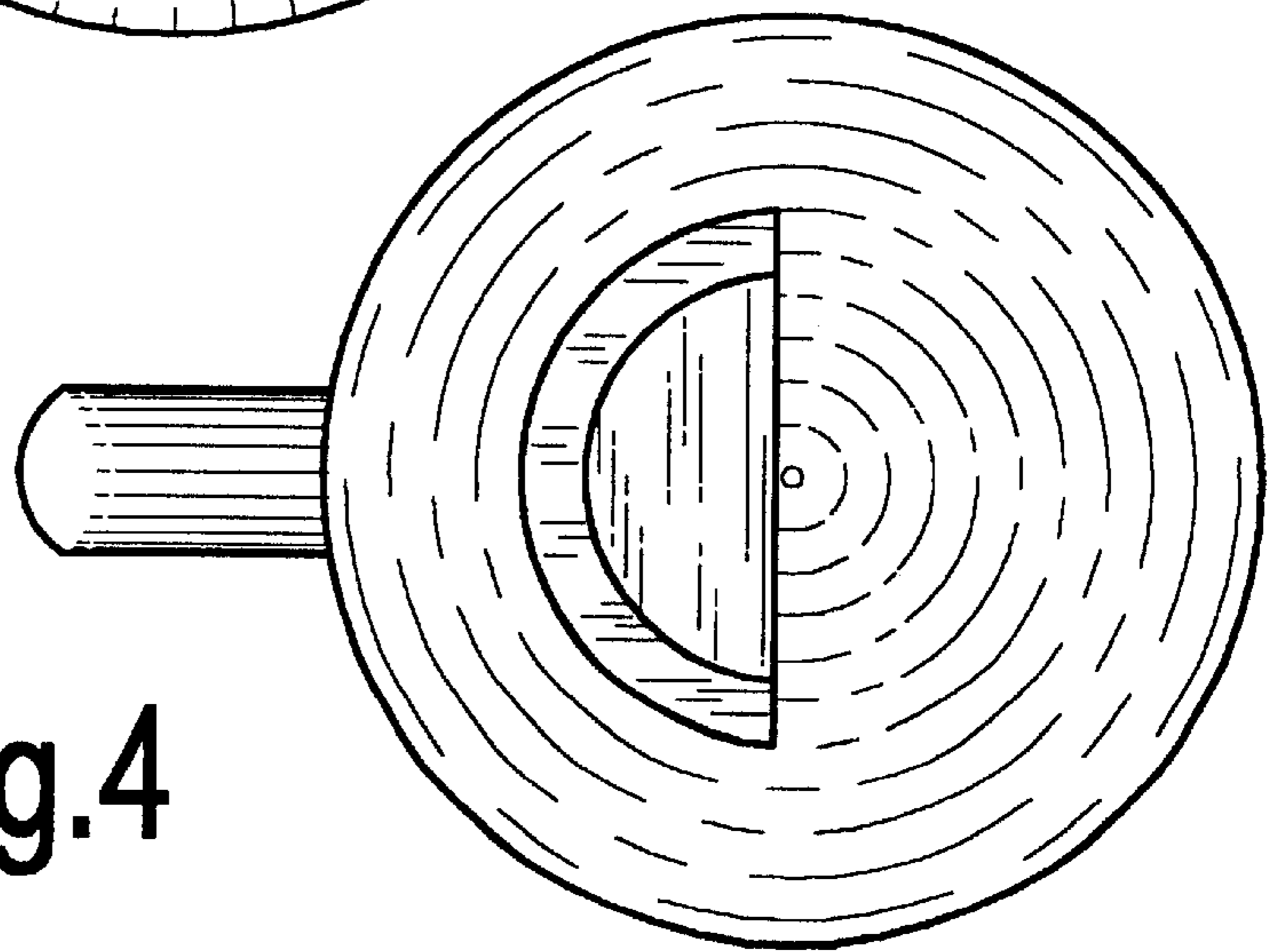


Fig.4

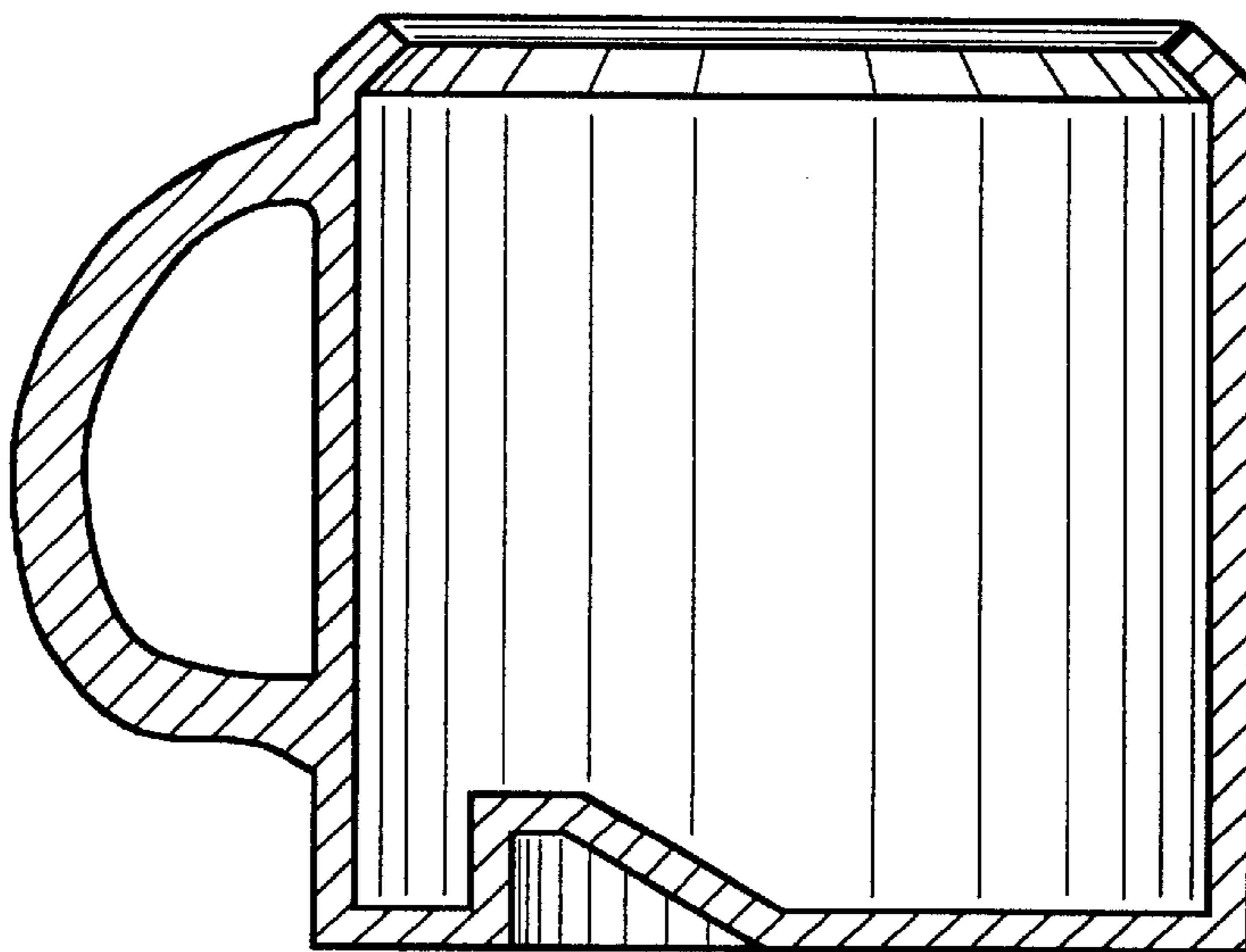


Fig.5