



US00D444926S

(12) **United States Design Patent**
Stratford

(10) **Patent No.:** **US D444,926 S**

(45) **Date of Patent:** **** Jul. 10, 2001**

(54) **TOOL CARRIER FOR A HAND HELD VACUUM CLEANER**

(75) **Inventor:** **Mark Stratford, Darlington (GB)**

(73) **Assignee:** **Black & Decker, Inc., Newark, DE (US)**

(**) **Term:** **14 Years**

(21) **Appl. No.:** **29/115,883**

(22) **Filed:** **Dec. 22, 1999**

(30) **Foreign Application Priority Data**

Jul. 6, 1999 (GB) 2084704

(51) **LOC (7) Cl.** **15-05**

(52) **U.S. Cl.** **D32/31**

(58) **Field of Search** D32/17, 18, 25, D32/31; D13/108; 15/320, 323, 344, 353, DIG. 1; 320/115; 339/119 C

(56) **References Cited**

U.S. PATENT DOCUMENTS

- D. 210,885 * 4/1968 Eberhart D13/108
- D. 288,015 * 1/1987 Verdier et a. D32/18
- D. 289,631 * 5/1987 Osit D13/108
- D. 300,214 * 3/1989 Adams D13/108

- D. 308,267 * 5/1990 Bradd D32/31
- D. 337,303 * 7/1993 Naft et al. D13/108
- 3,293,528 * 12/1966 Rosen et al. 320/115
- 4,225,814 * 9/1980 Gantz et al. 320/115
- 5,035,024 * 7/1991 Steiner et al. 15/339
- 5,926,909 * 7/1999 McGee 15/339

* cited by examiner

Primary Examiner—Huth McInroy

(57) **CLAIM**

The ornamental design for a tool carrier for a hand held vacuum cleaner, as shown and described.

DESCRIPTION

FIG. 1 is a top, front and side perspective view of a tool carrier for a hand held vacuum cleaner showing my new design;

FIG. 2 is a top plan view thereof;

FIG. 3 is a bottom plan view thereof;

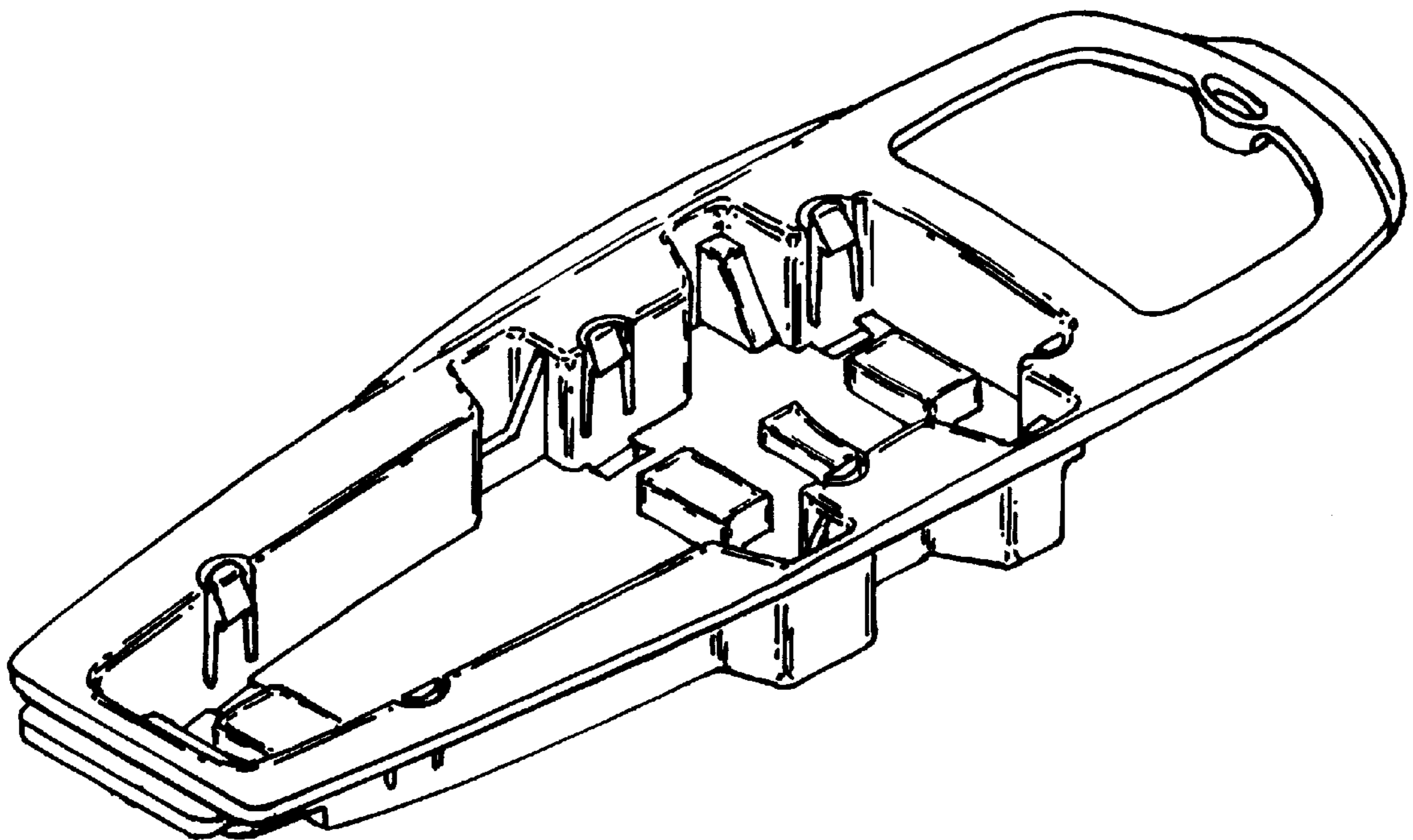
FIG. 4 is a side elevational view thereof, taken from the side illustrated in FIG. 1;

FIG. 5 is a side elevational view thereof, taken from the side opposite that illustrated in FIG. 1;

FIG. 6 is a front elevational view thereof; and,

FIG. 7 is a rear elevational view thereof.

1 Claim, 4 Drawing Sheets



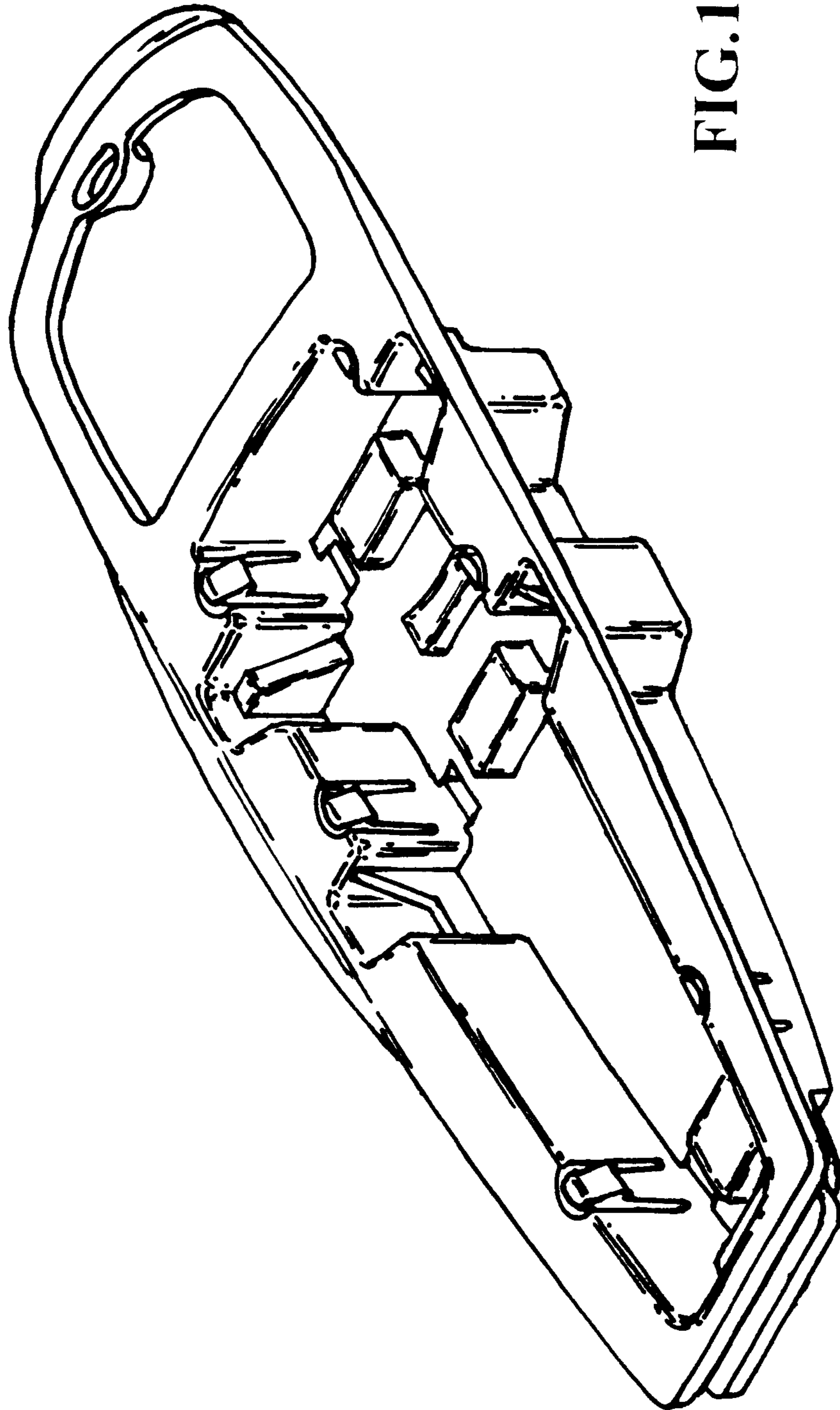


FIG. 1

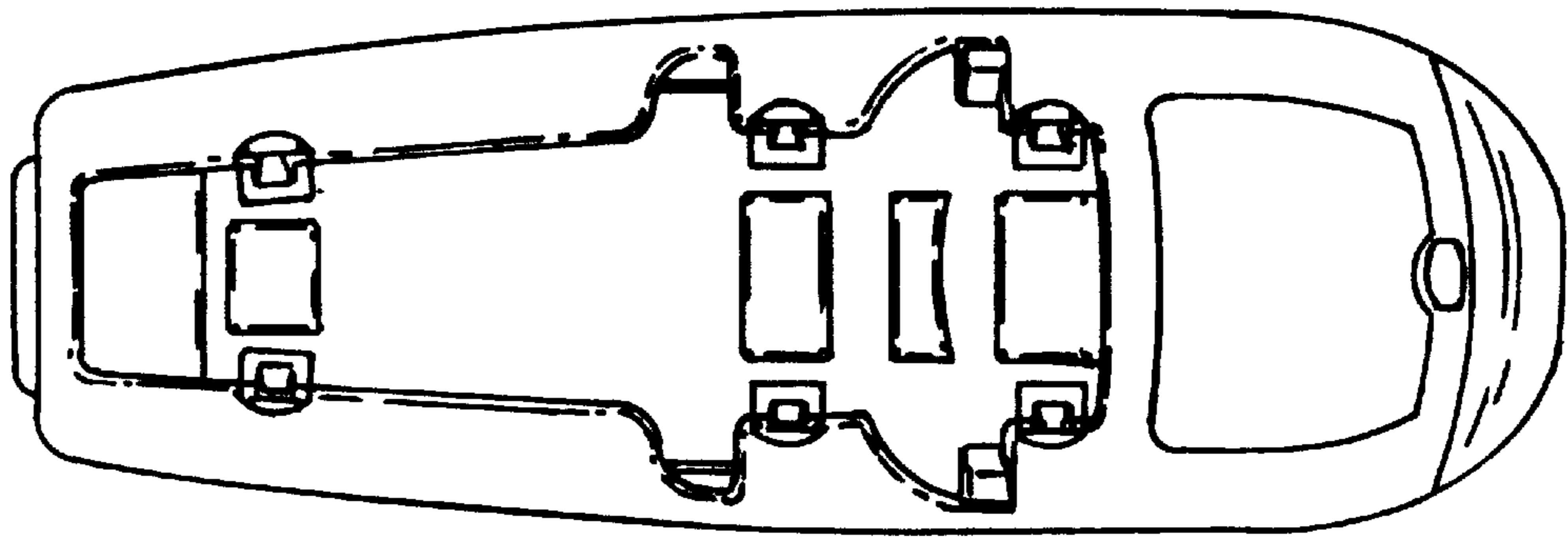


FIG.2

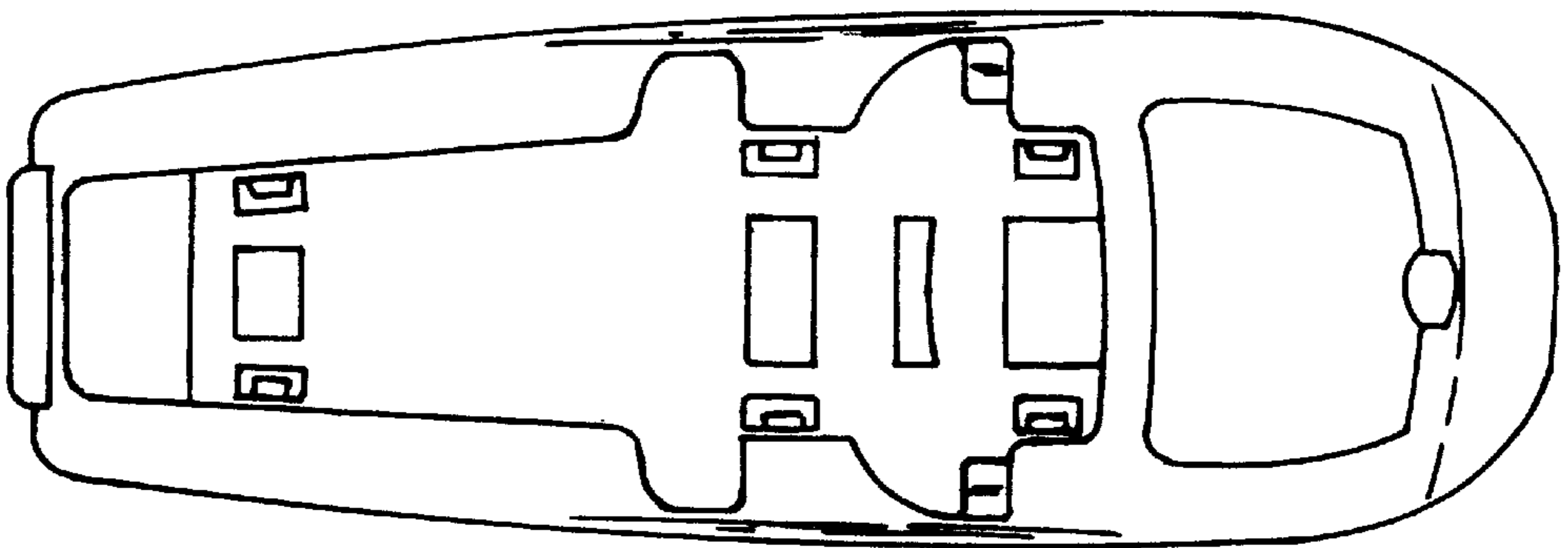


FIG.3

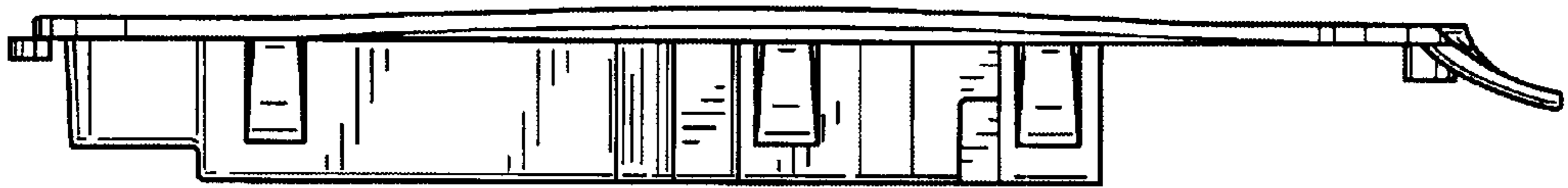


FIG. 4



FIG. 5

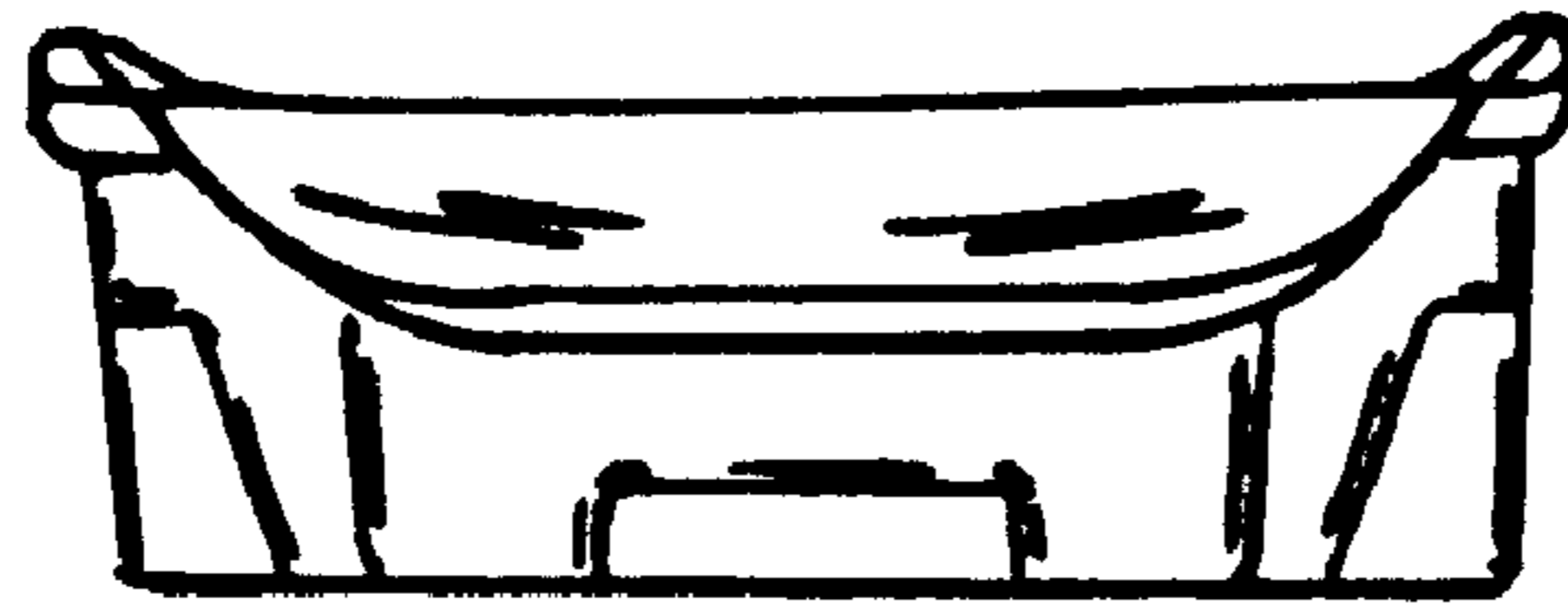


FIG. 6

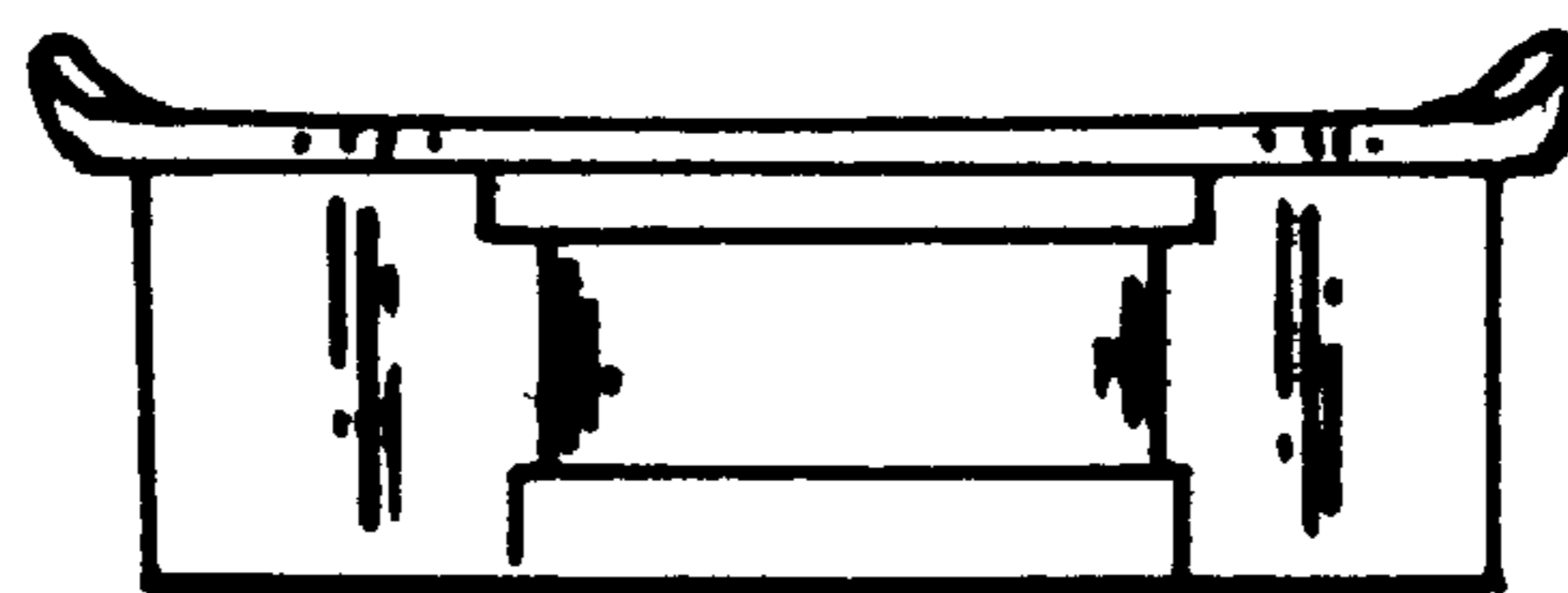


FIG. 7