



US00D444918S

(12) **United States Design Patent**
Suter

(10) **Patent No.:** **US D444,918 S**

(45) **Date of Patent:** **** Jul. 10, 2001**

(54) **BELT-ATTACHED CUSHION**

5,572,758 * 11/1996 Merritt 5/653

5,782,531 7/1998 Shindle .

6,182,291 * 2/2001 Garvey 2/102

(76) Inventor: **Roger B Suter**, 36 Lordan Dr.,
Cheektowaga, NY (US) 14227

(**) Term: **14 Years**

* cited by examiner

Primary Examiner—Louis S. Zarfaz

Assistant Examiner—Robert A. Delehanty

(21) Appl. No.: **29/120,454**

(22) Filed: **Mar. 17, 2000**

(57) **CLAIM**

(51) **LOC (7) Cl.** **30-04**

(52) **U.S. Cl.** **D29/100**

The ornamental design for a belt-attached cushion, as shown and described.

(58) **Field of Search** D29/100, 101.1,
D29/101.2, 101.3, 101.4, 101.5, 122, 120.1,
121.1; D2/750-753; 2/463, 46, 51, 52,
92, 102, 103, 900, 913; D24/190, 193;
182/3-4

DESCRIPTION

(56) **References Cited**

U.S. PATENT DOCUMENTS

D. 332,506	*	1/1993	Reeves	D29/101.1
D. 334,827	*	4/1993	Brown	D29/121.1
4,291,082	*	9/1981	Stall	2/900 X
4,394,783		7/1983	Simmons	.	
4,588,224		5/1986	Hill, Jr.	.	
5,297,848		3/1994	Grinnell	.	
5,454,623		10/1995	Parks	.	
5,524,956		6/1996	Moore	.	

FIG. 1 is a front elevational view of the belt-attached cushion of the present invention;
FIG. 2 is a rear elevational view of the belt-attached cushion of FIG. 1;
FIG. 3 is a left side elevational view of the belt-attached cushion of FIG. 1;
FIG. 4 is a right side elevational view of the belt-attached cushion of FIG. 1;
FIG. 5 is a top plan view of the belt-attached cushion of FIG. 1; and,
FIG. 6 is a bottom plan view of the belt-attached cushion of FIG. 1.

1 Claim, 4 Drawing Sheets

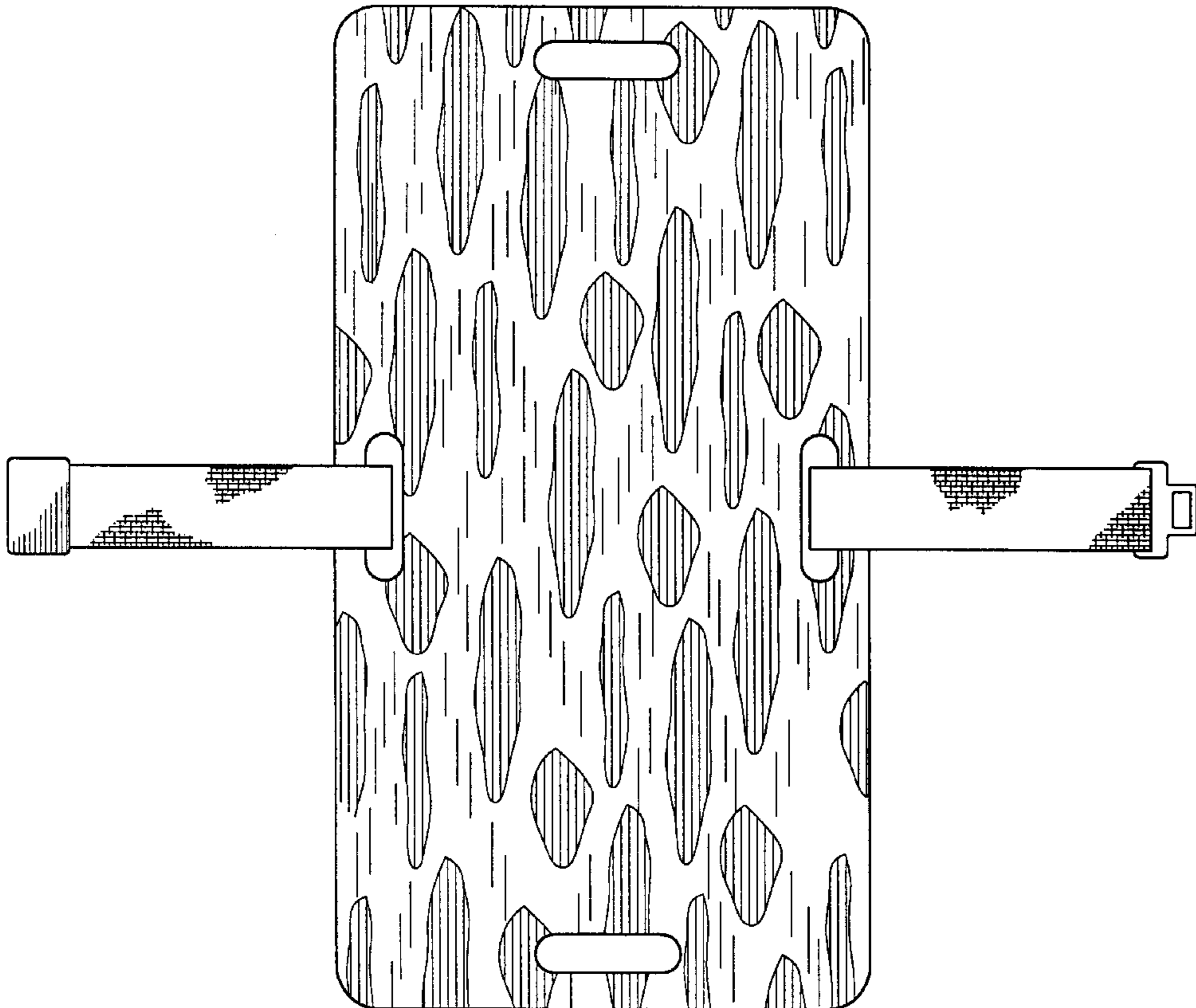


FIG. 1

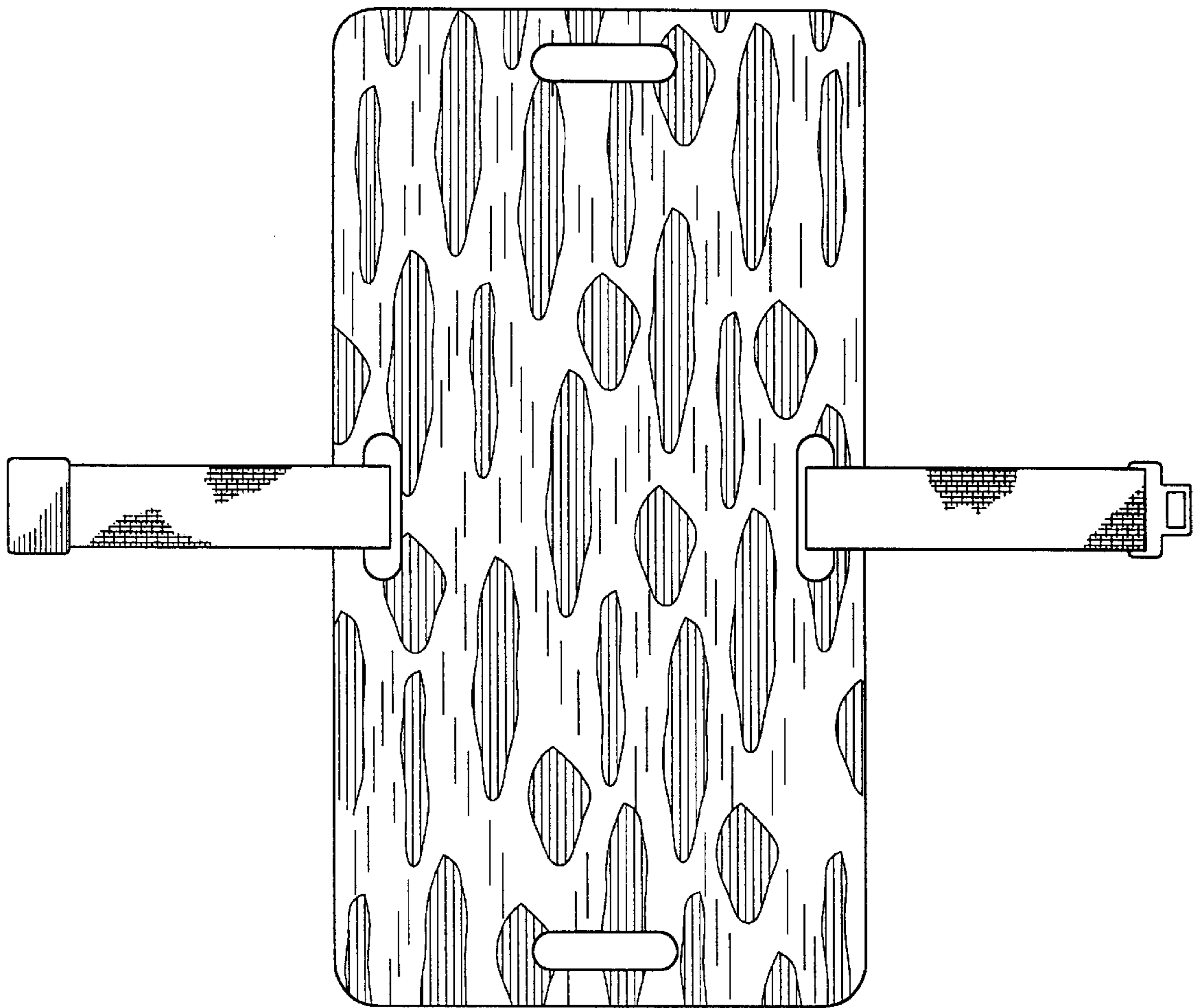


FIG. 2

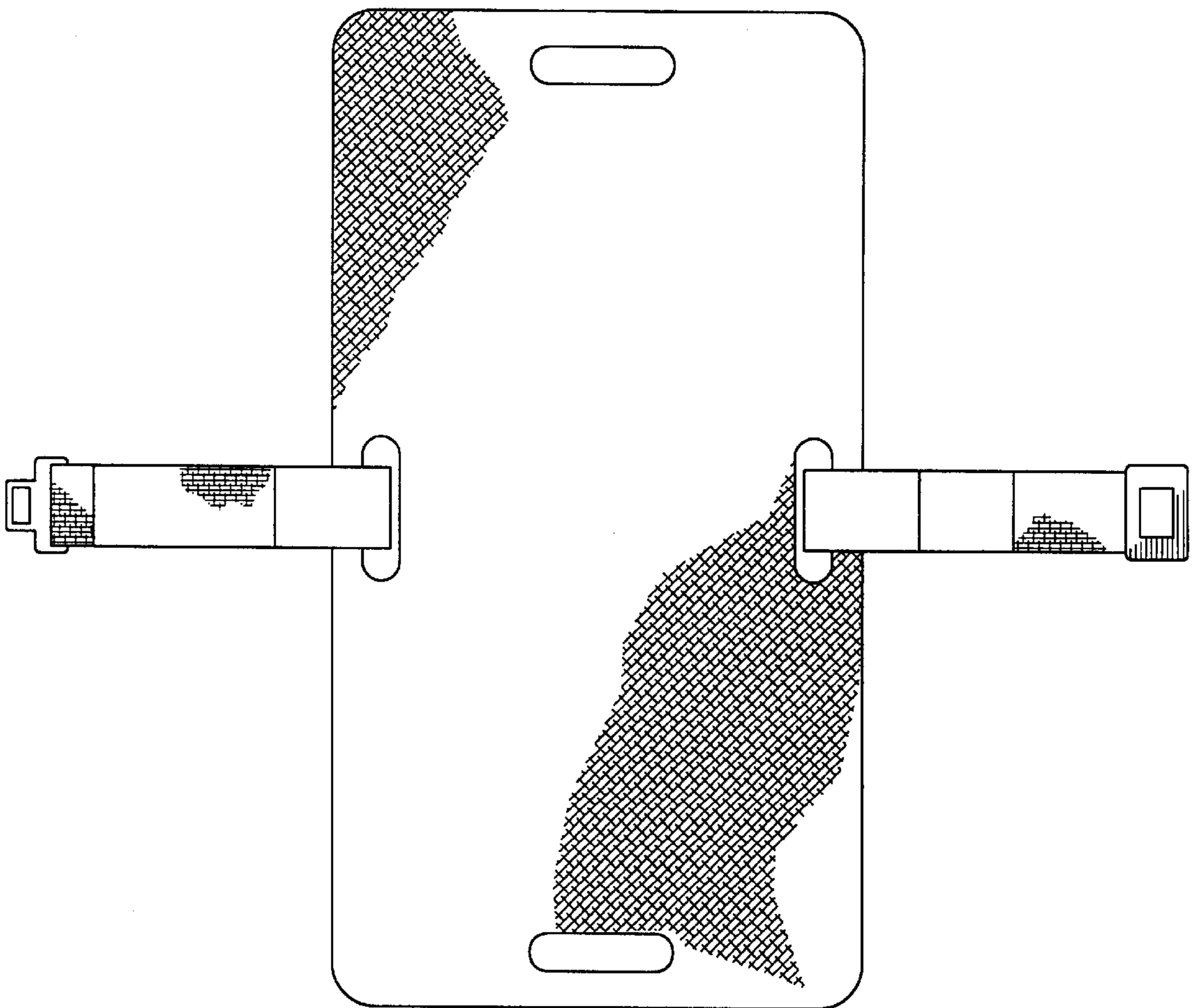


FIG. 3

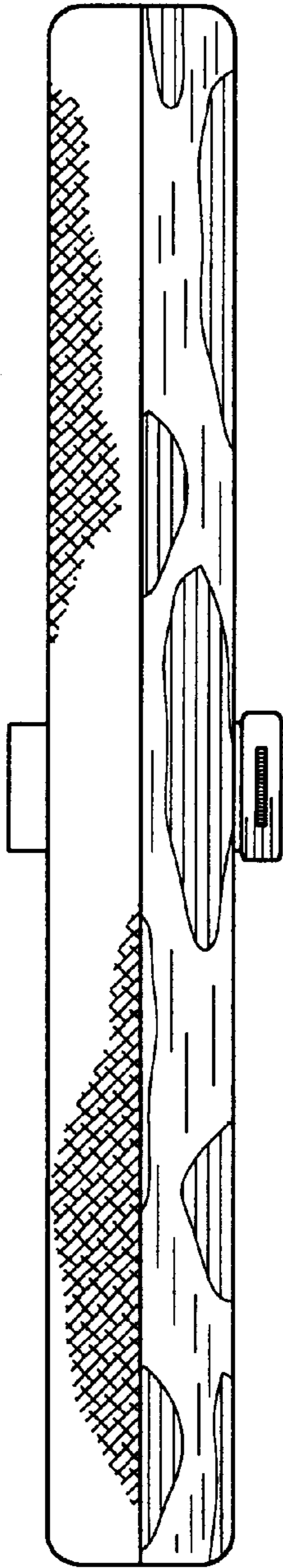


FIG. 4

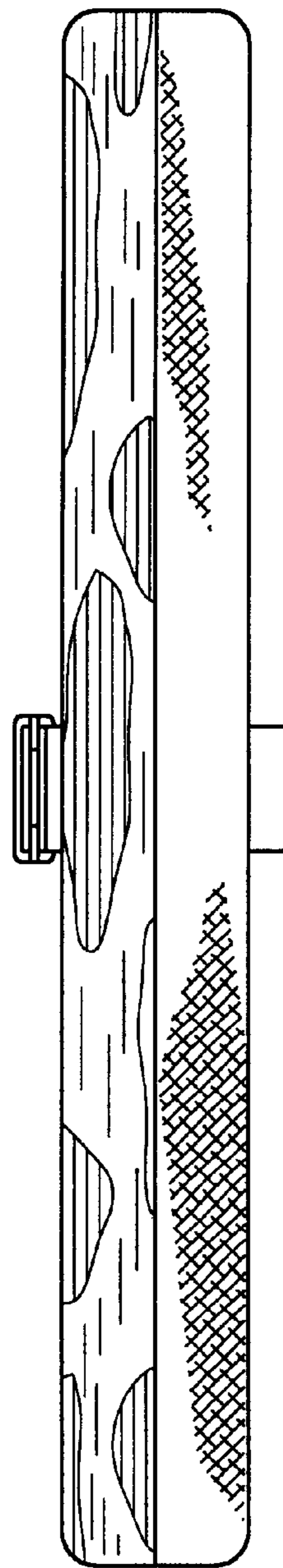


FIG. 5

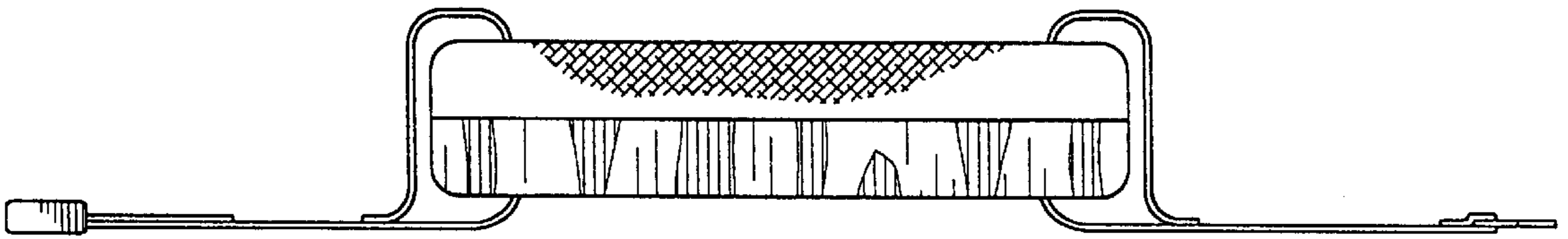


FIG. 6

