



US00D444916S

(12) **United States Design Patent**
Brown, Sr.

(10) **Patent No.:** **US D444,916 S**

(45) **Date of Patent:** **** Jul. 10, 2001**

(54) **SHOWER WALL MOUNTED BACK SCRUBBER**

5,704,903 * 1/1998 Jahnke 4/606 X
5,836,035 * 11/1998 McElfish et al. 15/160

(76) Inventor: **Mitchell Brown, Sr.**, 3937 NW. 207 Rd., Coral City, FL (US) 33055

* cited by examiner

(**) Term: **14 Years**

Primary Examiner—Alan P. Douglas

Assistant Examiner—Lavone Tabor

(74) *Attorney, Agent, or Firm*—John D. Gugliotta

(21) Appl. No.: **29/130,037**

(57) **CLAIM**

(22) Filed: **Sep. 26, 2000**

The ornamental design for a shower wall mounted back scrubber, as shown and described.

(51) **LOC (7) Cl.** **04-02**

(52) **U.S. Cl.** **D28/63**

(58) **Field of Search** D4/119; D28/63,
D28/99; 4/605, 606; 15/106, 159.1, 160;
601/136, 154

DESCRIPTION

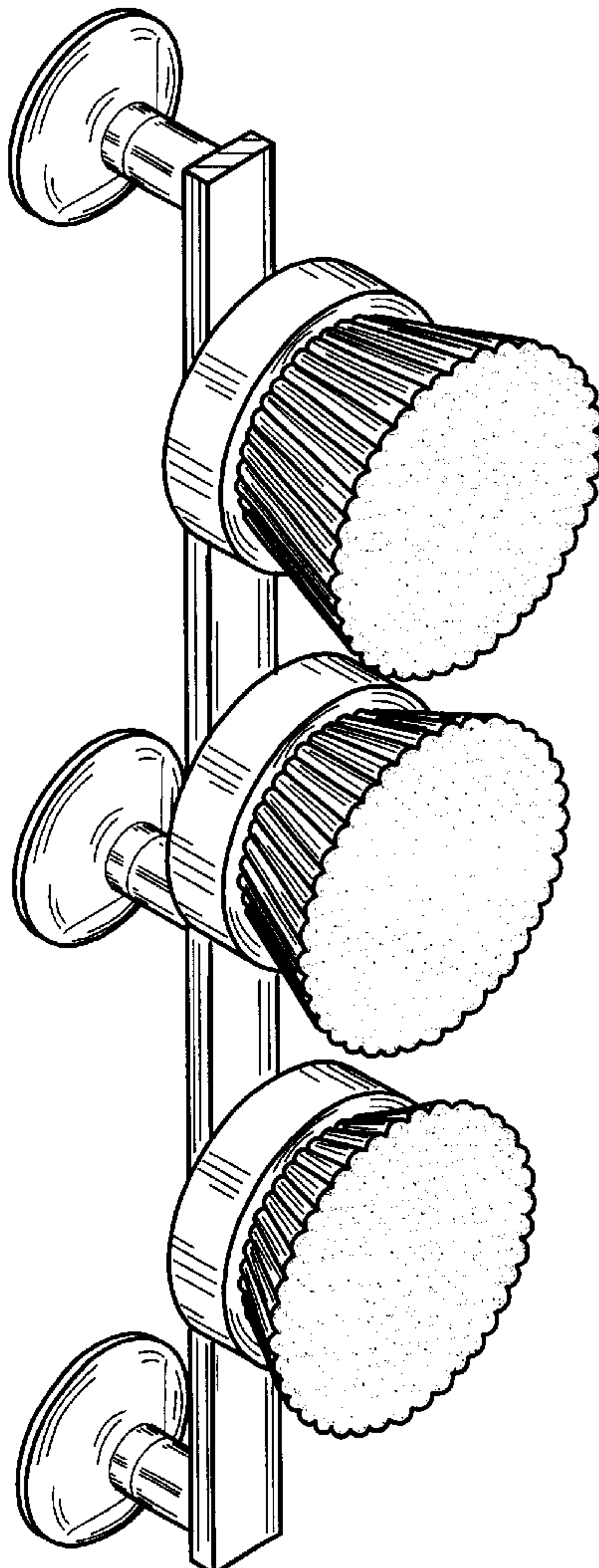
FIG. 1 is a perspective view of a shower wall mounted back scrubber showing my new design;
FIG. 2 is a left side elevational view thereof;
FIG. 3 is a right side elevational view thereof;
FIG. 4 is a top plan view thereof;
FIG. 5 is a bottom plan view thereof;
FIG. 6 is a rear elevational view thereof; and,
FIG. 7 is a front elevational view thereof.

(56) **References Cited**

U.S. PATENT DOCUMENTS

- D. 332,178 * 1/1993 Proctor et al. D4/119
- D. 409,337 * 5/1999 Johnson, Jr. D28/63
- 3,078,484 * 2/1963 Briggs 4/606 X
- 5,345,640 * 9/1994 Goss 4/606 X

1 Claim, 3 Drawing Sheets



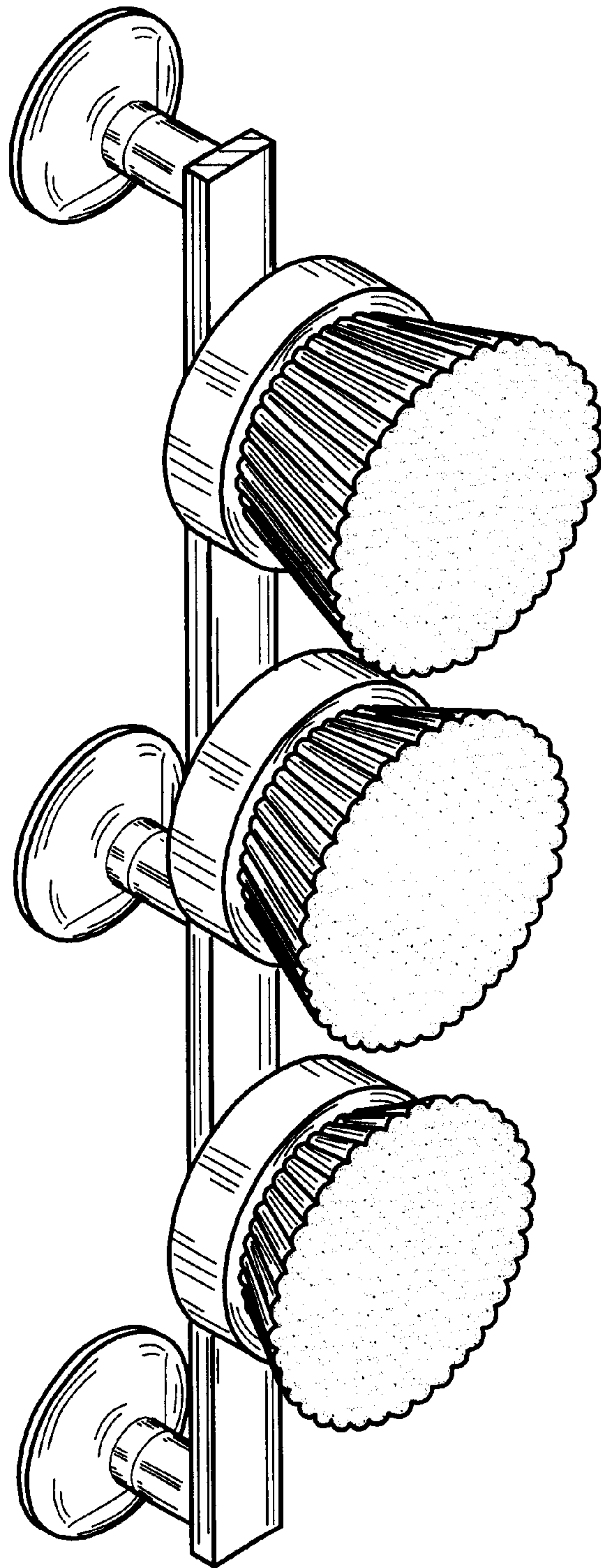


Figure 1

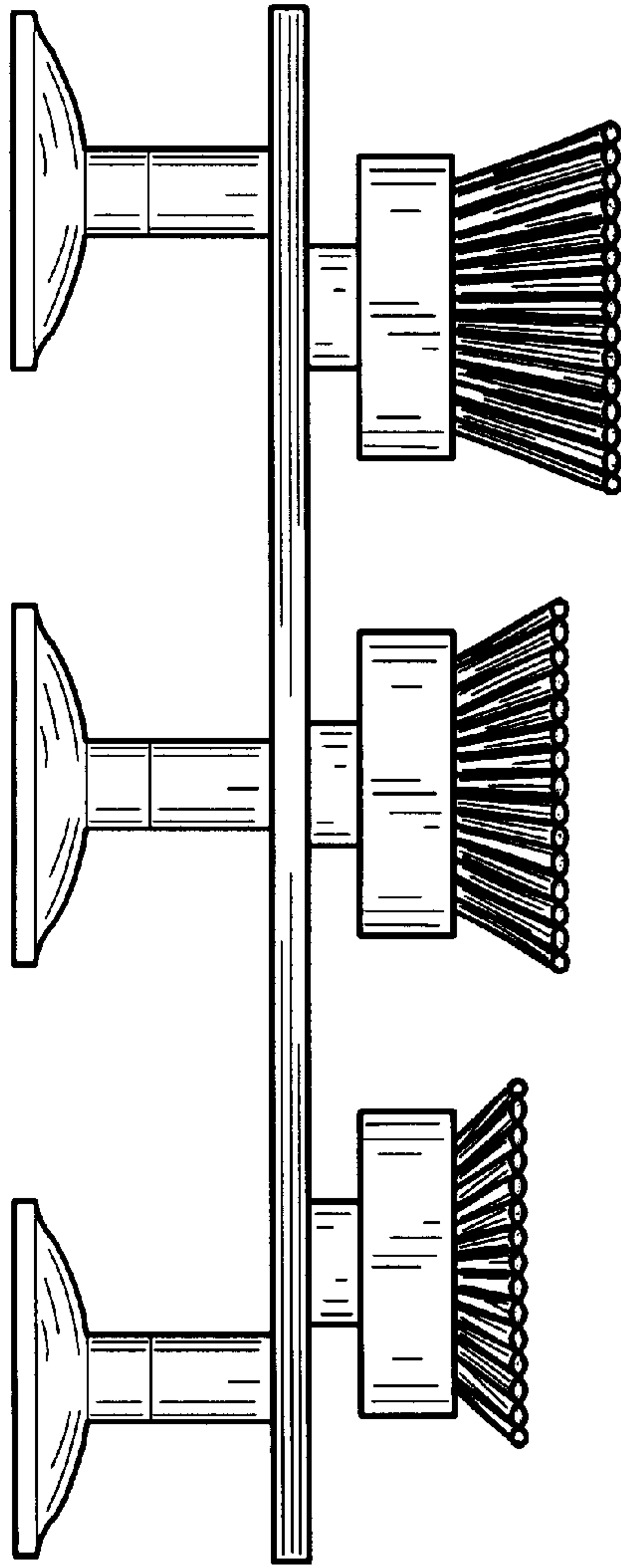


Figure 2

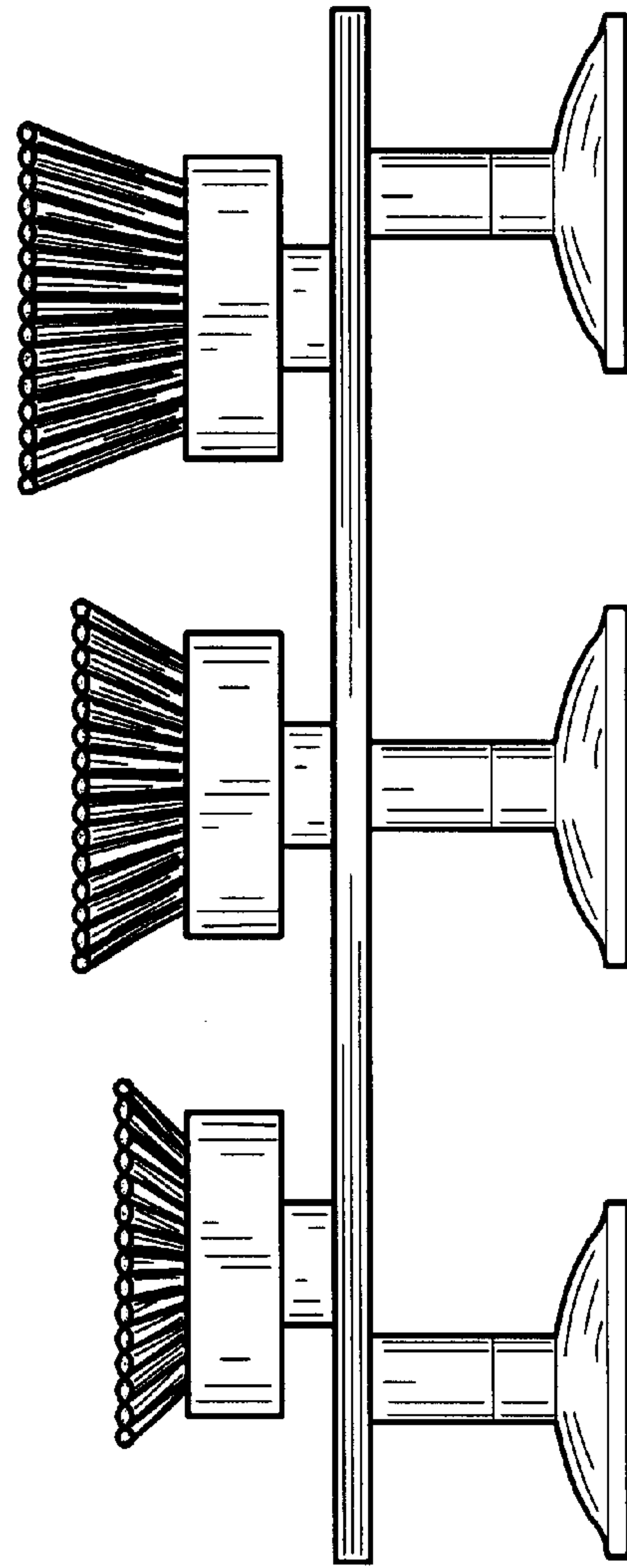


Figure 3

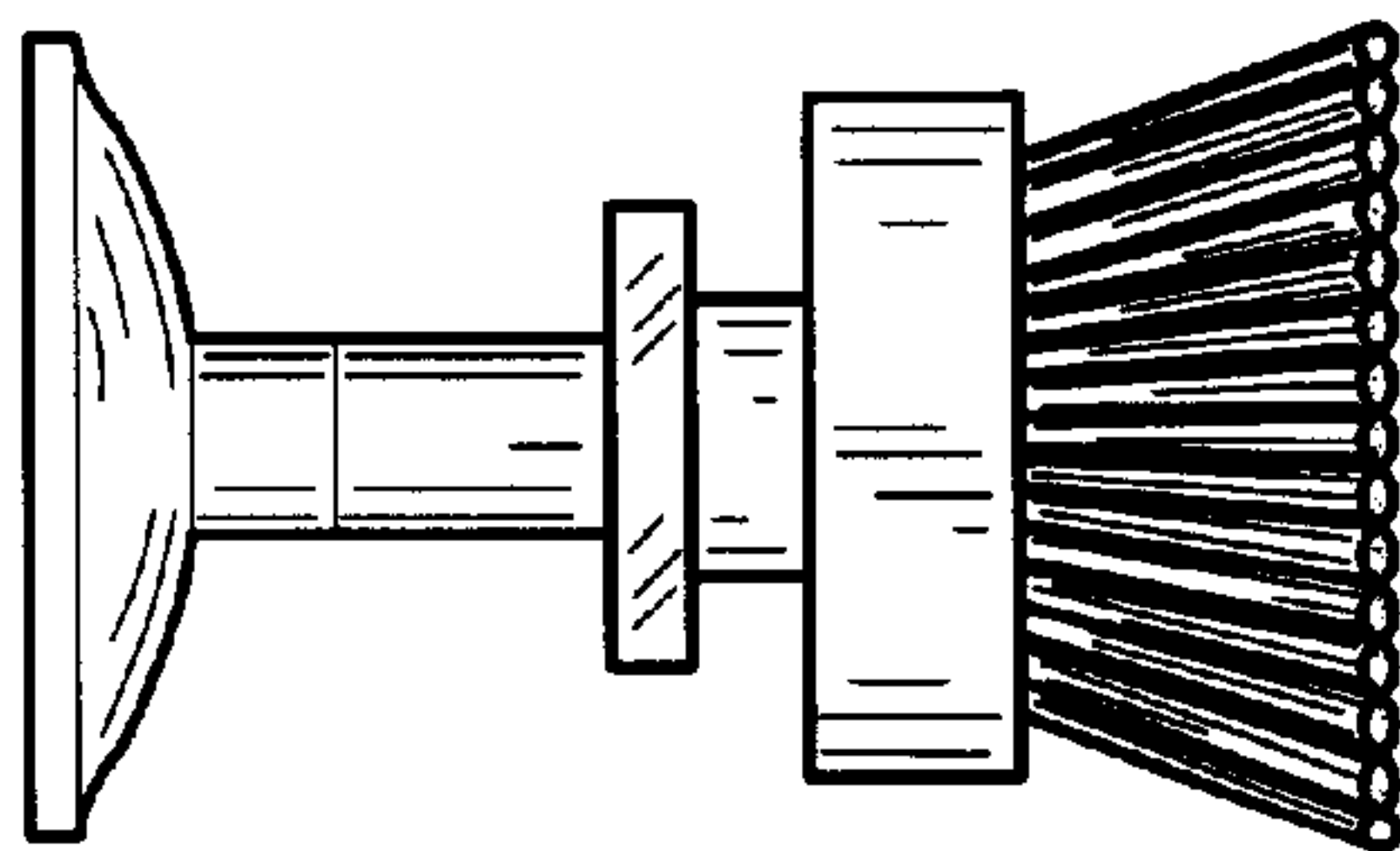


Figure 4

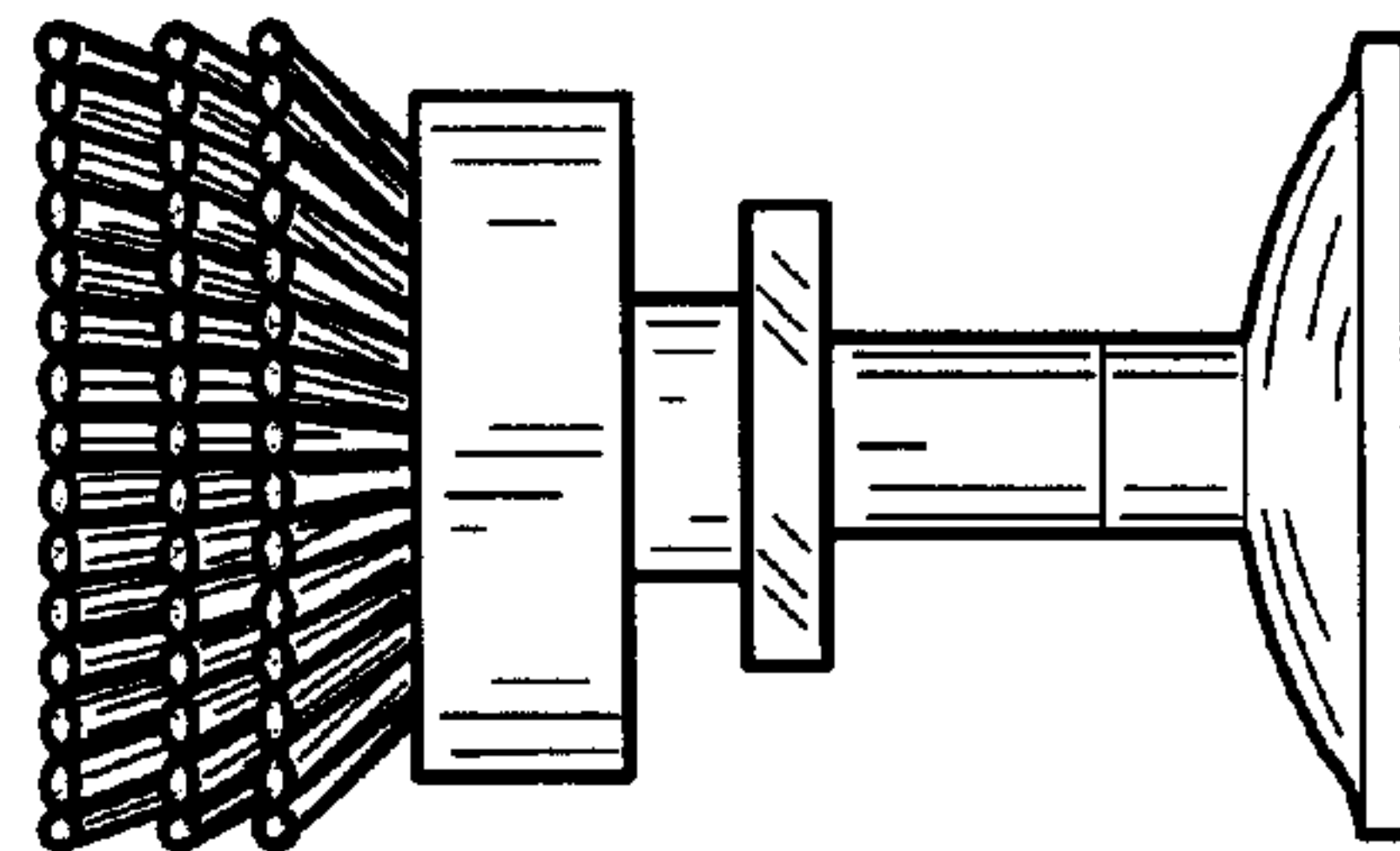


Figure 5

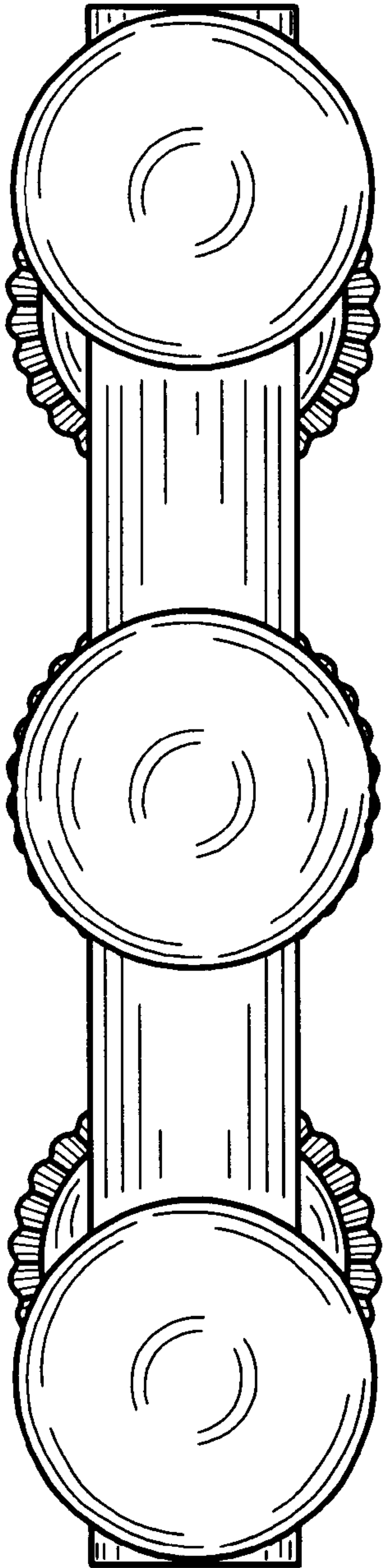


Figure 6

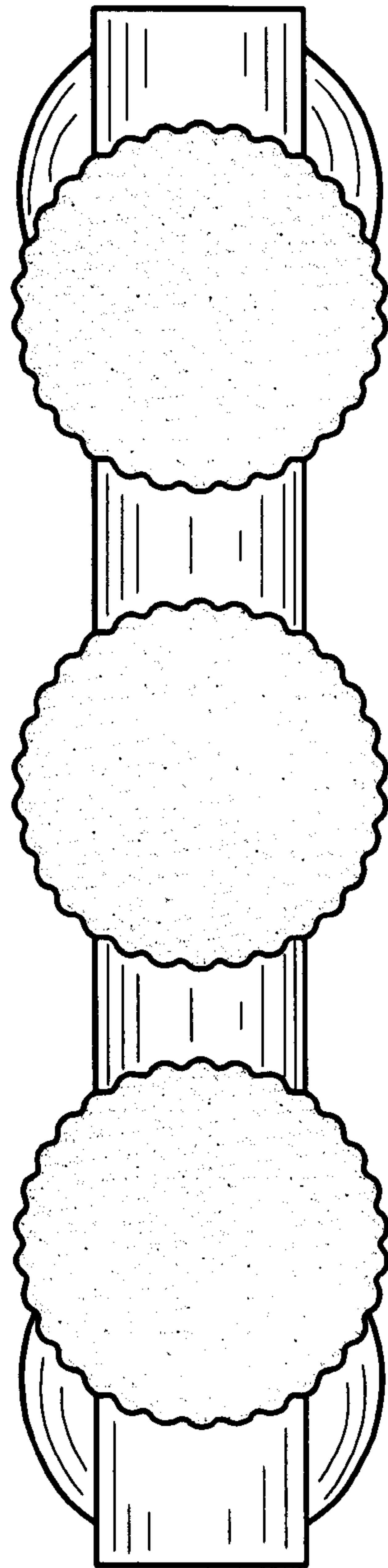


Figure 7