



US00D444912S

(12) **United States Design Patent**
Xie et al.

(10) **Patent No.:** **US D444,912 S**

(45) **Date of Patent:** **** Jul. 10, 2001**

(54) **POCKET TORCH LIGHTER**

(76) Inventors: **Zheng Xiong Xie**, 127 S. 2nd Ave., #B,
Arcadia, CA (US) 91006; **Ming Fang**,
17070 E. Colima Rd., #281, Hacienda
Hts, CA (US) 91745

(**) Term: **14 Years**

(21) Appl. No.: **29/127,992**

(22) Filed: **Aug. 16, 2000**

(51) **LOC (7) Cl.** **27-05**

(52) **U.S. Cl.** **D27/157; D7/416**

(58) **Field of Search** D7/416, 417; 126/409,
126/25 B; 431/254, 344, 276, 255, 143,
153; D23/415; D27/139, 141, 147, 154,
160, 148, 157; 361/260, 262

(56) **References Cited**

U.S. PATENT DOCUMENTS

D. 205,571	*	8/1966	Mycue	D7/416
D. 213,518	*	3/1969	Van Poppel	D7/416
D. 277,307	*	1/1985	Zeller et al.	D7/416
D. 284,796		7/1986	Yoshinaga	D27/41
D. 314,118	*	1/1991	Capilla	D7/416
D. 345,489	*	3/1994	Moh	D7/416
D. 382,444	*	8/1997	Ferrara, Jr.	D7/416
D. 388,280	*	12/1997	Kessler	D7/416

D. 398,050		9/1998	Yoshinaga	D23/415
D. 414,294		9/1999	Mashine	D27/154
4,352,658	*	10/1982	Racek	431/254
4,597,732	*	7/1986	Yoshinaga	431/255
5,082,440	*	1/1992	Yamamoto	431/143
5,466,149	*	11/1995	Tsai	431/344
5,667,377	*	9/1997	Lin	431/344
6,129,544	*	10/2000	Chen	431/153

* cited by examiner

Primary Examiner—M. N. Pandozzi

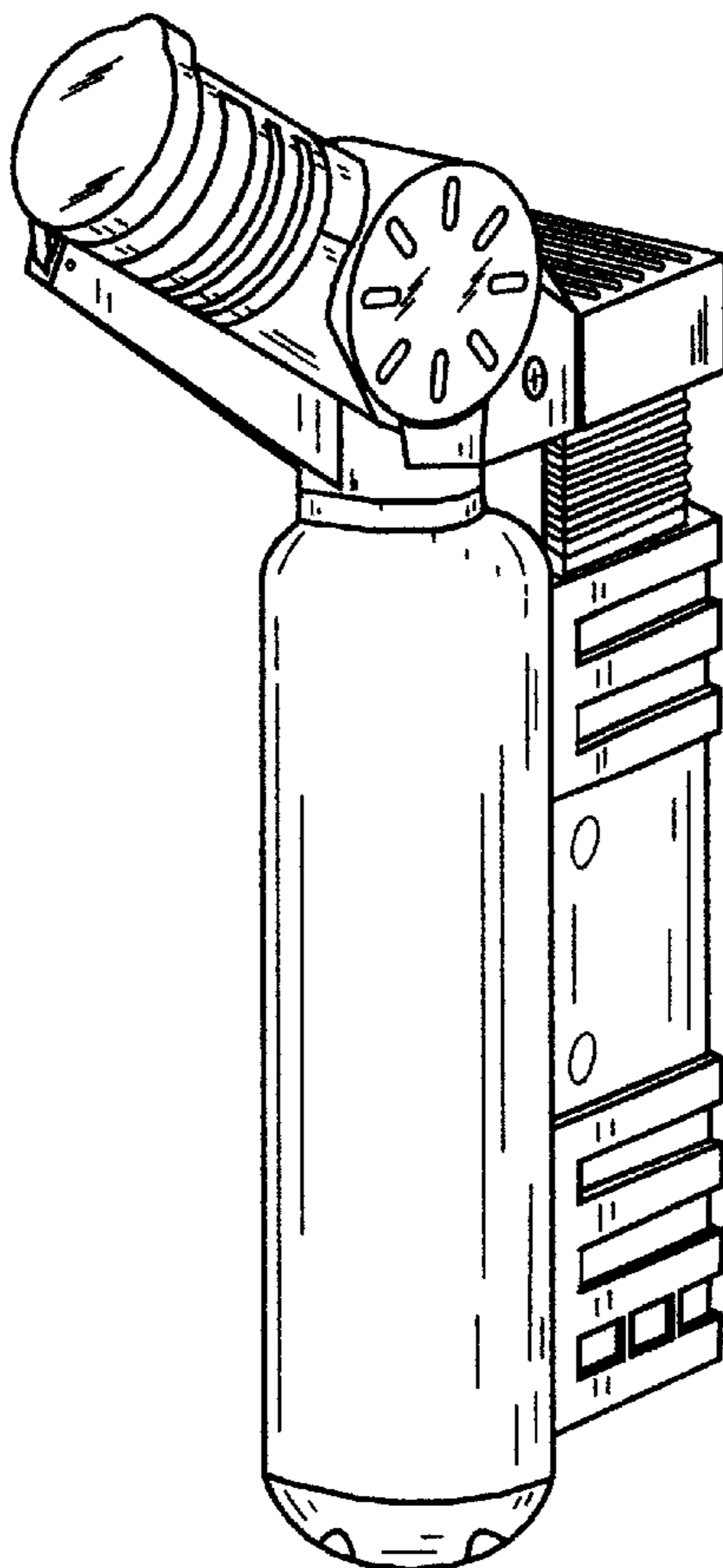
(57) **CLAIM**

The ornamental design for a pocket torch lighter, as shown and described.

DESCRIPTION

FIG. 1 is a perspective view of a pocket torch lighter showing our new design;
 FIG. 2 is a front elevation view thereof, the rear view being a mirror image;
 FIG. 3 is a front elevation view with the lid in an opened position;
 FIG. 4 is a right side elevation view thereof;
 FIG. 5 is a left side elevation view thereof;
 FIG. 6 is a top plan view thereof; and,
 FIG. 7 is a bottom plan view thereof.

1 Claim, 3 Drawing Sheets



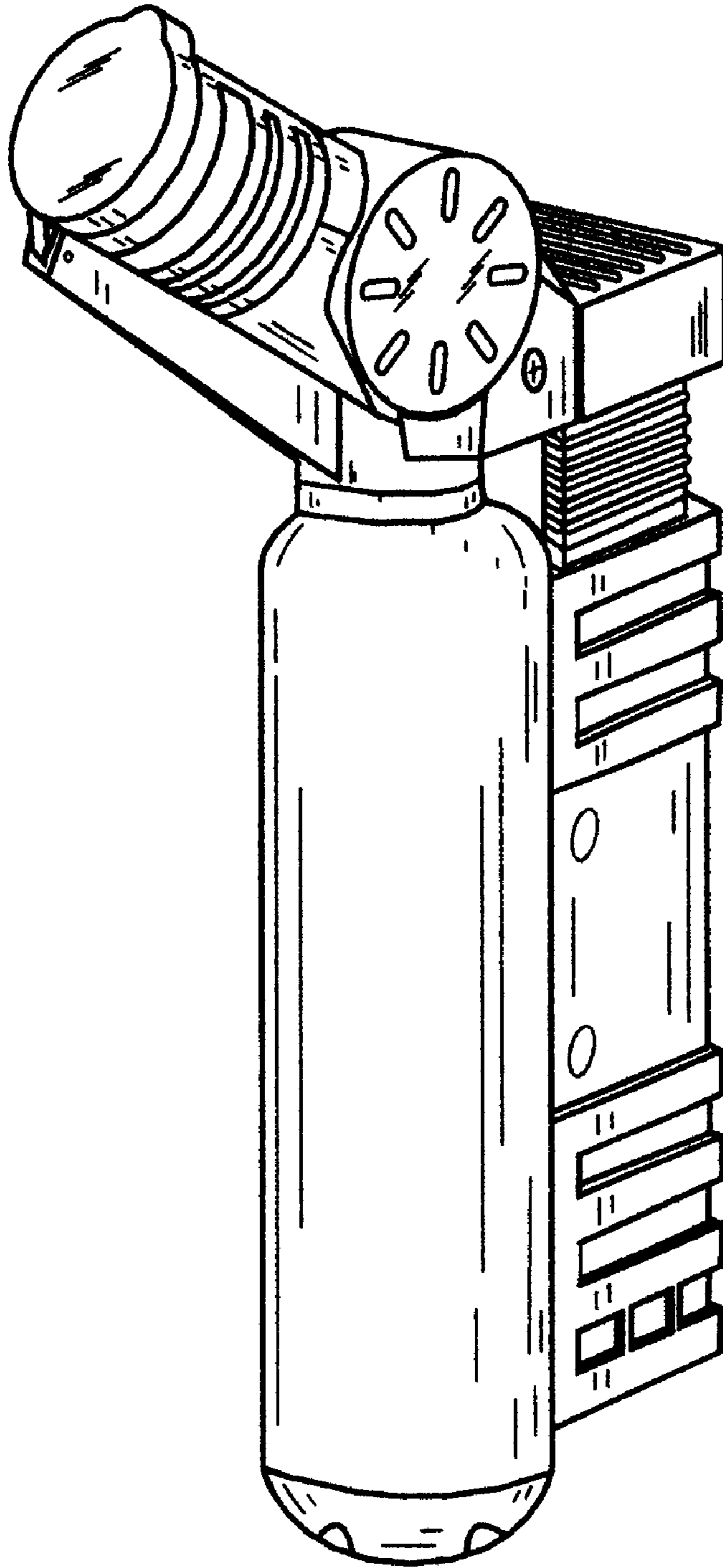


FIG. 1

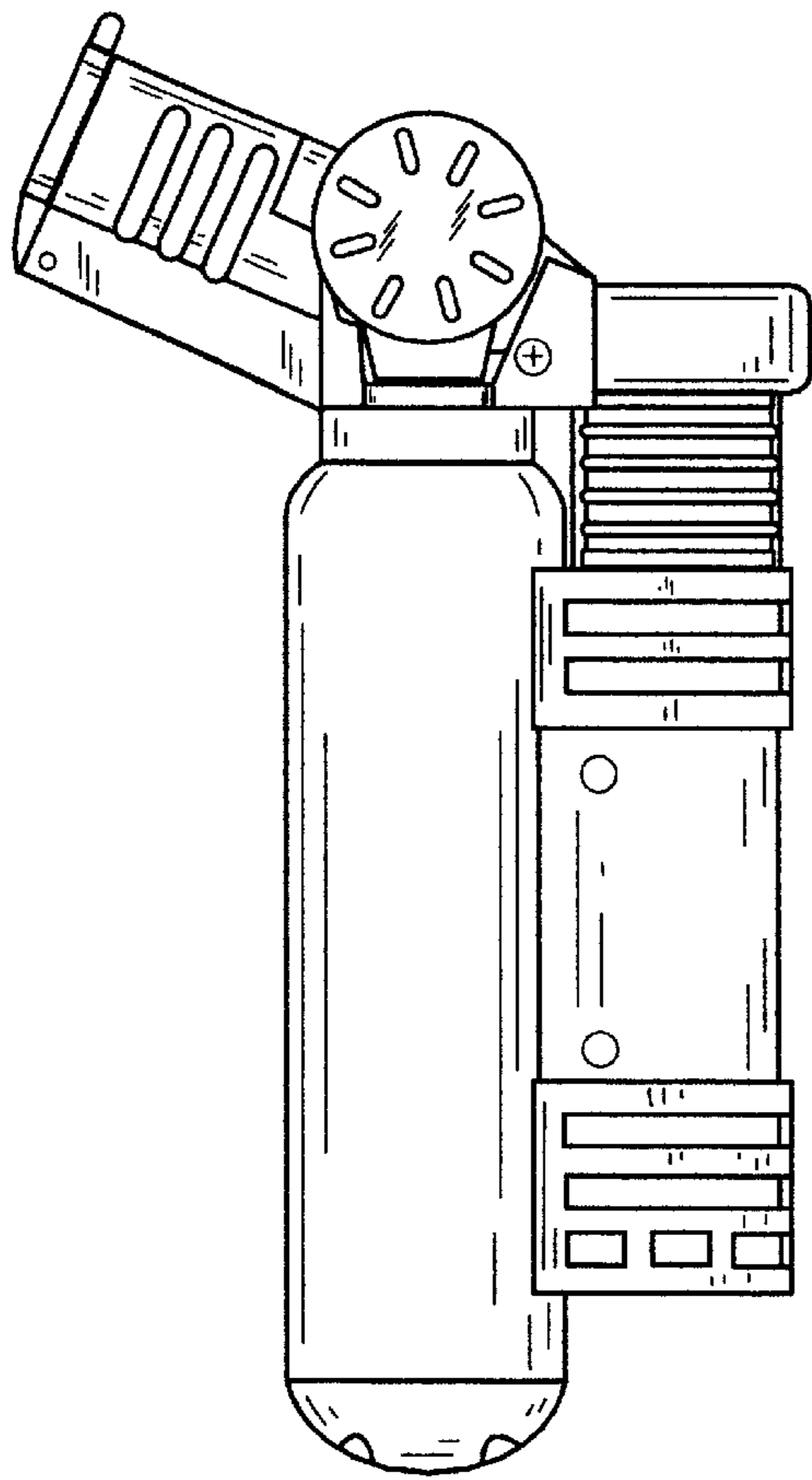


FIG. 2

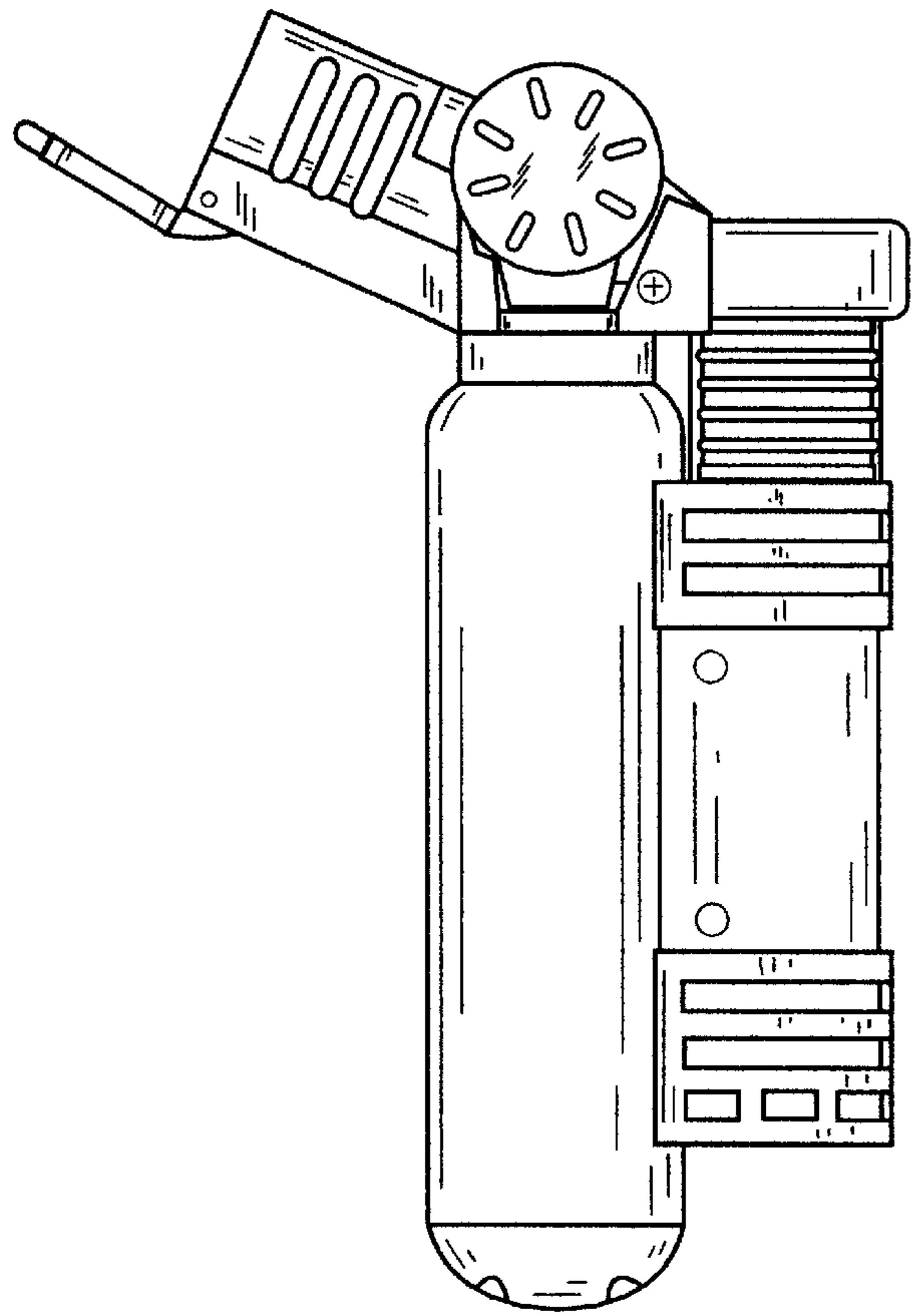


FIG. 3

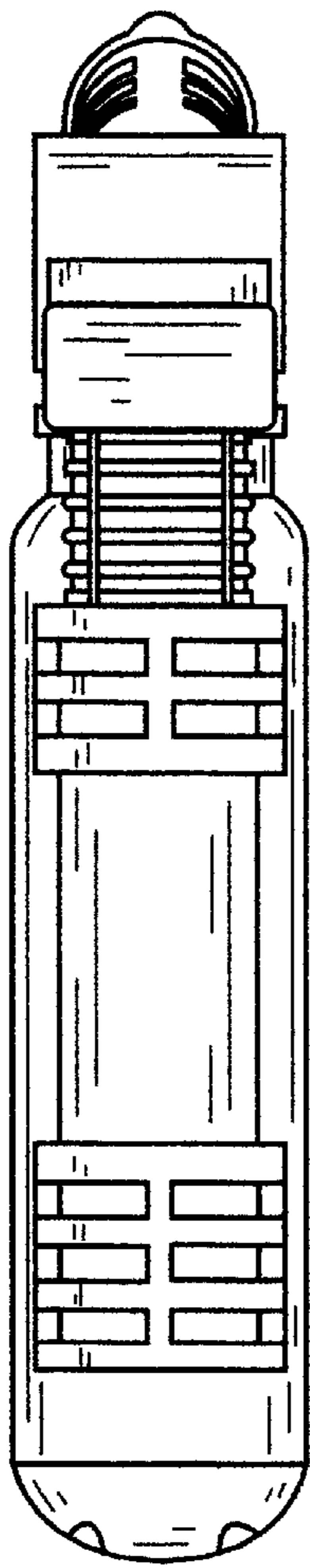


FIG. 4

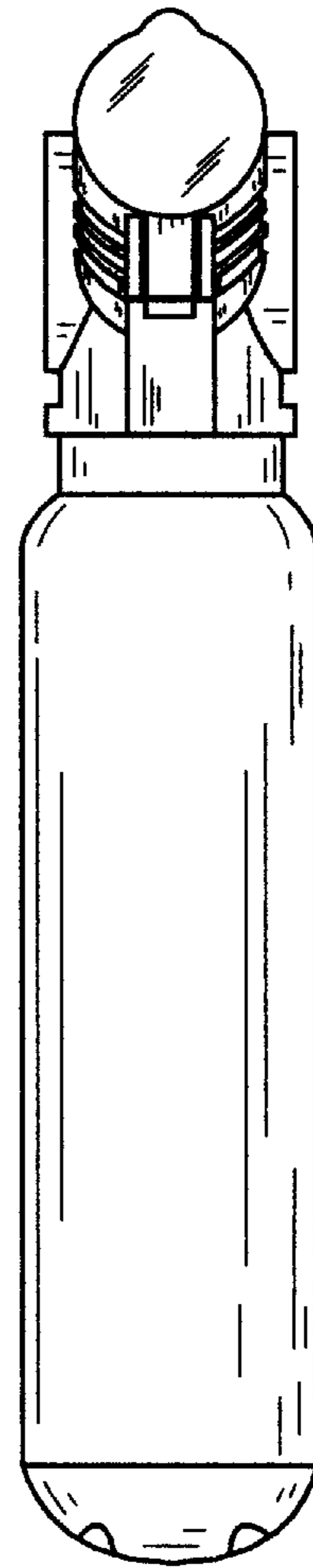


FIG. 5

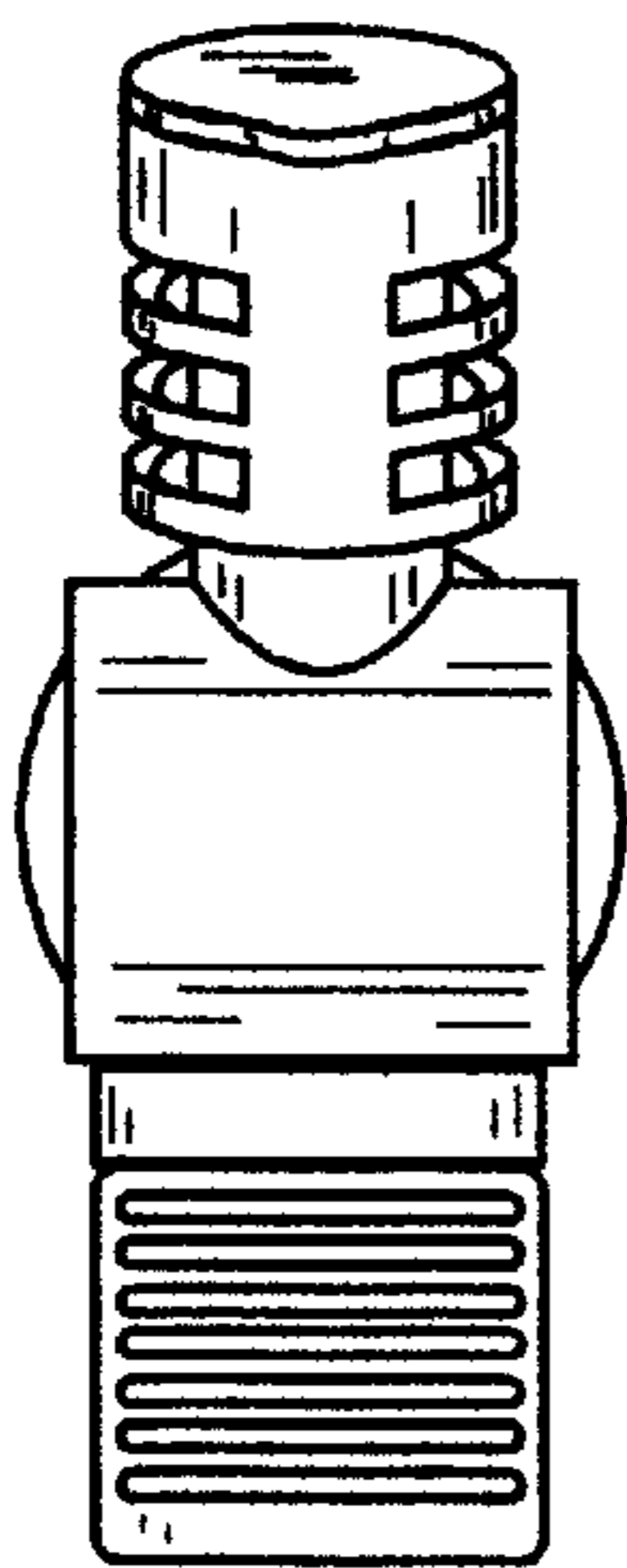


FIG. 6

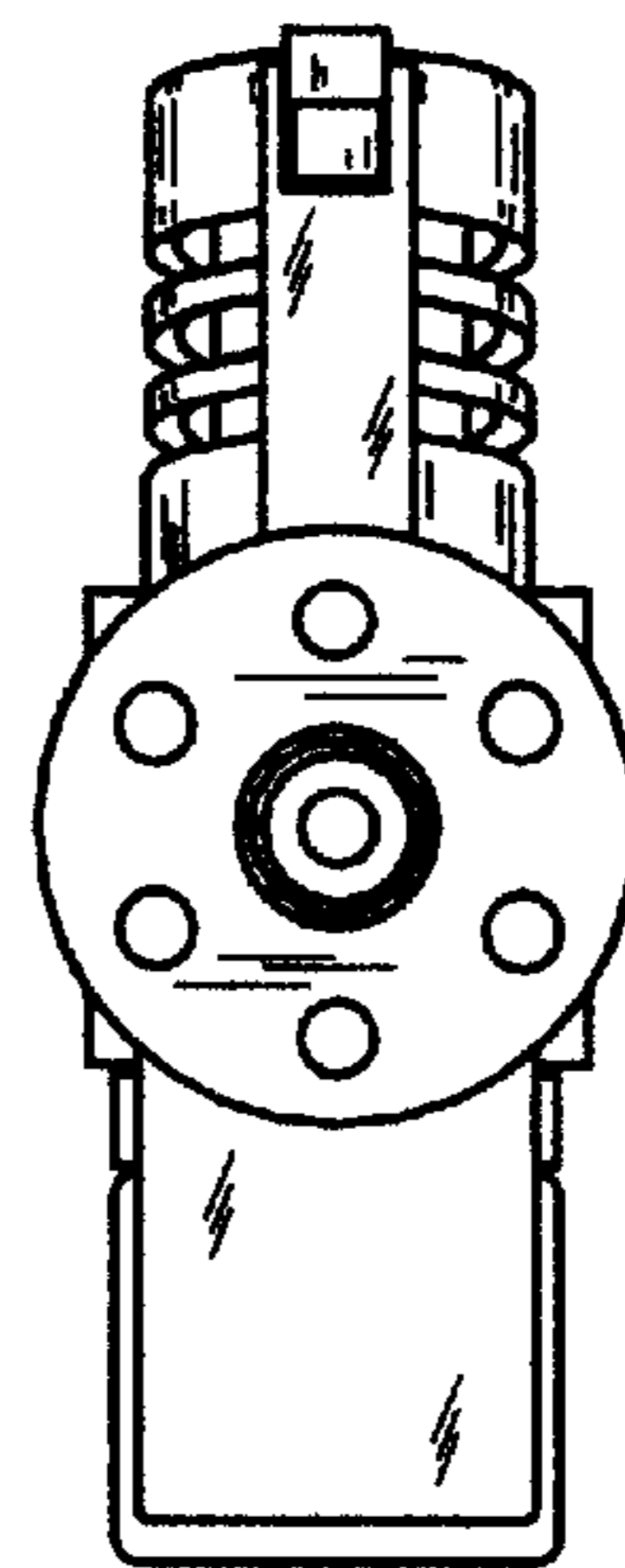


FIG. 7