



US00D444911S

(12) **United States Design Patent**  
**Lee**

(10) **Patent No.:** **US D444,911 S**

(45) **Date of Patent:** **\*\* Jul. 10, 2001**

(54) **WALL FIXTURE MOUNTING BASE**

(76) Inventor: **Ying-Jue Lee**, 7, Lane 530, Chung Hua Road, Sec. 1, Pa Li, Taipei Hsien (TW)

(\*\*) Term: **14 Years**

(21) Appl. No.: **29/131,283**

(22) Filed: **Oct. 18, 2000**

(51) **LOC (7) Cl.** ..... **26-05**

(52) **U.S. Cl.** ..... **D26/142**

(58) **Field of Search** ..... D26/87, 92, 155,  
D26/152, 142; 362/147, 404-408, 432

(56) **References Cited**

**U.S. PATENT DOCUMENTS**

- D. 372,328 \* 7/1996 Cheng ..... D26/142
- D. 423,711 \* 4/2000 Chan ..... D26/142

**OTHER PUBLICATIONS**

- Taiwan Lighting, Aug. 1996, p. 319, back plate # BE2.\*
- Taiwan Lighting, Aug. 1997, p. 323, back plate # BE6.\*

\* cited by examiner

*Primary Examiner*—Susan J. Lucas

(74) *Attorney, Agent, or Firm*—Dougherty & Troxell

(57) **CLAIM**

The ornamental design for a wall fixture mounting base, as shown and described.

**DESCRIPTION**

FIG. 1 is a front perspective view of a wall fixture mounting base showing my new design;

FIG. 2 is a front elevational view thereof;

FIG. 3 is a rear elevational view thereof;

FIG. 4 is a left side elevational view thereof;

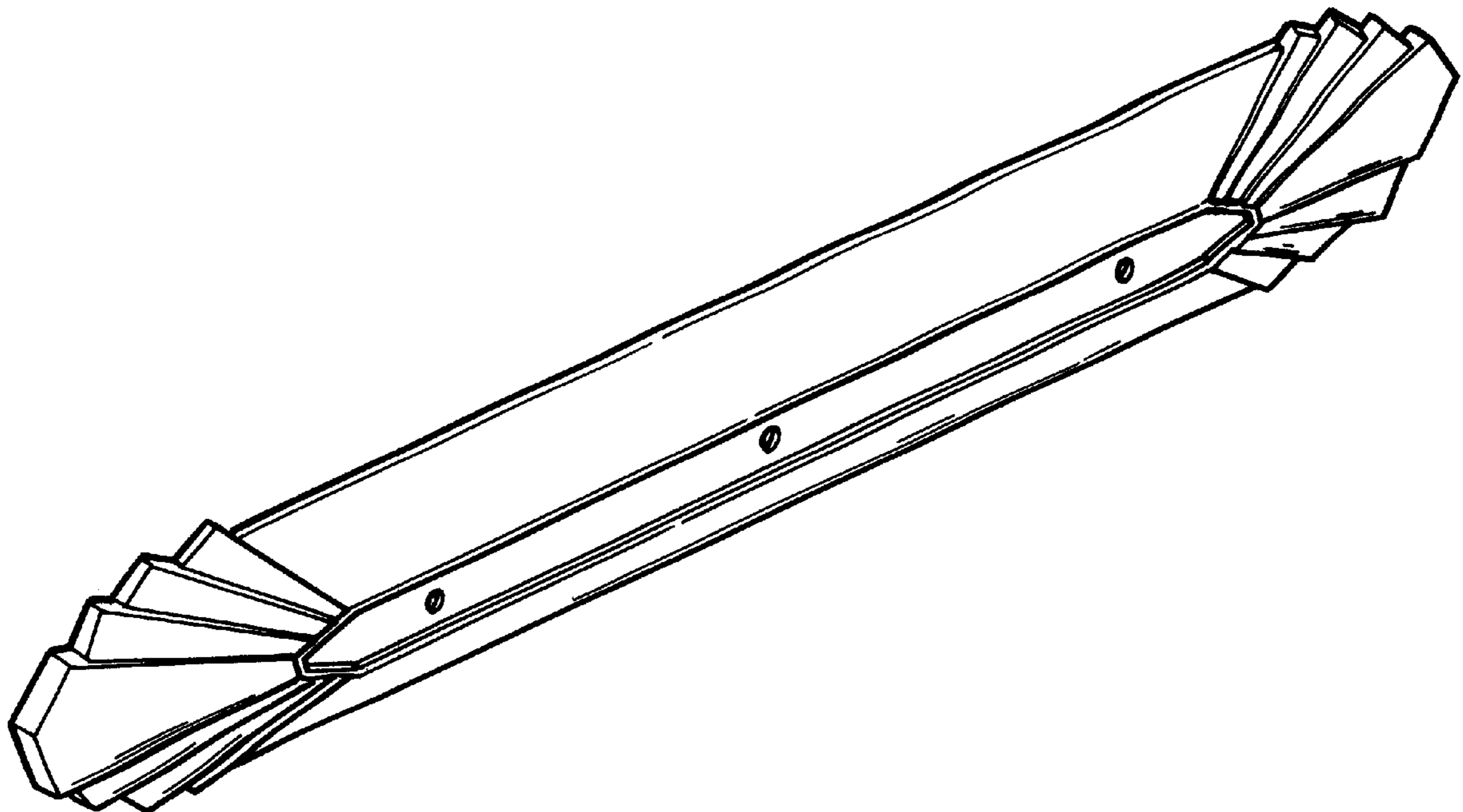
FIG. 5 is a right side elevational view thereof;

FIG. 6 is a top plan view thereof;

FIG. 7 is a bottom plan view thereof; and,

FIG. 8 is a front perspective view showing the wall fixture mounting base and three lamp holders shown in dotted line, for illustrative purpose only.

**1 Claim, 4 Drawing Sheets**



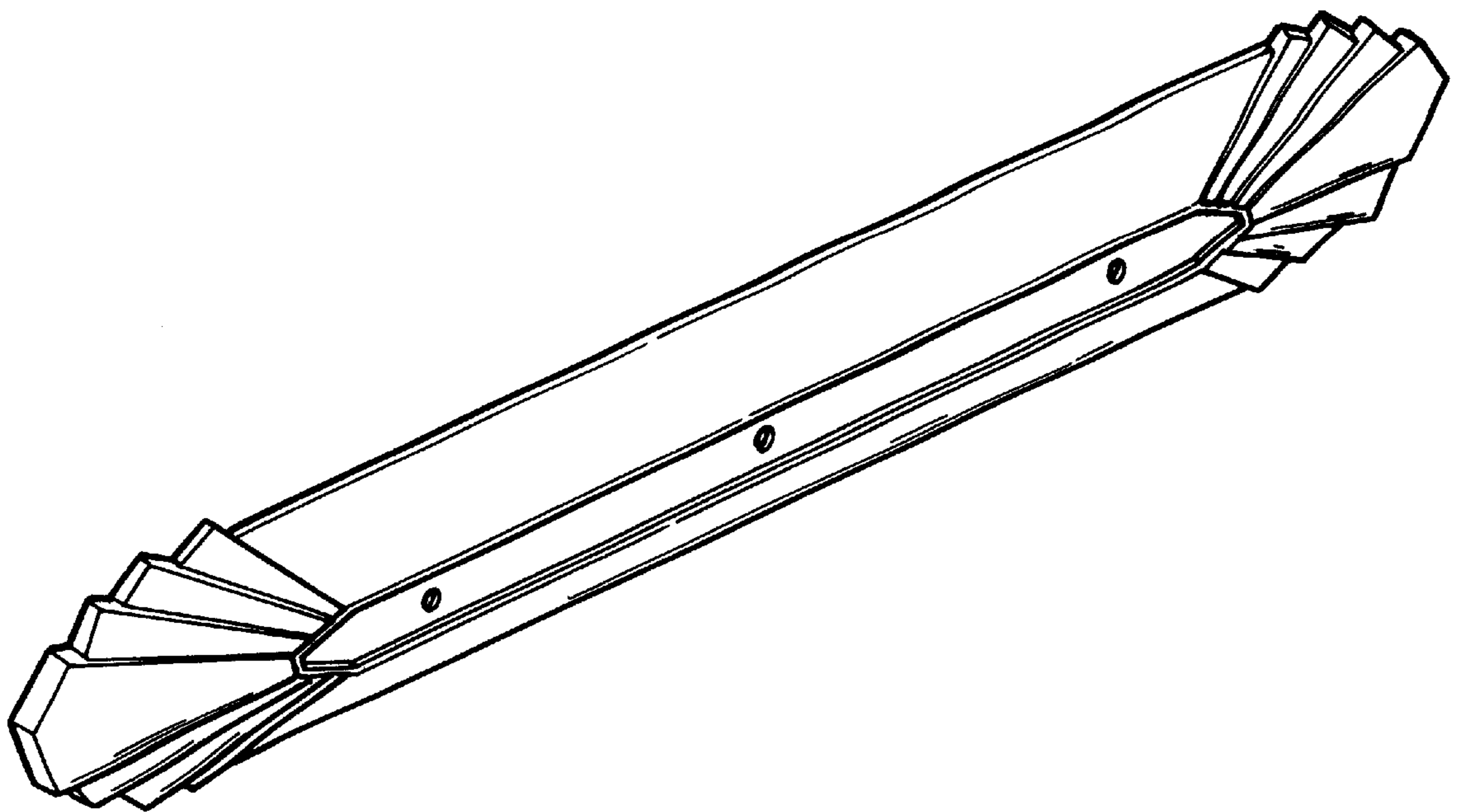


FIG .1

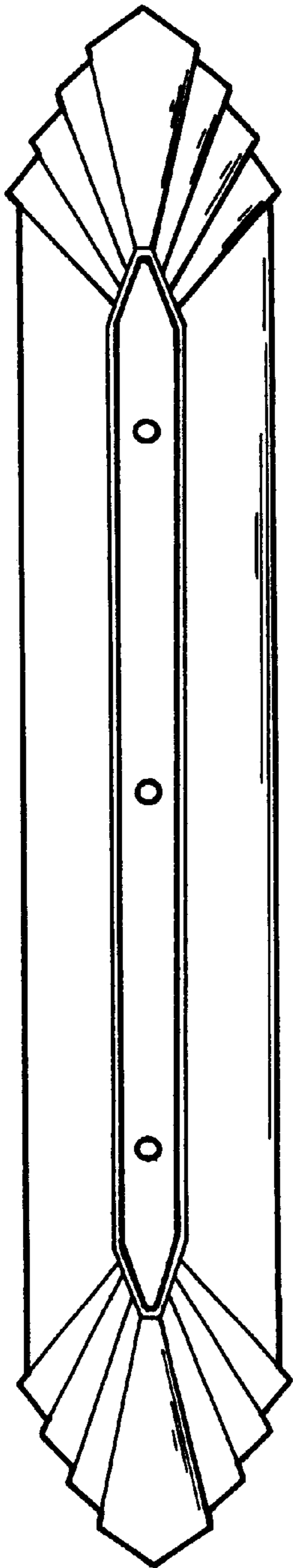


FIG. 2

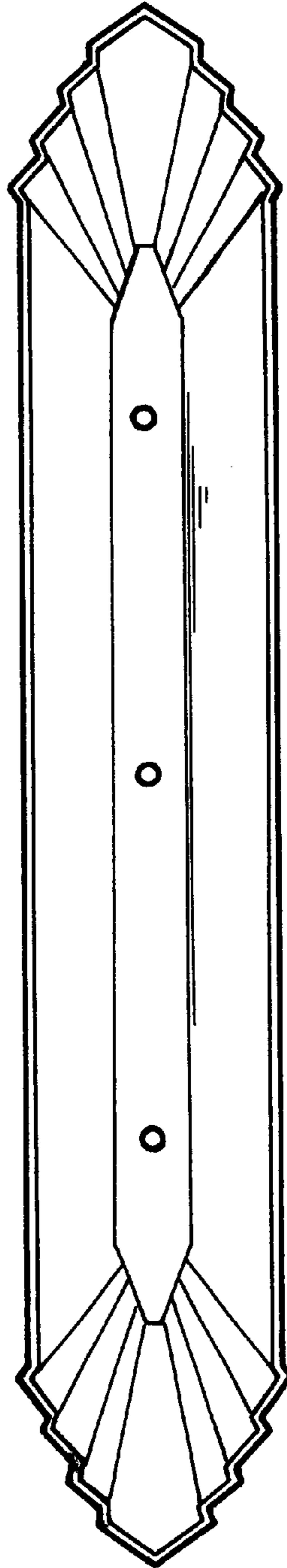


FIG. 3



FIG. 4



FIG. 5

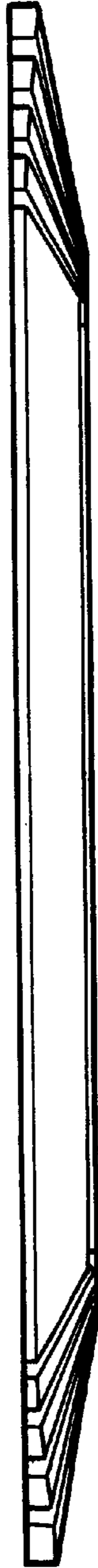


FIG. 6

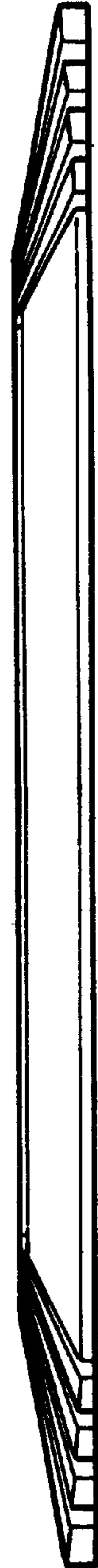


FIG. 7

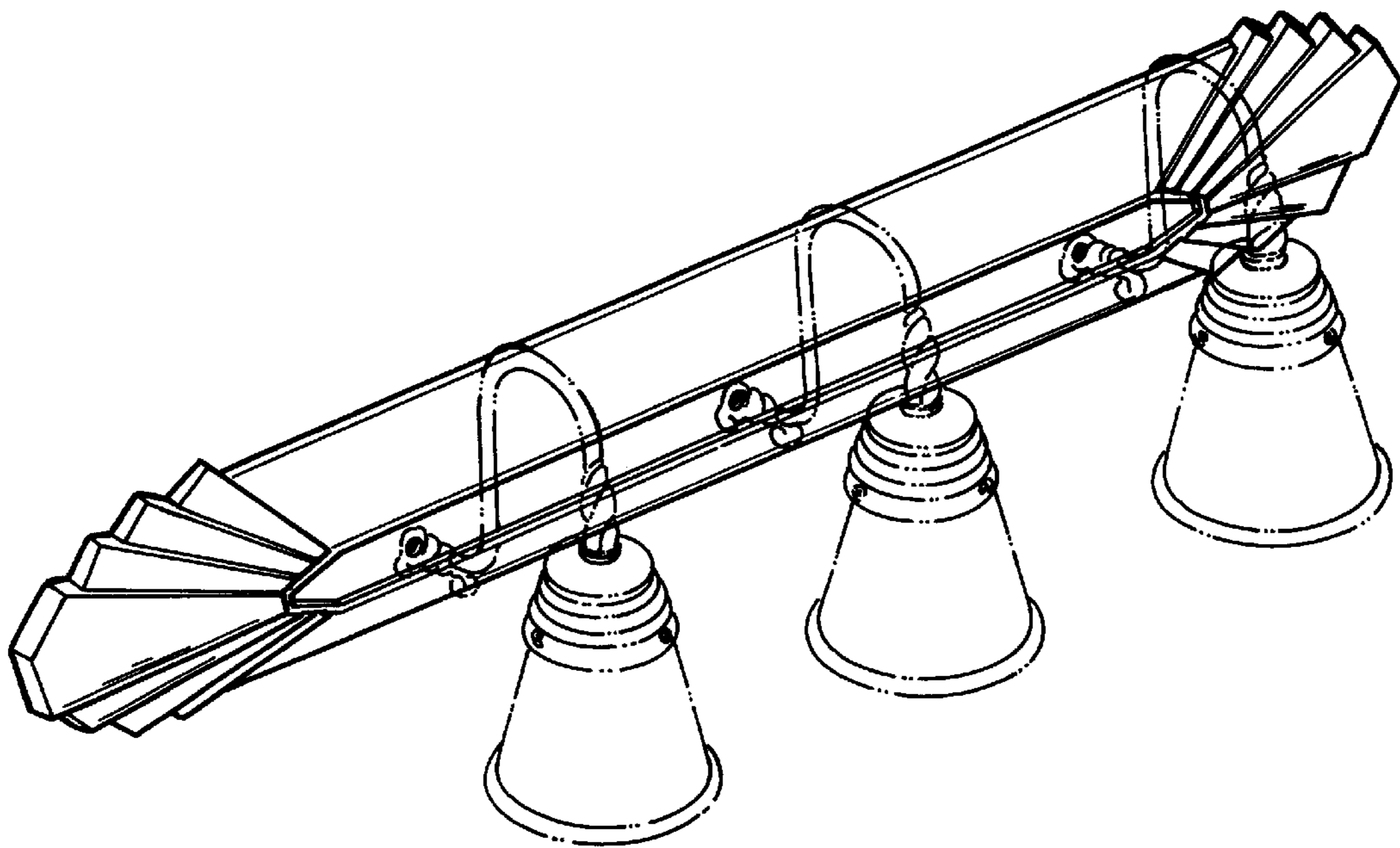


FIG . 8