



US00D444910S

(12) **United States Design Patent**  
**Lee**

(10) **Patent No.:** **US D444,910 S**

(45) **Date of Patent:** **\*\* Jul. 10, 2001**

(54) **WALL FIXTURE MOUNTING BASE**

(76) Inventor: **Ying-Jue Lee**, 7, Lane 530, Chung Hua Road, Sec. 1, Pa Li, Taipei Hsien (TW)

(\*\*) Term: **14 Years**

(21) Appl. No.: **29/131,245**

(22) Filed: **Oct. 18, 2000**

(51) **LOC (7) Cl.** ..... **26-99**

(52) **U.S. Cl.** ..... **D26/142**

(58) **Field of Search** ..... D26/72, 92, 142-145;  
362/147, 404-408, 432; D8/352

(56) **References Cited**

**U.S. PATENT DOCUMENTS**

D. 362,515	*	9/1995	Pickett	.....	D26/92
D. 372,330	*	7/1996	Cheng	.....	D26/142
D. 421,149	*	2/2000	Chen	.....	D26/142
D. 423,711	*	4/2000	Chen	.....	D26/142

\* cited by examiner

*Primary Examiner*—Joel Sincavage

*Assistant Examiner*—Linda Brooks

(74) *Attorney, Agent, or Firm*—Dougherty & Troxell

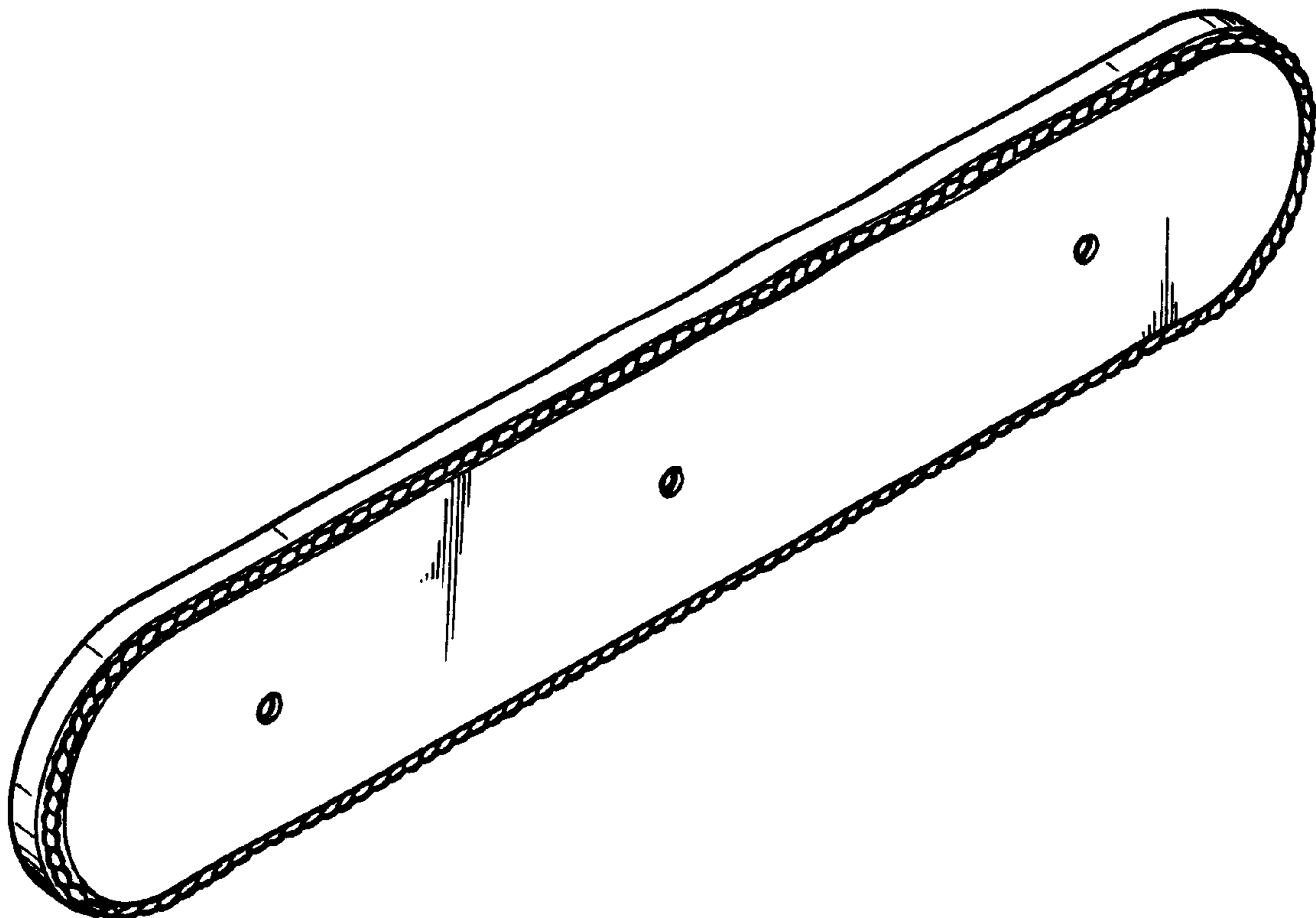
(57) **CLAIM**

The ornamental design for a wall fixture mounting base, as shown and described.

**DESCRIPTION**

FIG. 1 is a front perspective view of a wall fixture mounting base showing my new design;  
FIG. 2 is a front elevational view thereof;  
FIG. 3 is a rear elevational view thereof;  
FIG. 4 is a left side elevational view thereof;  
FIG. 5 is a right side elevational view thereof;  
FIG. 6 is a top plan view thereof;  
FIG. 7 is a bottom plan view thereof; and,  
FIG. 8 is a front perspective view showing the wall fixture mounting base with three lamp holders shown in broken lines, for illustrative purposes only and forming no part of the claimed design.

**1 Claim, 4 Drawing Sheets**



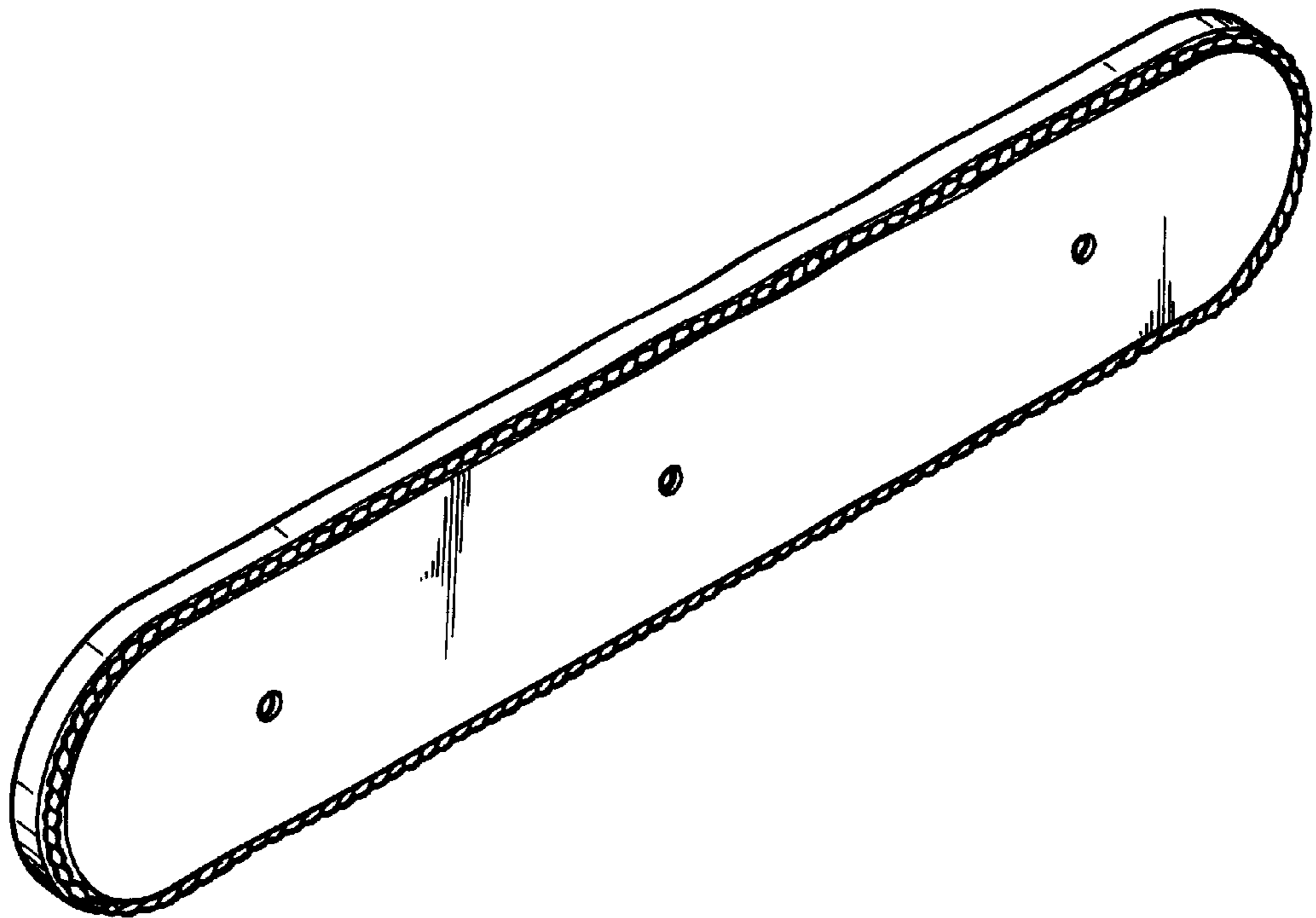


FIG. 1

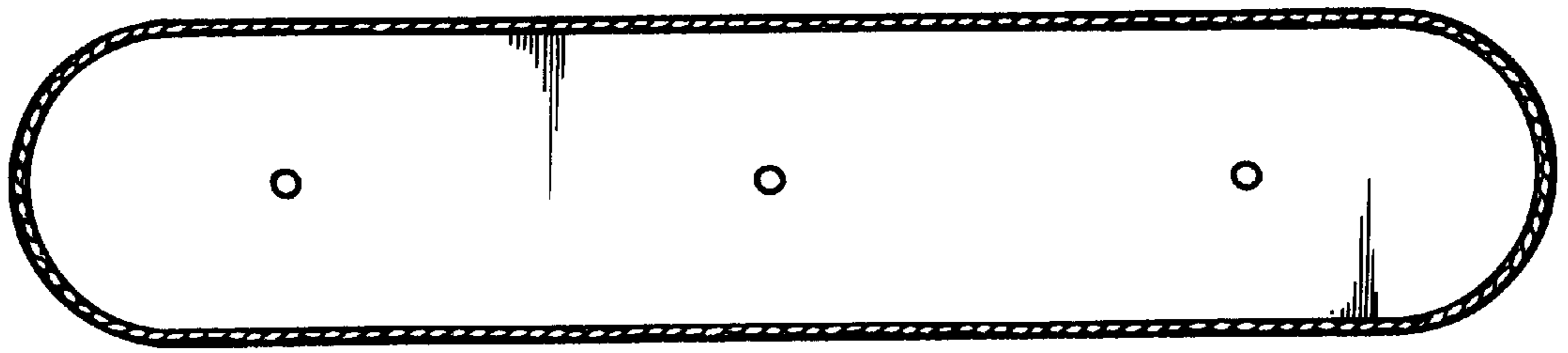


FIG. 2

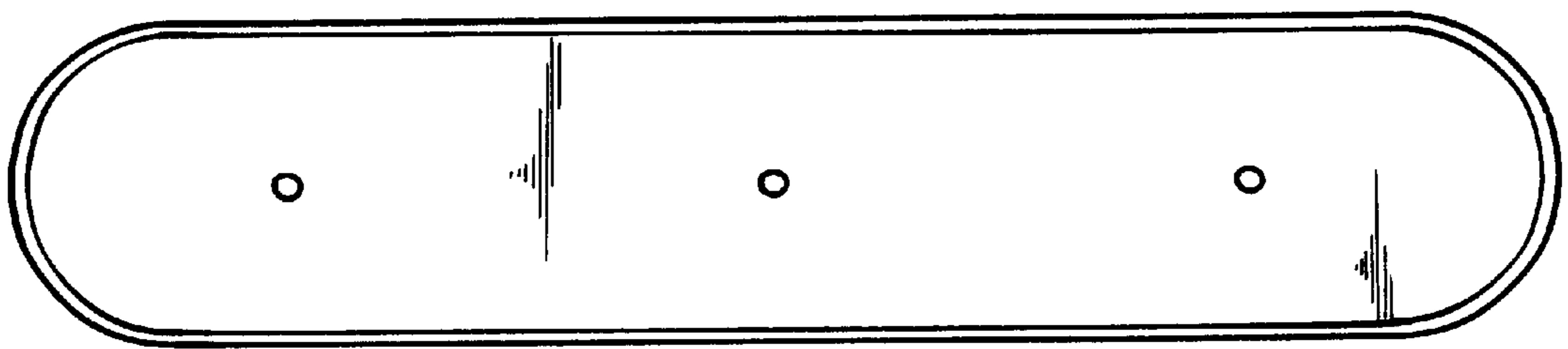


FIG. 3



FIG. 4



FIG. 5



FIG. 6

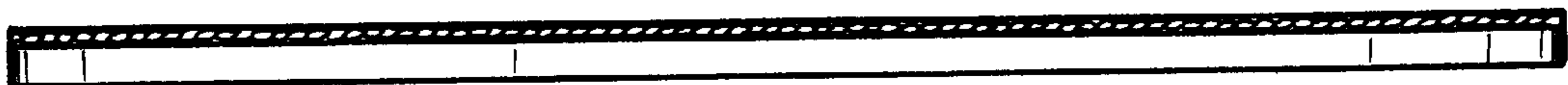


FIG. 7

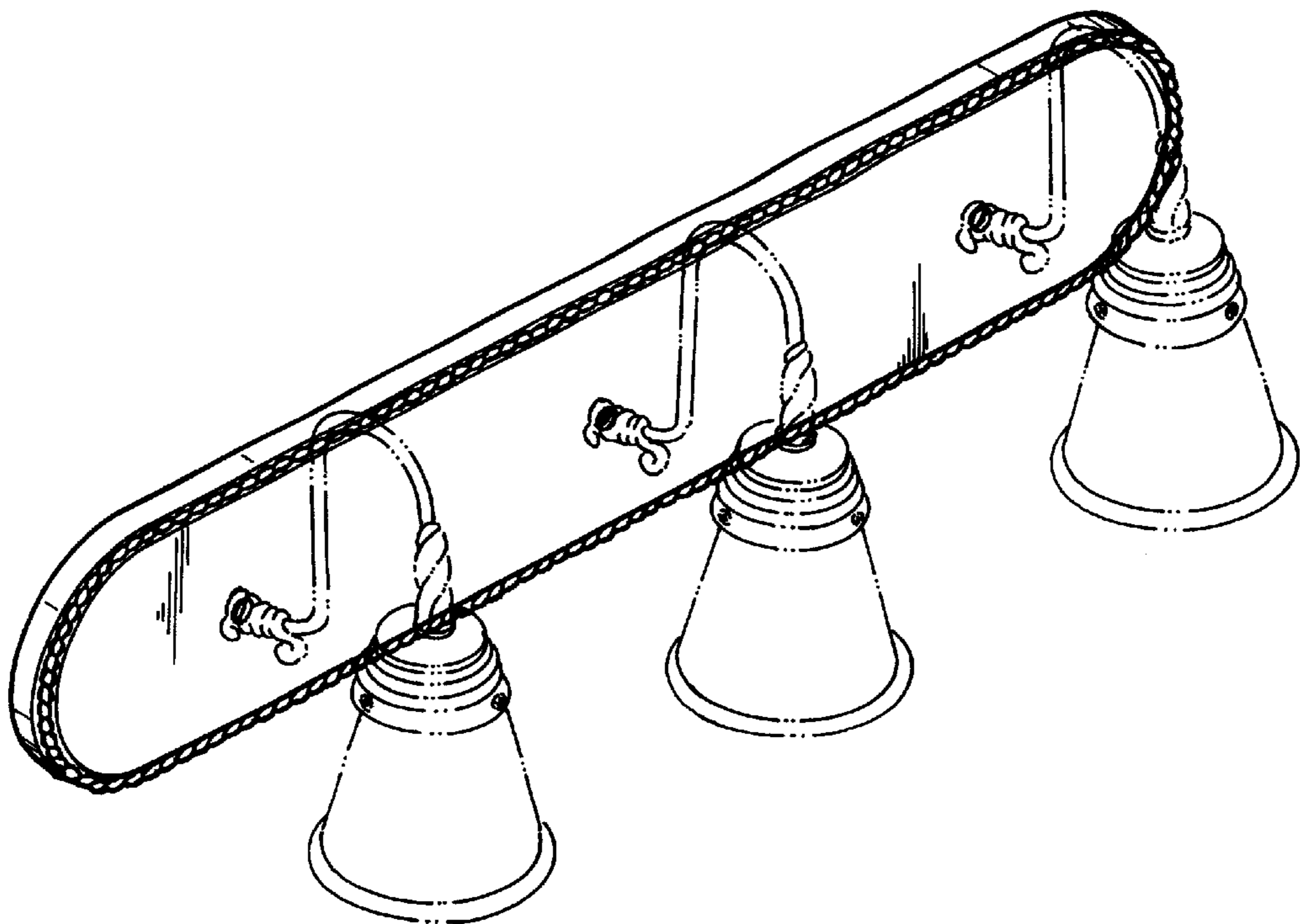


FIG. 8