



US00D444907S

(12) **United States Design Patent**
Hsu

(10) **Patent No.:** **US D444,907 S**

(45) **Date of Patent:** **** Jul. 10, 2001**

(54) **TABLE LAMP**

(76) **Inventor:** **Peter Hsu**, Fl.11, No.195 Ning Hsia Road, Taichung (TW)

(**) **Term:** **14 Years**

(21) **Appl. No.:** **29/133,156**

(22) **Filed:** **Nov. 24, 2000**

(51) **LOC (7) Cl.** **26-03**

(52) **U.S. Cl.** **D26/109**

(58) **Field of Search** D26/93-112; 362/410-414, 362/431, 806, 122

(56) **References Cited**

U.S. PATENT DOCUMENTS

D. 194,548	*	2/1963	Slaton	D26/101
D. 331,814	*	12/1992	Meck et al.	D26/109
D. 338,981	*	8/1993	Meck et al.	D26/109
D. 360,278	*	7/1995	Chen	D26/109
D. 428,665	*	7/2000	Hsu	D26/110

OTHER PUBLICATIONS

Kaarol Thomas' Shelburne Collection sales catalog, lamp numbers S-312-G and S-312-B, Feb. 1991.*

* cited by examiner

Primary Examiner—Joel Sincavage

Assistant Examiner—Linda Brooks

(74) *Attorney, Agent, or Firm*—Rosenberg, Klein & Lee

(57) **CLAIM**

The ornamental design for a table lamp, as shown and described.

DESCRIPTION

FIG. 1 is a perspective view of table lamp showing my new design;

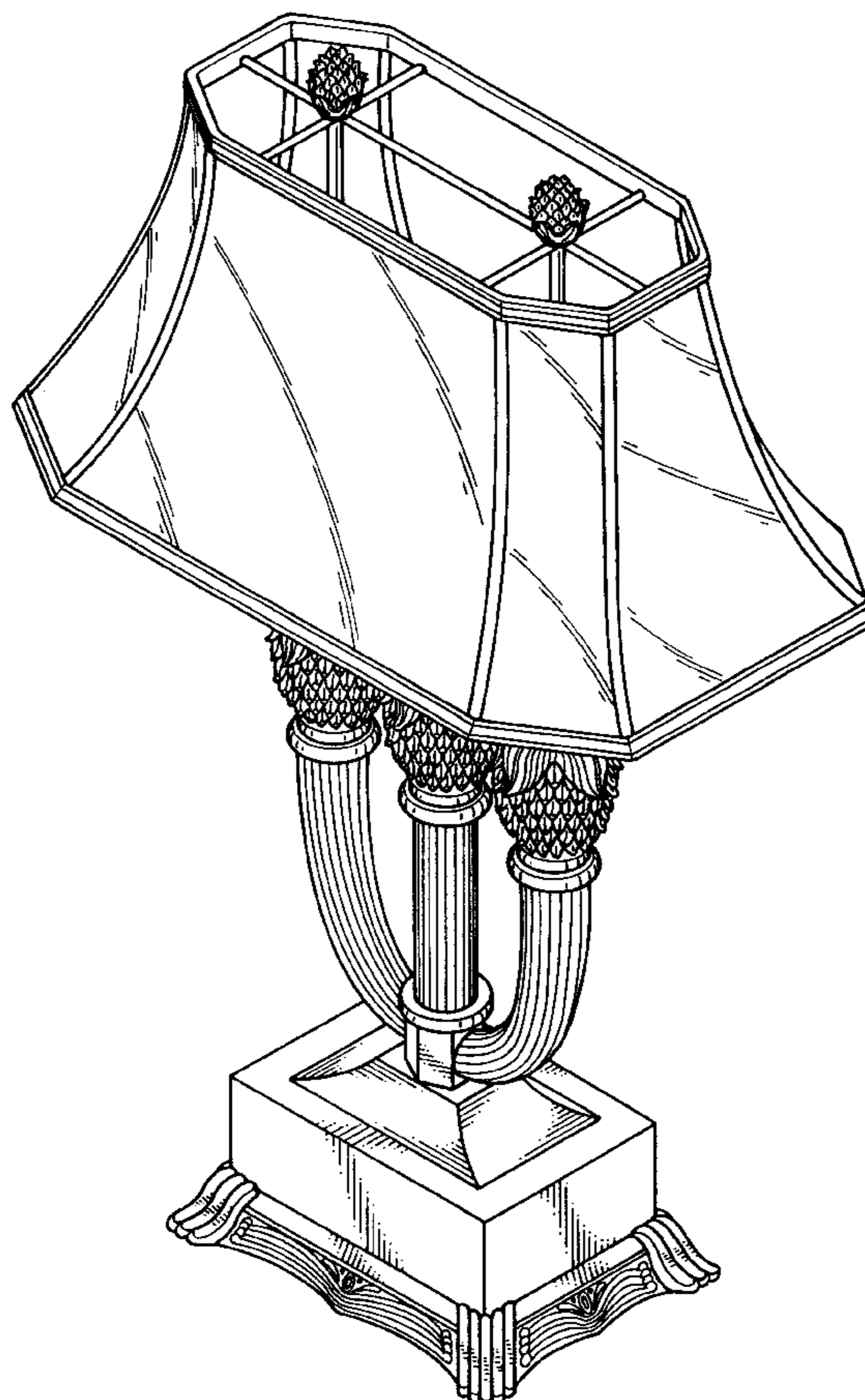
FIG. 2 is a front elevation view, the rear elevation view thereof being identical in appearance;

FIG. 3 is a left side elevation view, the right side elevation view thereof being identical in appearance;

FIG. 4 is a top plan view thereof; and,

FIG. 5 is a bottom plan view thereof.

1 Claim, 4 Drawing Sheets



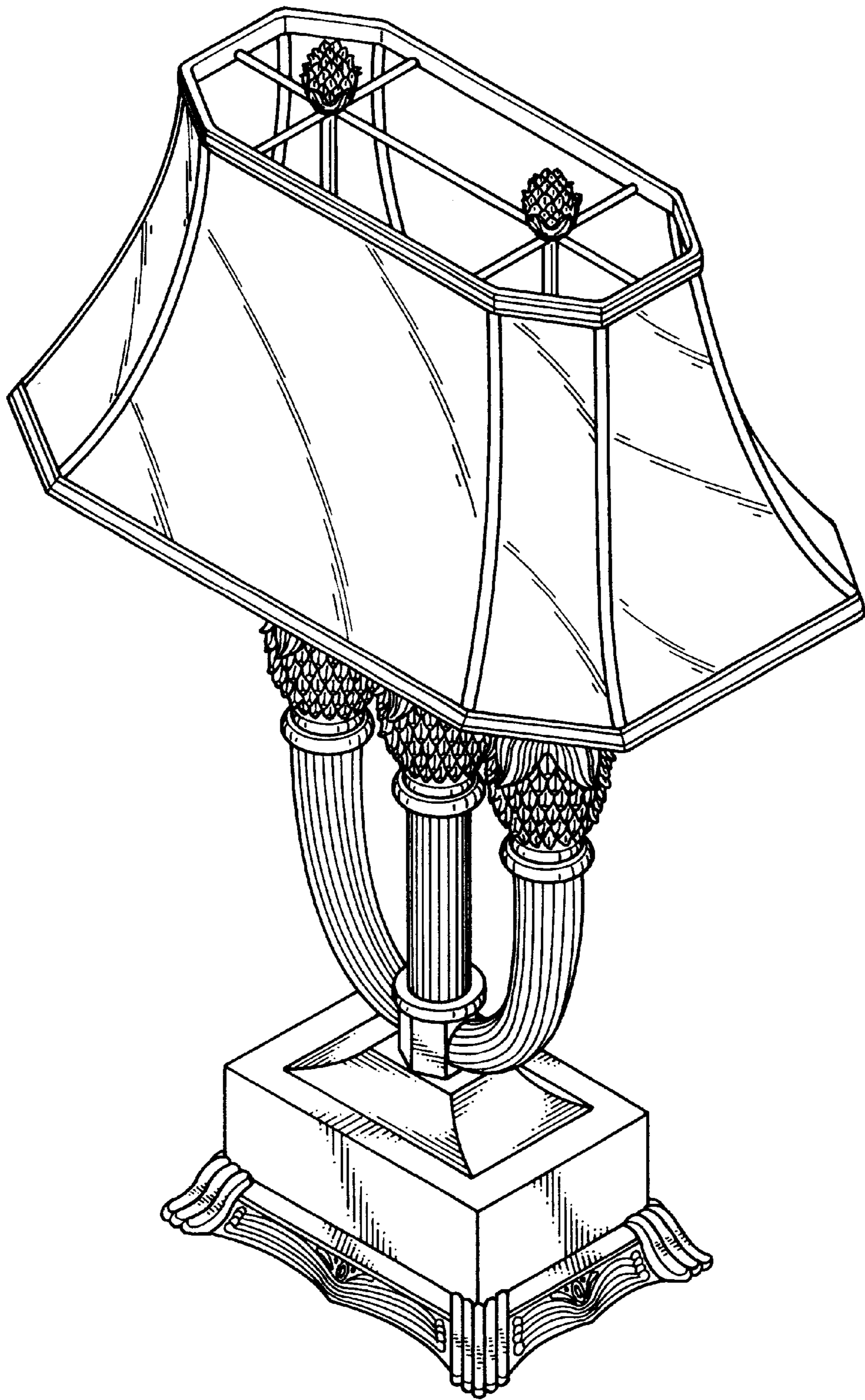


FIG. 1

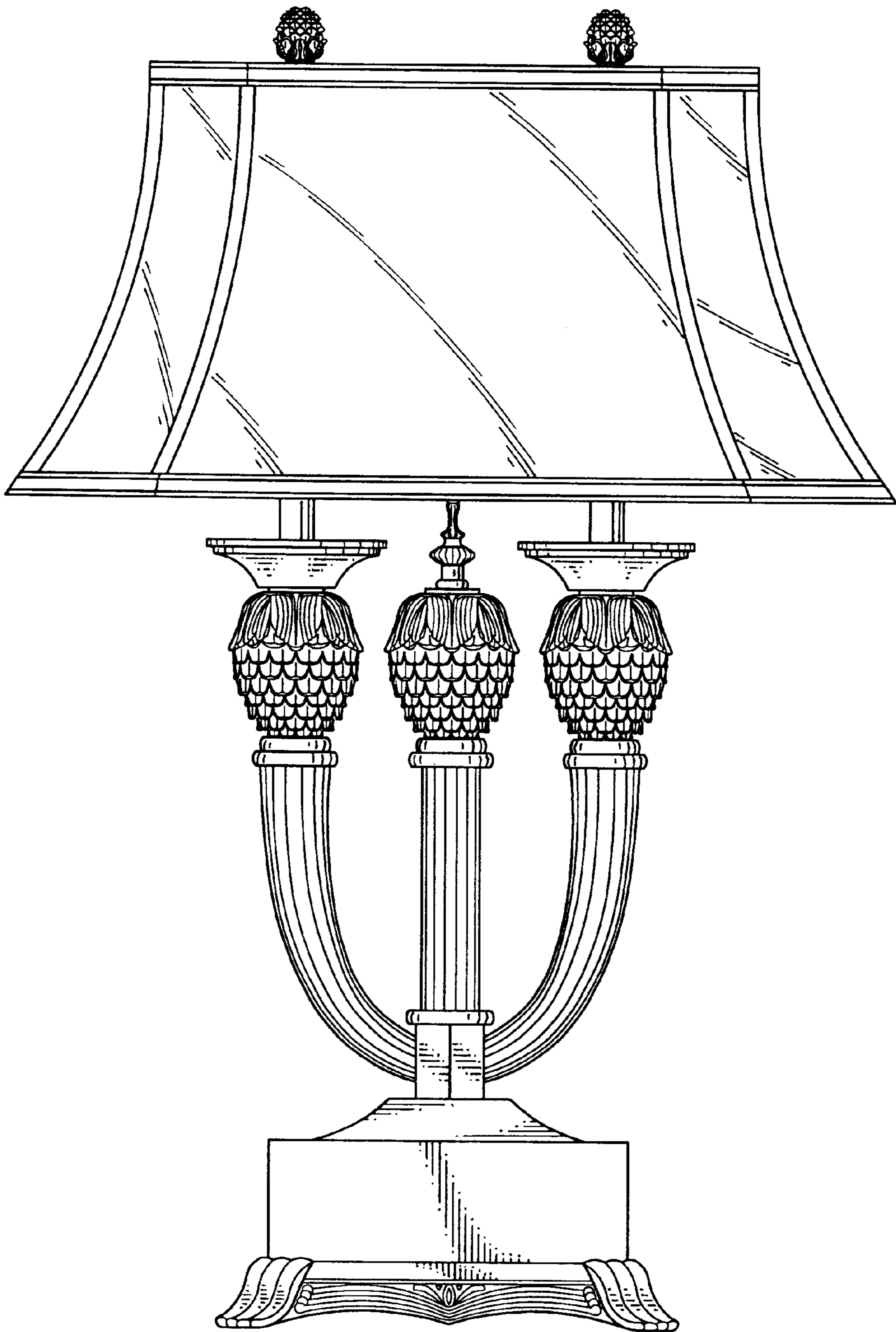


FIG. 2

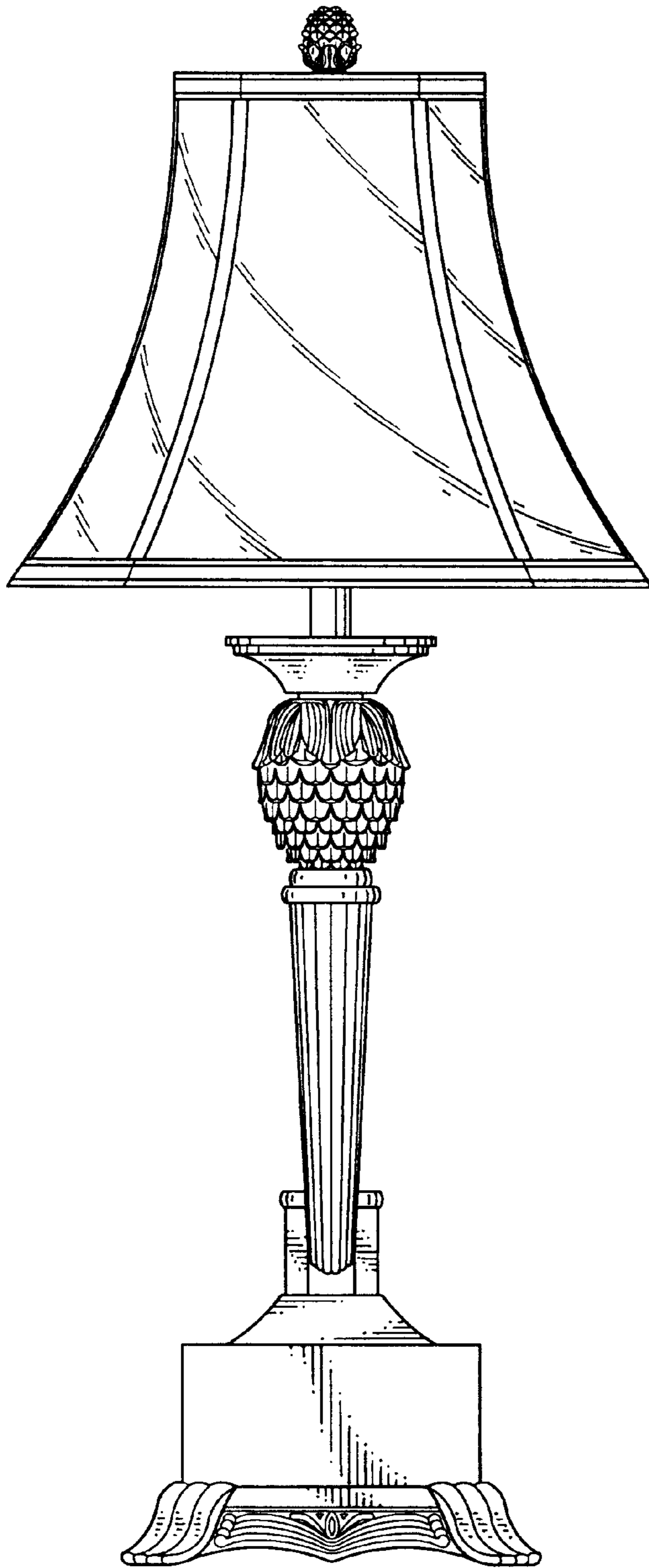


FIG. 3

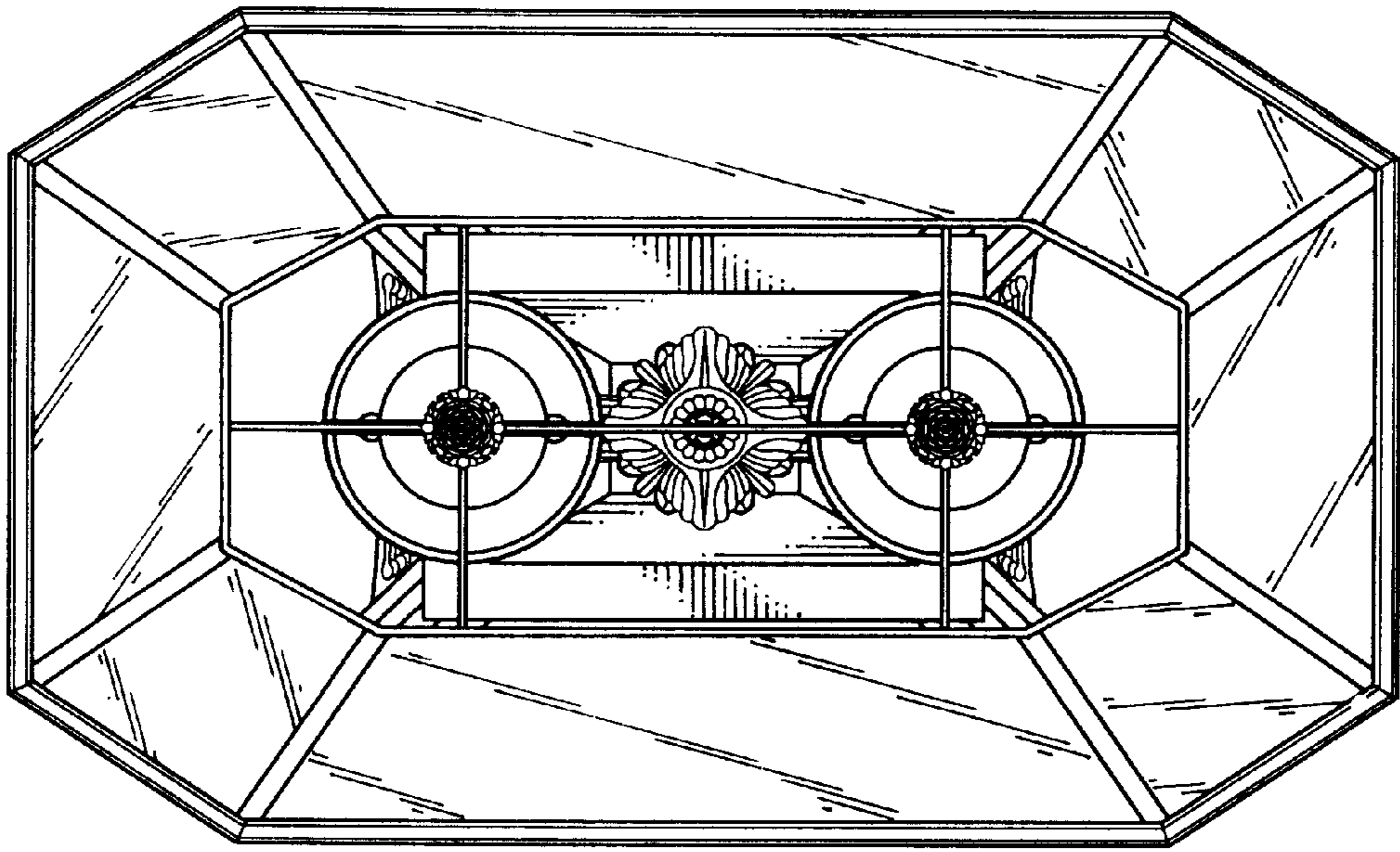


FIG. 4

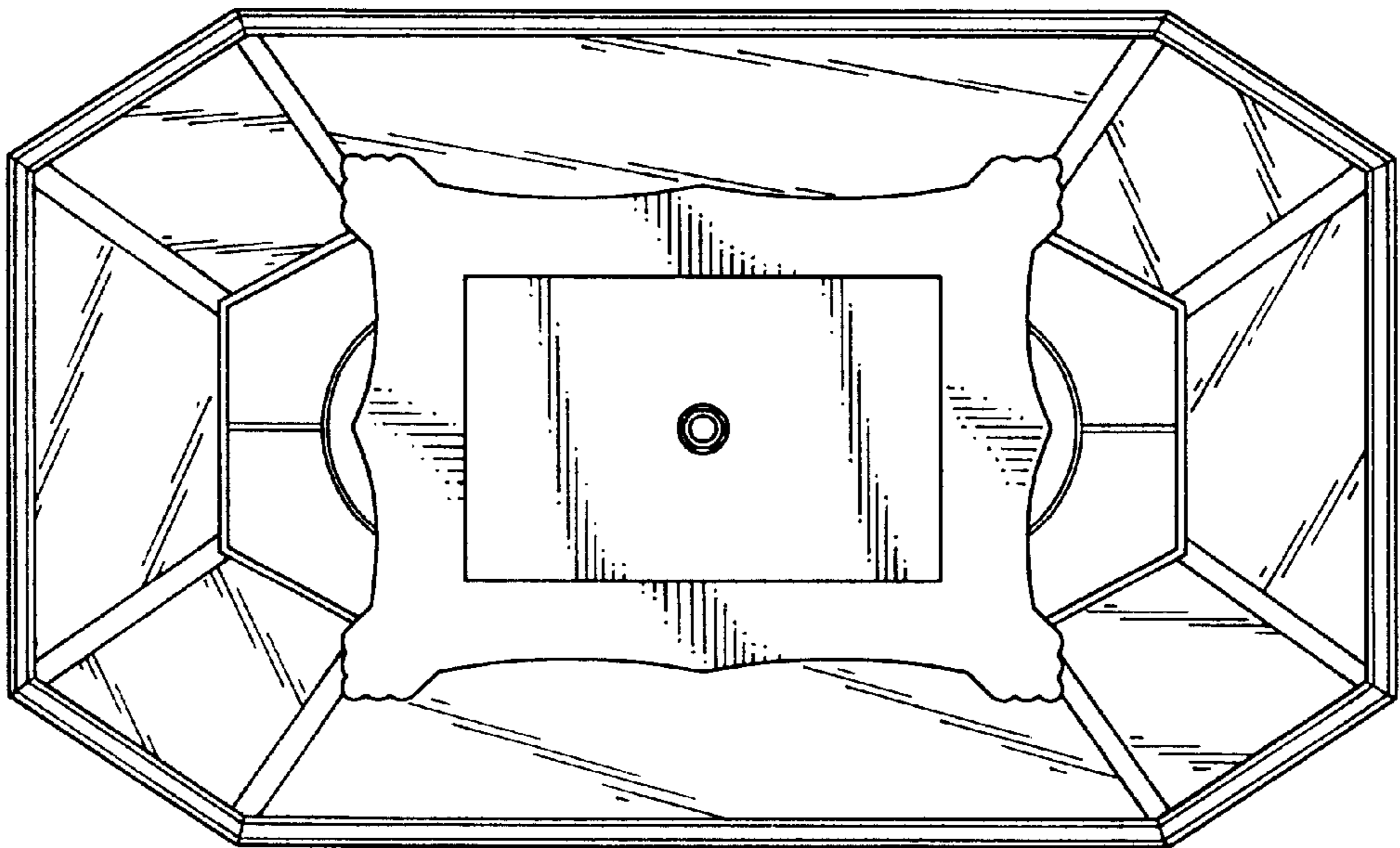


FIG. 5