



US00D444906S

(12) **United States Design Patent** (10) **Patent No.:** **US D444,906 S**
Orozco (45) **Date of Patent:** **** Jul. 10, 2001**

(54) **LAMP**
(75) Inventor: **Sergio J. Orozco**, West New York, NJ (US)
(73) Assignee: **Quoizel, Inc.**, Goose Creek, SC (US)
(**) Term: **14 Years**
(21) Appl. No.: **29/132,428**
(22) Filed: **Nov. 8, 2000**
(51) **LOC (7) Cl.** **26-03**
(52) **U.S. Cl.** **D26/101**
(58) **Field of Search** D26/92-112, 142;
362/410-414, 122, 806

Primary Examiner—Alan P. Douglas
Assistant Examiner—Linda Brooks
(74) *Attorney, Agent, or Firm*—Nelson Mullins Riley & Scarborough

(57) **CLAIM**

The ornamental design for a lamp, substantially as shown and described.

DESCRIPTION

FIG. 1 is a perspective view of a lamp embodying the design of the present invention.

FIG. 2 is a front side elevational view of the lamp illustrated in FIG. 1, with the right side elevational view, left side elevational view and back side elevational view being identical thereto.

FIG. 3 is a top view of the lamp of FIG. 1; and,

FIG. 4 is a bottom view of the lamp of FIG. 1.

The lamp shade shown in broken lines does not form a part of the claimed design.

(56) **References Cited**
U.S. PATENT DOCUMENTS
D. 41,467 * 6/1911 Ewing D26/101
D. 170,075 * 7/1953 Borowitz D26/101
D. 366,342 * 1/1996 Porter et al. D26/101
D. 380,573 * 7/1997 Porter et al. D26/101

OTHER PUBLICATIONS
Home Lighting & Accessories, Royal Designs lamp base on p. 52, Jun. 1997.*

* cited by examiner

1 Claim, 3 Drawing Sheets

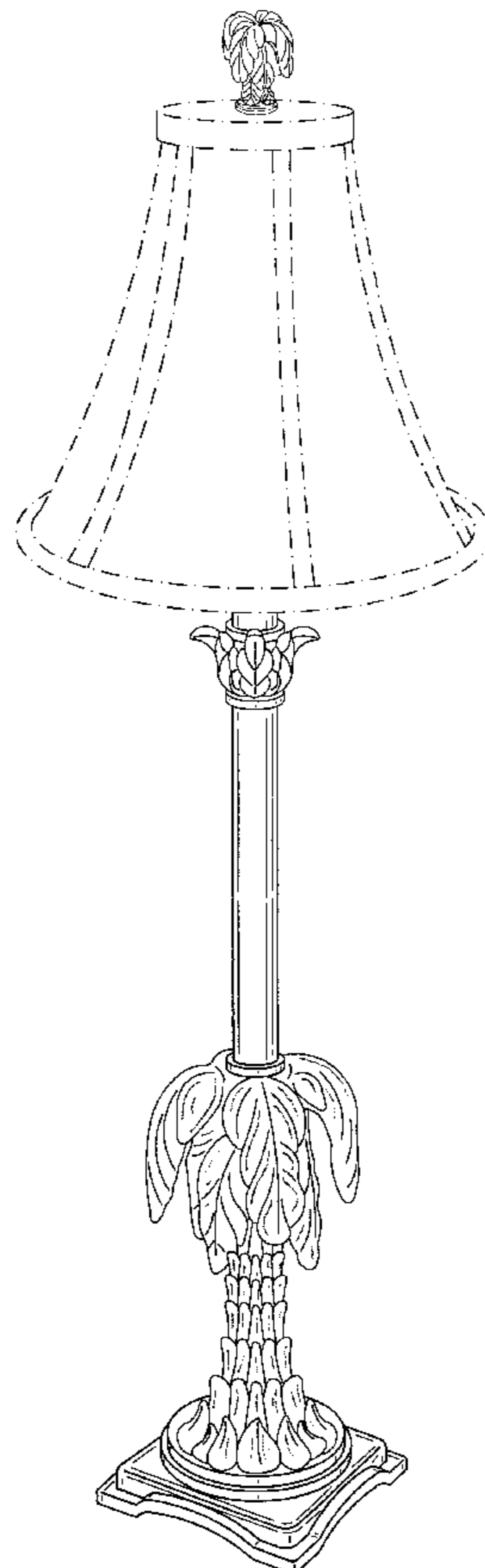


FIG. 1

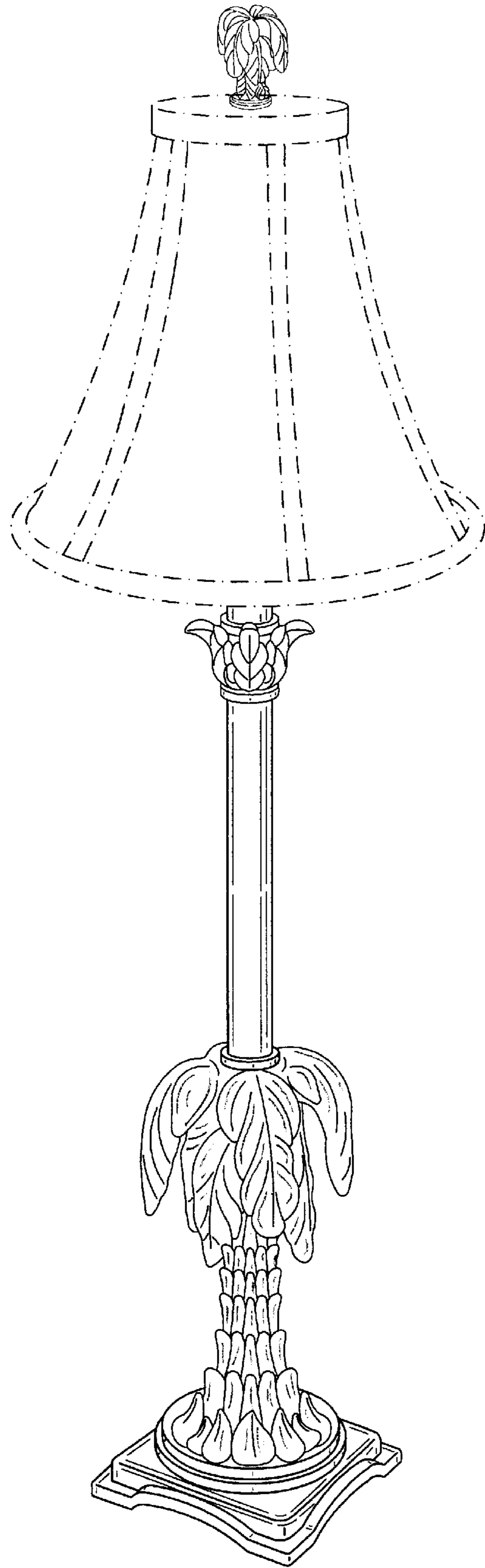


FIG. 2

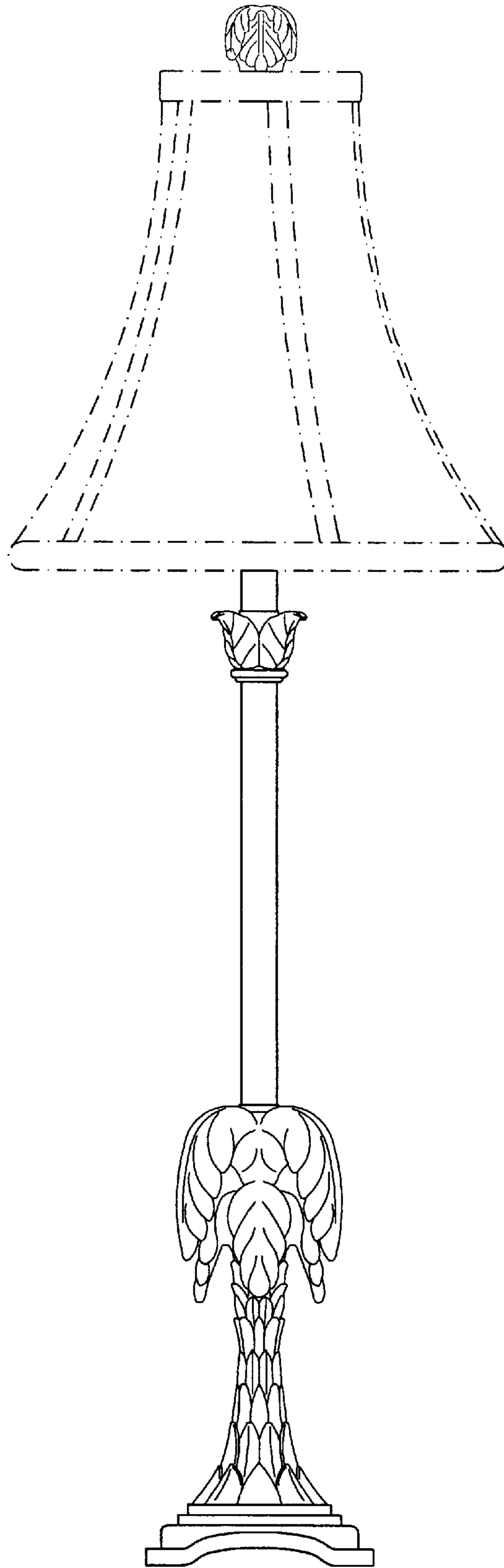


FIG. 3

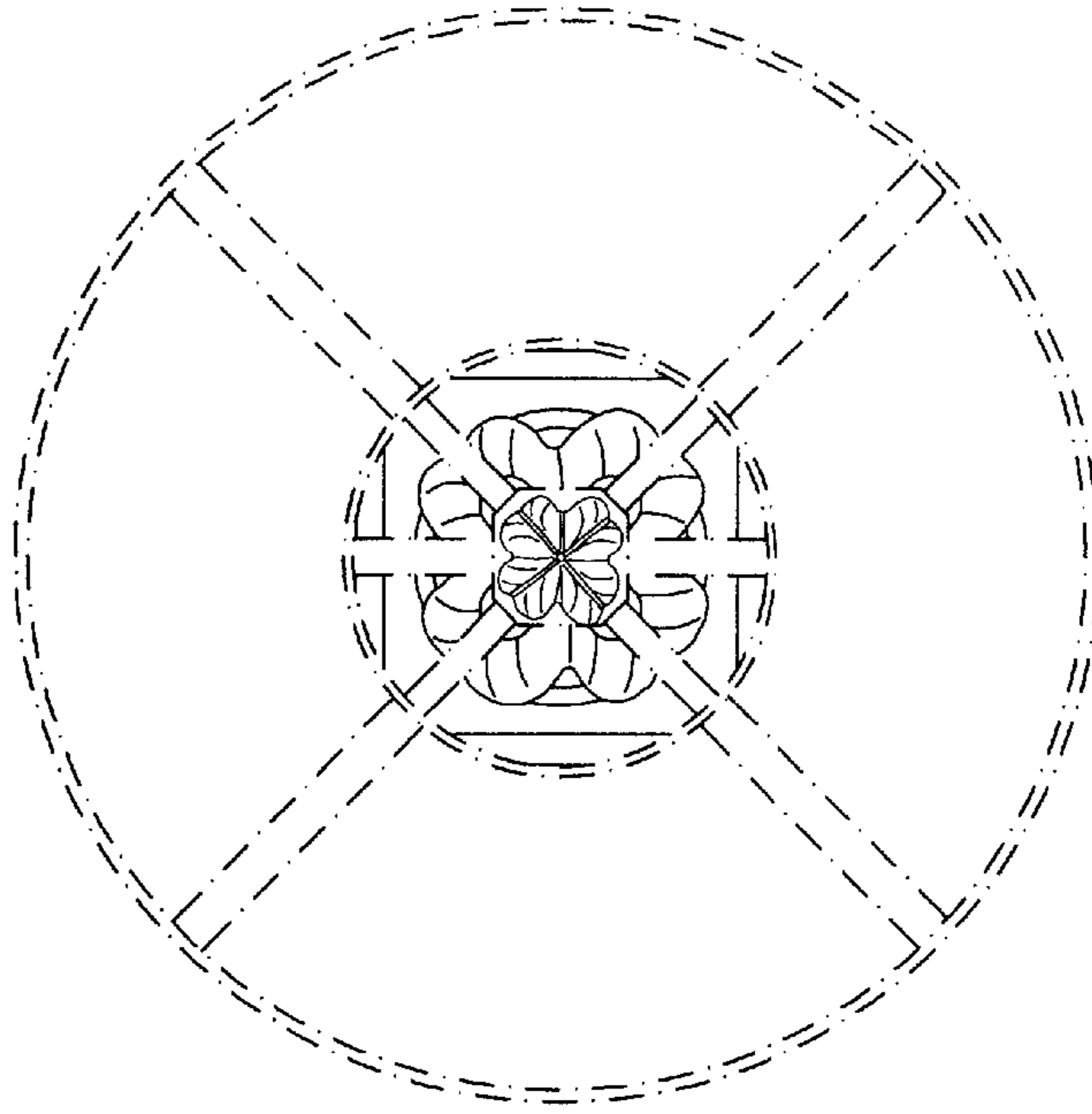


FIG. 4

