



US00D444904S

(12) **United States Design Patent**
Orozco

(10) **Patent No.:** **US D444,904 S**

(45) **Date of Patent:** **** Jul. 10, 2001**

(54) **LIGHT FIXTURE**

(75) Inventor: **Sergio J. Orozco**, West New York, NJ (US)

(73) Assignee: **Quoizel, Inc.**, Goose Creek, SC (US)

(**) Term: **14 Years**

(21) Appl. No.: **29/124,744**

(22) Filed: **Jun. 8, 2000**

(51) **LOC (7) Cl.** **26-05**

(52) **U.S. Cl.** **D26/86**

(58) **Field of Search** D26/72, 80-92;
362/147, 407-408, 432

(56) **References Cited**

PUBLICATIONS

Murray Feiss lighting catalog, mar. 1995, p. FX 63, chandelier # F1529/5 WT.*

Hinkley lighting catalog, 1990, p. 3, wall lamp # 4202.*

* cited by examiner

Primary Examiner—Susan J. Lucas

(74) *Attorney, Agent, or Firm*—Nelson Mullins Riley & Scarborough

(57) **CLAIM**

The ornamental design for a light fixture, substantially as shown and described.

DESCRIPTION

FIG. 1 is a perspective view of a light fixture embodying the design of the present invention.

FIG. 2 is a front elevational view of the light fixture illustrated in FIG. 1.

FIG. 3 is a left side elevational view of the light fixture of FIG. 1.

FIG. 4 is a back elevational view of the light fixture of FIG. 1.

FIG. 5 is a top view of the light fixture of FIG. 1; and, FIG. 6 is a bottom view of the light fixture of FIG. 1.

1 Claim, 6 Drawing Sheets

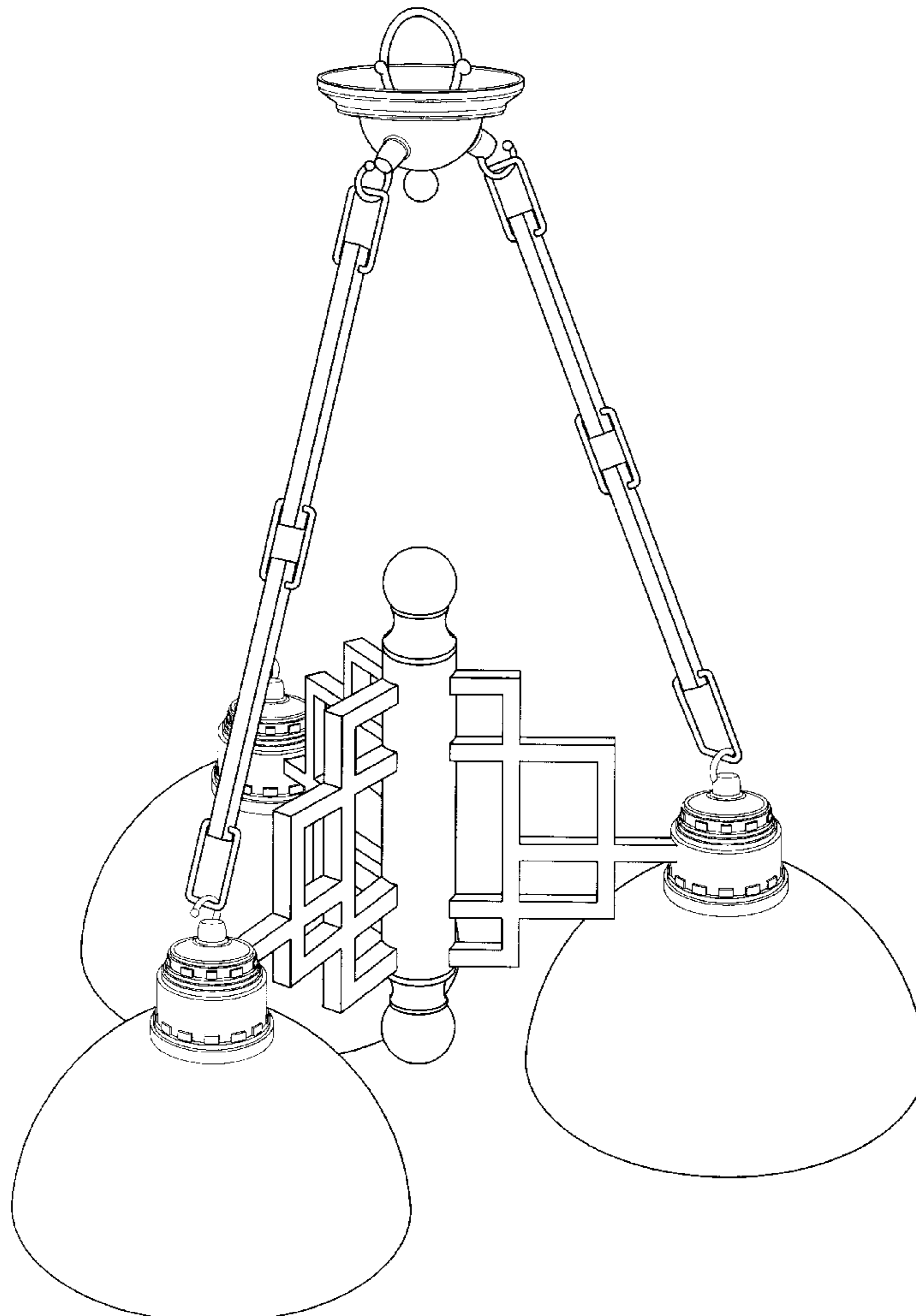


FIG. 1

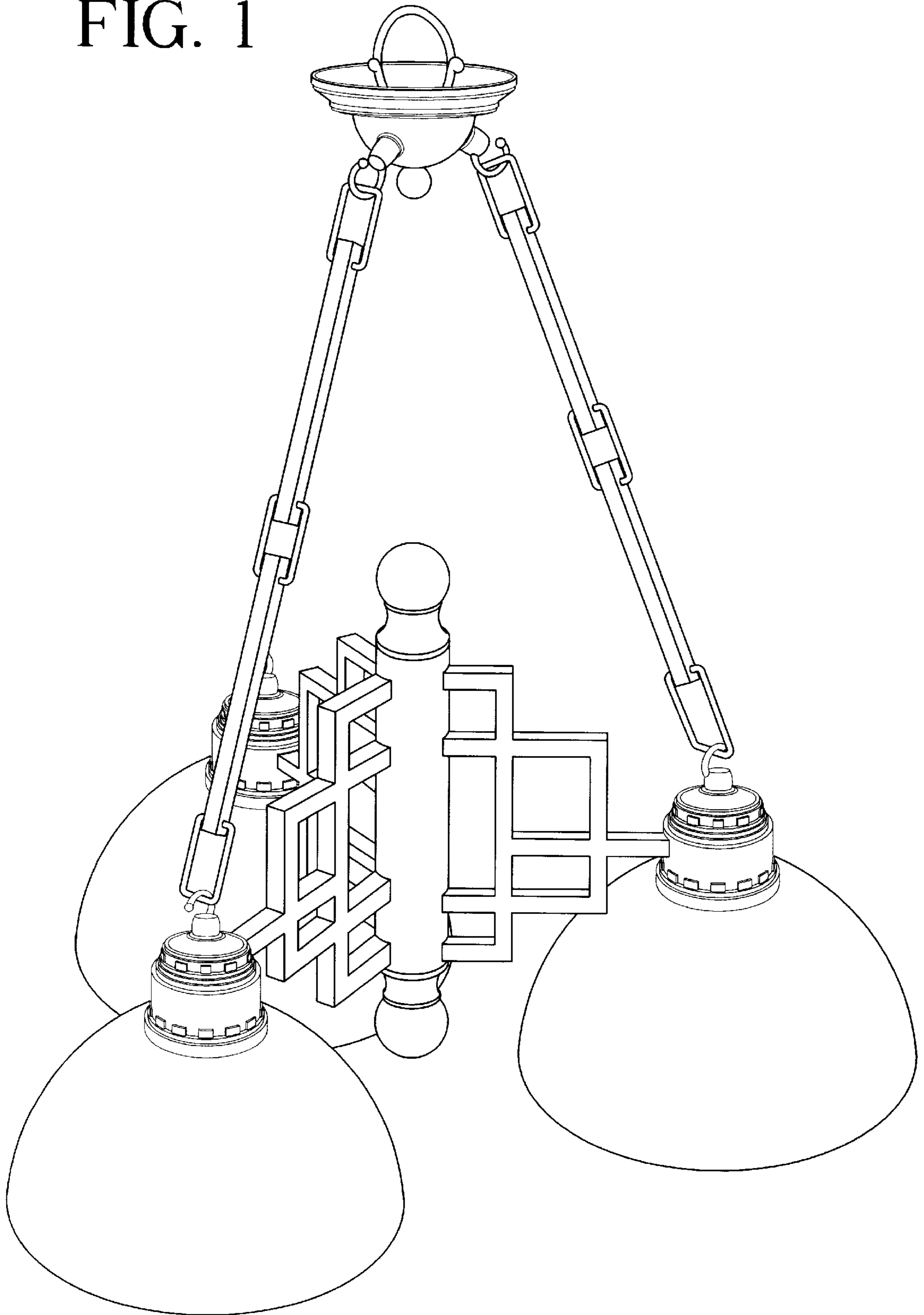


FIG. 2

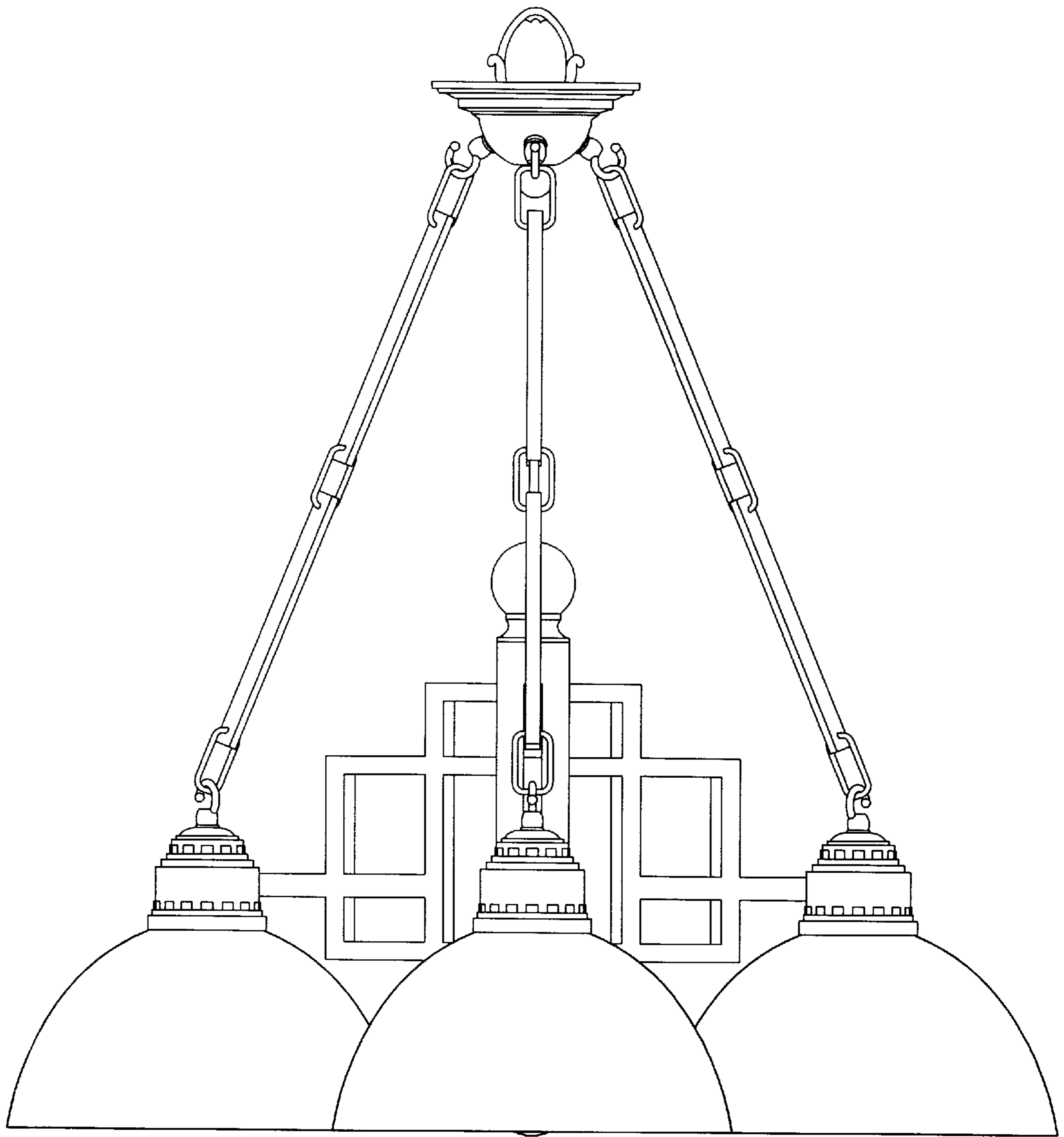


FIG. 3

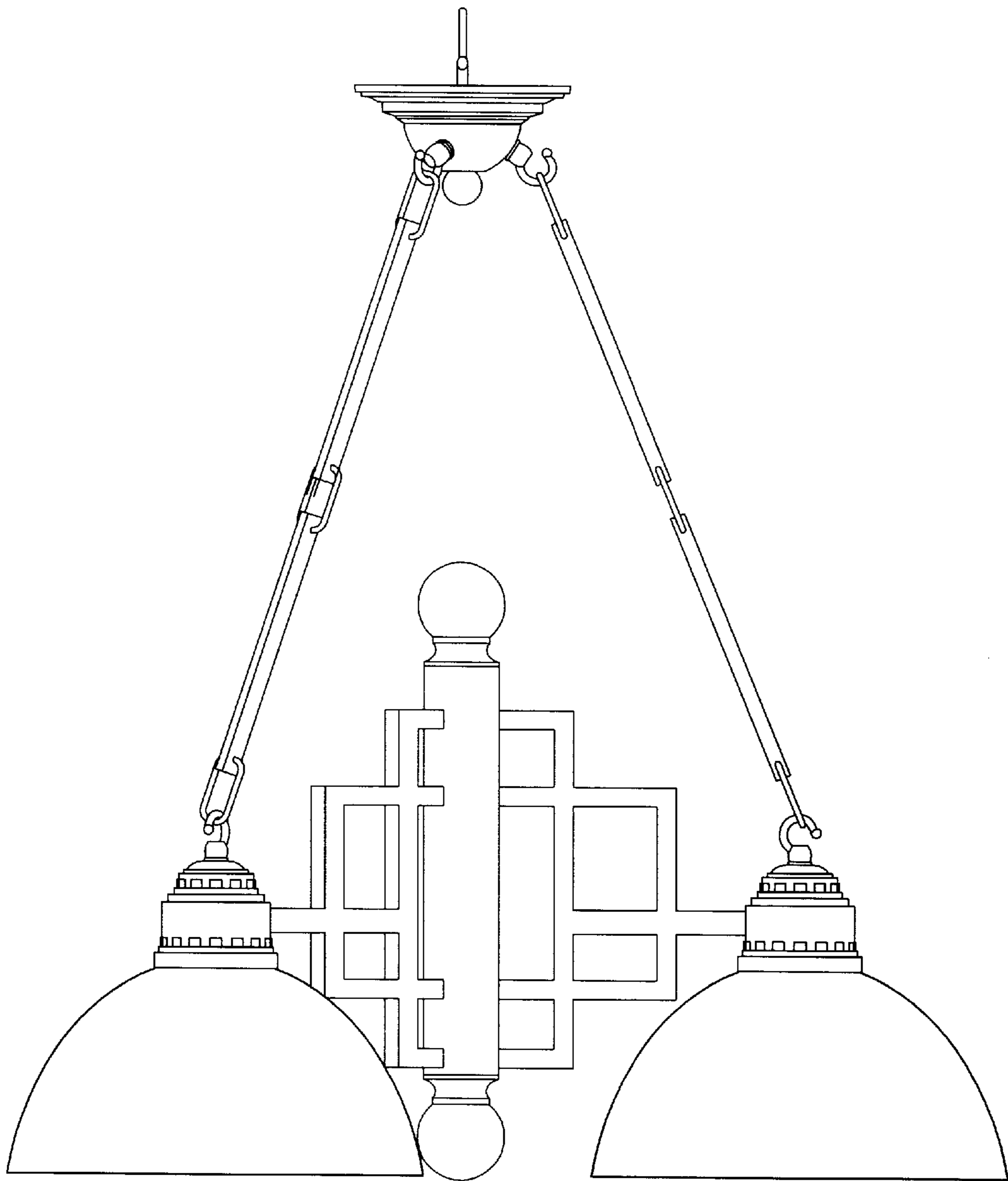


FIG. 4

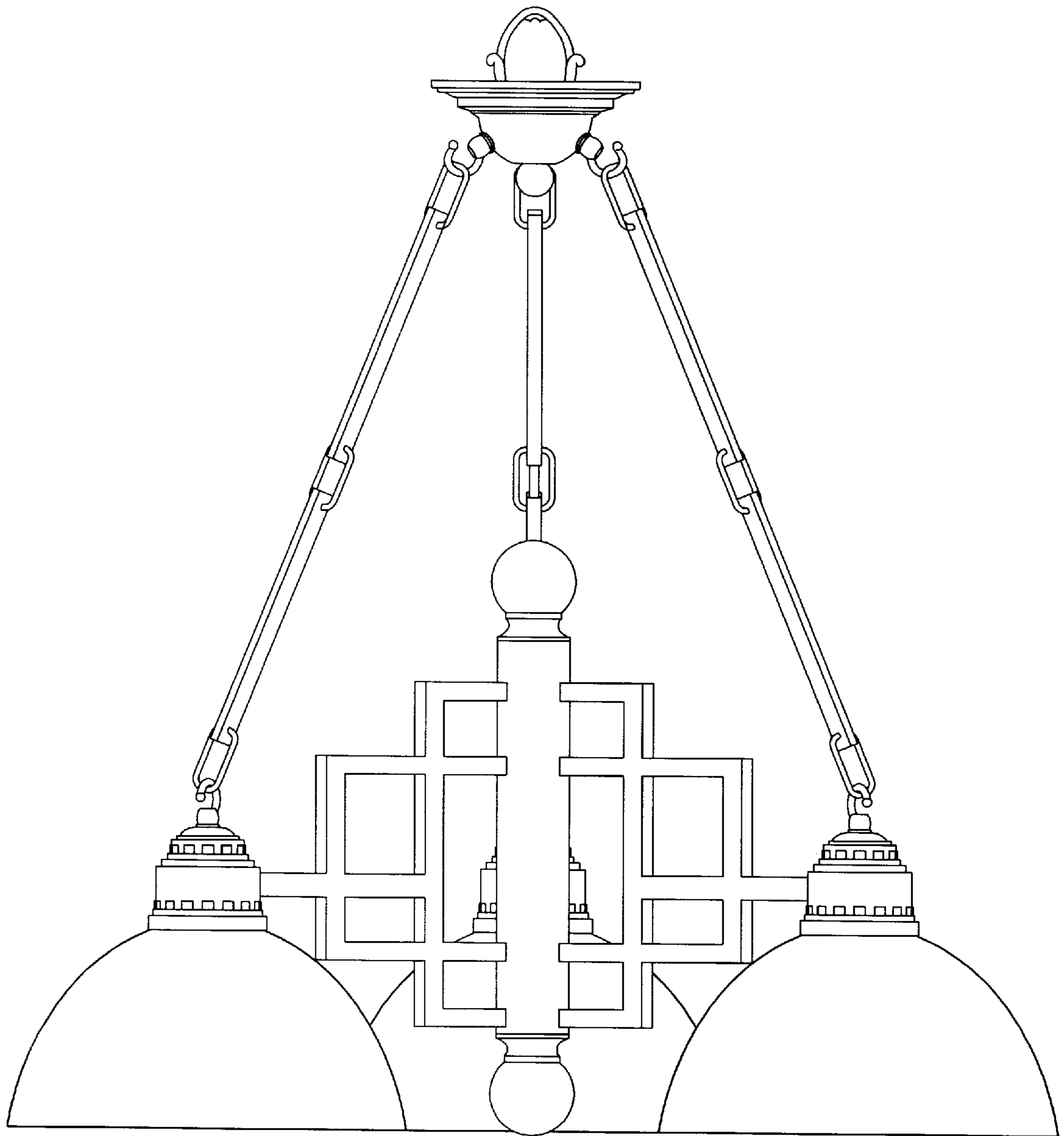


FIG. 5

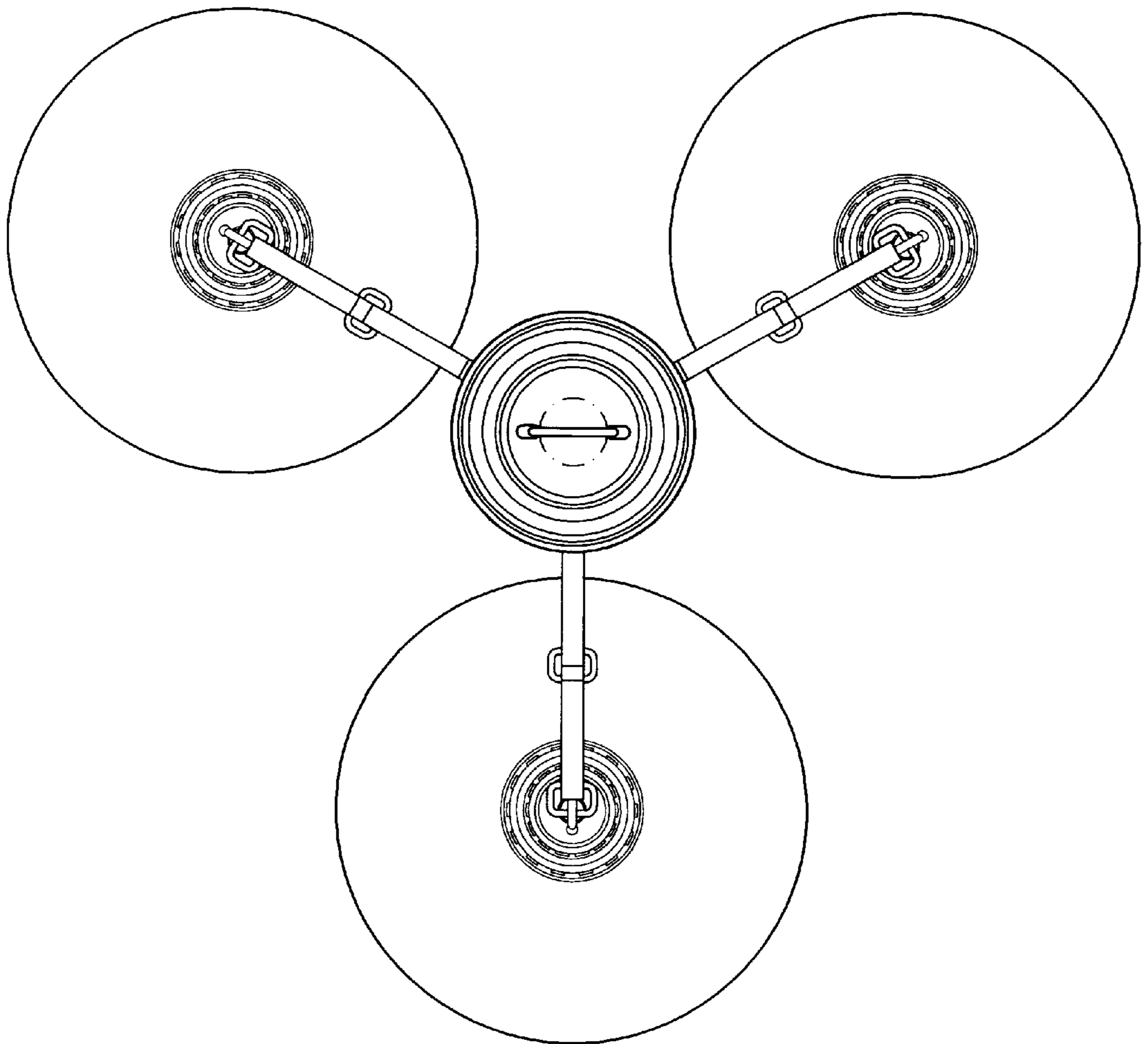


FIG. 6

