



US00D444902S

(12) **United States Design Patent** (10) **Patent No.:** **US D444,902 S**
Dolan (45) **Date of Patent:** **** Jul. 10, 2001**

(54) **CHANDELIER**

(76) Inventor: **Patrick S. Dolan**, 1901 NW. Upshur St., Portland, OR (US) 97209

(**) Term: **14 Years**

(21) Appl. No.: **29/134,697**

(22) Filed: **Dec. 27, 2000**

(51) **LOC (7) Cl.** **26-05**

(52) **U.S. Cl.** **D26/84**

(58) **Field of Search** D26/72, 80-92;
362/147, 404-408, 432

(56) **References Cited**

U.S. PATENT DOCUMENTS

D. 430,947 * 9/2000 Dolan D26/84

OTHER PUBLICATIONS

Crystorama, Westbury, NY, Catalog 1998 p. # 17 Model # 979.

Illuminating Experiences, Highland Park, NJ, Cat 1999 # 77 Model # 1988.

Basic Source, Rohnert Park, NJ, Cat # 1997 p. # 52 Model # 20-664.

Art Craft, Champlain, NY, Cat # 1999, p. #59 Model# AC 1280.

Classic Lighting, Residential Lighting Dec. 2000, p. #138 Model # Not Given.

Troy Lighting, City of Industry, Calif., Catalog #—Year 1999, p. # 3 Model# FSC 7655 AN.

Murray Feiss, Bronx, NY, Catalog 2000, p. 8 Model # F1638-9UBZ.

* cited by examiner

Primary Examiner—Susan J. Lucas

(57) **CLAIM**

The ornamental design for a chandelier, as shown and described.

DESCRIPTION

FIG. 1 is a perspective view thereof;

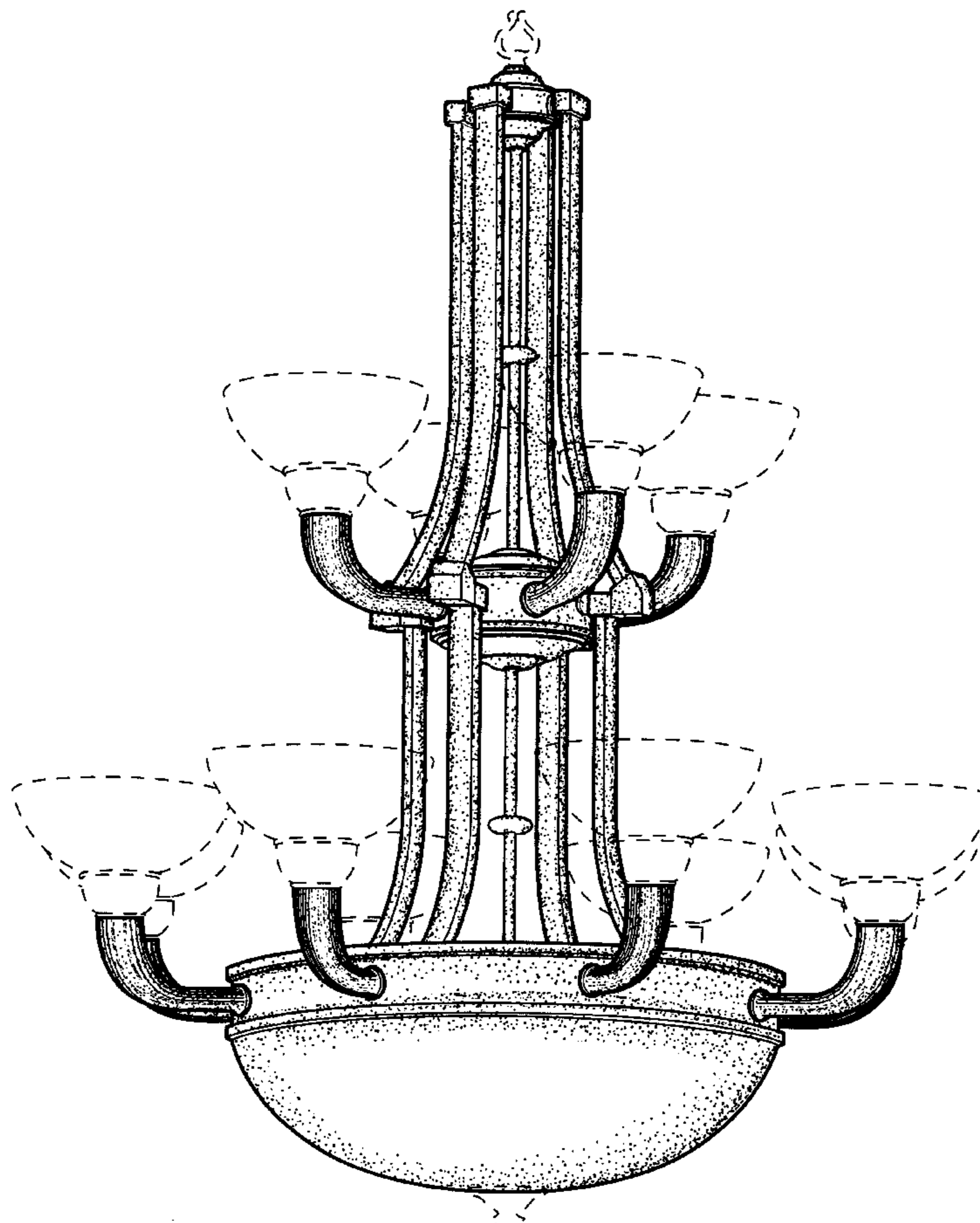
FIG. 2 is a front elevational view thereof;

FIG. 3 is a top view thereof; and,

FIG. 4 is a bottom plan view thereof.

The broken lines shown in the drawing are environmental only and form no part of the claimed design.

1 Claim, 4 Drawing Sheets



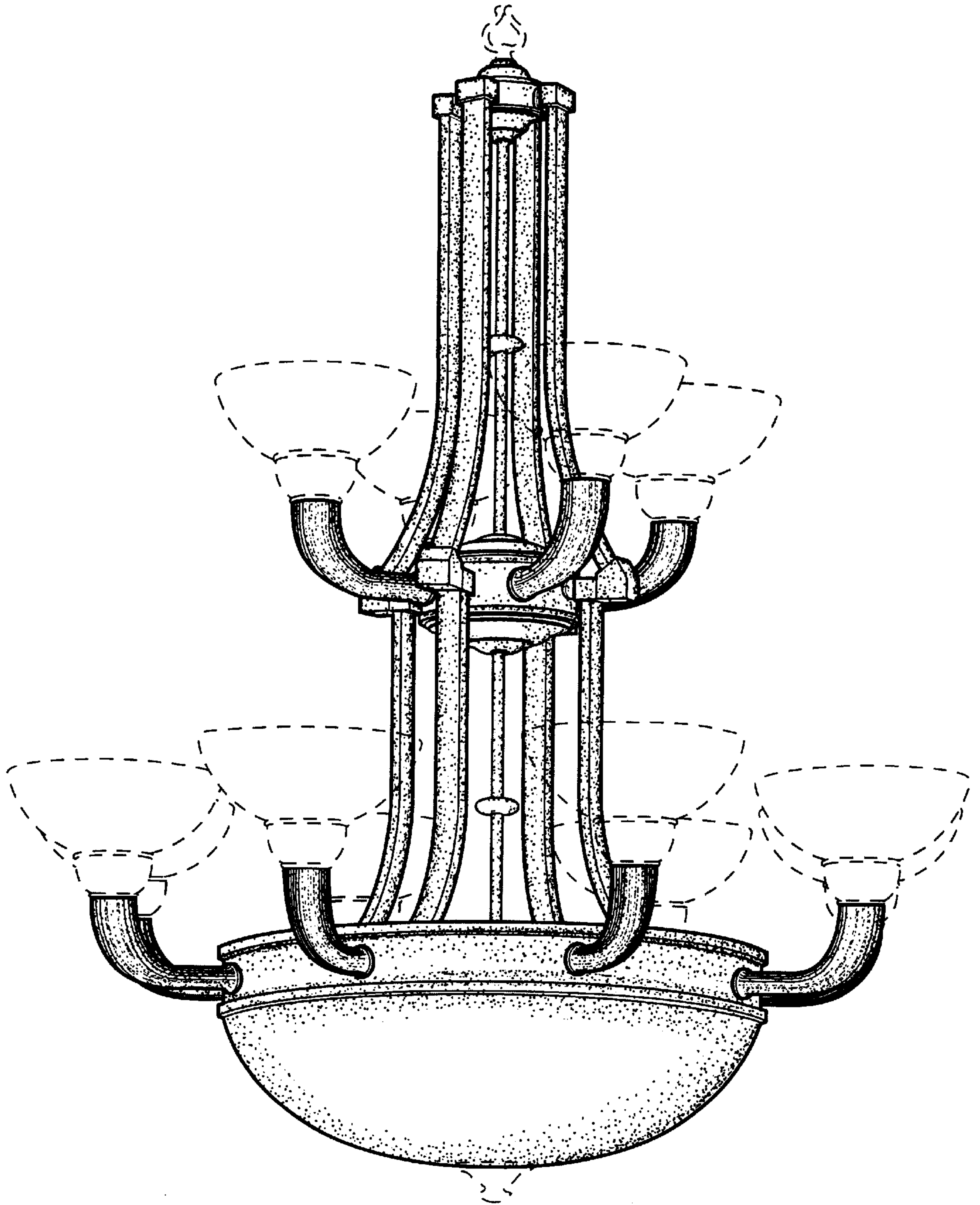


FIG. 1

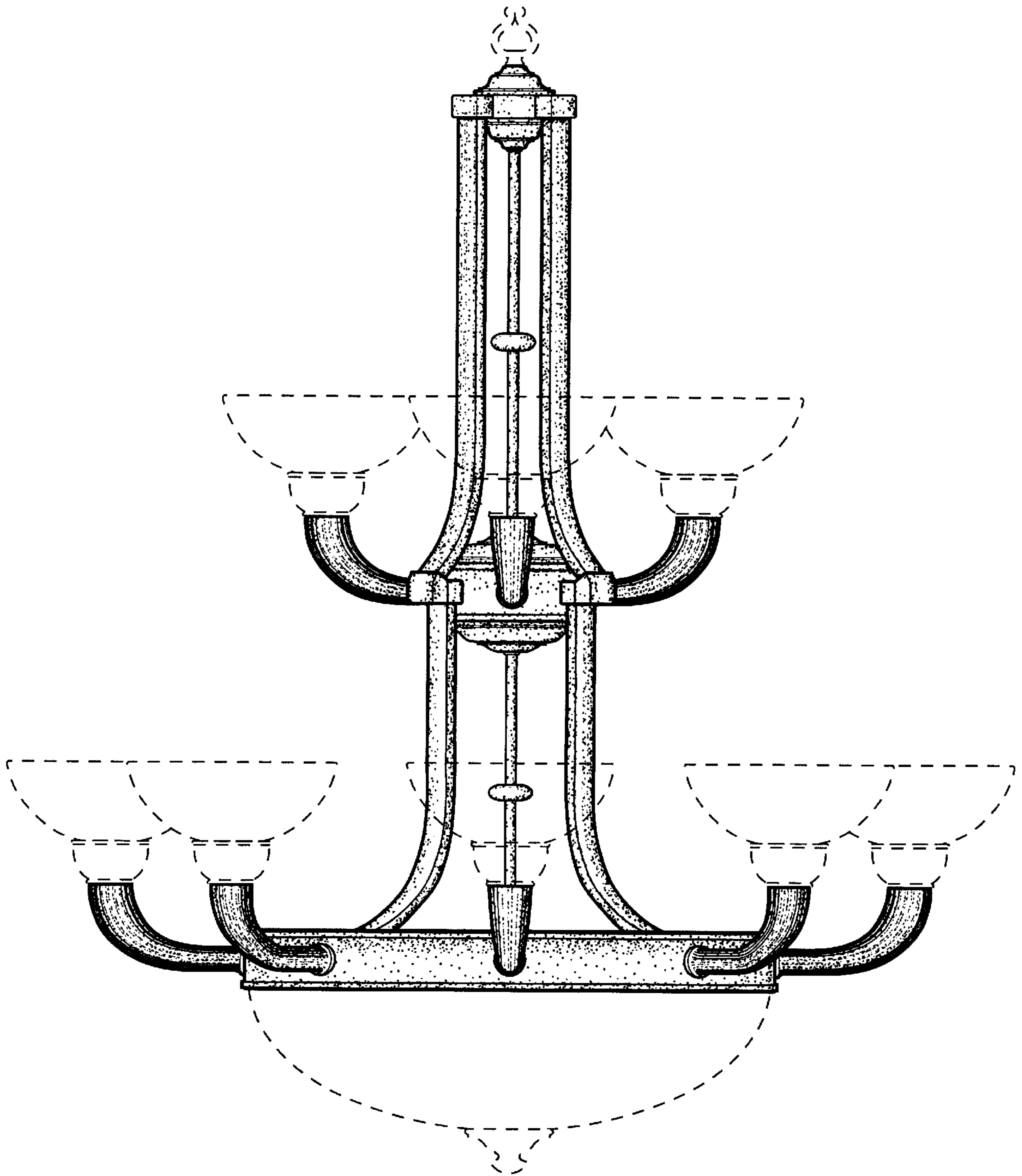


FIG. 2

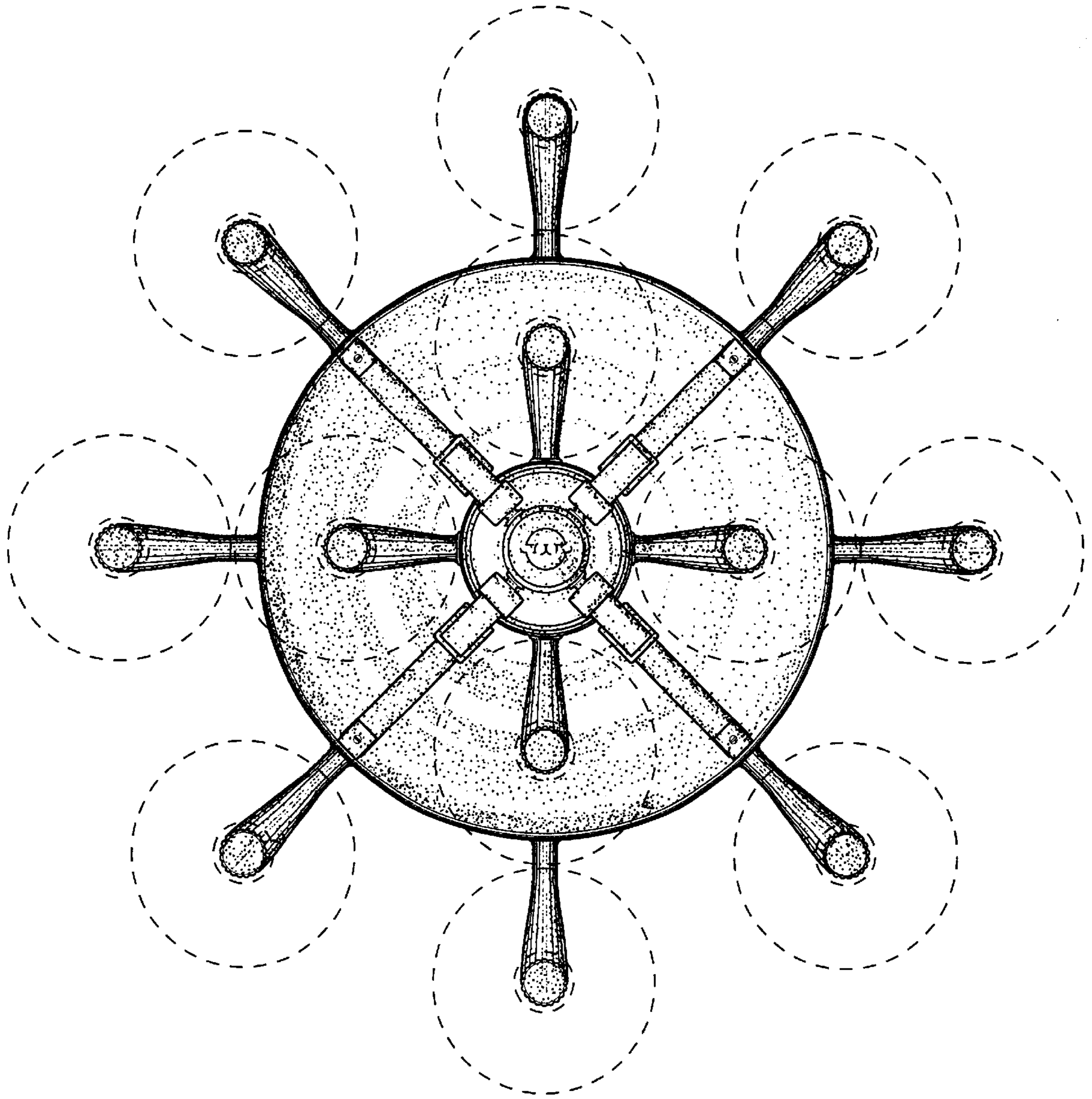


FIG. 3

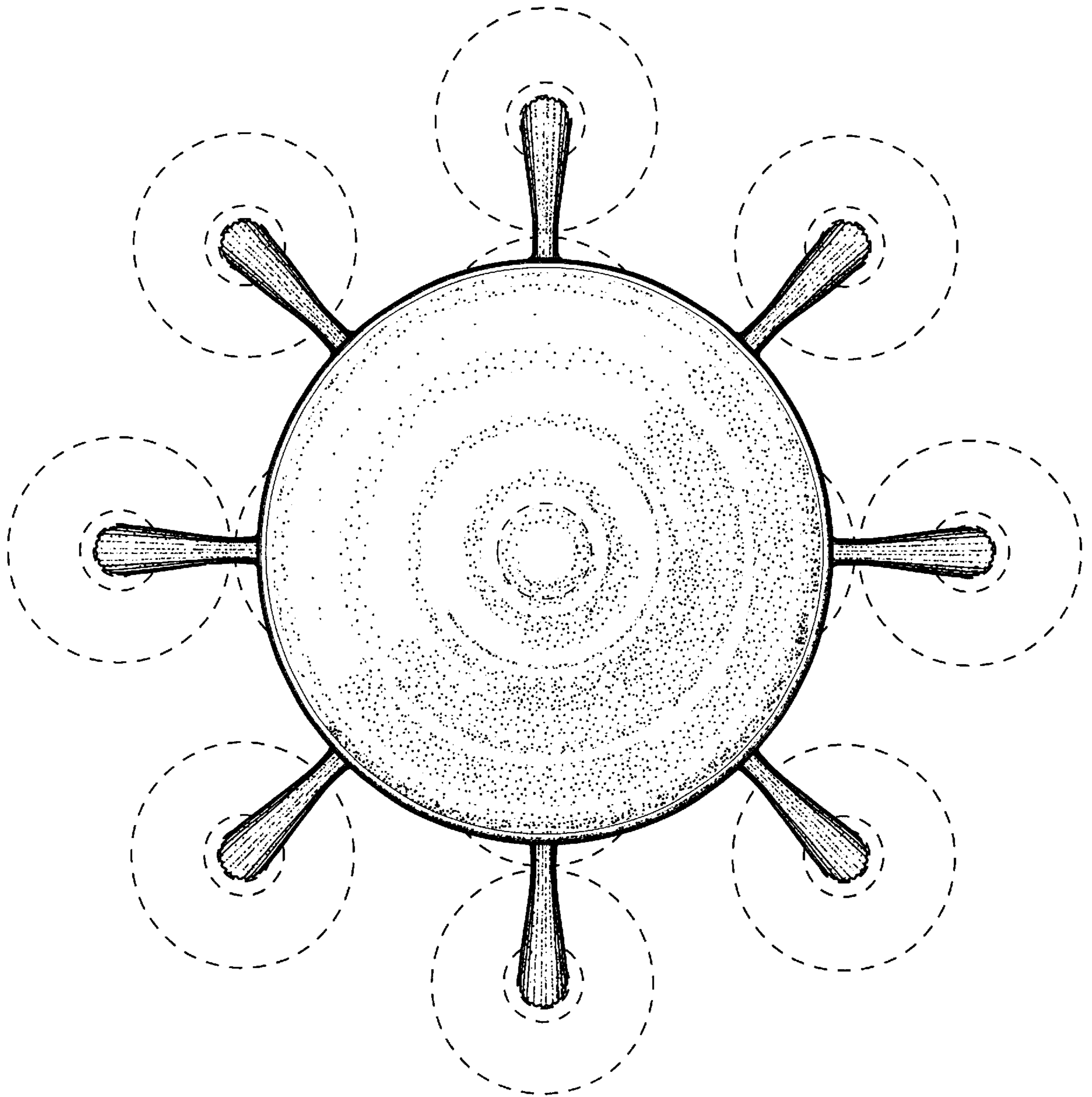


FIG. 4