



US00D444900S

(12) **United States Design Patent**  
**Stanway et al.**

(10) **Patent No.:** **US D444,900 S**

(45) **Date of Patent:** **\*\* Jul. 10, 2001**

(54) **SURFACE MOUNTED LIGHTING FIXTURE**

(75) Inventors: **Peter Stanway, Sale; Graeme Watt,**  
Altrincham, both of (GB)

(73) Assignee: **Prescolite, Inc.,** San Leandro, CA (US)

(\*\*) Term: **14 Years**

(21) Appl. No.: **29/123,152**

(22) Filed: **May 10, 2000**

(51) **LOC (7) Cl.** ..... **26-05**

(52) **U.S. Cl.** ..... **D26/72**

(58) **Field of Search** ..... D26/72, 80-92;  
362/147, 404-408

(56) **References Cited**

**U.S. PATENT DOCUMENTS**

5,440,471	*	8/1995	Zadeh	.....	362/147
5,826,970	*	10/1998	Keller et al.	.....	362/147
6,152,583	*	11/2000	Langnar	.....	362/147

**OTHER PUBLICATIONS**

Lighting Design and Application, Oct. 1999, p. 22, ceiling light.\*

\* cited by examiner

*Primary Examiner*—Susan J. Lucas

(74) *Attorney, Agent, or Firm*—Theodore J. Bielen, Jr.

(57) **CLAIM**

The ornamental design for a surface mounted lighting fixture, as shown and described.

**DESCRIPTION**

FIG. 1 is a bottom, right, side perspective view showing our new design.

FIG. 2 is a top plan view;

FIG. 3 is a bottom plan view;

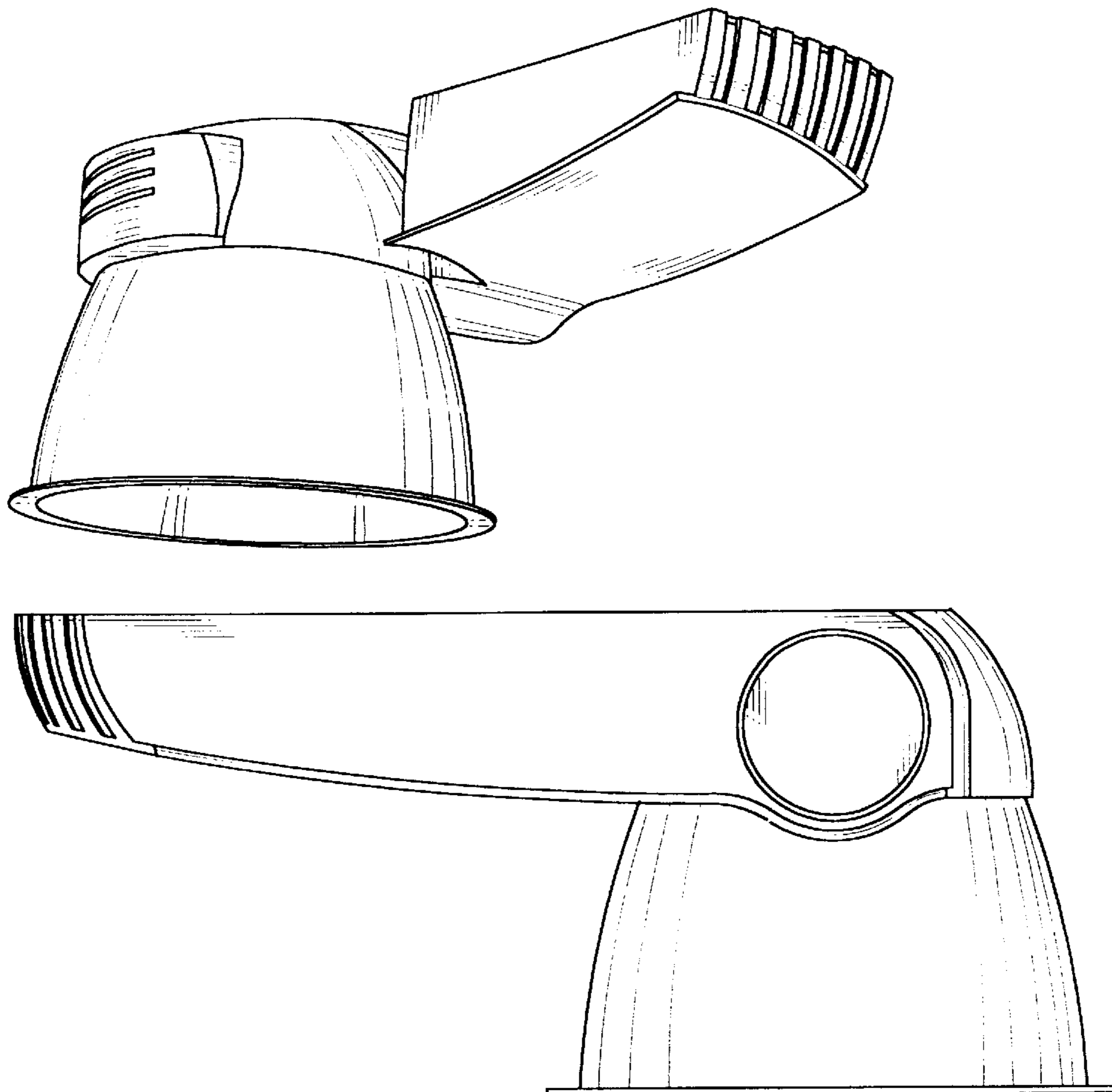
FIG. 4 is a left side view;

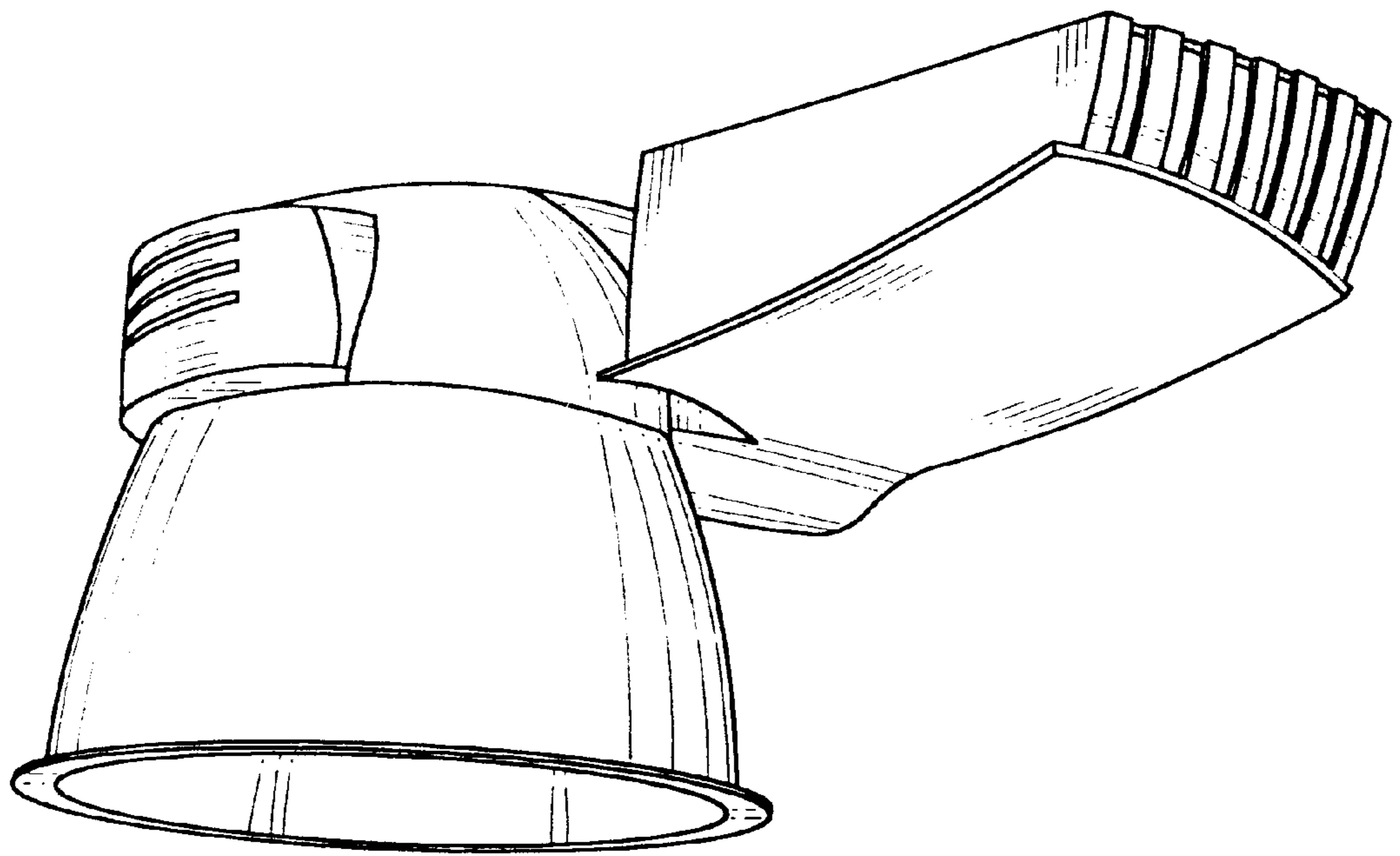
FIG. 5 is a right side view;

FIG. 6 is a rear elevational view; and,

FIG. 7 is a front elevational view; thereof.

**1 Claim, 4 Drawing Sheets**





*FIG. 1*

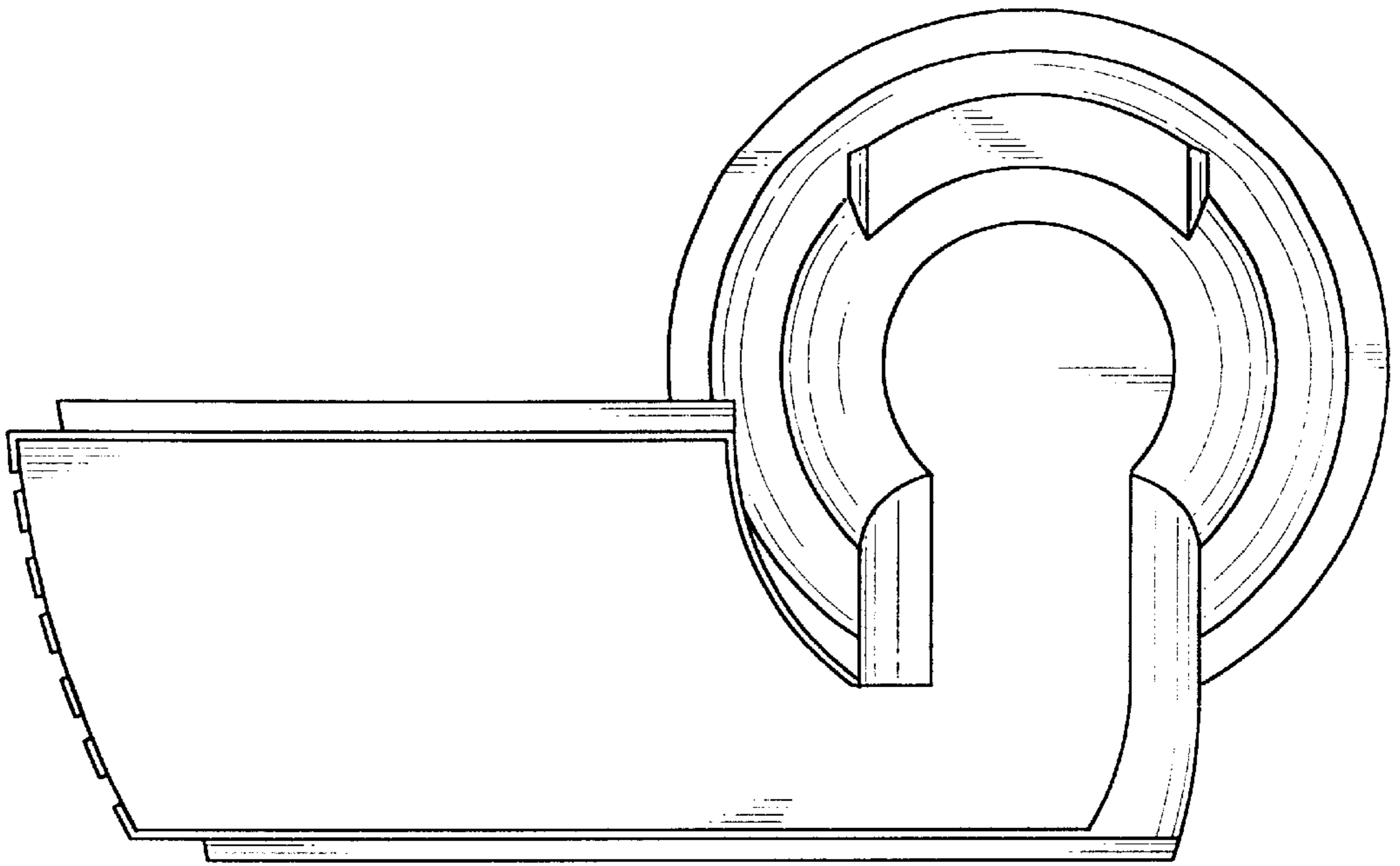


FIG. 3

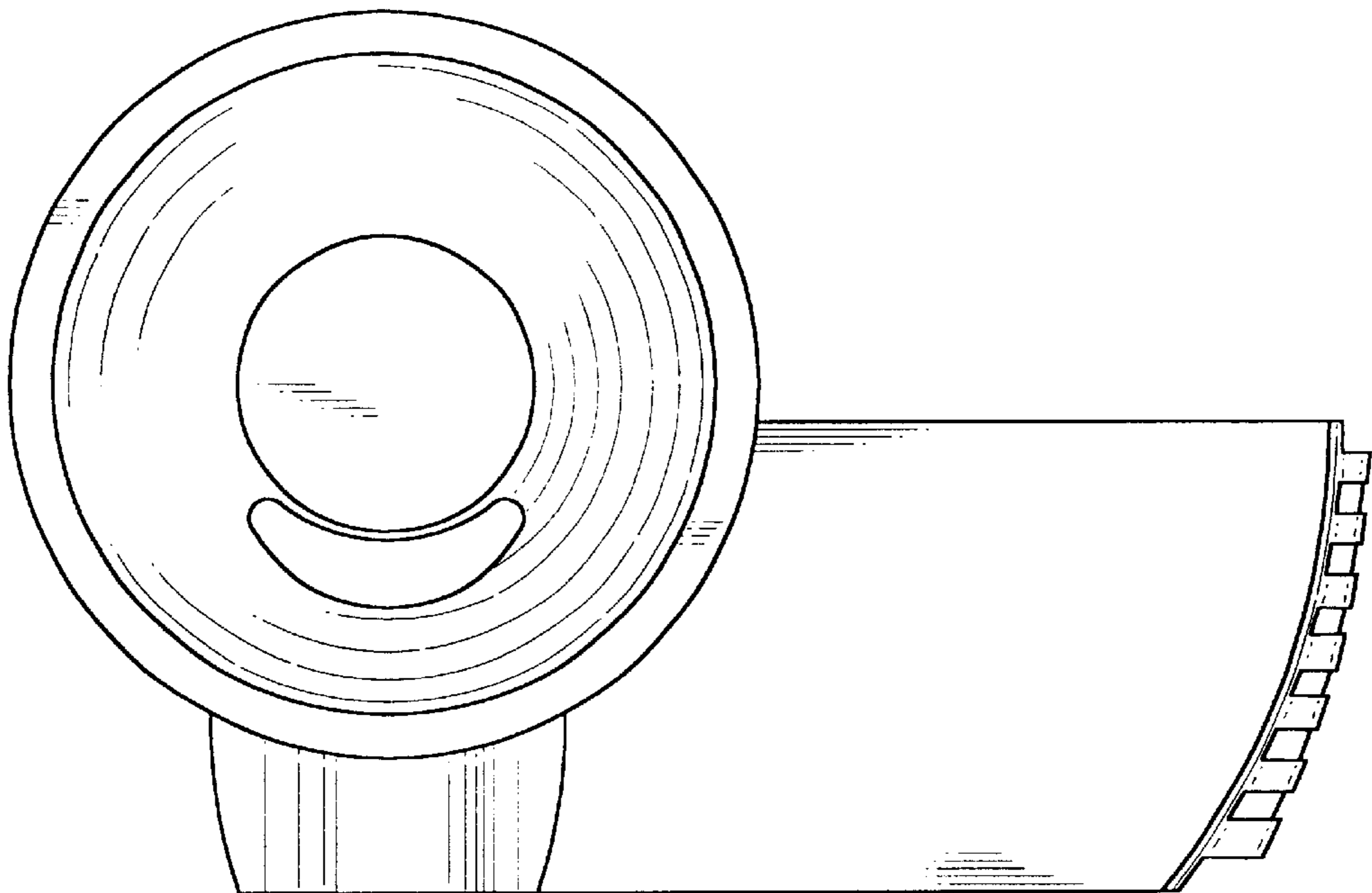
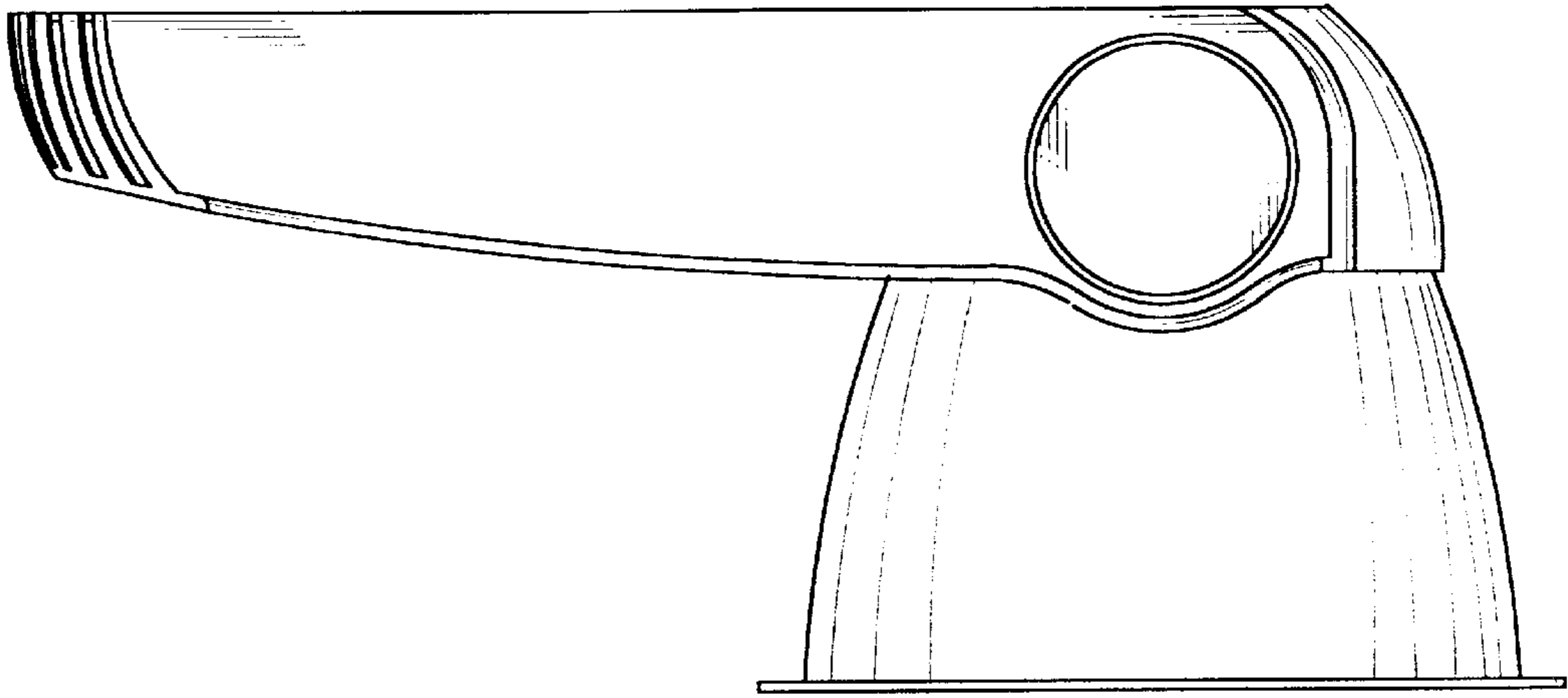
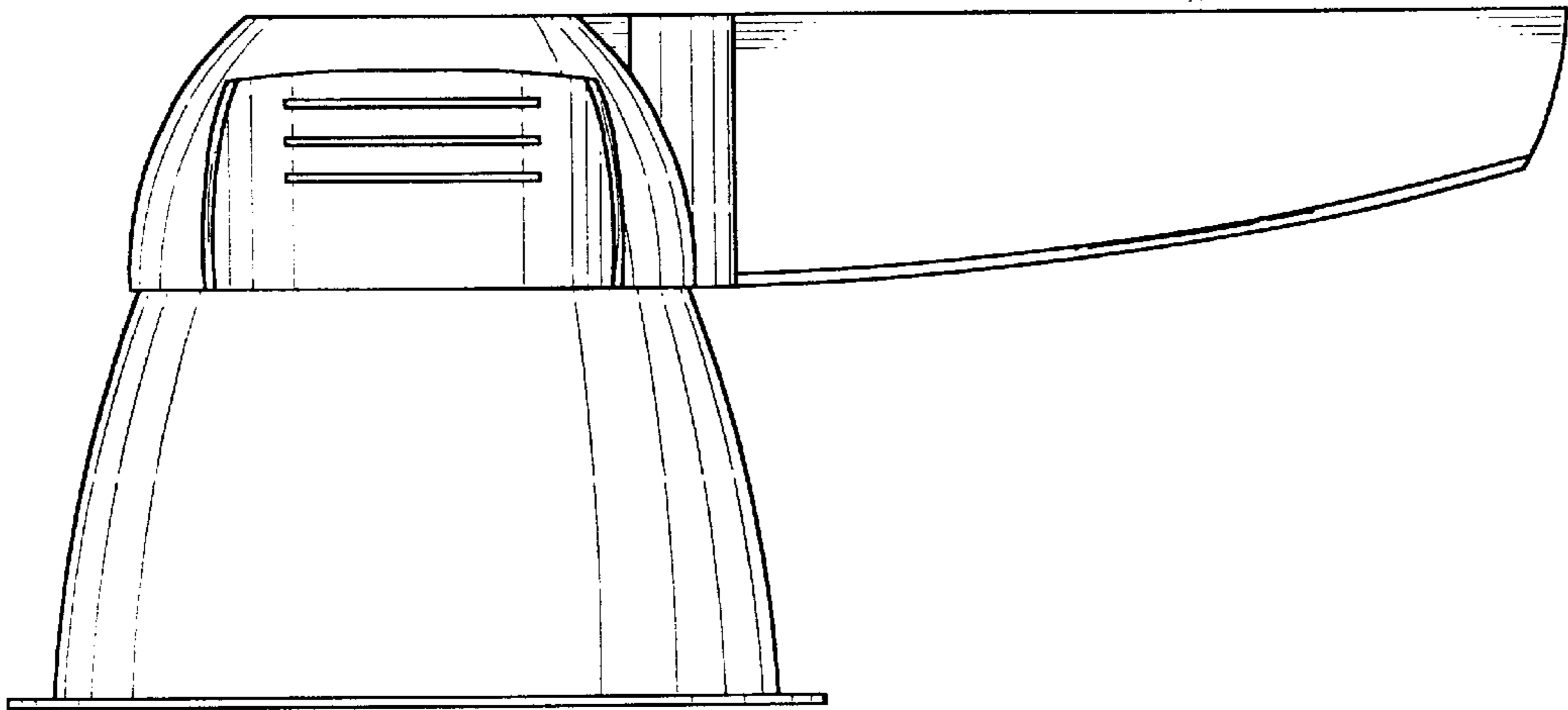


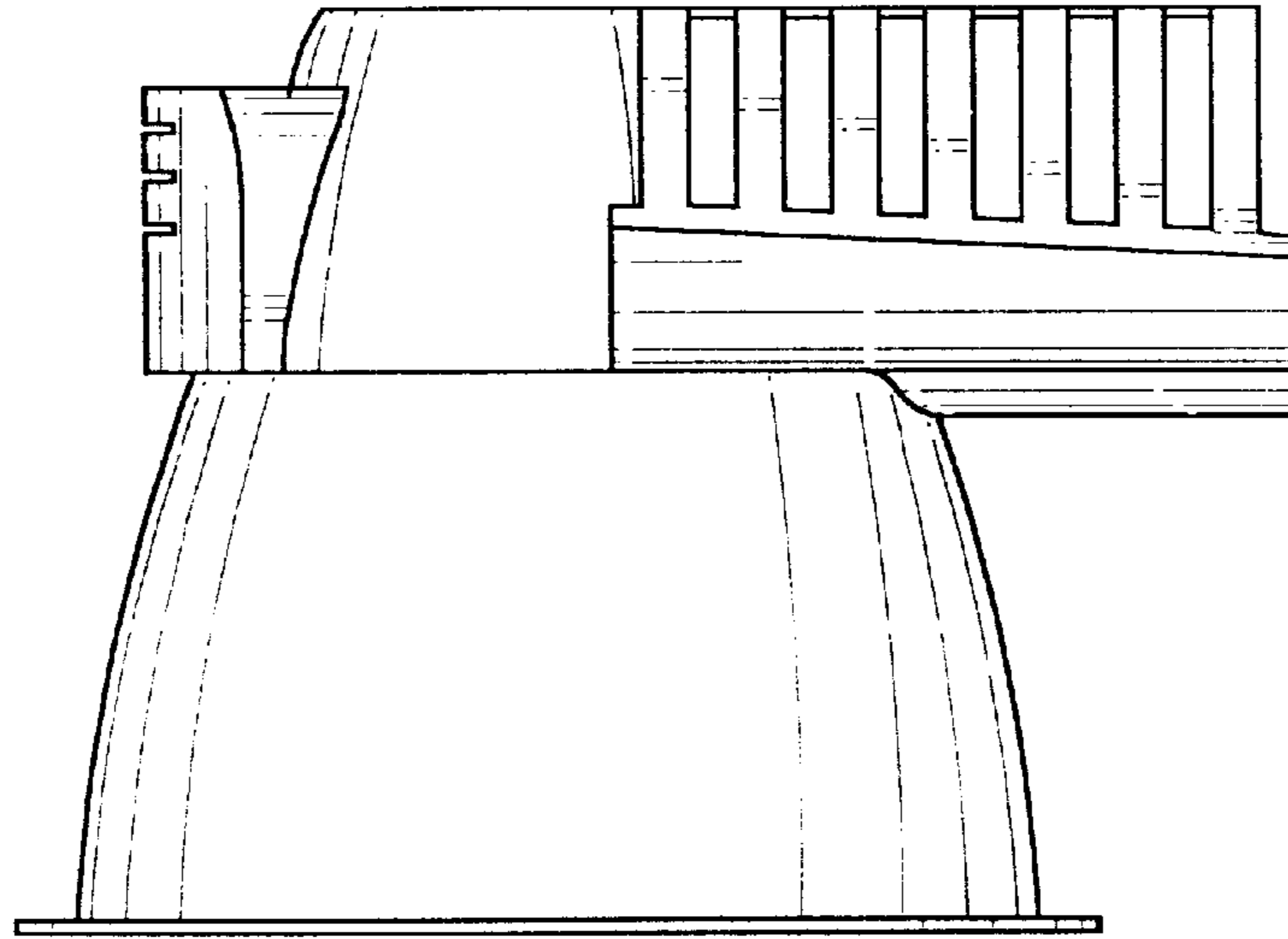
FIG. 2



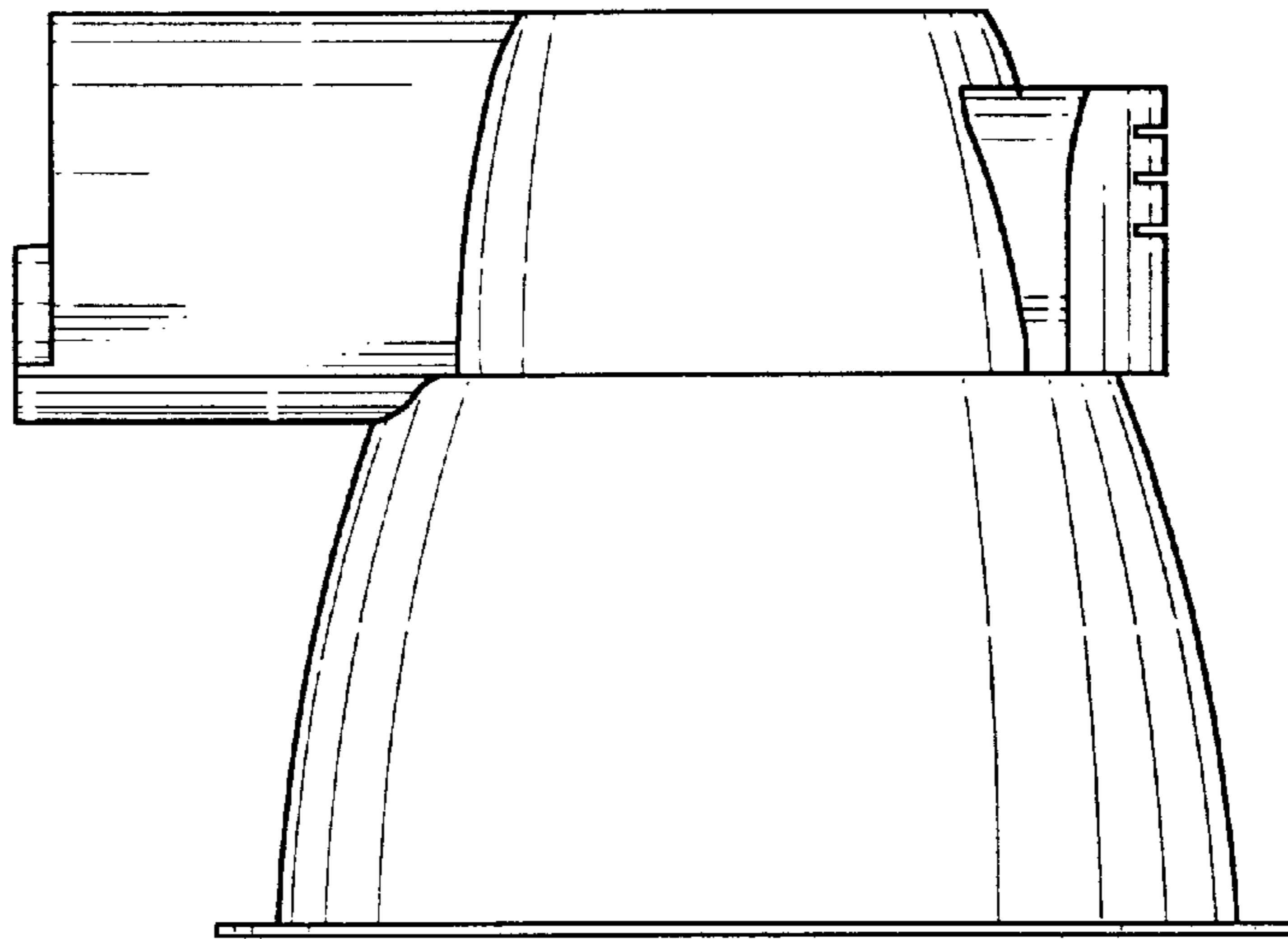
*FIG. 5*



*FIG. 4*



*FIG. 6*



*FIG. 7*