



US00D444898S

(12) **United States Design Patent**
Israel et al.

(10) **Patent No.:** **US D444,898 S**

(45) **Date of Patent:** **** Jul. 10, 2001**

(54) **PORTABLE LIGHTING DEVICE**
(75) Inventors: **Gary Israel**, Andover, KS (US); **James D. Morrow**, Oak Park, IL (US); **George O. Podd**, Riverside, IL (US); **Jimmy-Quang V. Doan**, Des Plaines, IL (US)

(73) Assignee: **The Coleman Company, Inc.**, Wichita, KS (US)

(**) Term: **14 Years**

(21) Appl. No.: **29/123,323**

(22) Filed: **May 16, 2000**

(51) **LOC (7) Cl.** **26-02**

(52) **U.S. Cl.** **D26/49**

(58) **Field of Search** D26/37-50; 362/157, 362/158, 171, 172, 181-208

(56) **References Cited**

U.S. PATENT DOCUMENTS

- D. 370,989 * 6/1996 Garrity D26/49
- D. 411,023 6/1999 Yau .
- D. 416,343 11/1999 Dalton et al. .
- D. 417,921 12/1999 Dalton et al. .
- D. 418,933 * 1/2000 Yang D26/49

- D. 420,157 * 2/2000 Garrity et al. D26/49
- D. 420,457 2/2000 Breit .
- D. 431,085 9/2000 Poon .
- D. 433,523 11/2000 Poon .

* cited by examiner

Primary Examiner—Marcus A. Jackson

(74) *Attorney, Agent, or Firm*—Kramer Levin Naftalis & Frankel LLP

(57) **CLAIM**

The ornamental design for a portable lighting device, as shown and described.

DESCRIPTION

FIG. 1 is a front perspective view showing the new design, with the broken line showing for illustrative purposes only and forming no part of the claimed design;

FIG. 2 is an alternate perspective view, the only difference from FIG. 1 being that the device is shown in a pivoted configuration;

FIG. 3 is a top plan view thereof;

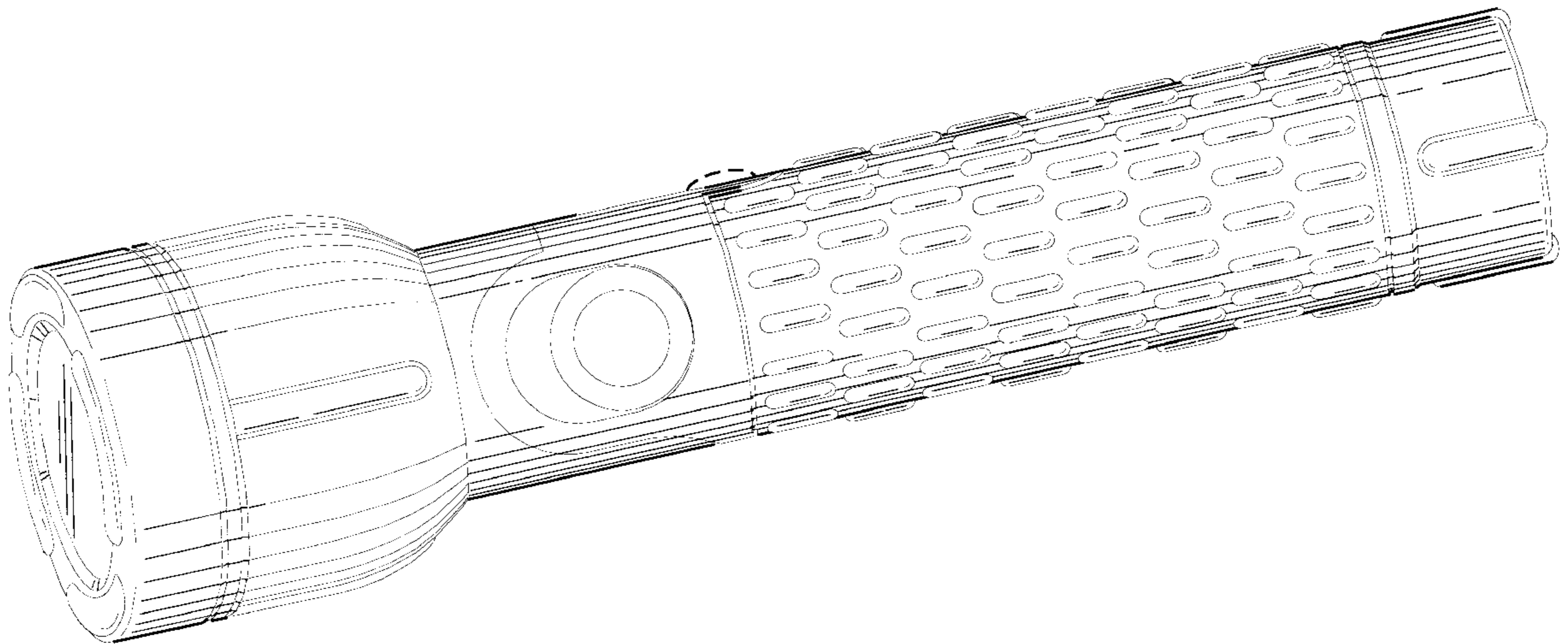
FIG. 4 is a bottom plan view thereof;

FIG. 5 is a side elevation view thereof, the opposite side being a mirror image;

FIG. 6 is a front elevation view thereof; and,

FIG. 7 is a rear elevation view thereof.

1 Claim, 6 Drawing Sheets



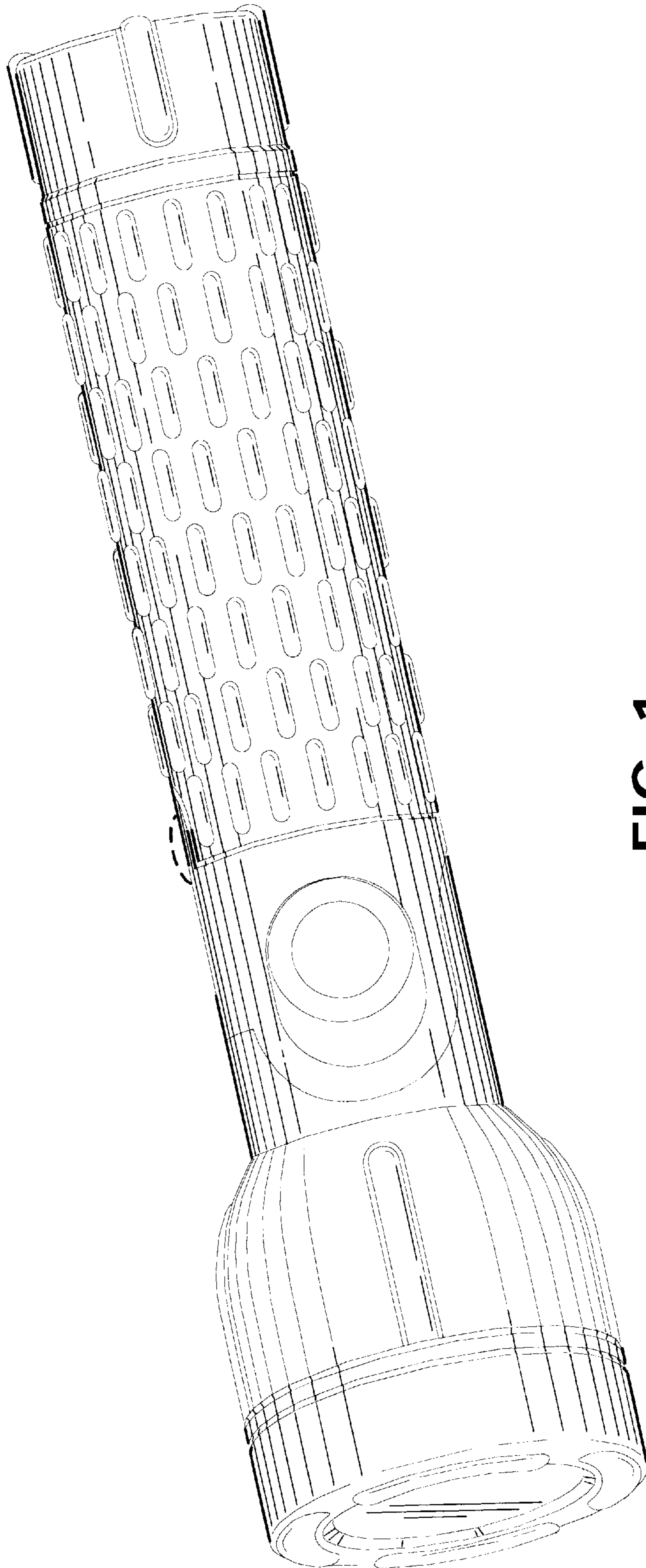


FIG. 1

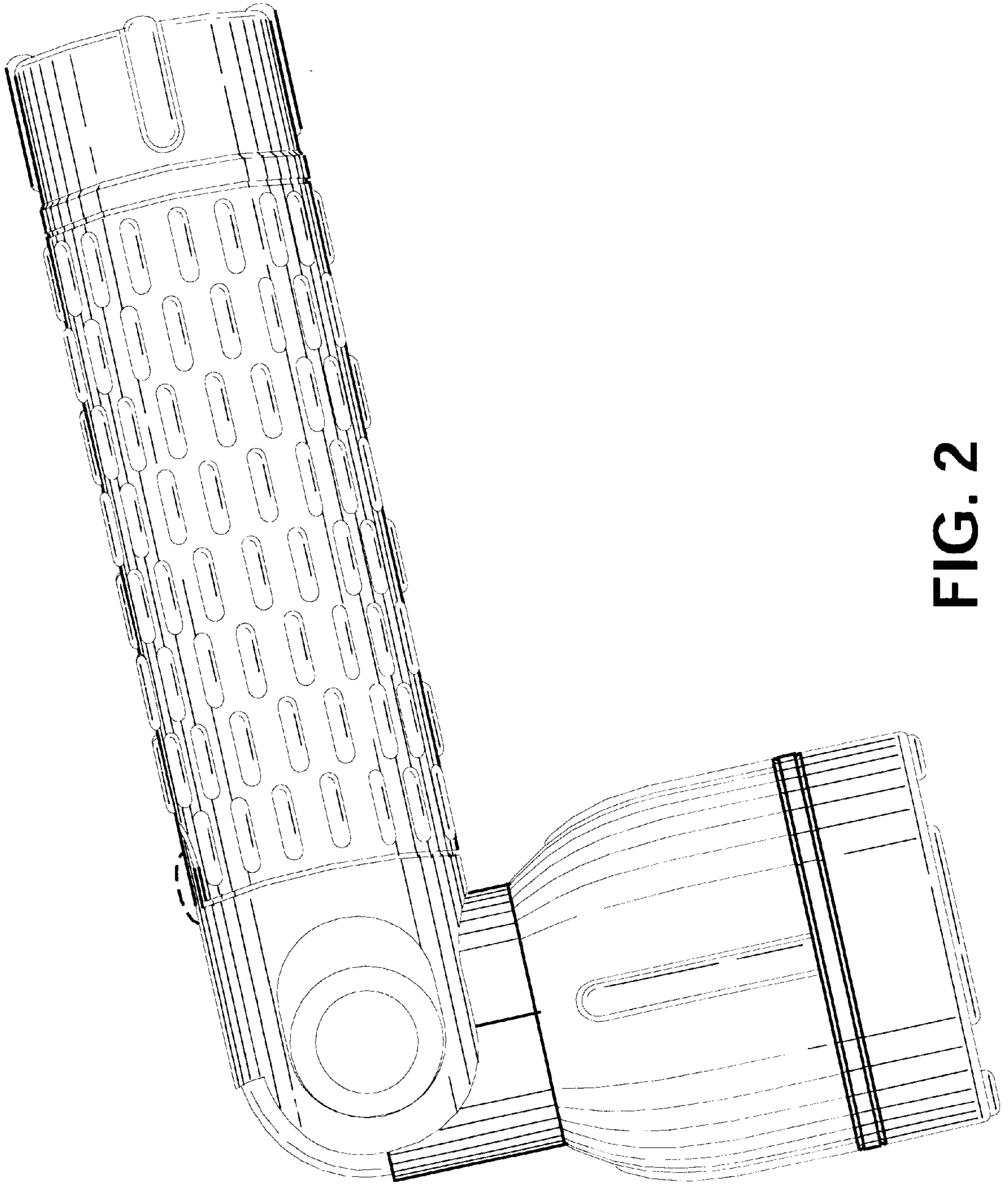


FIG. 2

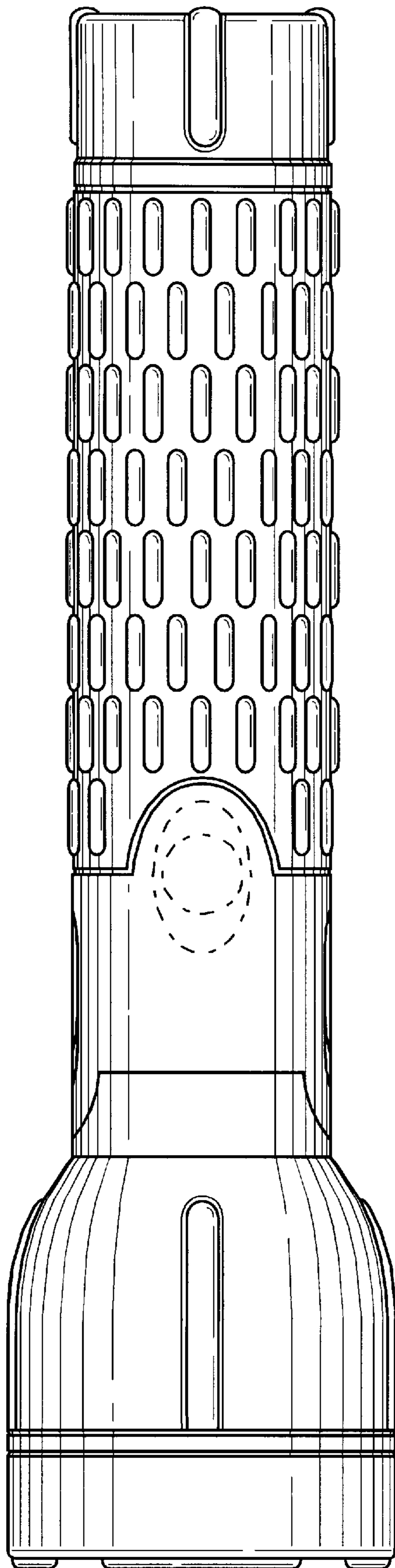


FIG. 3

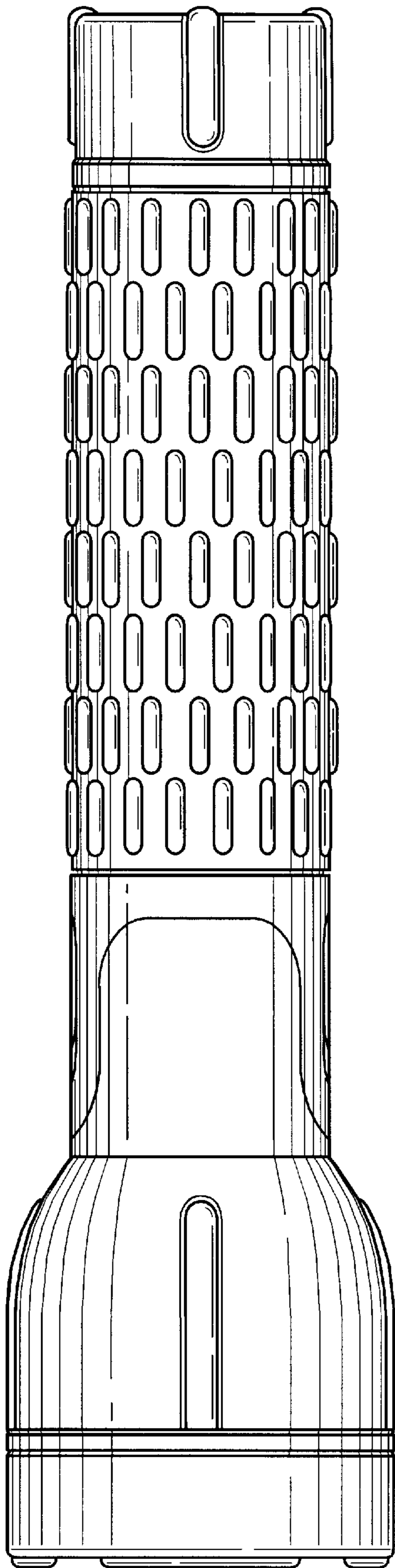


FIG. 4

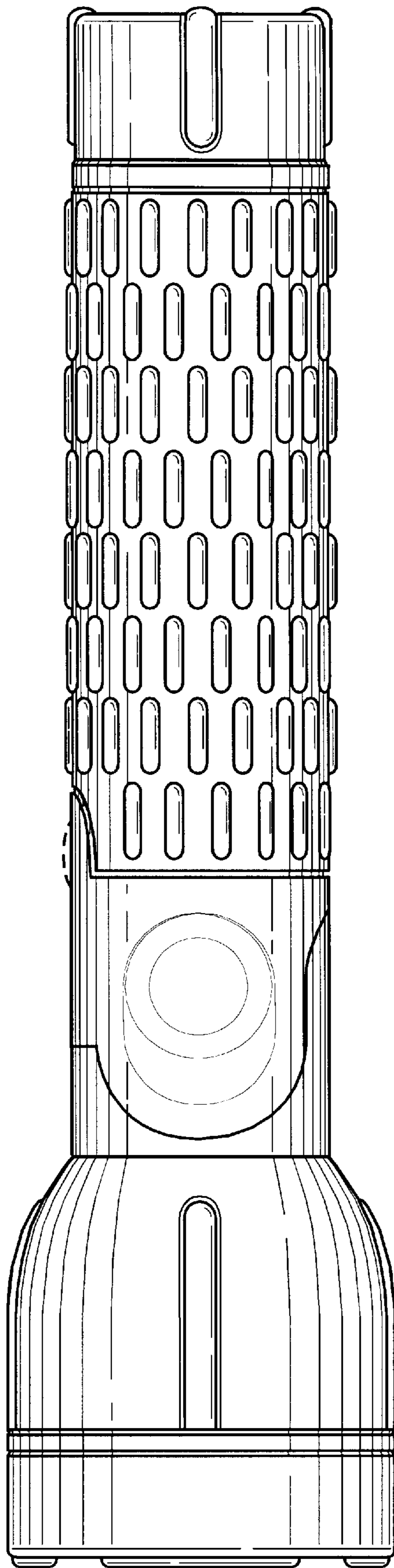


FIG. 5

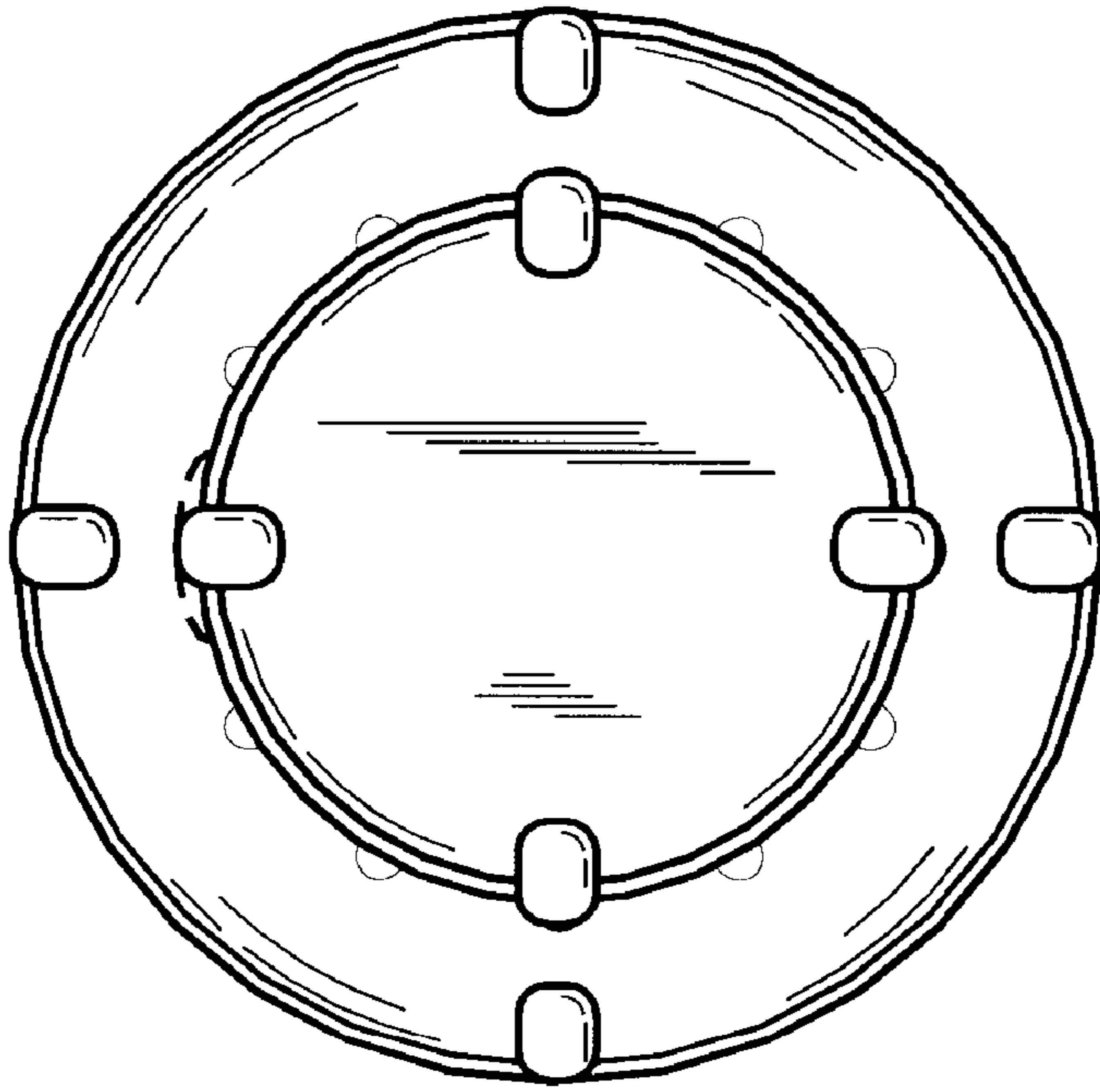


FIG. 7

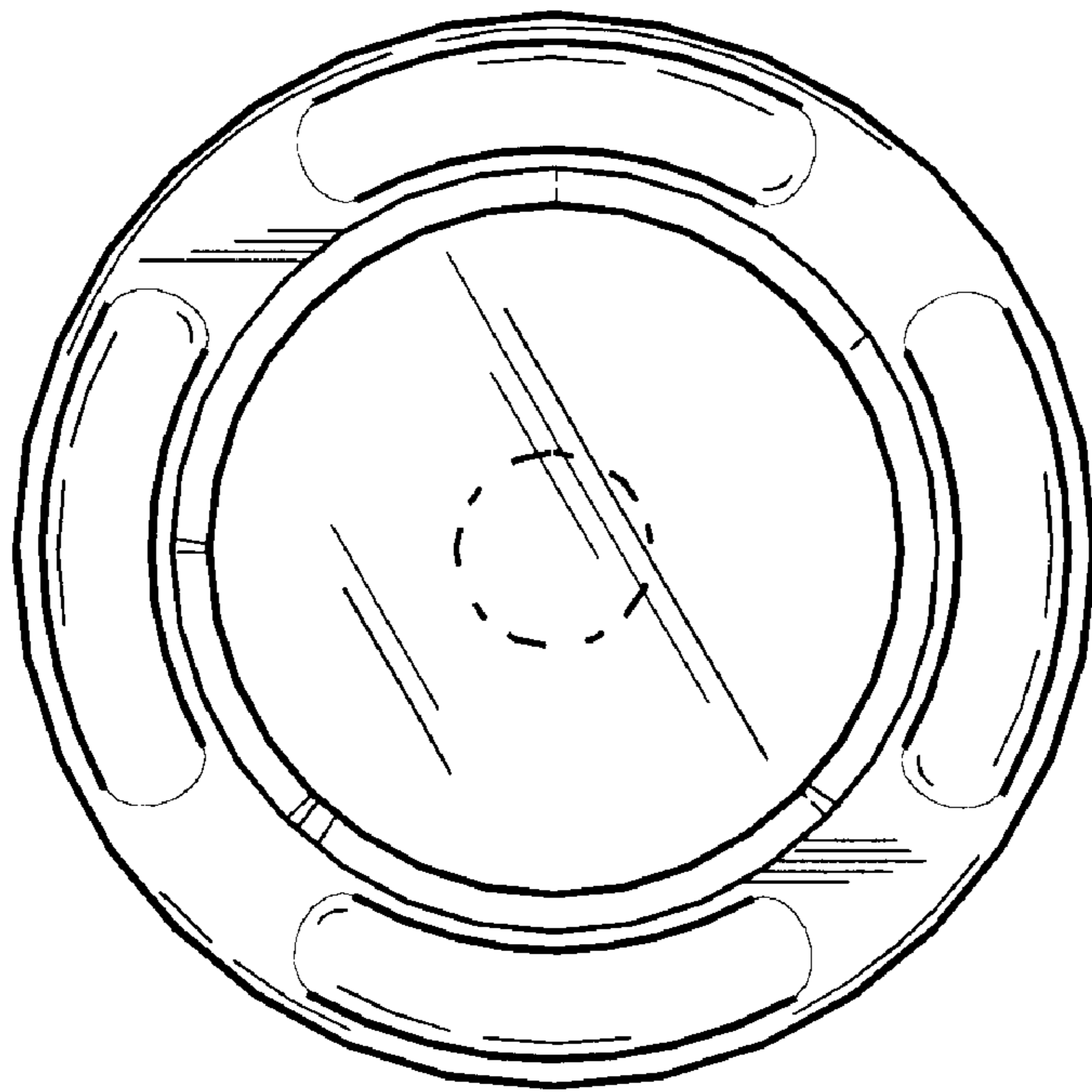


FIG. 6