



US00D444897S

(12) **United States Design Patent**
Yuen

(10) **Patent No.:** **US D444,897 S**

(45) **Date of Patent:** **** Jul. 10, 2001**

(54) **LANTERN**

D. 437,434 * 2/2001 Zeller D26/46

(75) Inventor: **John Se-Kit Yuen, Kowloon (HK)**

* cited by examiner

(73) Assignee: **John Manufacturing Limited, Kowloon (HK)**

Primary Examiner—Marcus A. Jackson
(74) *Attorney, Agent, or Firm*—Mattingly, Stanger & Malur, P.C.

(**) Term: **14 Years**

(21) Appl. No.: **29/132,985**

(22) Filed: **Nov. 21, 2000**

(30) **Foreign Application Priority Data**

Jun. 13, 2000 (GB) 2093441

(51) **LOC (7) Cl.** **26-02**

(52) **U.S. Cl.** **D26/46**

(58) **Field of Search** D26/37-50; 362/157, 362/158, 171, 172, 173, 181-208

(56) **References Cited**

U.S. PATENT DOCUMENTS

D. 424,224 * 5/2000 Petterson D26/46

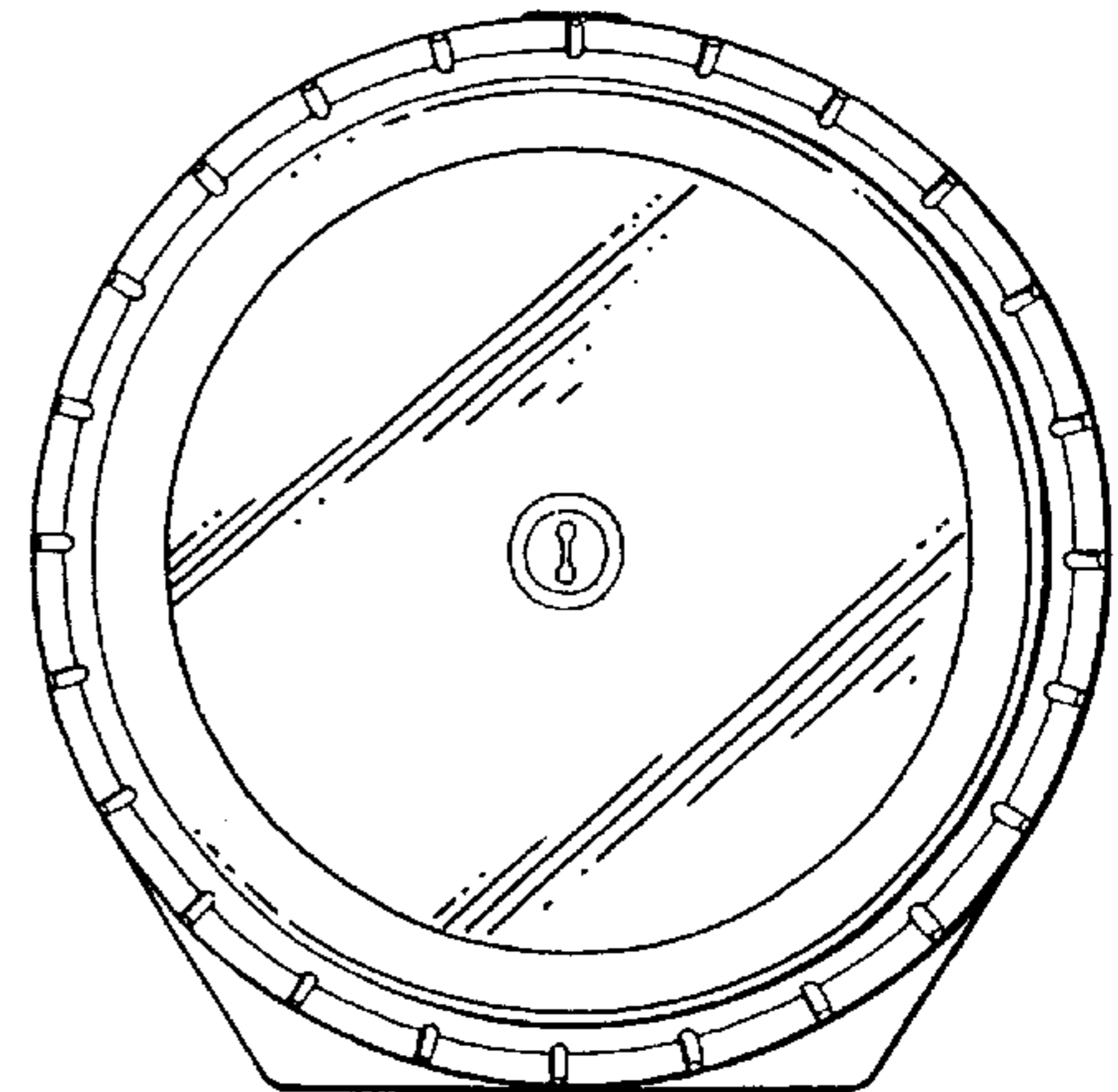
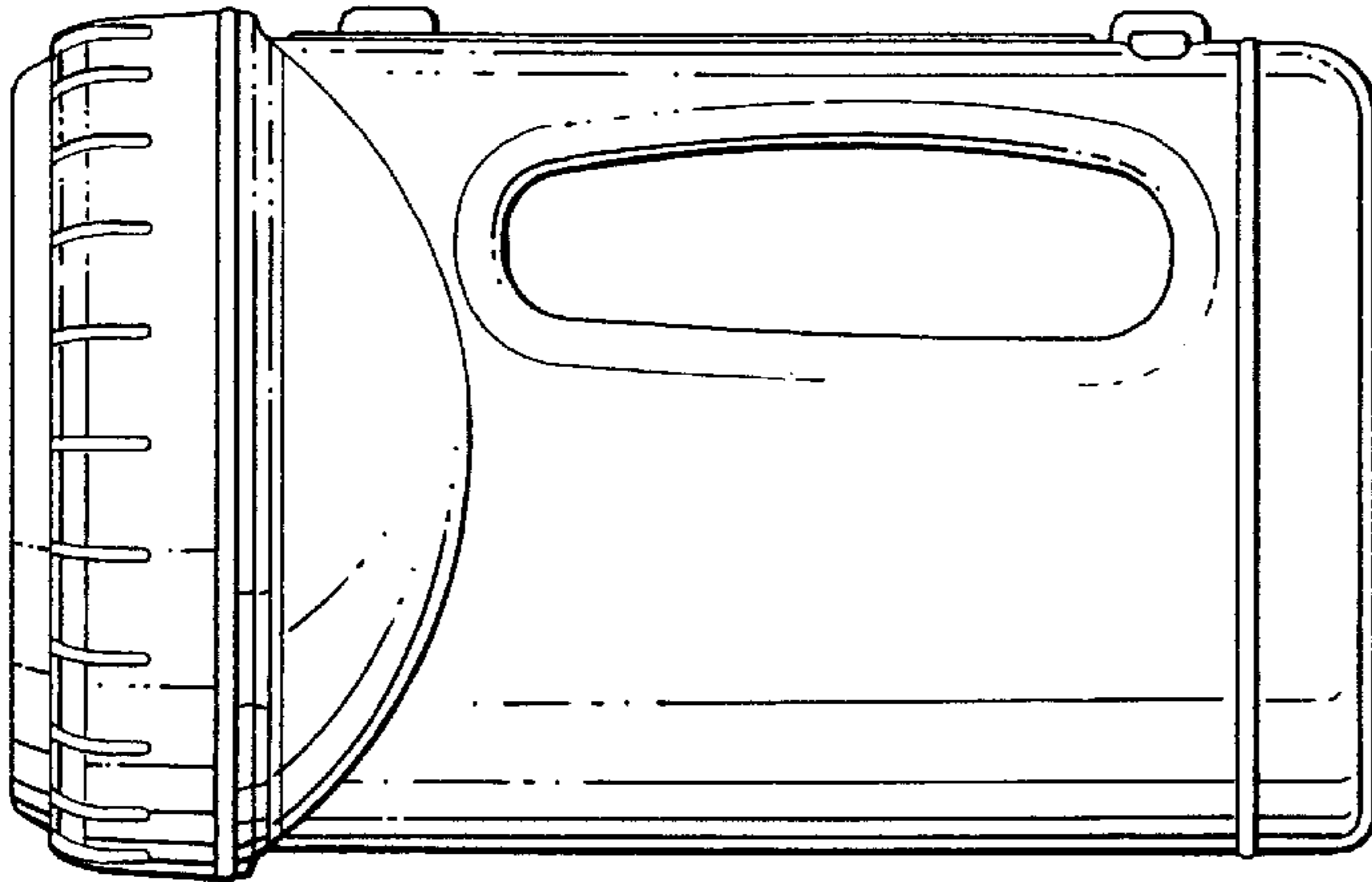
(57) **CLAIM**

The ornamental design for a lantern, as shown and described.

DESCRIPTION

FIG. 1 is a left side view of a lantern showing my new design;
FIG. 2 is a right side view thereof;
FIG. 3 is a plan view thereof;
FIG. 4 is an underneath plan view thereof;
FIG. 5 is a front view thereof; and,
FIG. 6 is a rear view thereof.

1 Claim, 3 Drawing Sheets



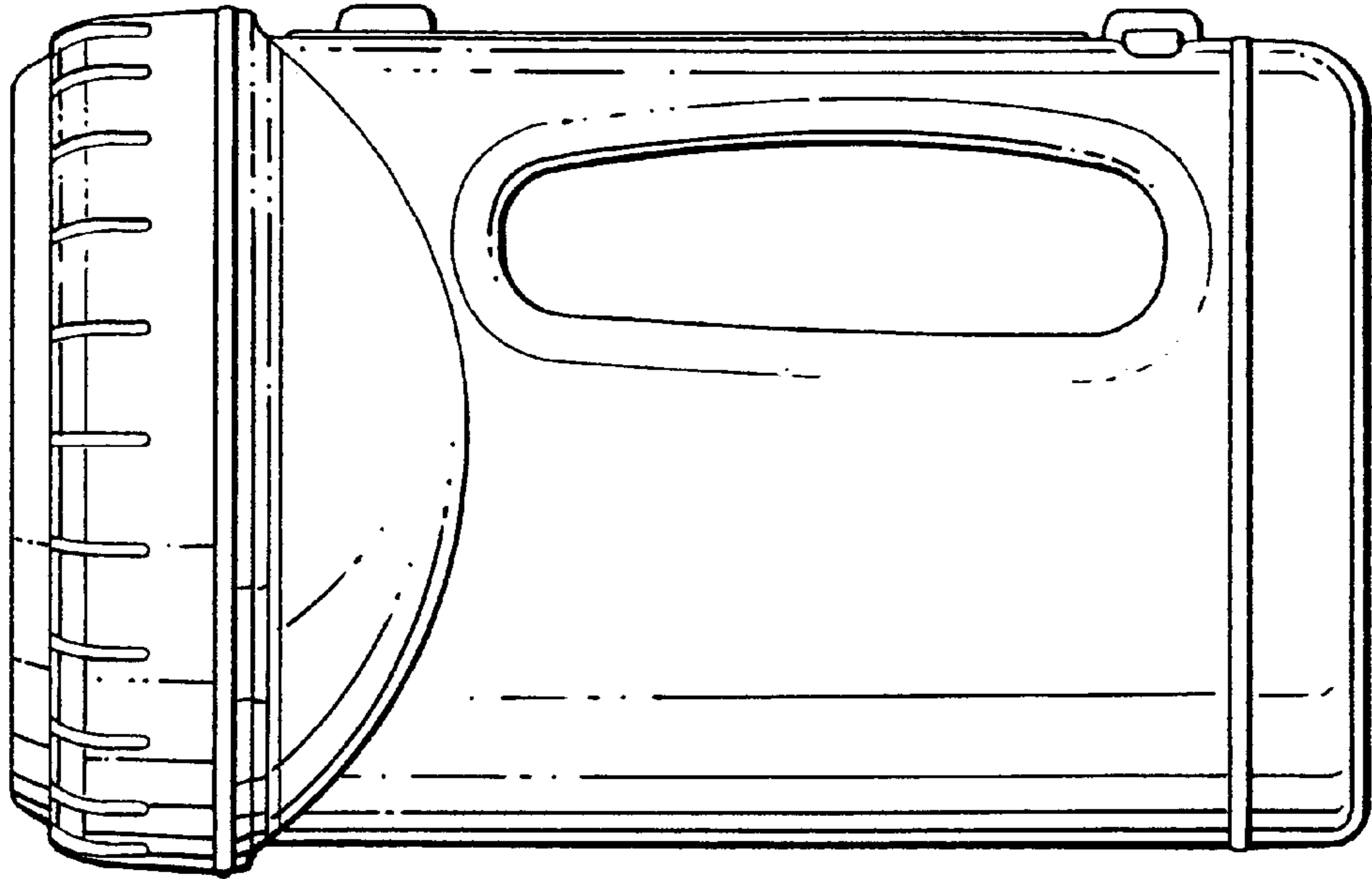


FIG. 1

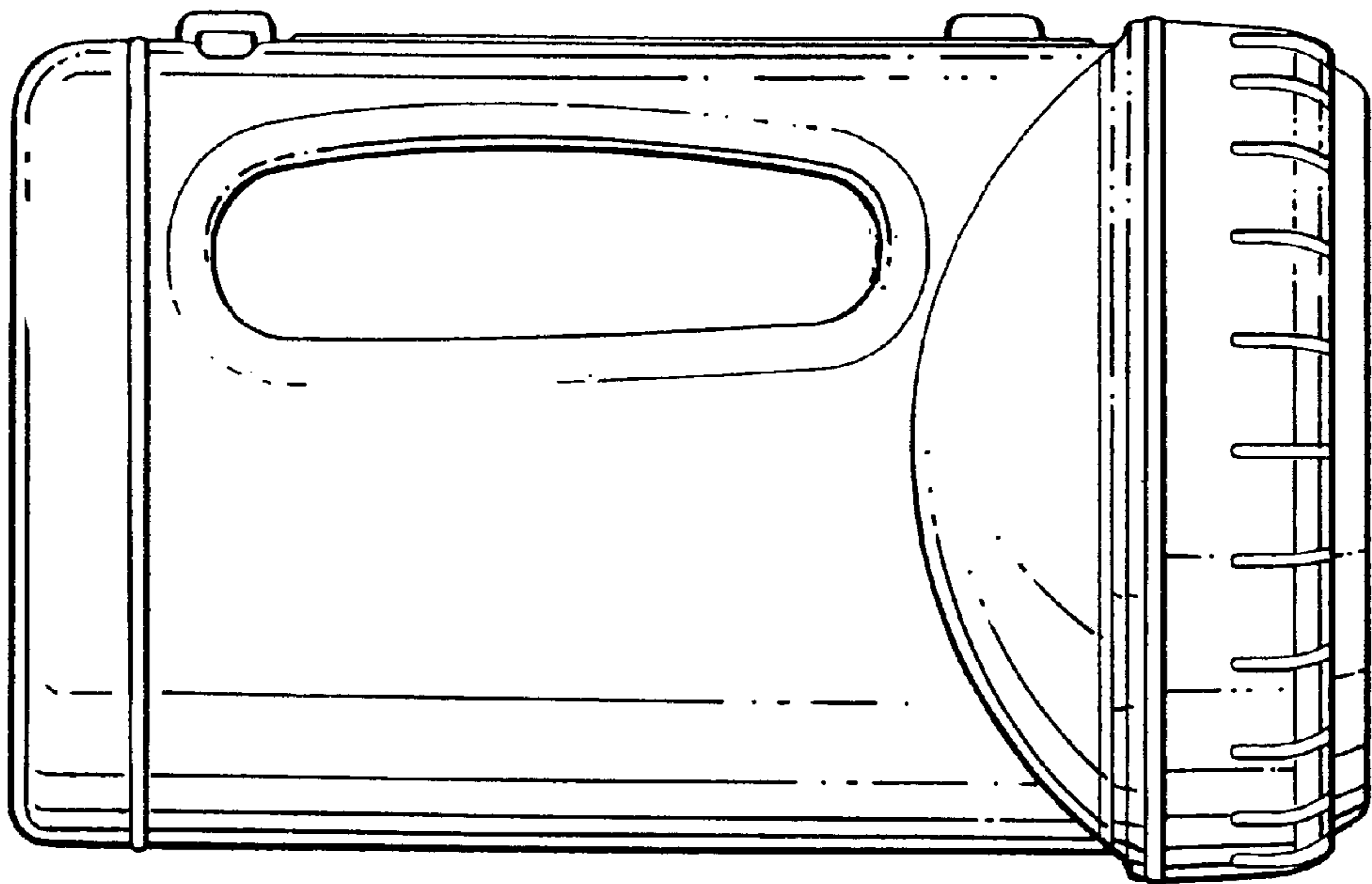


FIG. 2

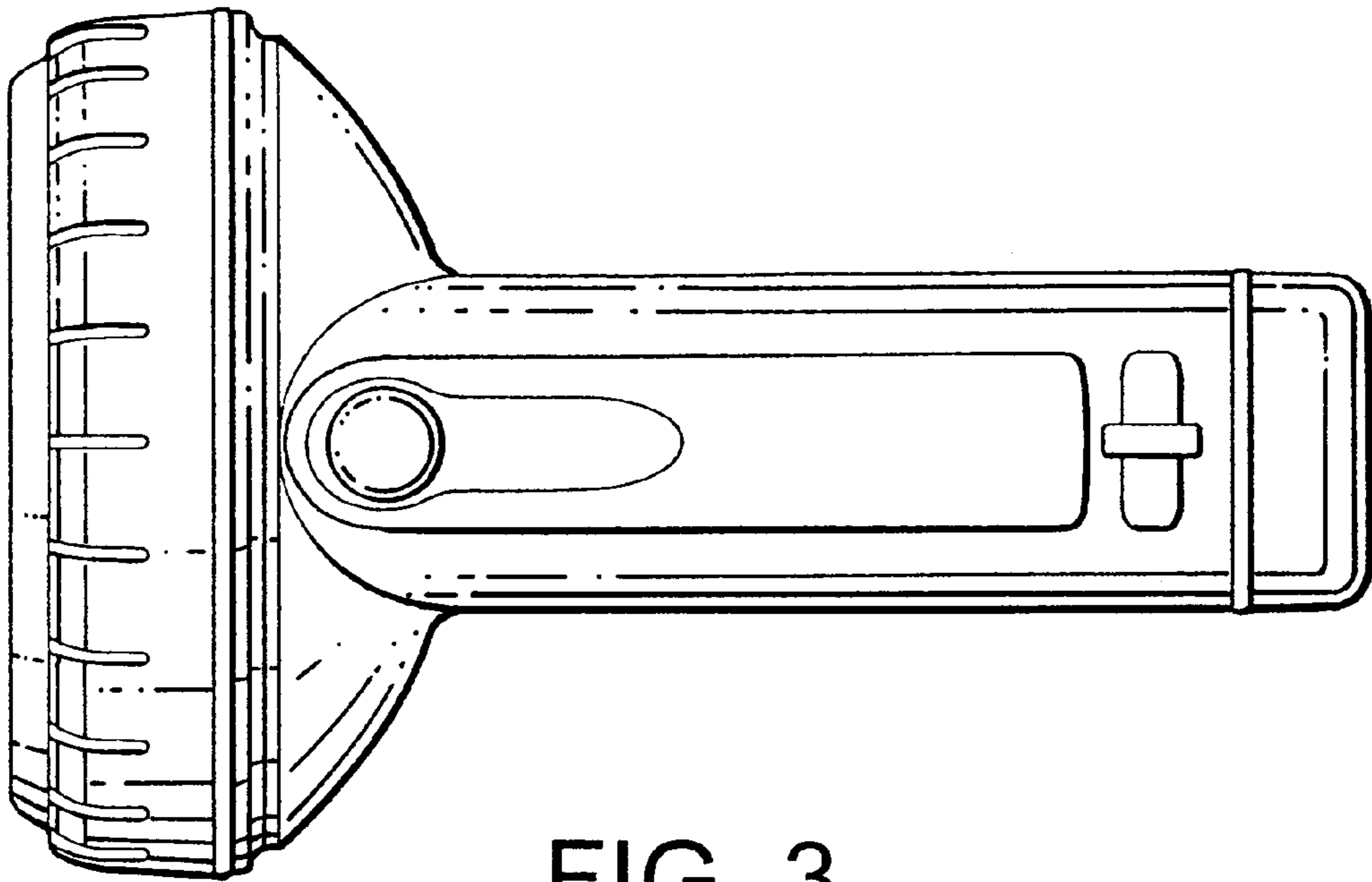


FIG. 3

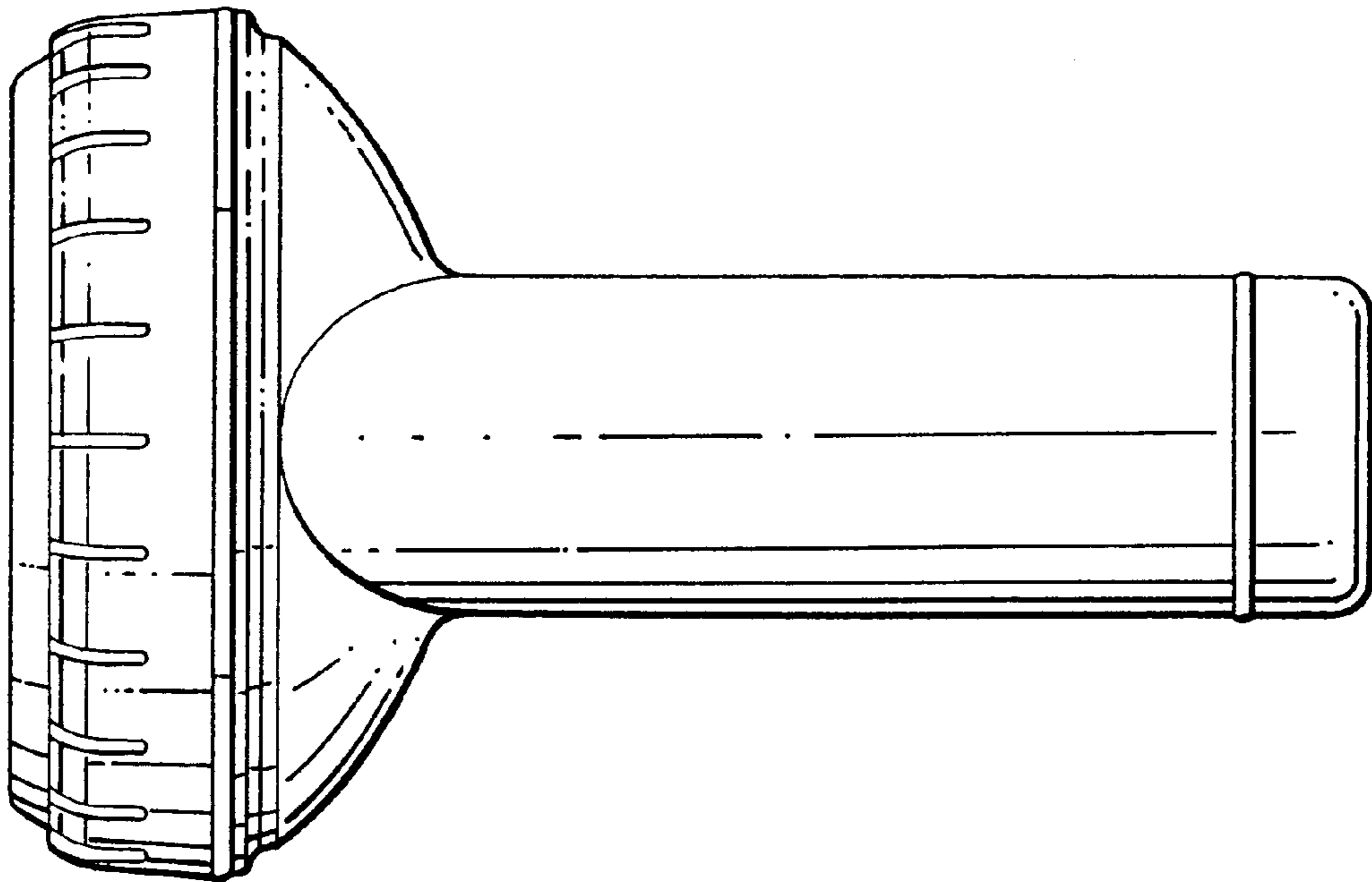


FIG. 4

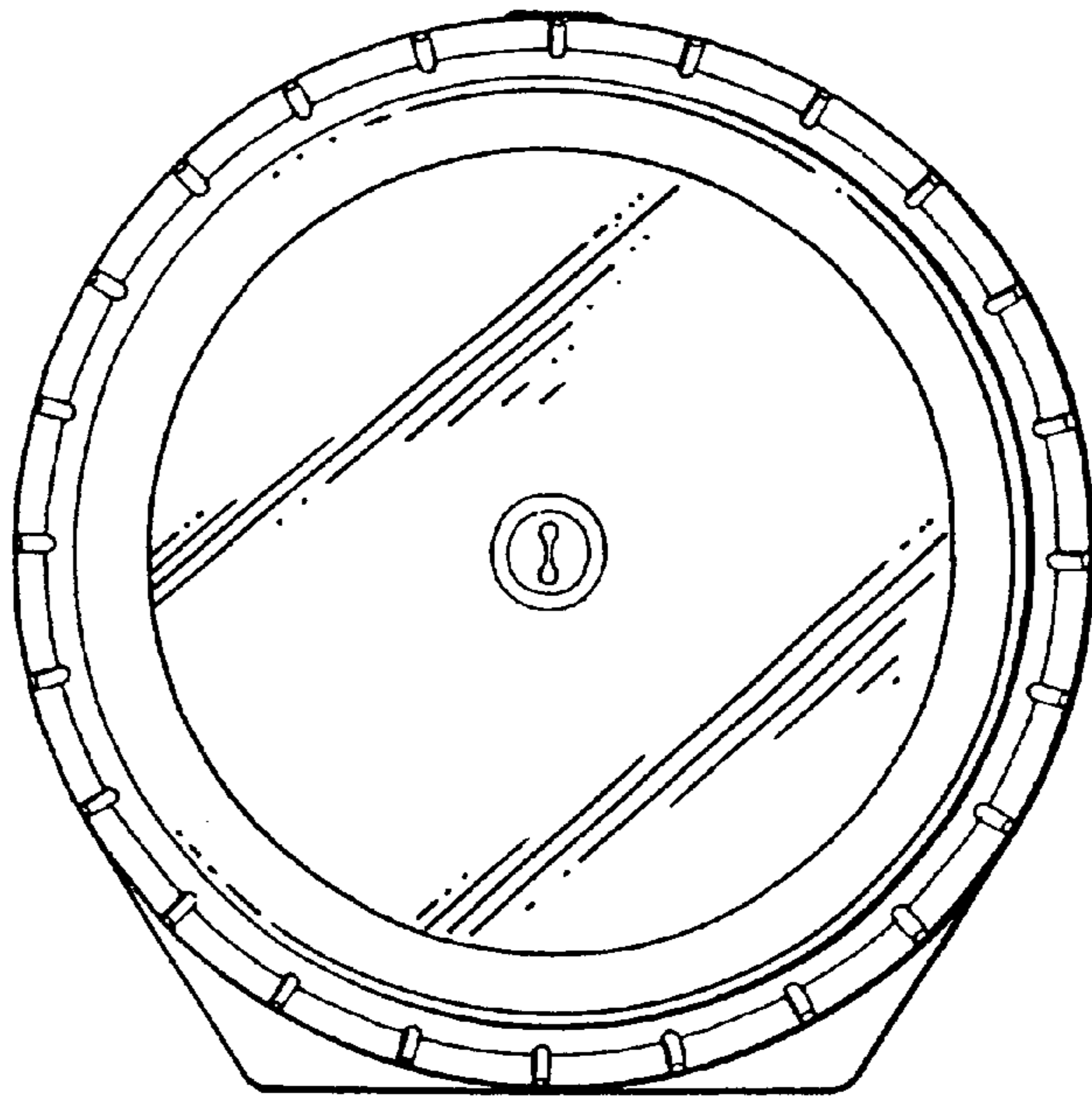


FIG. 5

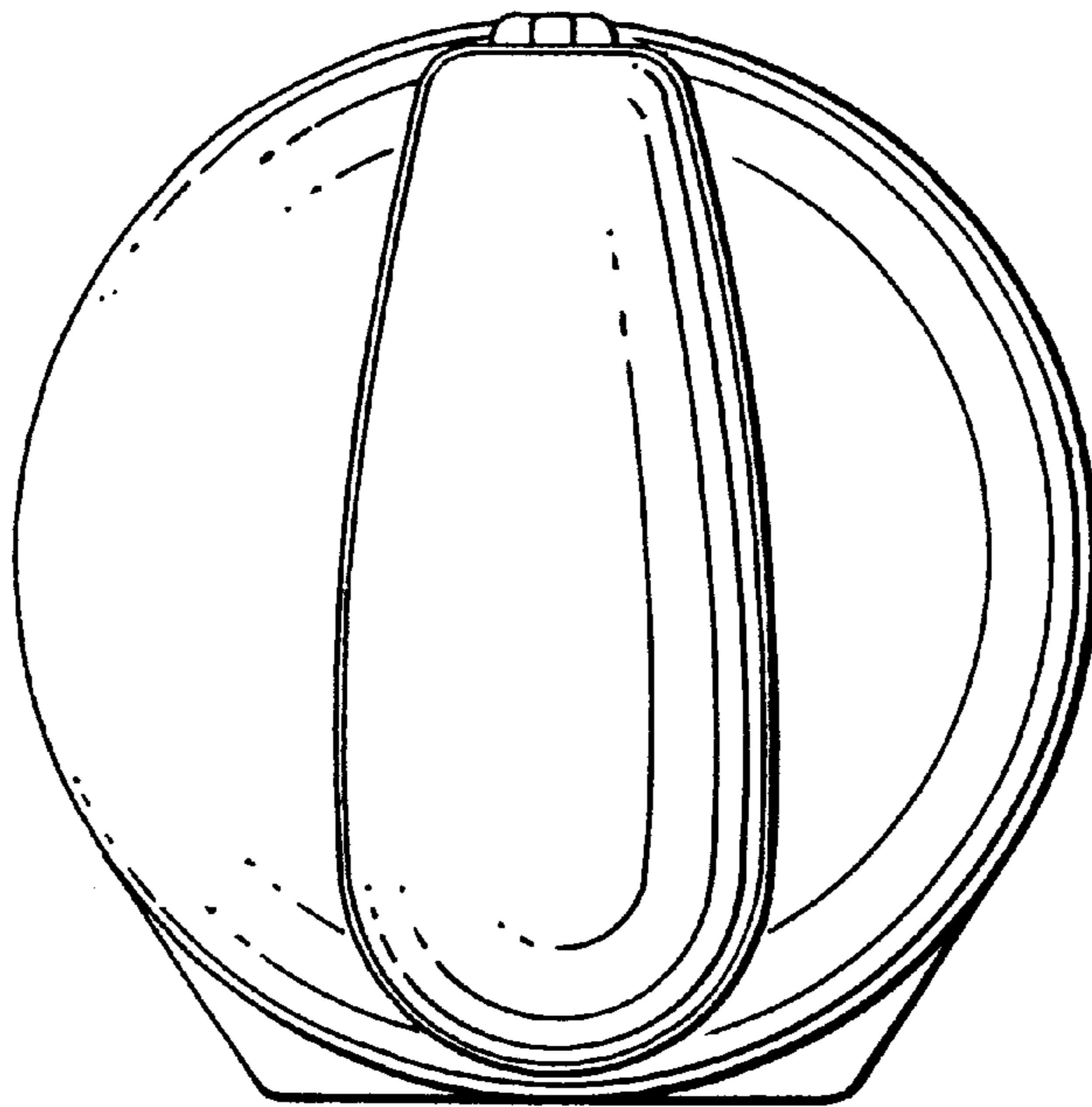


FIG. 6