



US00D444892S

(12) **United States Design Patent**
Winters

(10) **Patent No.:** **US D444,892 S**

(45) **Date of Patent:** **** Jul. 10, 2001**

(54) **CONCRETE CONSTRUCTION BLOCK**

(75) **Inventor:** **Gerald D. Winters**, Jonesboro, AR (US)

(73) **Assignee:** **Nettleton Concrete Works, Inc.**, Jonesboro, AR (US)

(**) **Term:** **14 Years**

(21) **Appl. No.:** **29/136,529**

(22) **Filed:** **Feb. 2, 2001**

Related U.S. Application Data

(62) Division of application No. 29/117,759, filed on Feb. 1, 2000, now Pat. No. Des. 439,989.

(51) **LOC (7) Cl.** **25-02**

(52) **U.S. Cl.** **D25/113**

(58) **Field of Search** D25/62-63, 68, D25/113-118, 199; D21/484-485, 490-493, 499-505; 52/609-610, 574-575, 596; 404/37-39, 34, 40-42, 50; 405/284-286

(56) **References Cited**

U.S. PATENT DOCUMENTS

D. 192,734 * 5/1962 Terry D25/118

D. 408,930	*	4/1999	Behunin	D25/114
D. 439,989	*	4/2001	Winters	D25/113
2,137,153	*	11/1938	Brozek	52/574
2,184,682	*	12/1939	Sentrop	D25/116 X
3,060,542	*	10/1962	Martin	52/596
3,739,541	*	6/1973	Andrews	52/610 X
6,145,266	*	11/2000	VonDross	52/606 X

* cited by examiner

Primary Examiner—Louis S. Zarfaz

Assistant Examiner—Robert A. Delehanty

(74) *Attorney, Agent, or Firm*—Stephen D. Carver

(57) **CLAIM**

The ornamental design for a concrete construction block, as shown and described.

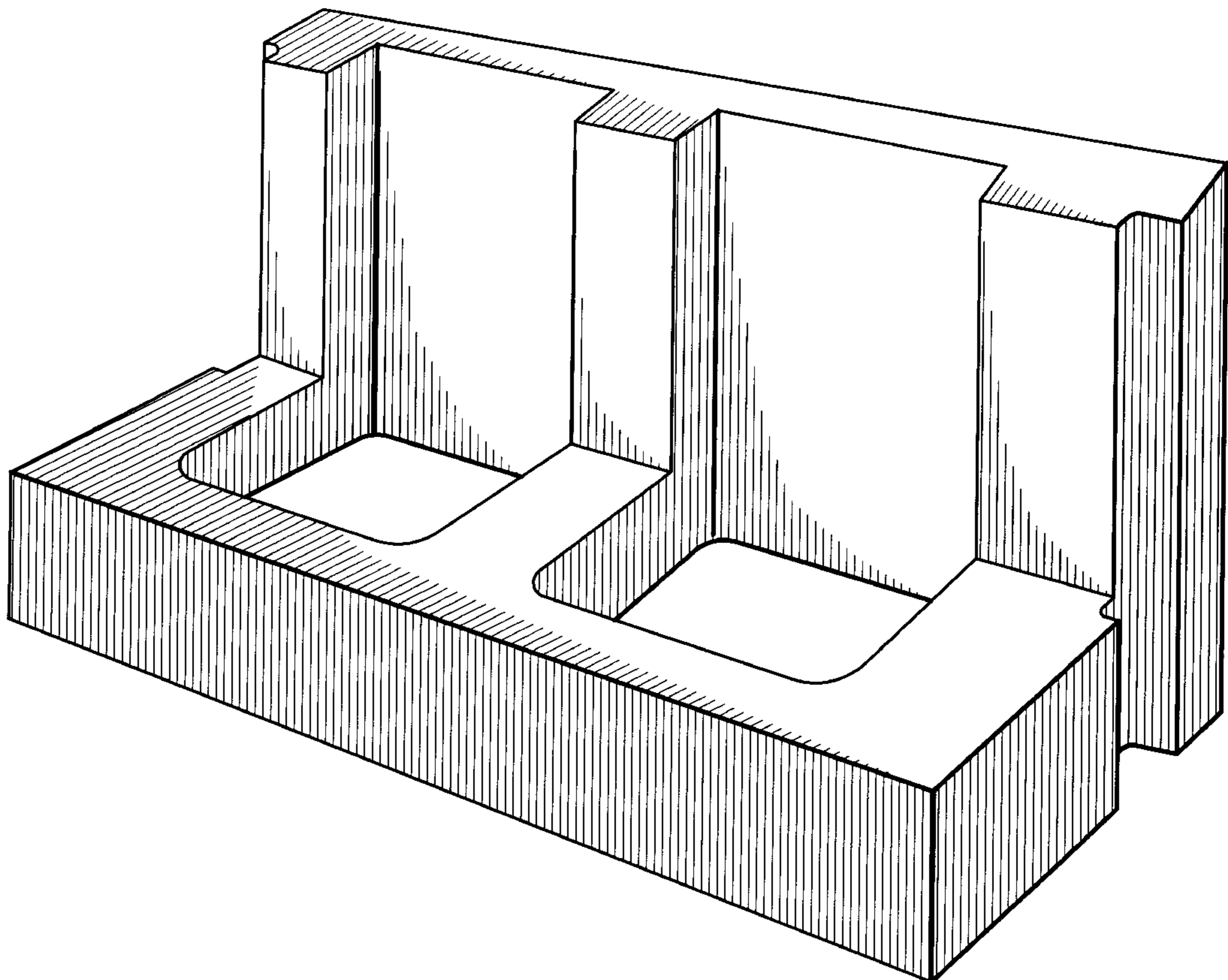
DESCRIPTION

FIG. 1 is a frontal isometric view of a preferred embodiment of my new concrete construction block,

FIG. 2 is a front plan view of the preferred embodiment; and,

FIG. 3 is a left end elevational view of the preferred embodiment, the opposite end comprising a mirror image.

1 Claim, 3 Drawing Sheets



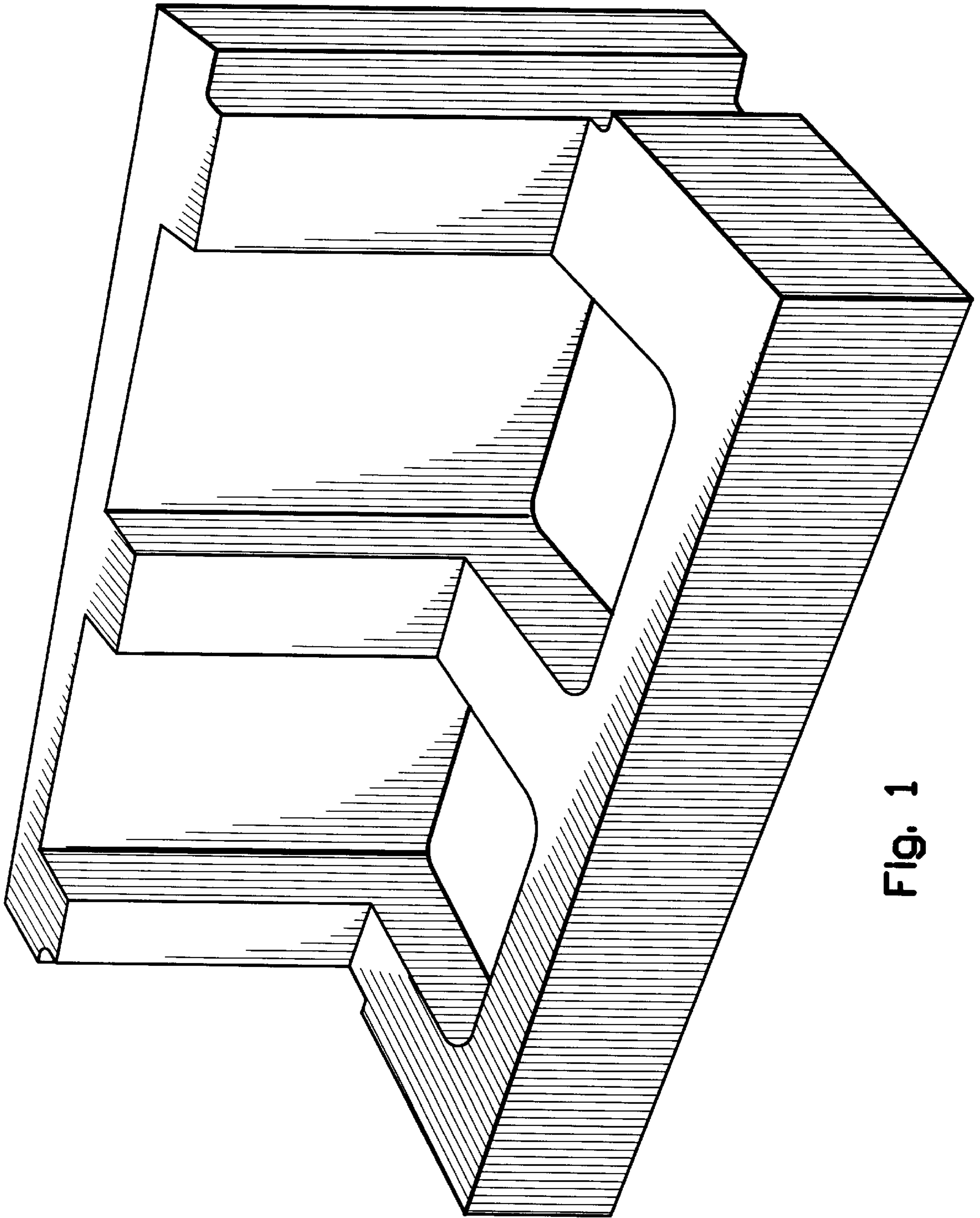


FIG. 1

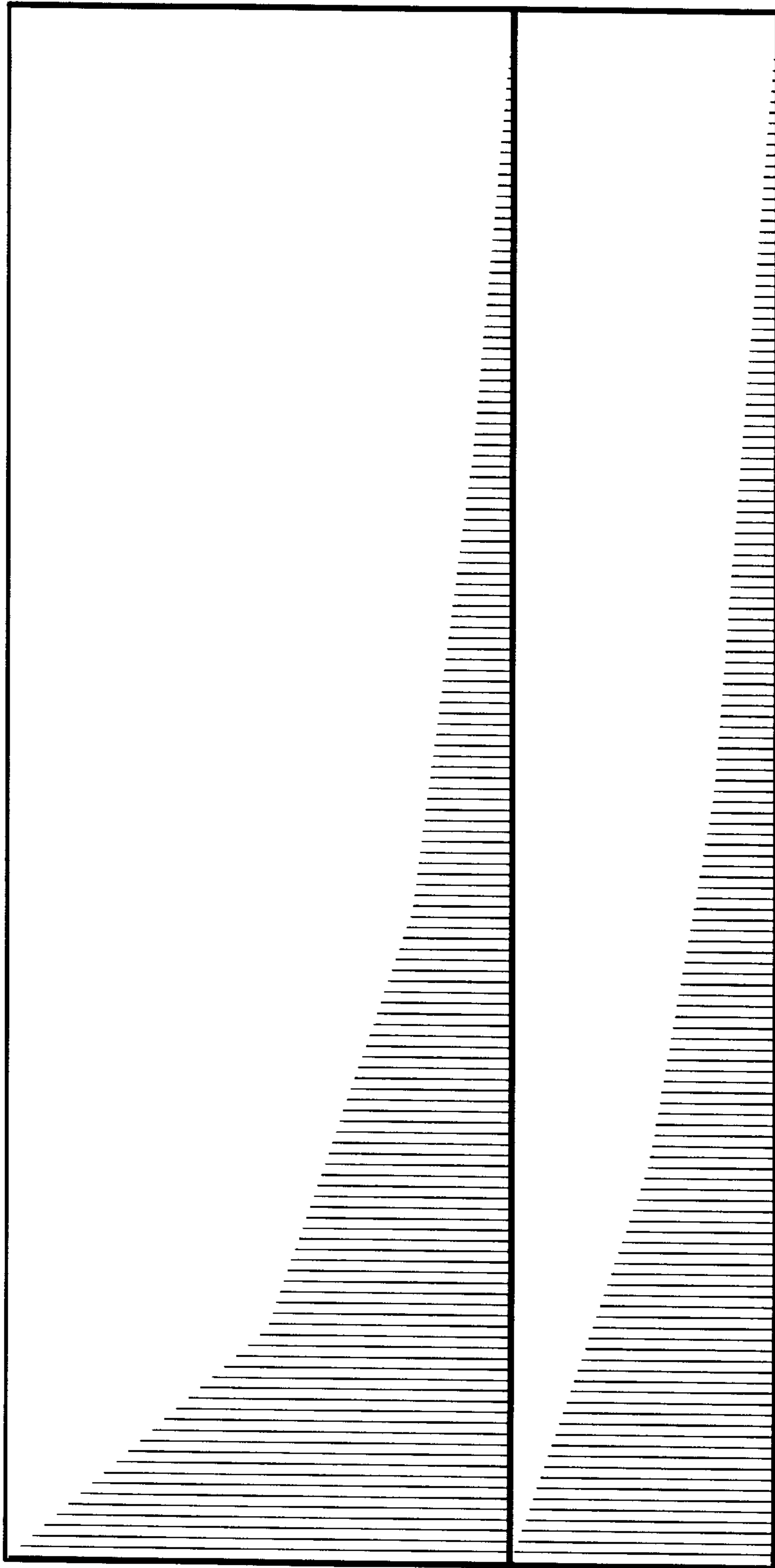


Fig. 2

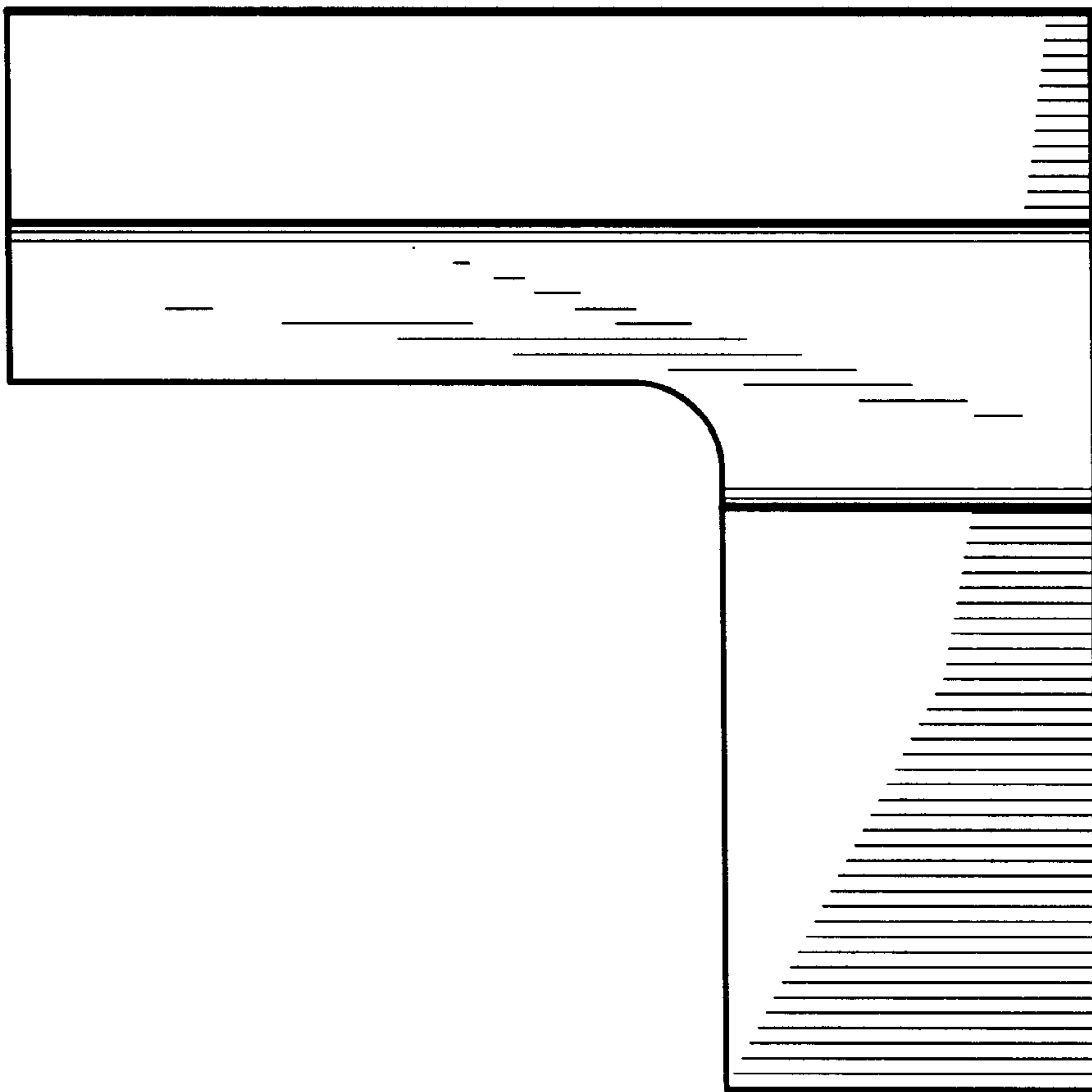


Fig. 3