



US00D444890S

(12) **United States Design Patent**
Redgate

(10) **Patent No.:** **US D444,890 S**

(45) **Date of Patent:** **** Jul. 10, 2001**

(54) **TOOL HOLDER**

(76) Inventor: **Robert F. Redgate**, 30 Hampton Cir.,
Hull, MA (US) 02045

(**) Term: **14 Years**

(21) Appl. No.: **29/116,825**

(22) Filed: **Jan. 12, 2000**

(51) **LOC (7) Cl.** **25-04**

(52) **U.S. Cl.** **D25/68**

(58) **Field of Search** D25/68; D12/133,
D12/424; D32/53.1; 182/129; 248/238,
210

(56) **References Cited**

U.S. PATENT DOCUMENTS

D. 363,995	11/1995	Mollenhauer .	
D. 380,559	* 7/1997	Sweeney	D25/68
4,653,713	3/1987	Hamilton .	
4,660,794	4/1987	Given .	

4,913,394	4/1990	Schmid .	
5,052,581	10/1991	Christ et al. .	
5,370,263	12/1994	Brown .	
5,613,574	3/1997	Melanson .	
5,673,885	* 10/1997	Pham	248/238

* cited by examiner

Primary Examiner—Doris Clark

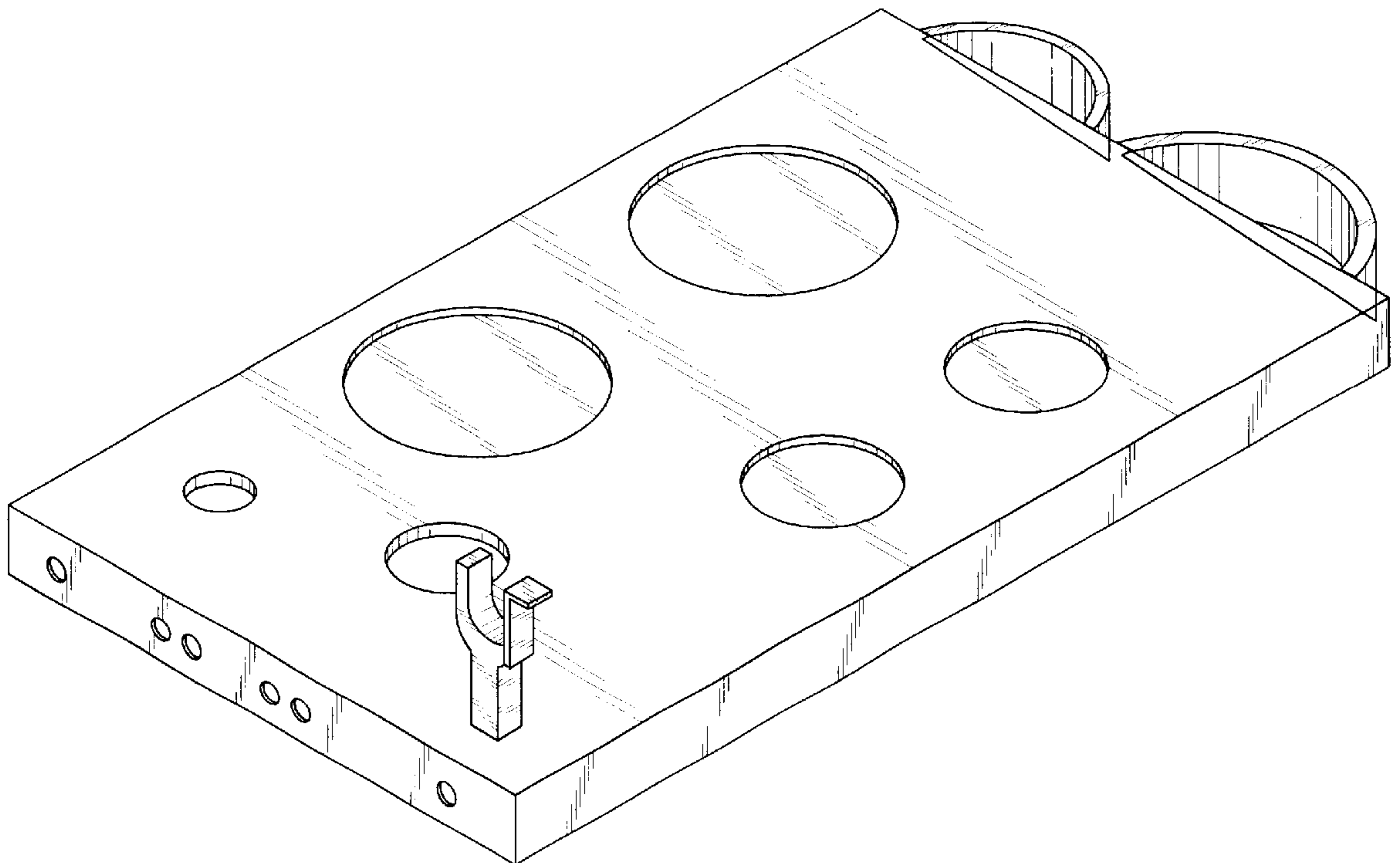
(57) **CLAIM**

The ornamental design for the tool holder, as shown and described.

DESCRIPTION

FIG. 1 is a perspective view of the tool holder;
FIG. 2 is a front view side of the tool holder;
FIG. 3 is a rear view of the tool holder;
FIG. 4 is a right side view of the tool holder;
FIG. 5 is a left side view of the tool holder;
FIG. 6 is a top view of the tool holder; and,
FIG. 7 is a bottom view of the tool holder.

1 Claim, 3 Drawing Sheets



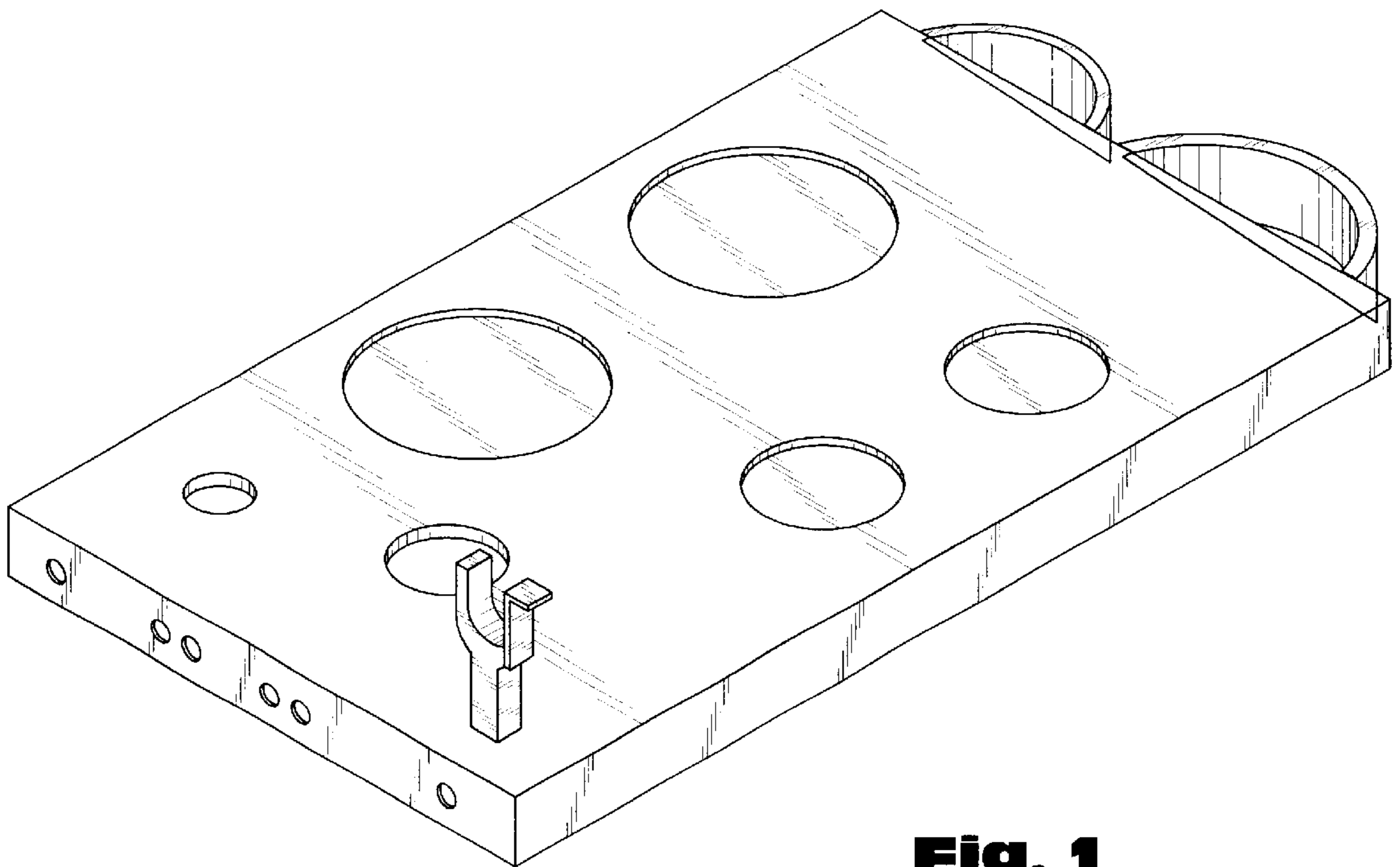


Fig. 1

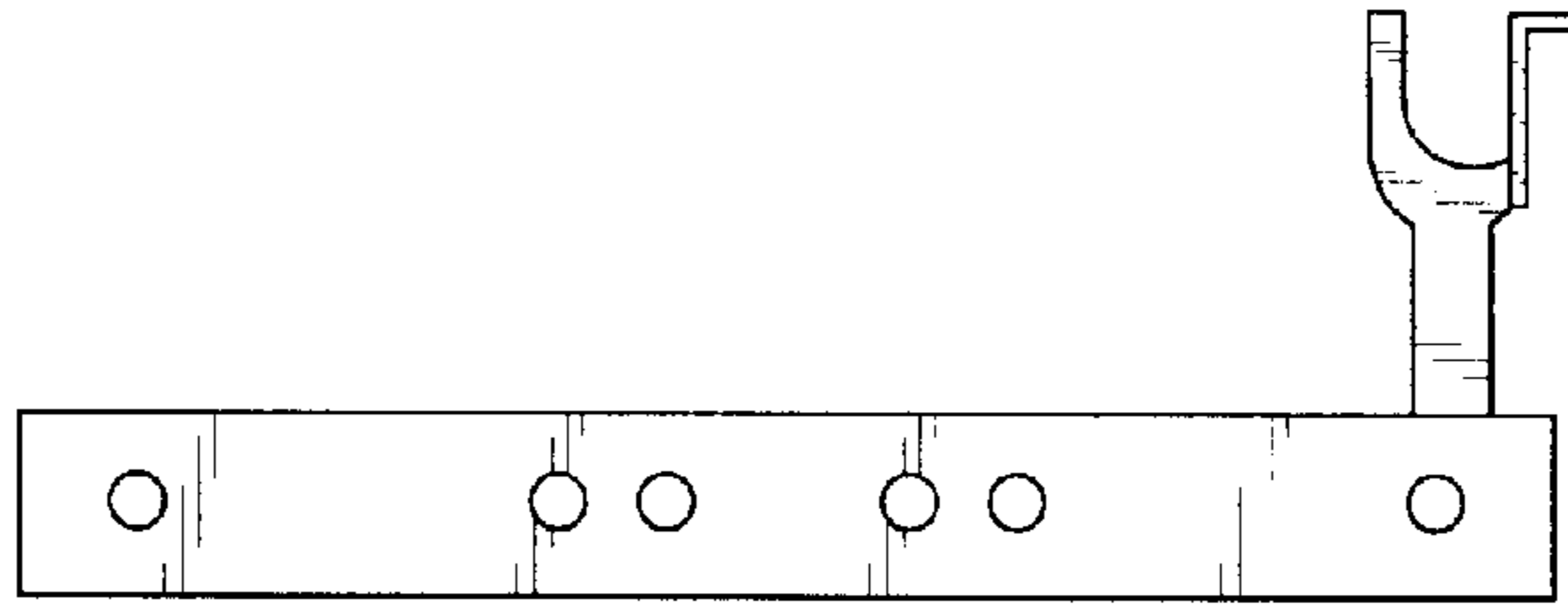


Fig. 2

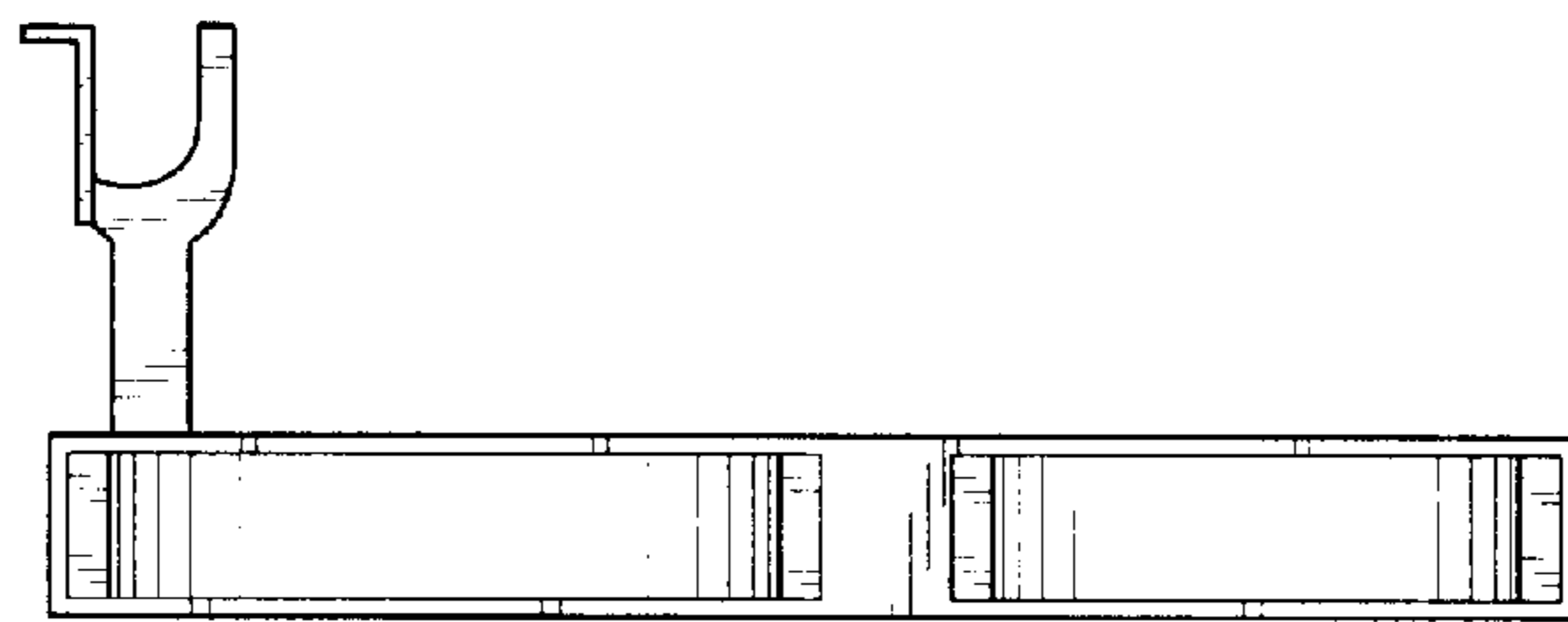


Fig. 3

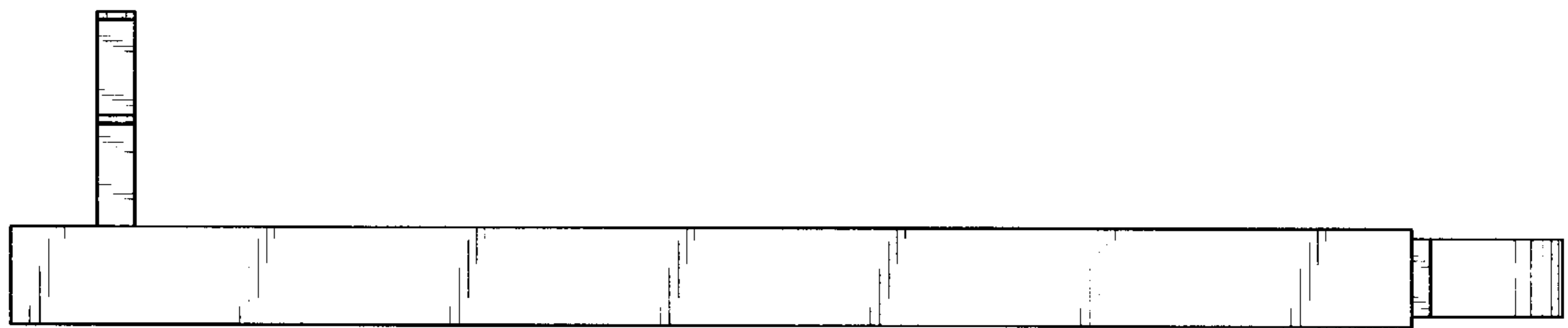


Fig. 4

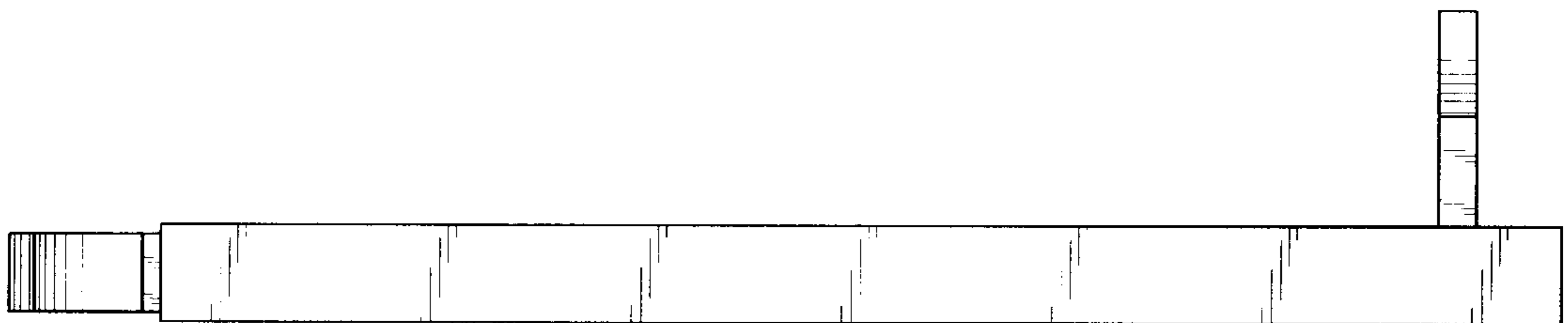


Fig. 5

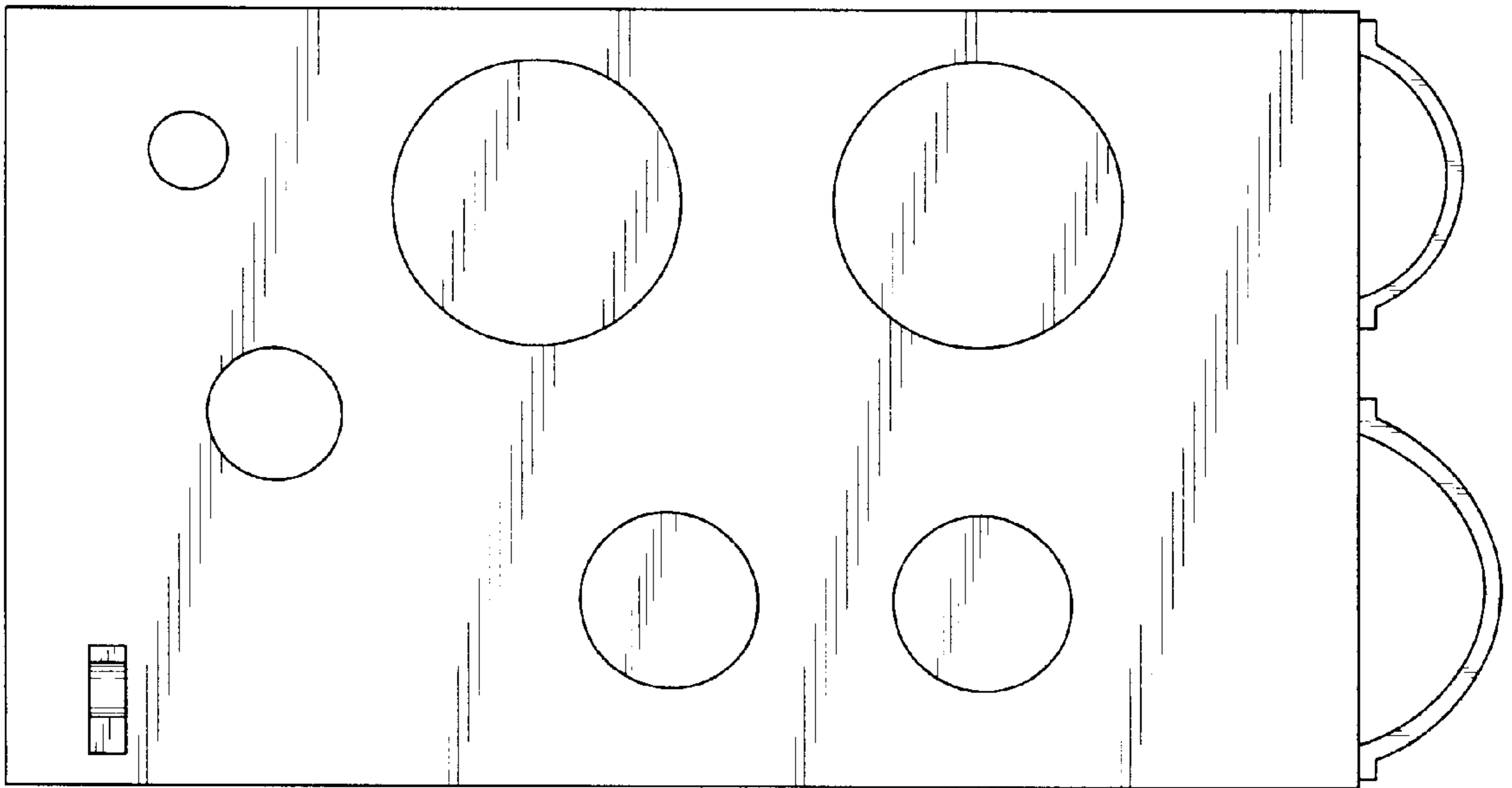


Fig. 6

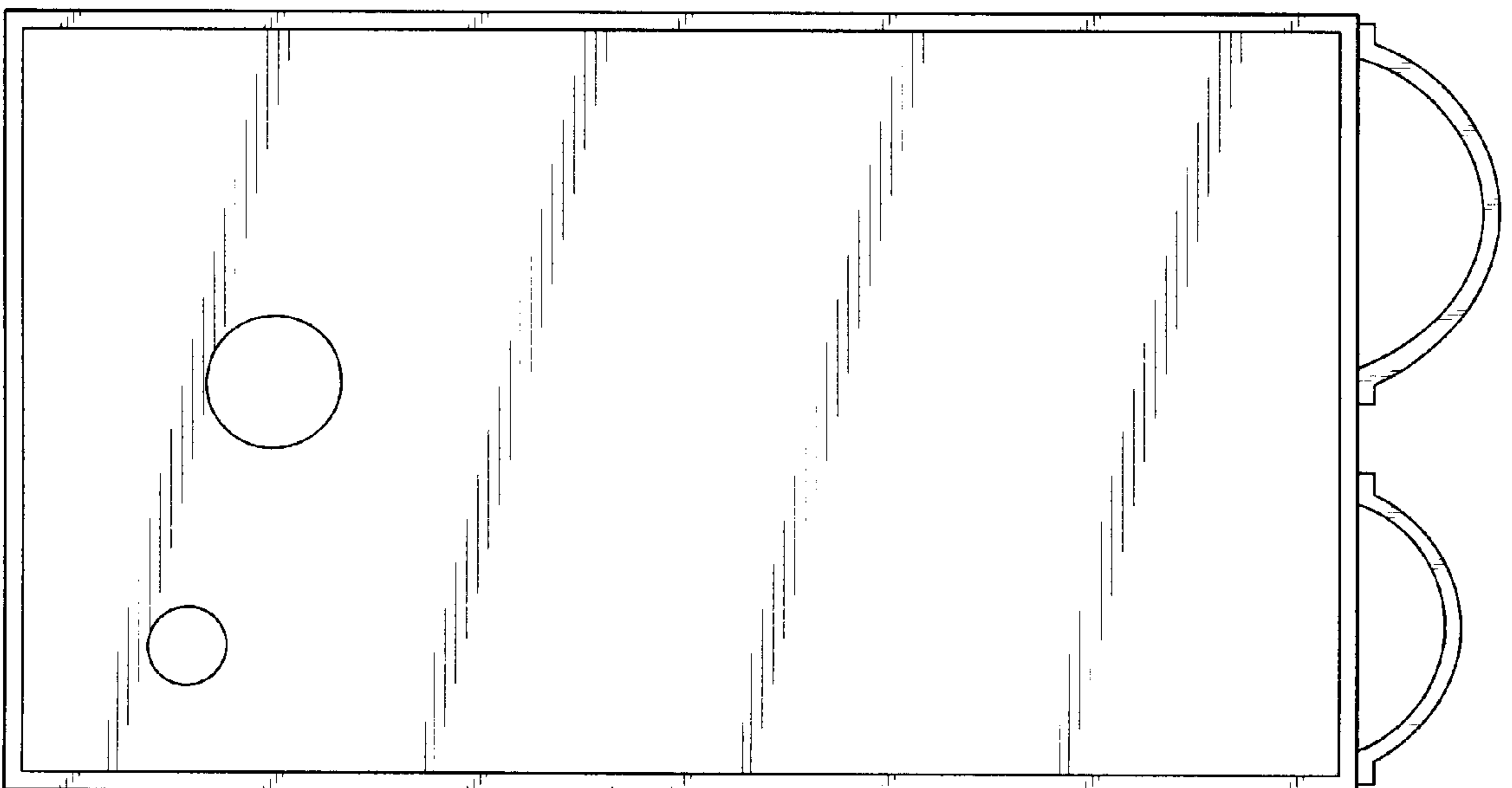


Fig. 7