



US00D444887S

(12) **United States Design Patent**
Conway

(10) **Patent No.:** **US D444,887 S**

(45) **Date of Patent:** **** Jul. 10, 2001**

(54) STACKABLE TUBE ASSEMBLY	4,397,318	8/1983	Burns	128/763
	4,830,217	5/1989	Dufresne et al.	220/420
(75) Inventor: Hugh T. Conway , Verona, NJ (US)	5,384,096	1/1995	Burns	422/102
	5,441,895	8/1995	Jakubowicz et al.	436/518
(73) Assignee: Becton, Dickinson and Company ,	5,545,375 *	8/1996	Tropsha et al.	422/102
Franklin Lakes, NJ (US)	5,924,594 *	7/1999	Kelly	422/102
	5,948,365 *	9/1999	Macy et al.	422/102

(**) **Term:** **14 Years**

* cited by examiner

(21) **Appl. No.:** **29/109,002**

Primary Examiner—Ian Simmons

(22) **Filed:** **Aug. 6, 1999**

(74) *Attorney, Agent, or Firm*—Nanette S. Thomas

(51) **LOC (7) Cl.** **24-02**

(57) **CLAIM**

(52) **U.S. Cl.** **D24/224**

The ornamental design of a stackable tube assembly, as shown.

(58) **Field of Search** D24/224, 216,
D24/223; D9/520, 570, 341; 422/102, 100,
104, 103, 61, 58, 215; 436/70, 105, 804;
222/4.21

DESCRIPTION

(56) **References Cited**

FIG. 1 is a front perspective view of the stackable tube assembly;
FIG. 2 is a top plan view thereof;
FIG. 3 a bottom plan view thereof; and,
FIG. 4 is a side view thereof.

U.S. PATENT DOCUMENTS

D. 356,643 *	3/1995	Burns	D24/224
3,615,222	10/1971	Mead	23/230 B
3,807,955	4/1974	Note, Jr. et al.	23/230 B

1 Claim, 3 Drawing Sheets

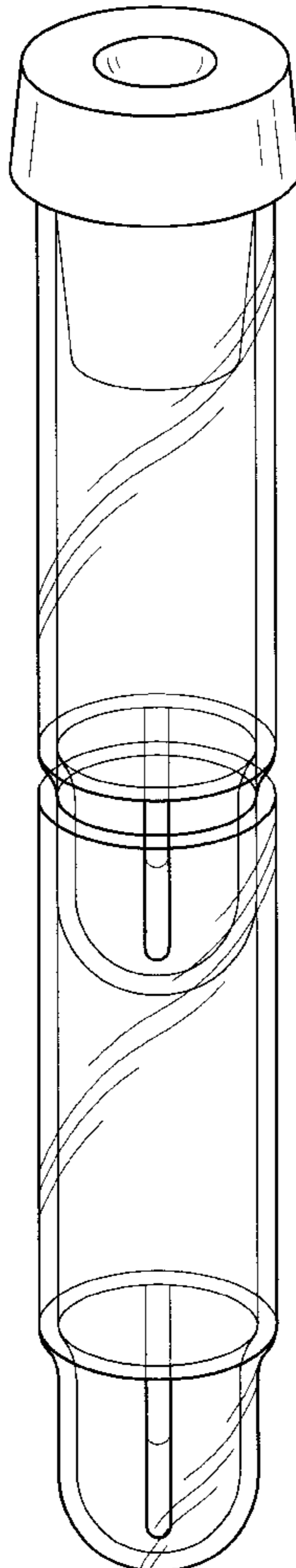


FIG. 1

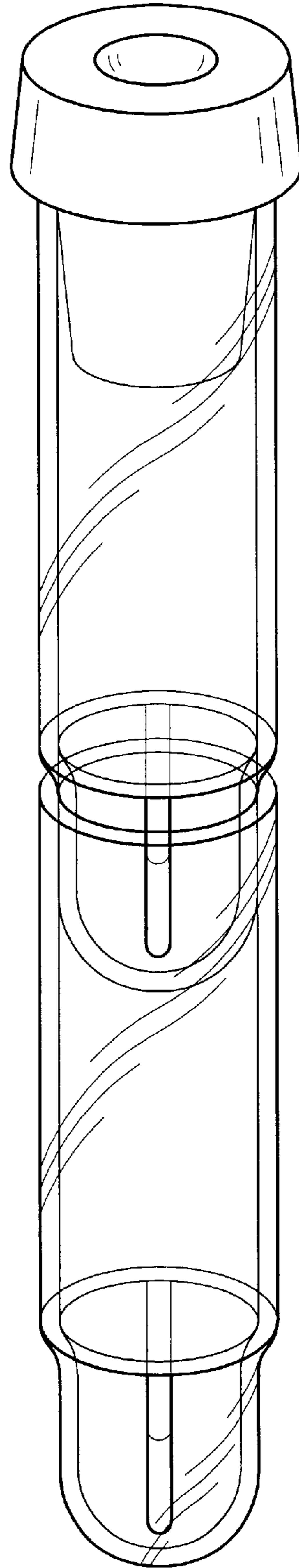


FIG. 2

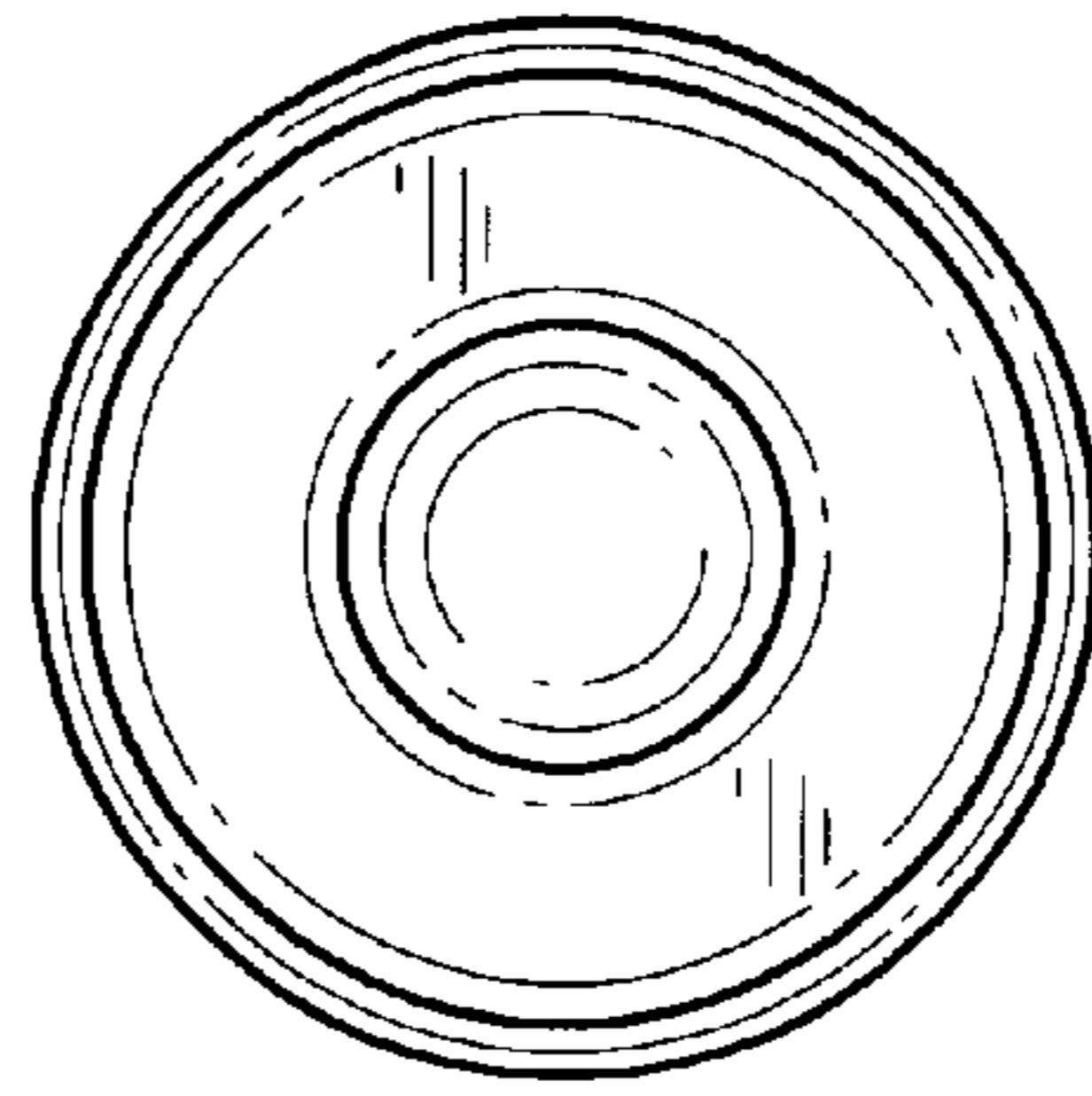


FIG. 3

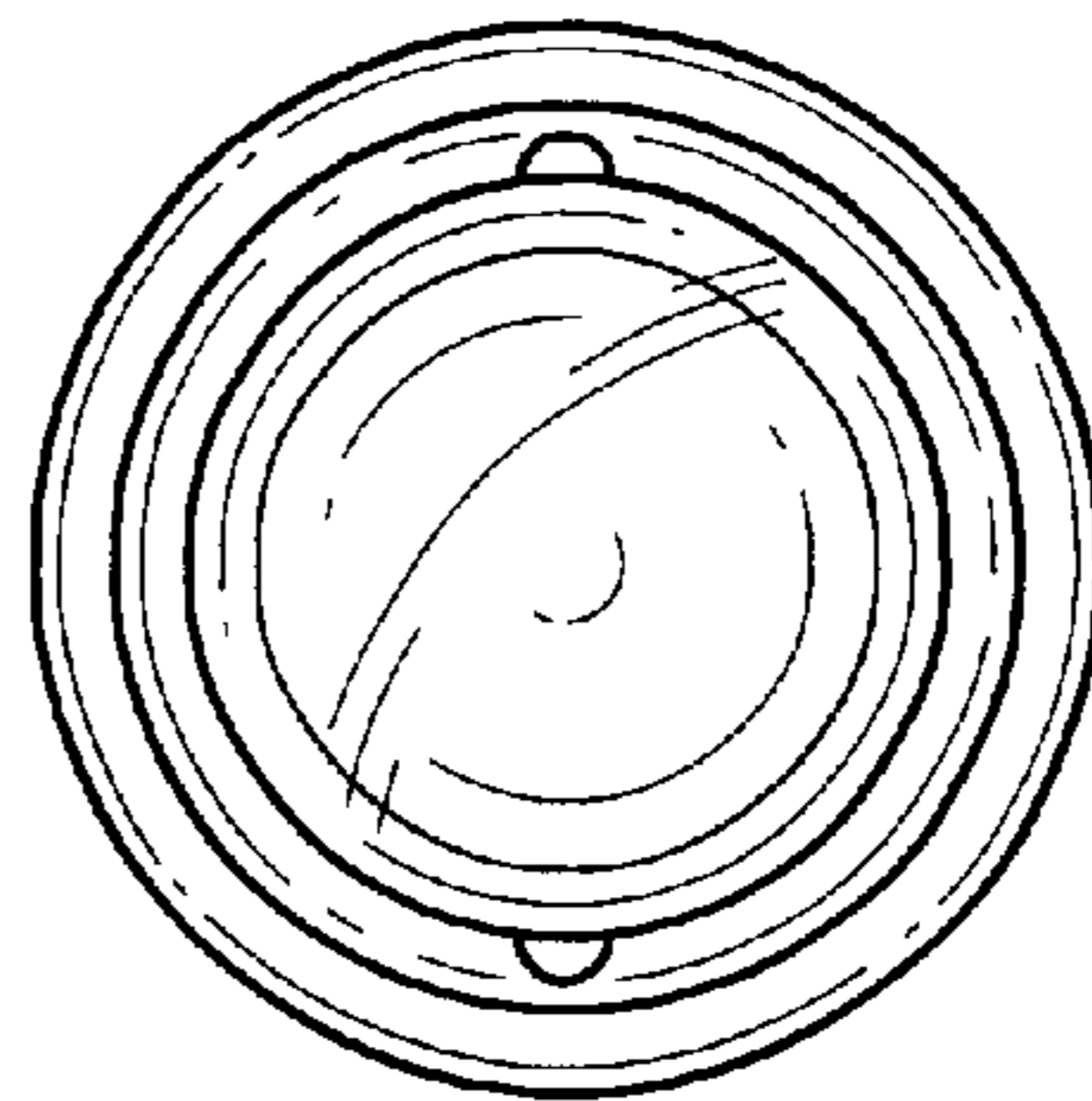


FIG. 4

