



US00D444886S

(12) **United States Design Patent**
Conway

(10) **Patent No.:** **US D444,886 S**

(45) **Date of Patent:** **** Jul. 10, 2001**

- (54) **STACKABLE TUBE ASSEMBLY**
- (75) Inventor: **Hugh T. Conway**, Verona, NJ (US)
- (73) Assignee: **Becton, Dickinson and Company**, Franklin Lakes, NJ (US)
- (**) Term: **14 Years**
- (21) Appl. No.: **29/108,985**
- (22) Filed: **Aug. 6, 1999**
- (51) **LOC (7) Cl.** **24-02**
- (52) **U.S. Cl.** **D24/224; D20/22**
- (58) **Field of Search** D24/224, 216, D24/223; D9/341, 520, 570; 422/102, 100, 101, 61, 58, 215, 103, 104; 220/4.27, 4.24; 430/70, 809, 45, 105; 40/663; D20/22, 10

5,397,542	*	3/1995	Nelms et al.	422/104
5,441,895		8/1995	Jakubowicz et al.	436/518
5,545,375		8/1996	Tropsha et al.	422/102
5,700,429	*	12/1997	Buhler et al.	422/104
5,745,227	*	4/1998	Dufresne et al.	436/70
5,906,744	*	5/1999	Carroll et al.	210/516
5,916,527	*	6/1999	Haswell	422/104
5,924,594	*	7/1999	Kelly	220/737
5,948,365	*	9/1999	Macy et al.	422/102

* cited by examiner

Primary Examiner—Ian Simmons

(74) *Attorney, Agent, or Firm*—Nanette S. Thomas

(57) **CLAIM**

The ornamental design of a stackable tube assembly, as shown.

DESCRIPTION

FIG. 1 is a front perspective view of the stackable tube assembly;
 FIG. 2 is a top plan view thereof;
 FIG. 3 is a bottom plan view thereof;
 FIG. 4 is a back side view thereof;
 FIG. 5 is a front view thereof;
 FIG. 6 is a left side view thereof; and,
 FIG. 7 is a right side view thereof.

1 Claim, 4 Drawing Sheets

(56) **References Cited**
 U.S. PATENT DOCUMENTS

D. 357,985	*	5/1995	Burns	D24/224
3,615,222		10/1971	Mead	23/230 B
3,807,955		4/1974	Note, Jr. et al.	23/230 B
4,397,318		8/1983	Burns	128/763
4,830,217		5/1989	Dufresne et al.	220/420
5,019,243	*	5/1991	McEwen et al.	422/102
5,384,096		1/1995	Burns	422/102

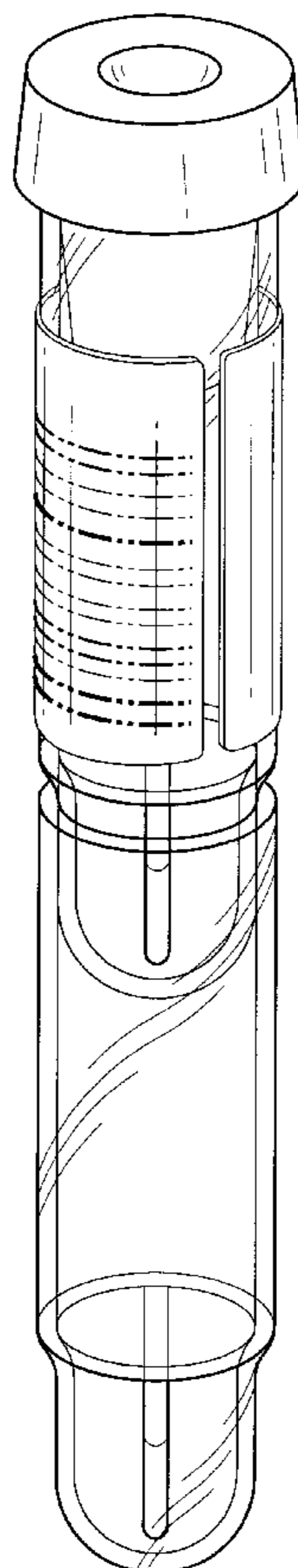


FIG. 1

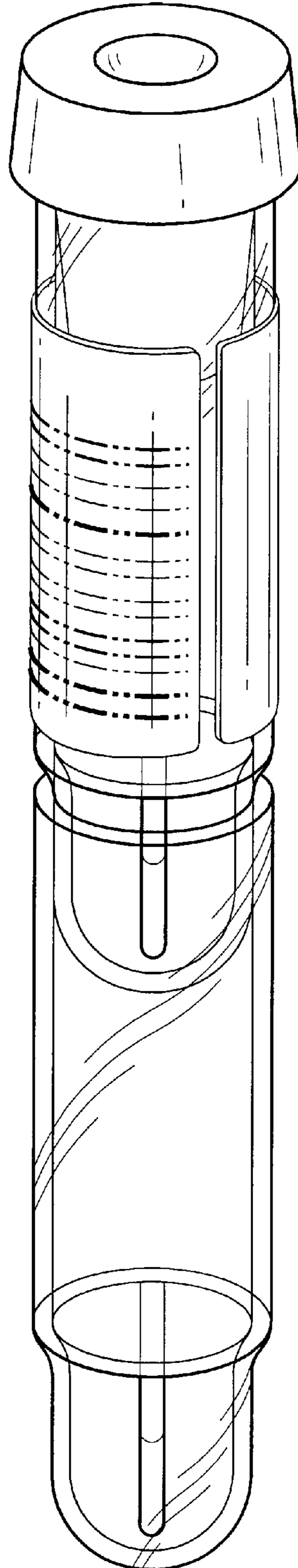


FIG. 2

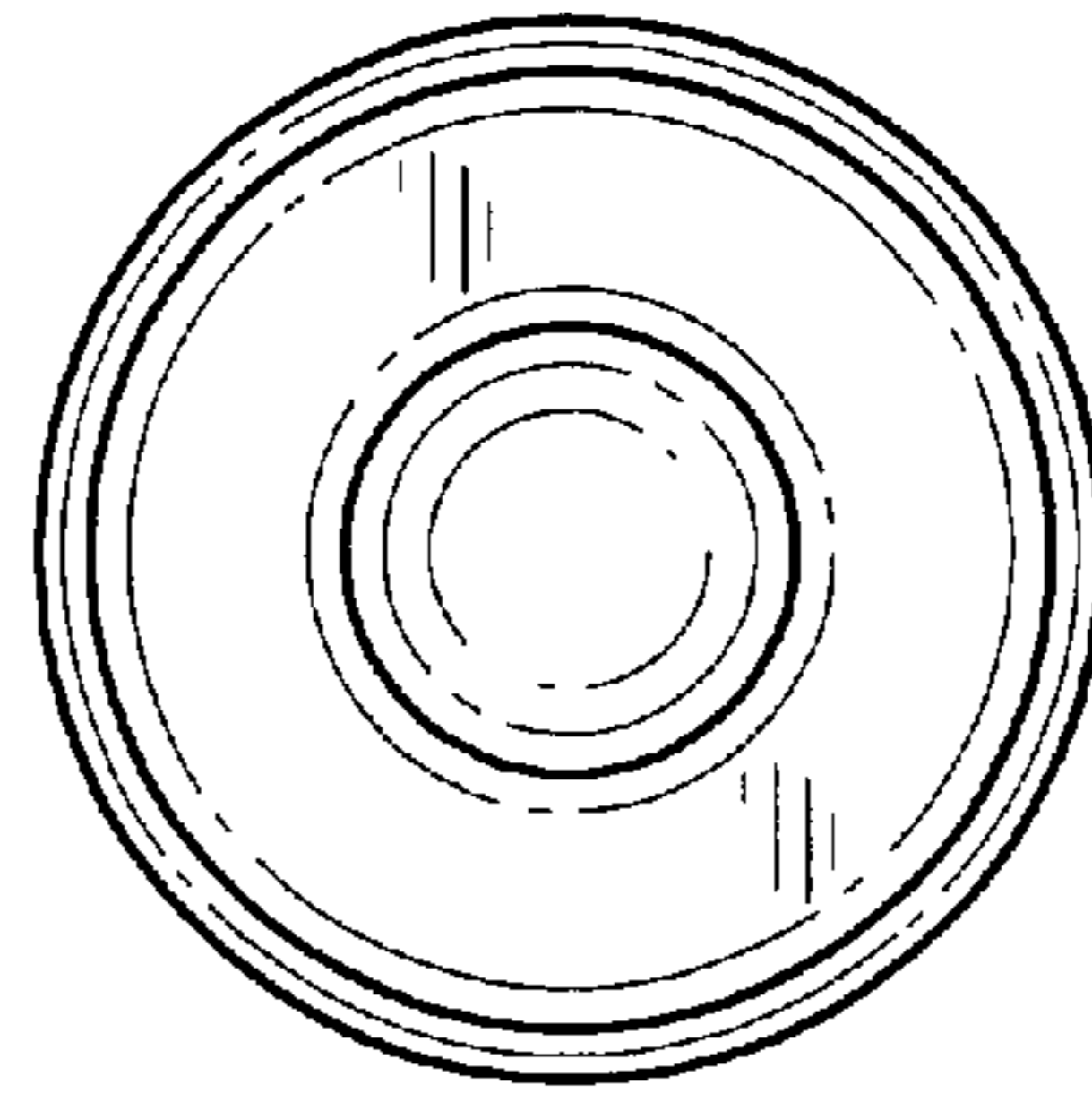


FIG. 3

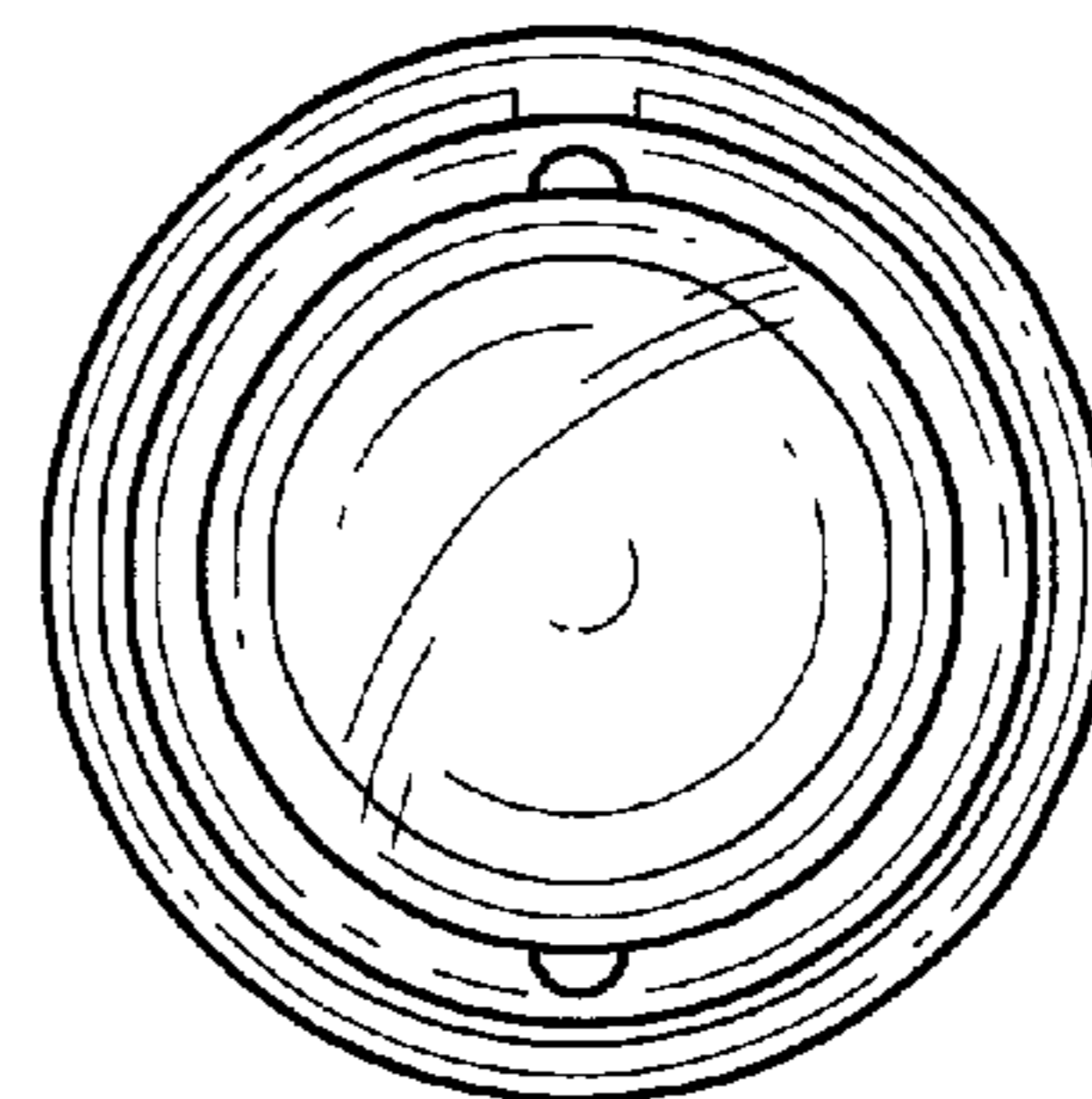


FIG. 4

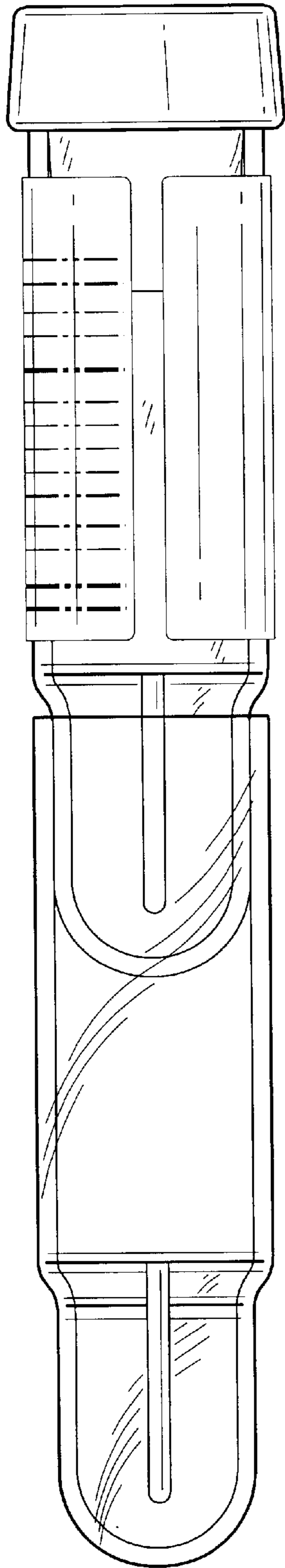


FIG. 5

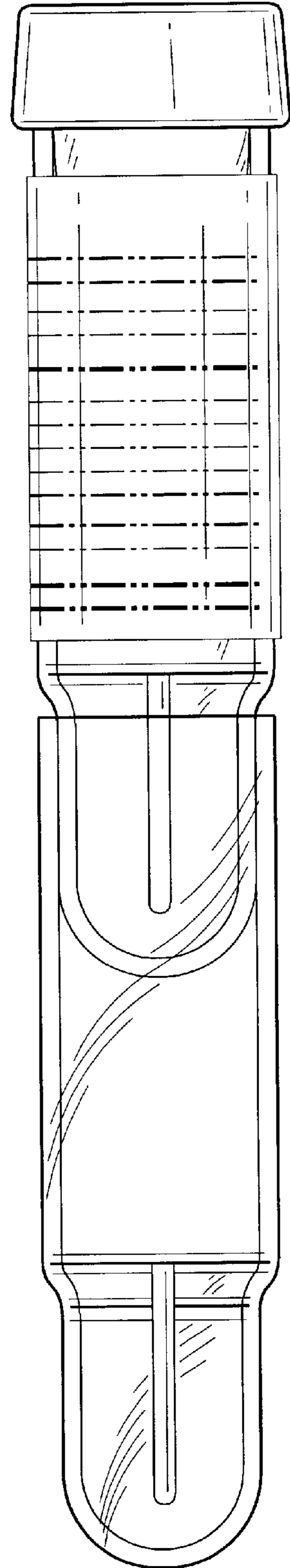


FIG. 6

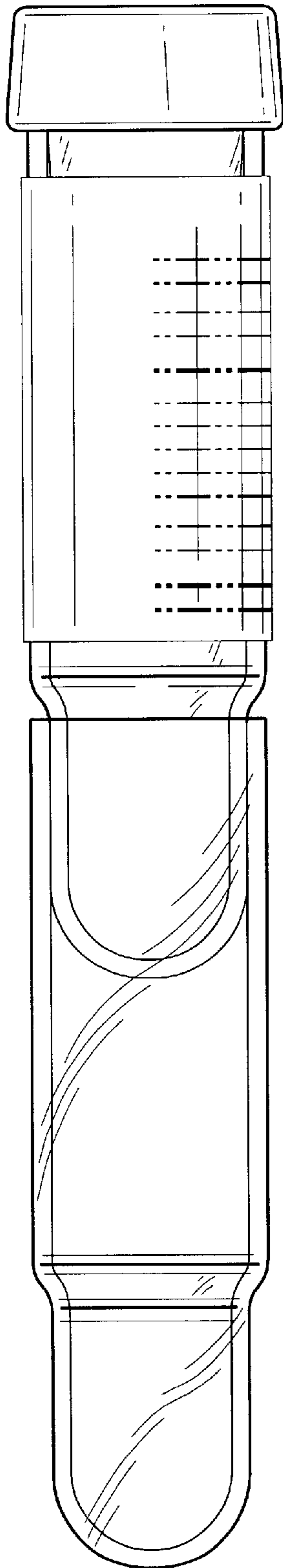


FIG. 7

