



US00D444880S

(12) **United States Design Patent**  
**Johansen et al.**

(10) **Patent No.:** **US D444,880 S**

(45) **Date of Patent:** **\*\* Jul. 10, 2001**

(54) **PACIFIER**

2,707,470 5/1955 Greene ..... 128/252

(75) Inventors: **Jean L. Johansen; Brenda J. Meyers,**  
both of Reedsburg, WI (US)

(List continued on next page.)

(73) Assignee: **Gerber Products Company,**  
Reedsburg, WI (US)

**FOREIGN PATENT DOCUMENTS**

(\*\*) Term: **14 Years**

1 287 253 1/1969 (DE) .  
3316-824-A 11/1984 (DE) .  
0 153 876 9/1985 (EP) .  
621.677 5/1927 (FR) .  
2 192 341 A 1/1988 (GB) .  
WO 91/11982 8/1991 (WO) .  
WO 94/23686 10/1994 (WO) .

(21) Appl. No.: **29/132,110**

(22) Filed: **Nov. 2, 2000**

**OTHER PUBLICATIONS**

(51) **LOC (7) Cl.** ..... **24-04**

(52) **U.S. Cl.** ..... **D24/194**

(58) **Field of Search** ..... D24/194, 193,  
D24/196; 606/234, 235, 236; 215/11.1-11.6

“Draft Drawings for a U.S. Design Patent Application” Jun. 17, 1999.

“Photographs of Pacifier Embodiment Consumer Tested on Apr. 14, 1998”.

U.S. application No. 29/119,571, filed Mar. 1, 2000, Johansen et al.

(56) **References Cited**

**U.S. PATENT DOCUMENTS**

D. 167,466 8/1952 Lobl ..... D83/8  
D. 219,251 11/1970 Chrones ..... D83/8  
D. 237,222 10/1975 Moore ..... D24/4  
D. 237,554 11/1975 Hurst ..... D24/4  
D. 249,161 8/1978 Röhrig ..... D24/45  
D. 267,116 11/1982 Bubelis ..... D24/4  
D. 273,991 5/1984 Moore ..... D24/46  
D. 285,839 9/1986 Roehrig ..... D24/45  
D. 294,735 3/1988 Morano et al. .... D24/46  
D. 335,929 5/1993 Cunningham et al. .... D24/194  
D. 338,274 8/1993 Chuang ..... D24/194  
D. 363,548 10/1995 Riccio-Disch et al. .... D24/194  
D. 370,976 6/1996 Lin ..... D24/194  
D. 376,014 11/1996 McKenney ..... D24/194  
D. 380,836 7/1997 Fitzpatrick et al. .... D24/194  
D. 405,530 2/1999 Manganeillo et al. .... D24/196  
990,662 4/1911 MacGlashan .  
1,095,969 5/1914 Poore .  
2,093,130 9/1937 Kurkjian ..... 128/252  
2,503,505 4/1950 Middleton ..... 128/360  
2,520,773 8/1950 Müller ..... 128/252  
2,546,681 3/1951 Searer ..... 215/11  
2,588,069 3/1952 Allen ..... 128/252  
2,623,524 12/1952 Clemens ..... 128/252  
2,665,693 1/1954 Pecora ..... 128/360

*Primary Examiner*—Stella Reid

(74) *Attorney, Agent, or Firm*—Drinker Biddle & Reath LLP

(57) **CLAIM**

The ornamental design of a pacifier, as shown and described.

**DESCRIPTION**

FIG. 1 is an isometric view of a pacifier of our new design as see from above;

FIG. 2 is an isometric view of a pacifier of our new design as see from below;

FIG. 3 is a front elevational view of a pacifier of our new design;

FIG. 4 is a rear elevational view of a pacifier of our new design;

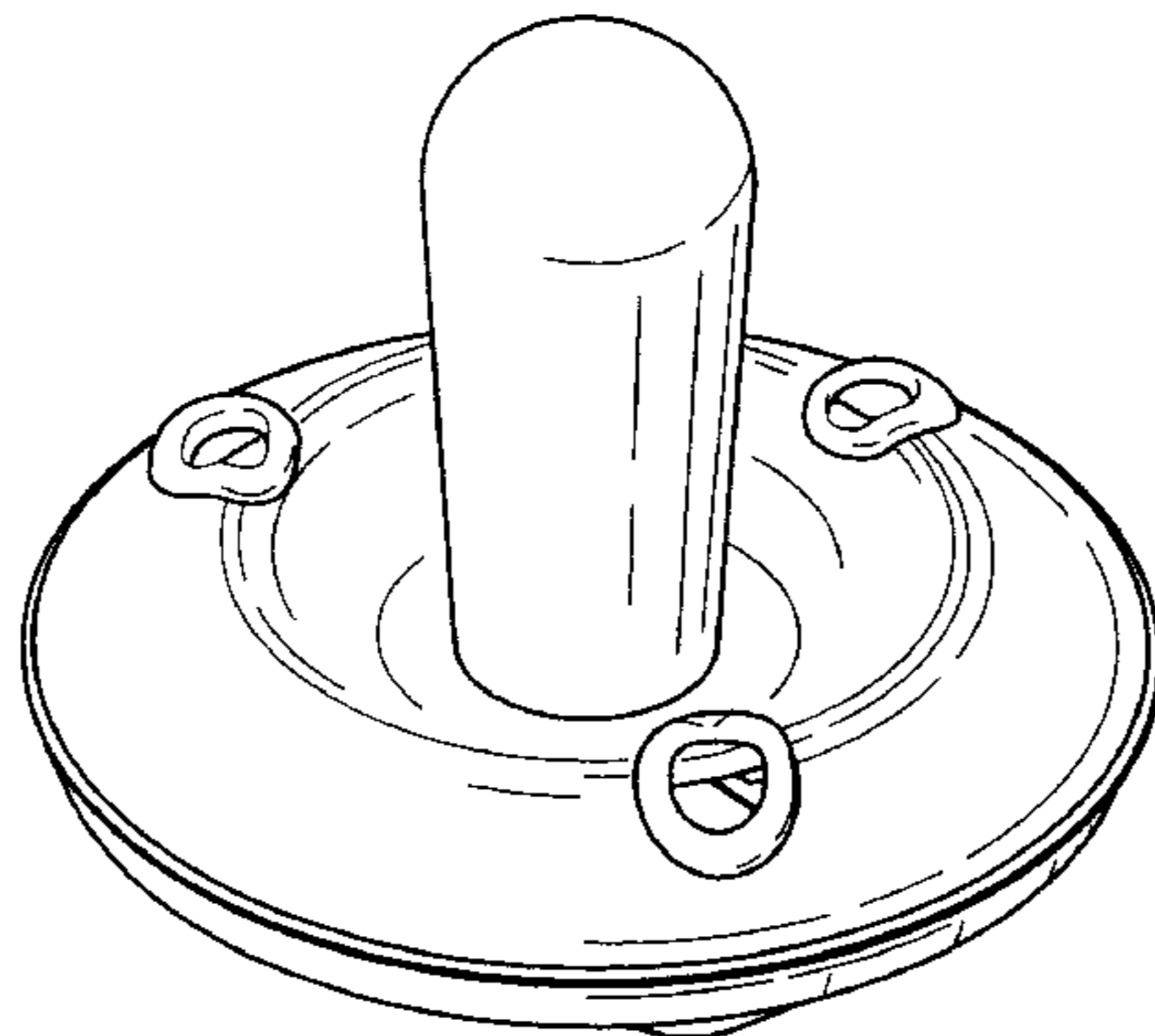
FIG. 5 is a top plan view of a pacifier of our new design;

FIG. 6 is a left side elevational view of a pacifier of our new design;

FIG. 7 is a right side elevational view of a pacifier of our new design; and,

FIG. 8 is a bottom plan view of a pacifier of our new design.

**1 Claim, 3 Drawing Sheets**



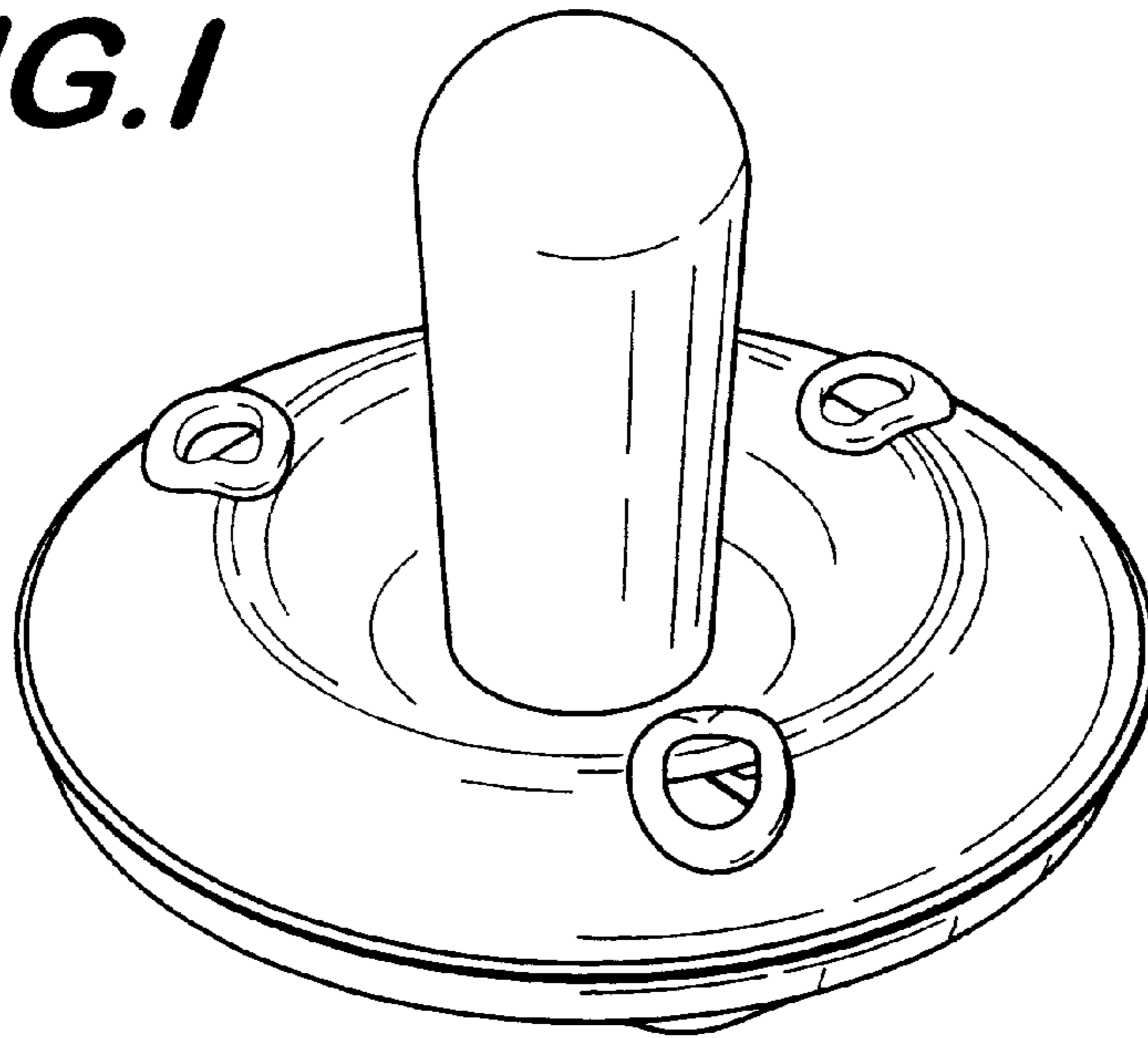
# US D444,880 S

Page 2

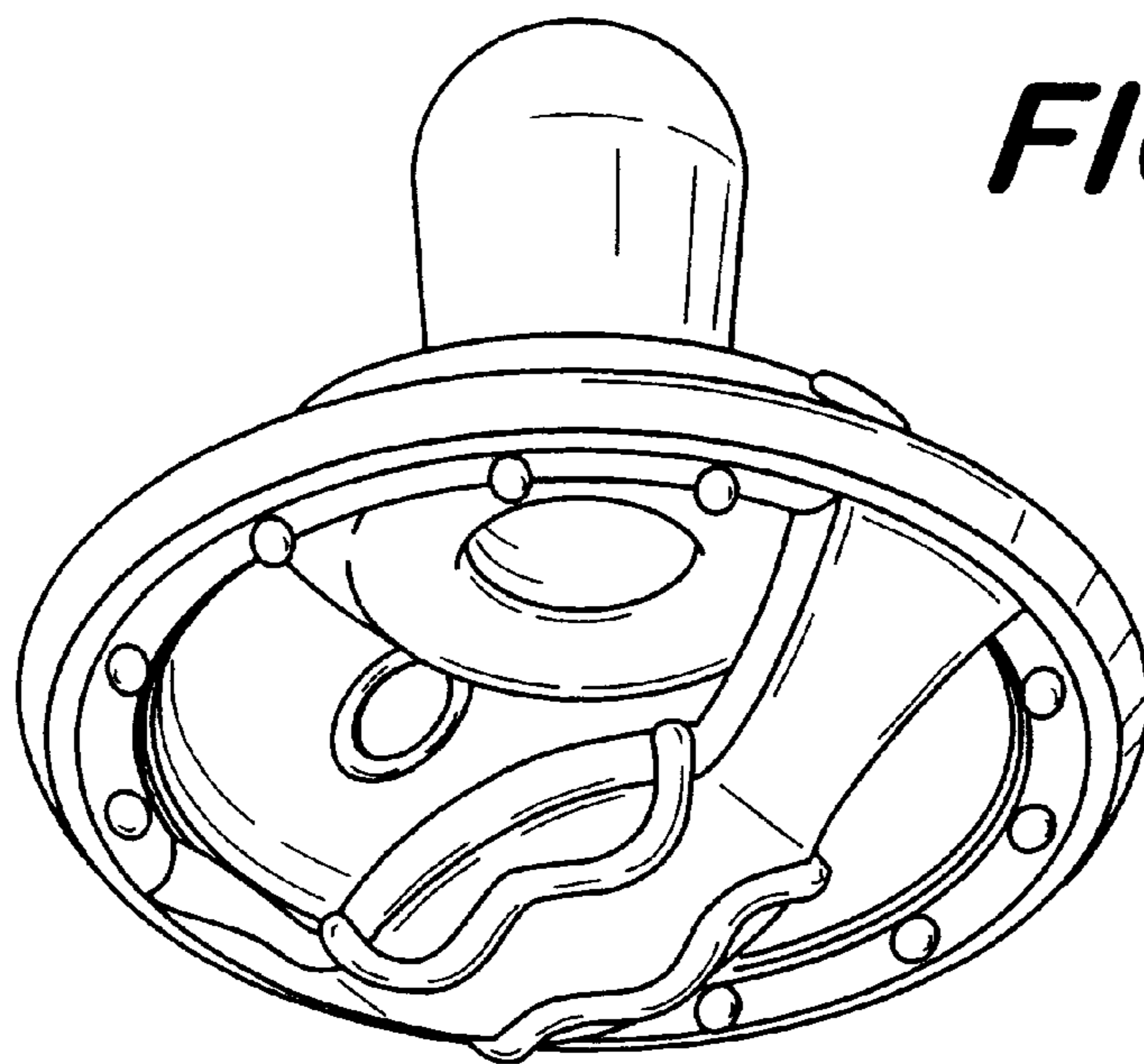
---

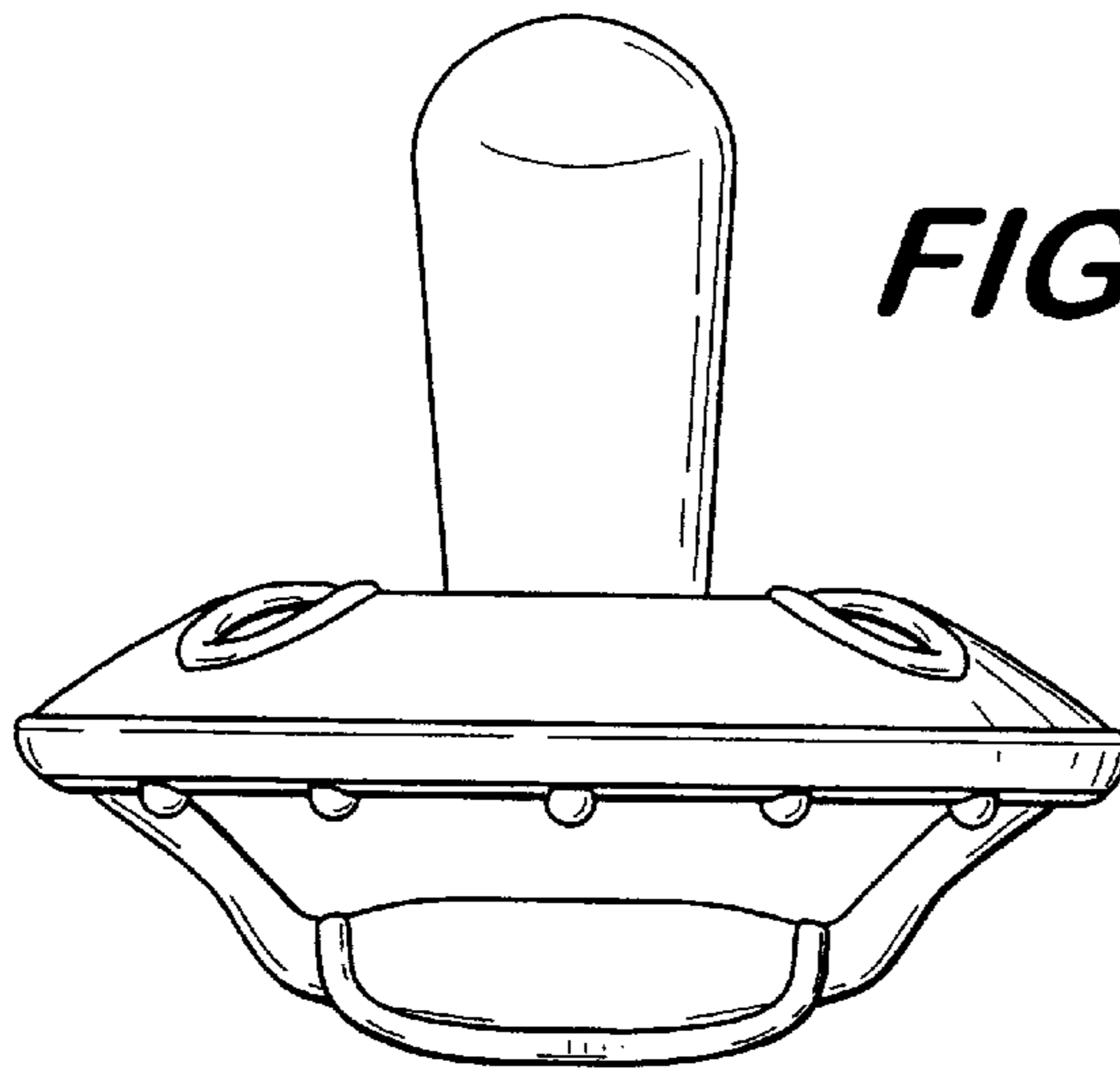
U.S. PATENT DOCUMENTS		
2,803,251	8/1957	White ..... 128/252
2,889,829	6/1959	Tannenbaum et al. .... 128/252
3,115,980	12/1963	De Woskin ..... 215/11
3,130,725	4/1964	Griesinger ..... 128/252
3,339,771	9/1967	Ballin ..... 215/11
3,481,500	12/1969	Palma ..... 215/11
3,662,756	5/1972	Hakim ..... 128/360
3,760,967	9/1973	Welch et al. .... 215/11 C
3,825,014	7/1974	Wroten ..... 128/360
3,886,996	6/1975	Tseitlin et al. .... 164/283 M
4,329,996	5/1982	Copeland ..... 128/359
4,402,321	9/1983	Berg ..... 128/359
4,505,398	3/1985	Kesselring ..... 215/11 B
4,577,632	3/1986	Grasset ..... 128/360
4,640,282	2/1987	Careborg ..... 128/360
4,676,386	6/1987	Phlaphongphanich ..... 215/11
4,688,571	8/1987	Tesler ..... 128/360
4,768,510	9/1988	Leung ..... 128/360
4,819,641	4/1989	Russell et al. .... 128/360
4,896,666	1/1990	Hinkle ..... 128/202.13
5,004,473	4/1991	Kalantar ..... 606/234
5,078,734	1/1992	Noble ..... 606/236
5,129,532	7/1992	Martin ..... 215/11.1
5,133,740	7/1992	Kussick ..... 606/236
5,176,705	1/1993	Noble ..... 606/236
5,178,291	1/1993	Piercey ..... 215/11.1
5,211,656	5/1993	Maddocks et al. .... 606/236
5,292,335	3/1994	Shin ..... 606/234
5,292,336	3/1994	Spence, Jr. et al. .... 606/236
5,342,398	8/1994	Sun ..... 606/235
5,403,349	4/1995	Röhrig ..... 606/234
5,454,835	10/1995	Wu ..... 606/235
5,474,028	12/1995	Larson et al. .... 119/71
5,512,047	4/1996	Dvorak ..... 604/77
5,611,622	3/1997	Wang ..... 374/151
5,700,279	12/1997	Blando ..... 606/236
5,759,195	6/1998	Fields et al. .... 606/236
5,797,505	8/1998	Kaura ..... 215/11.5
5,868,131	2/1999	Murchie ..... 128/204.13
5,881,893	3/1999	Manganiello ..... 215/11.5

**FIG. 1**

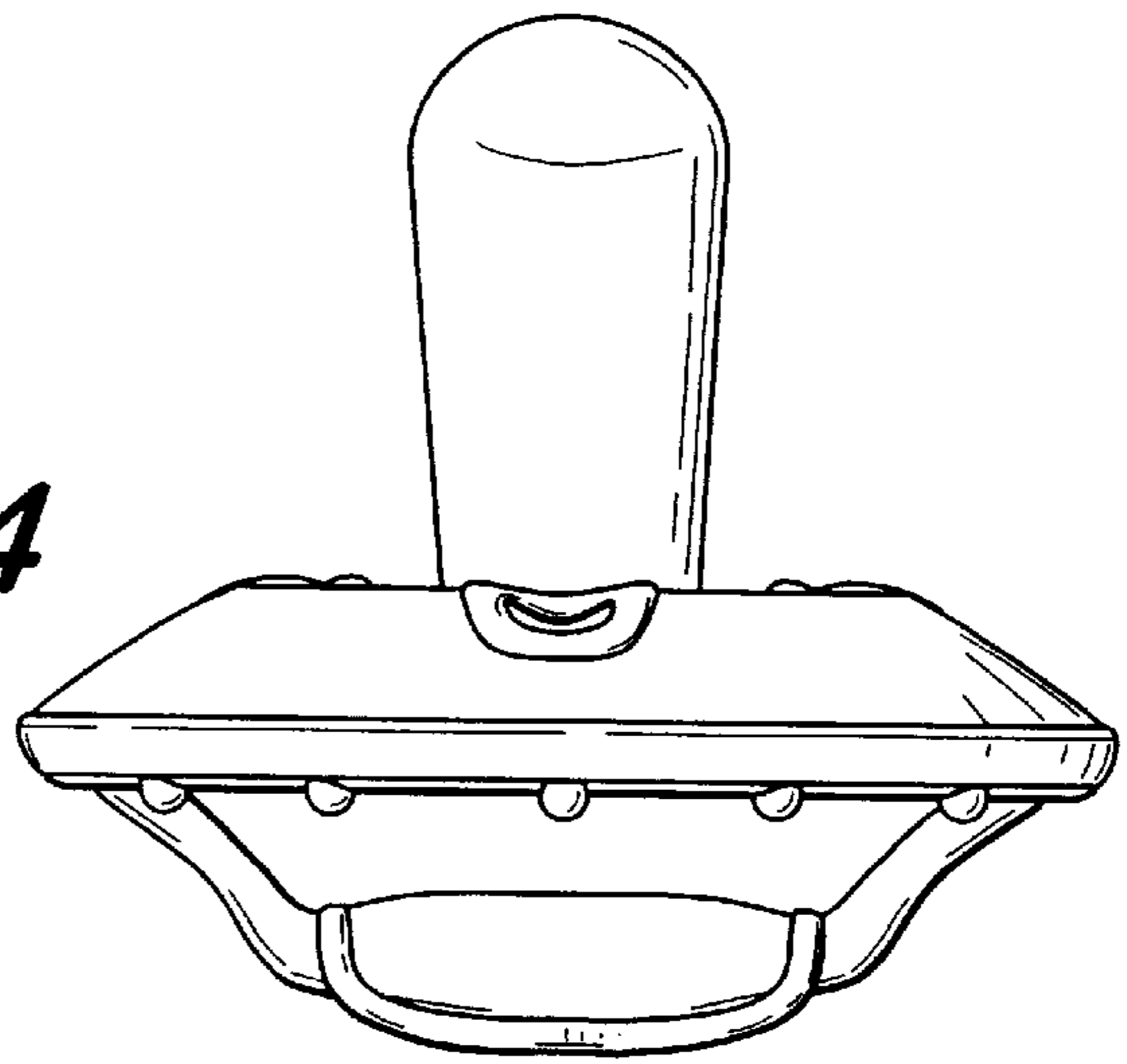


**FIG. 2**



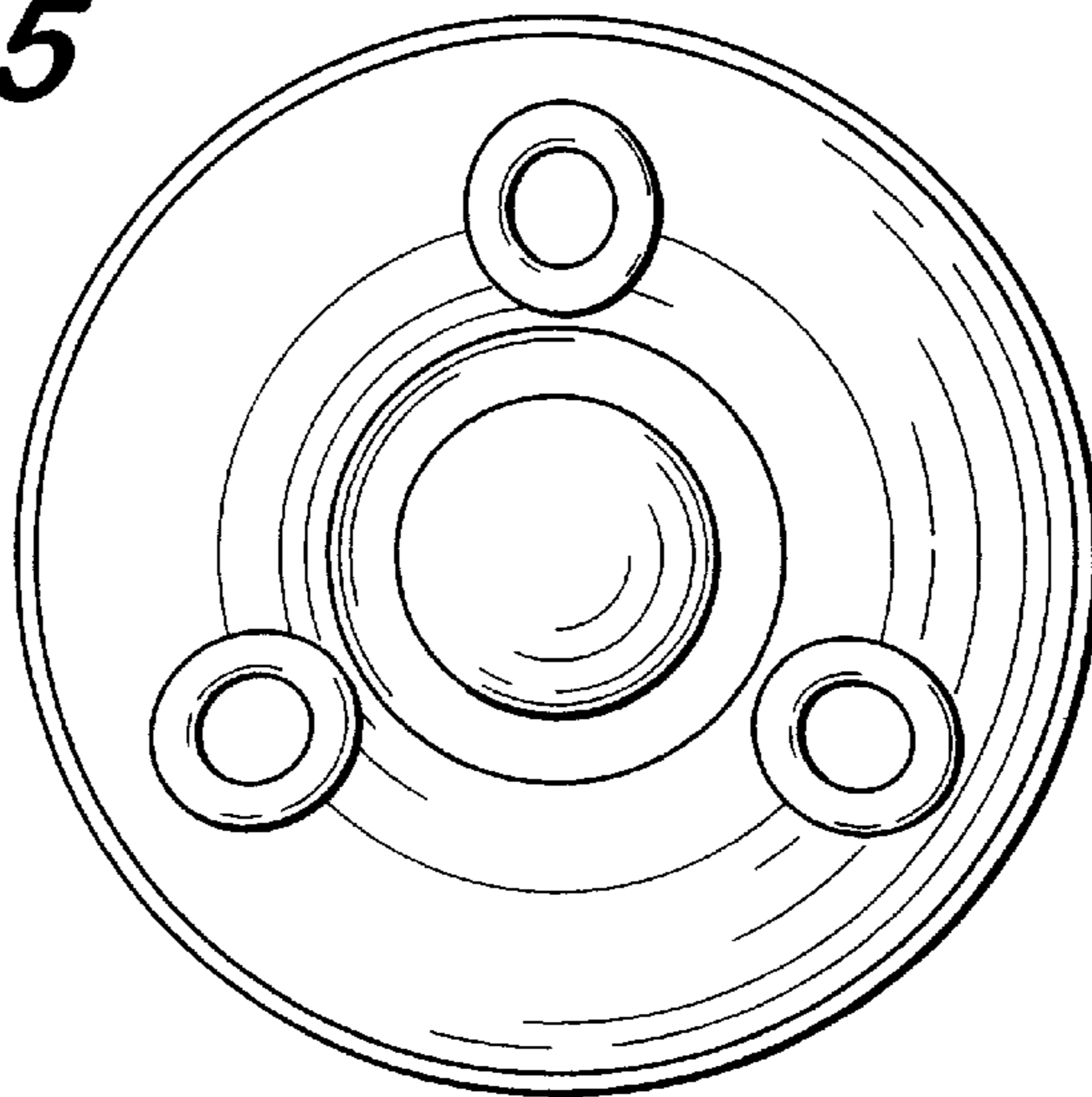


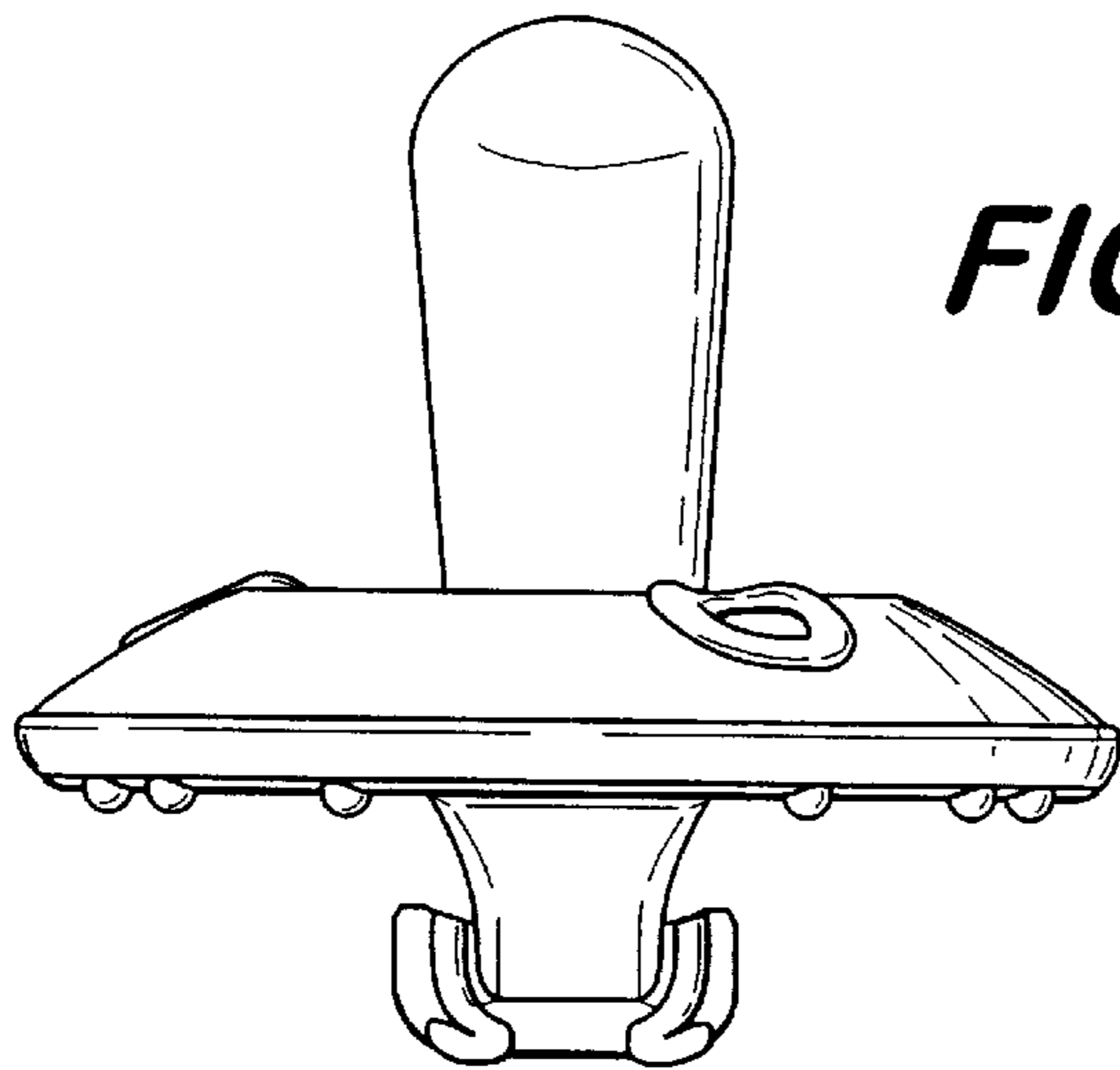
**FIG. 3**



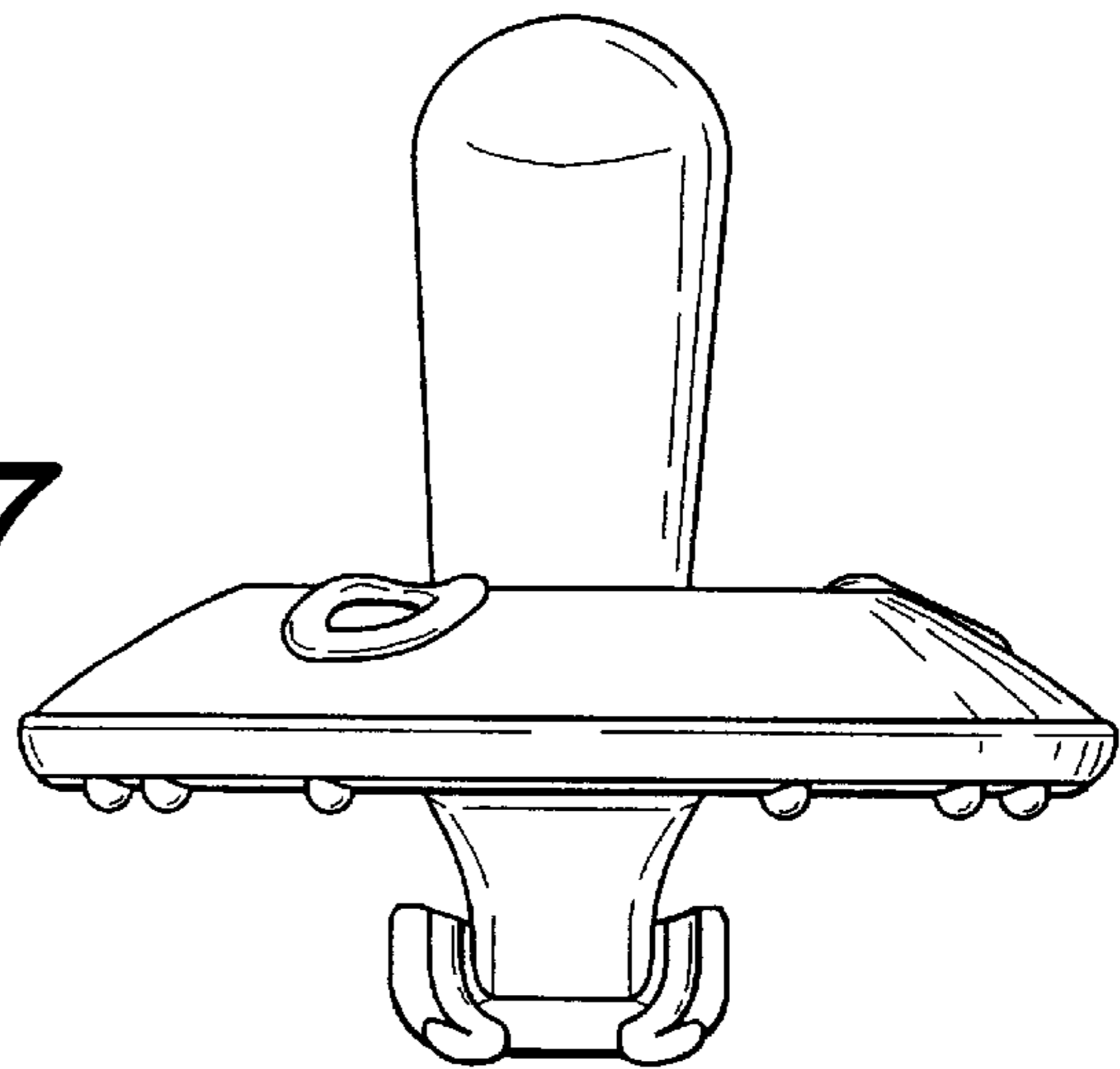
**FIG. 4**

**FIG. 5**

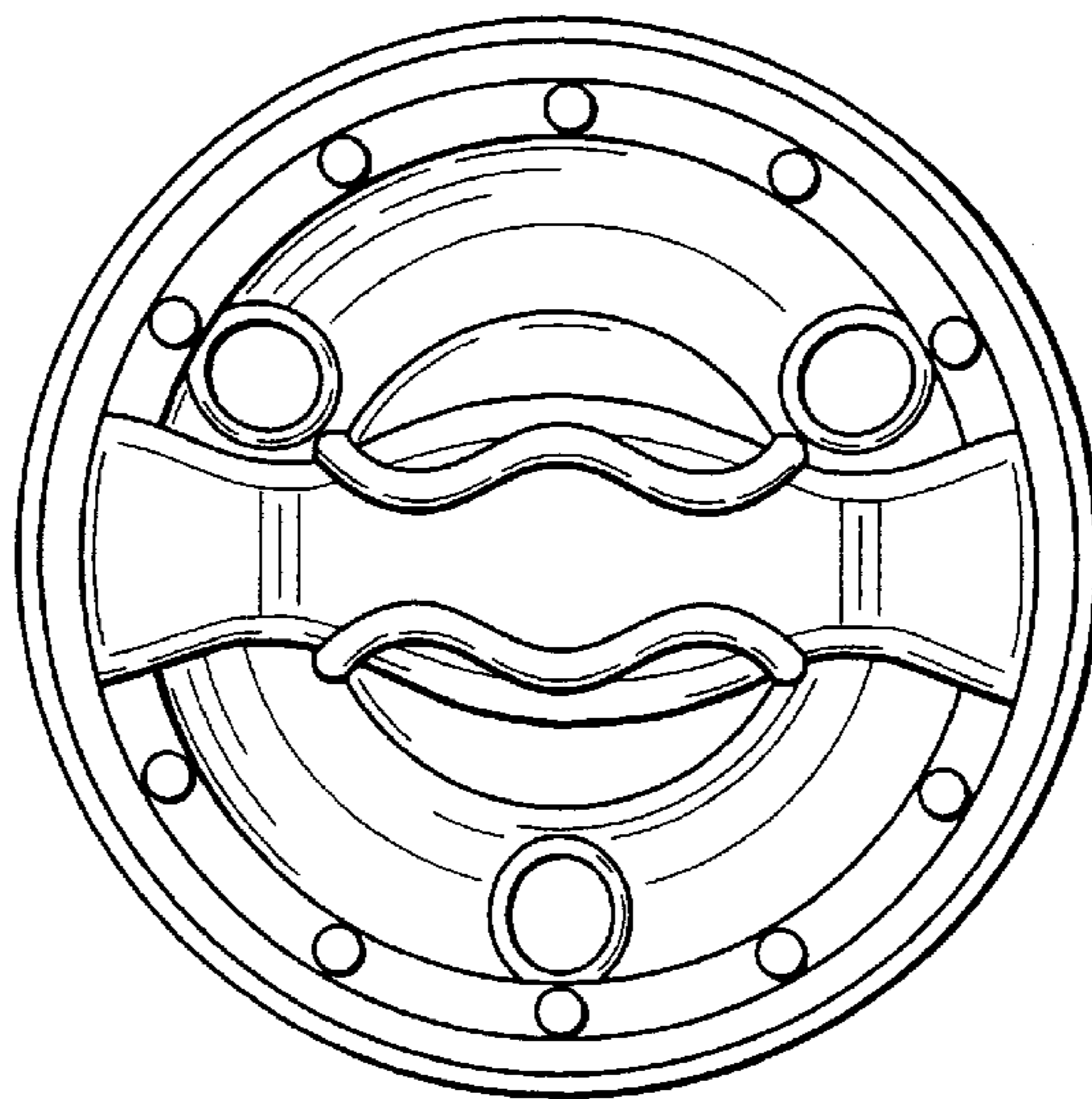




**FIG. 6**



**FIG. 7**



**FIG. 8**