



US00D444879S

(12) **United States Design Patent**  
**Rodgers**

(10) **Patent No.:** **US D444,879 S**

(45) **Date of Patent:** **\*\* Jul. 10, 2001**

(54) **COMBINED SHIN SPLINT AND  
COMPRESSION WRAP**

5,890,224 \* 4/1999 Clark ..... 2/22

\* cited by examiner

(76) **Inventor:** **Jeffrey R. Rodgers**, 1601 N. Sepulveda  
Blvd. #349, Manhattan Beach, CA (US)  
90266

*Primary Examiner*—Stella Reid

(74) *Attorney, Agent, or Firm*—Norton R. Townsley

(\*\*) **Term:** **14 Years**

(57) **CLAIM**

I claim the ornamental design for the combined shin splint  
and compression wrap, as shown and described.

(21) **Appl. No.:** **29/133,878**

**DESCRIPTION**

(22) **Filed:** **Dec. 7, 2000**

(51) **LOC (7) Cl.** ..... **24-04**

(52) **U.S. Cl.** ..... **D24/192**

(58) **Field of Search** ..... D24/190, 192;  
602/23, 27, 5, 60, 61, 62, 65, 13, 14; 2/22;  
D29/120

FIG. 1 is a perspective view of a combined shin splint and  
compression wrap, showing my new design in assembled  
condition; the broken line showing of the shin being for  
illustrative purposes only and forming no part of the claimed  
design;

FIG. 2 is a front view thereof;

FIG. 3 is a rear view thereof;

FIG. 4 is a view thereof from one side;

FIG. 5 is a view thereof from the other side;

FIG. 6 is a view thereof from one end;

FIG. 7 is a view thereof from the other end;

FIG. 8 is a perspective view thereof, unassembled; and,

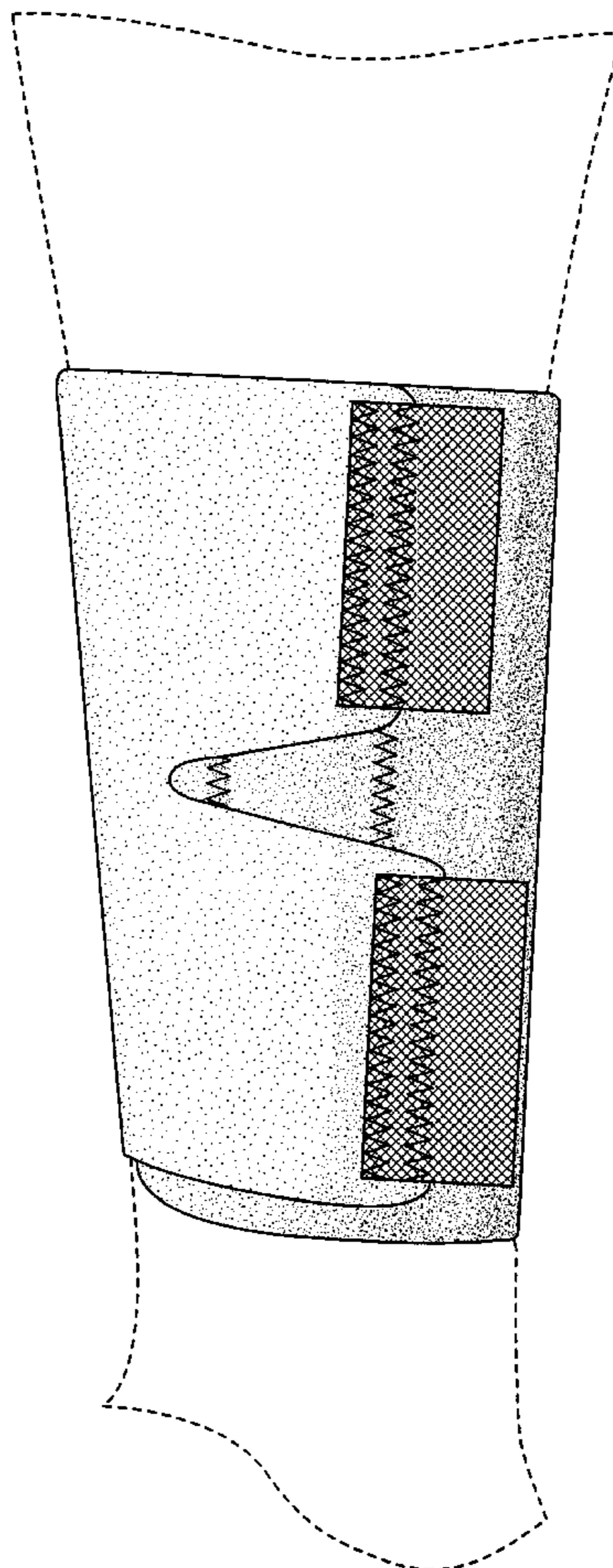
FIG. 9 is a perspective view of an alternate embodiment  
thereof, unassembled.

(56) **References Cited**

**U.S. PATENT DOCUMENTS**

D. 269,816	*	7/1983	Meier et al.	.....	D24/190
3,338,237	*	8/1967	Sconce	.....	602/13
3,561,435	*	2/1971	Nicholson	.....	602/14
3,901,225	*	8/1975	Sconce	.....	602/13
4,306,315	*	12/1981	Castiglia	.....	2/22

**1 Claim, 8 Drawing Sheets**



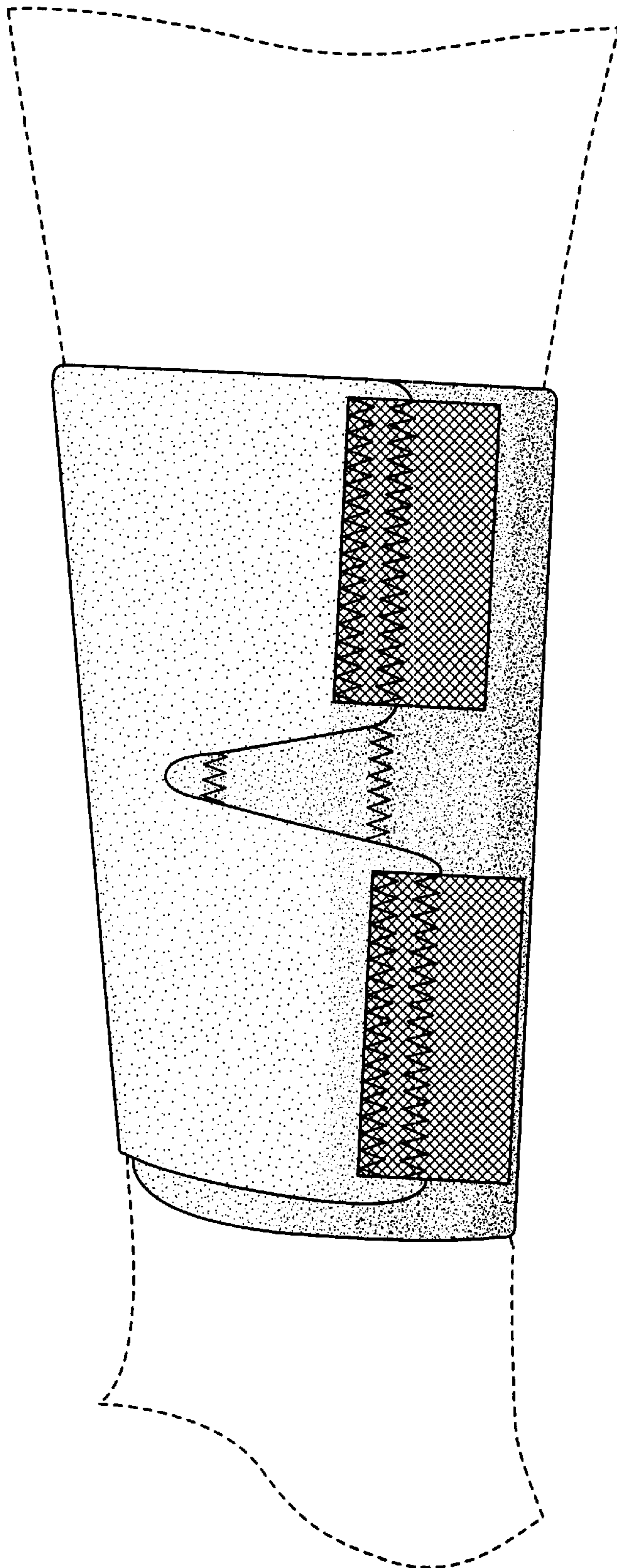


FIG. 1

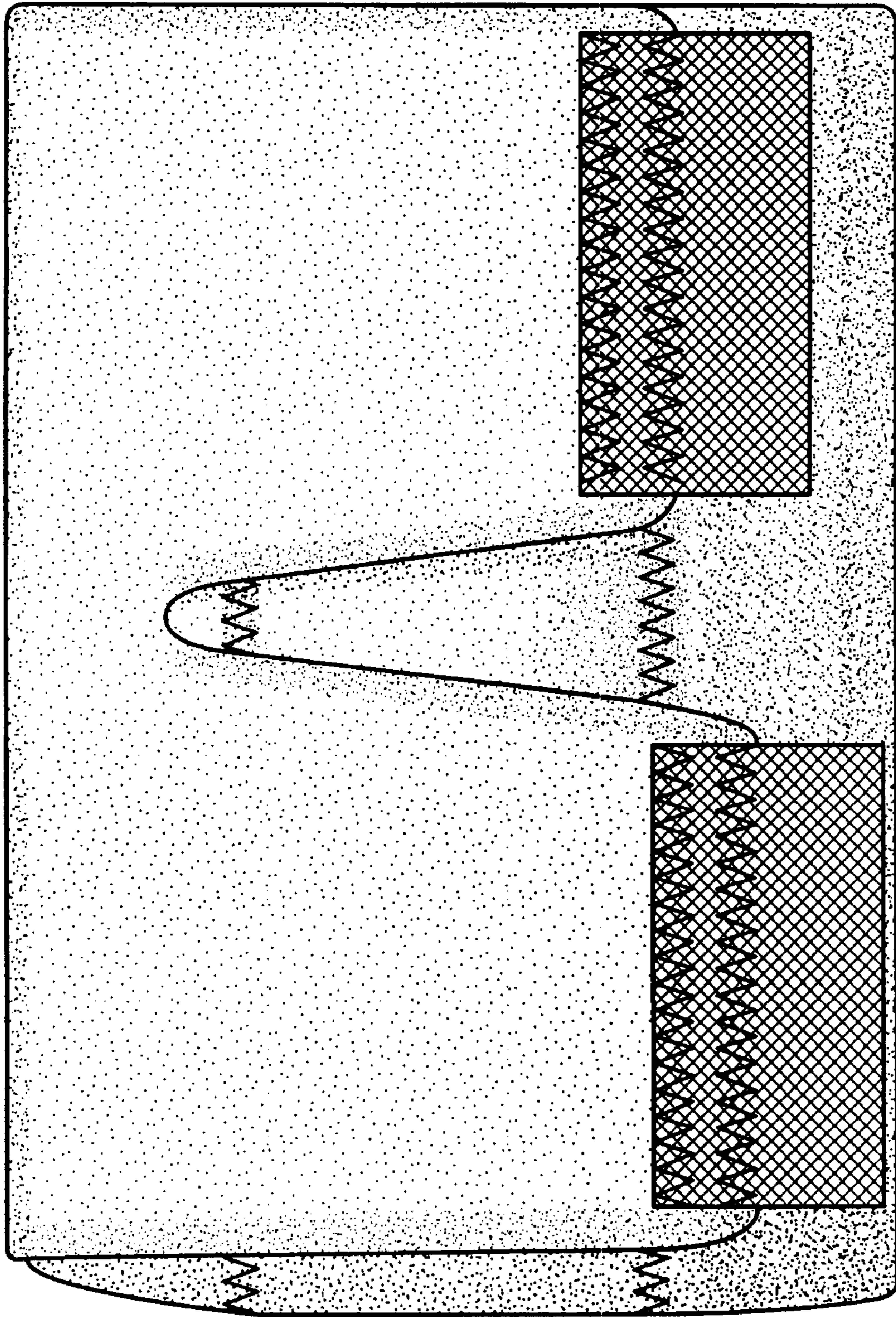


FIG. 2

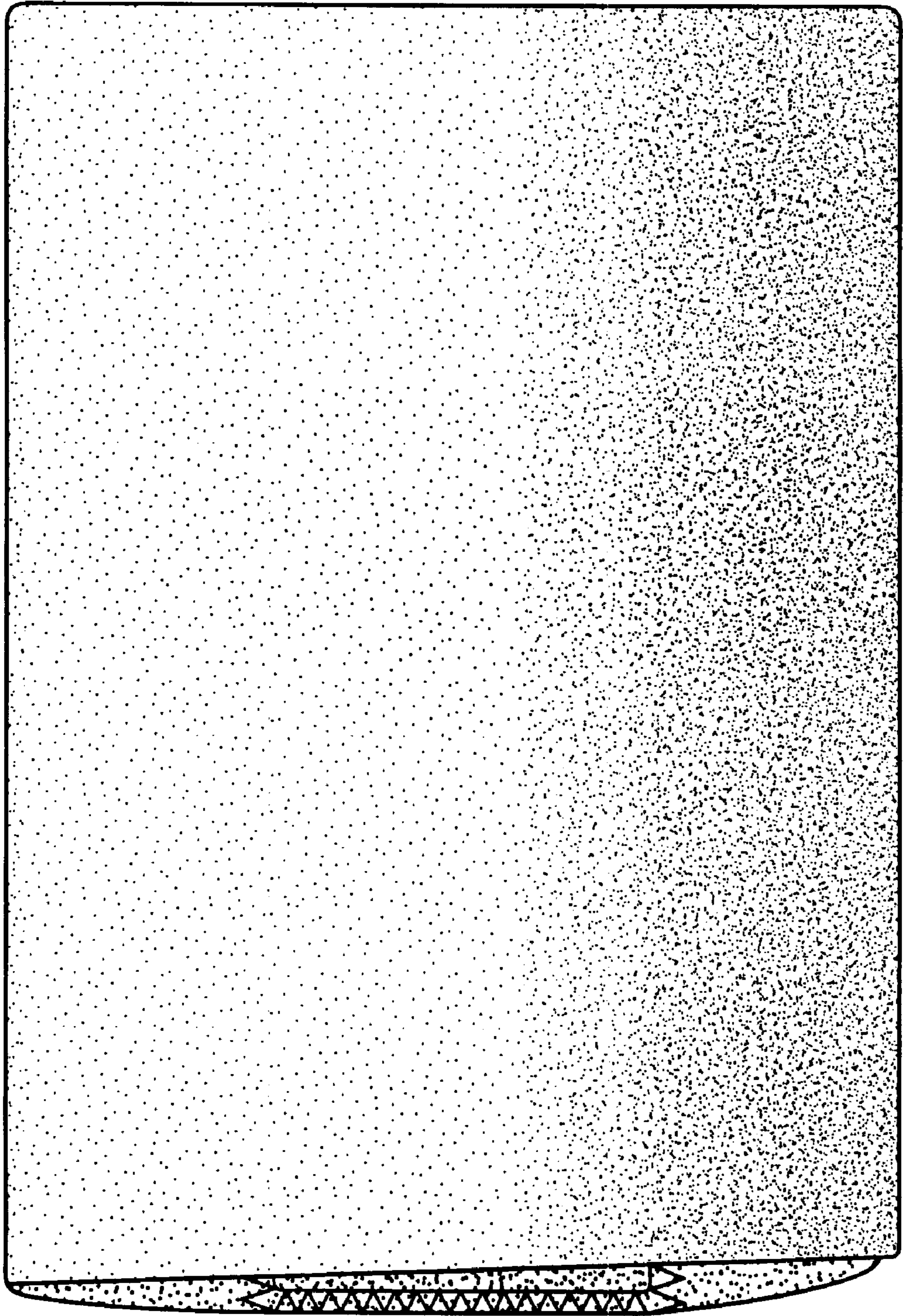


FIG. 3

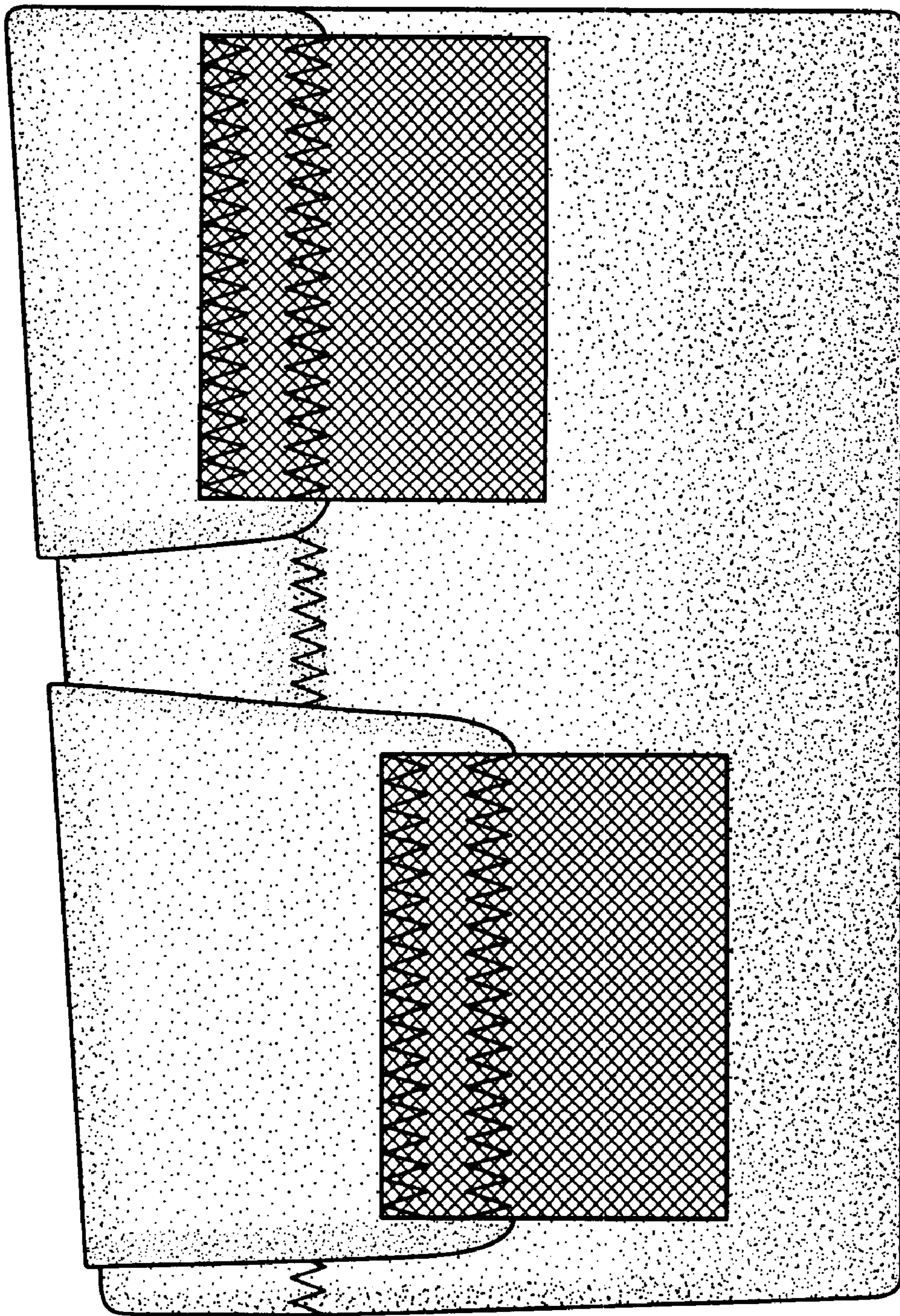


FIG. 4

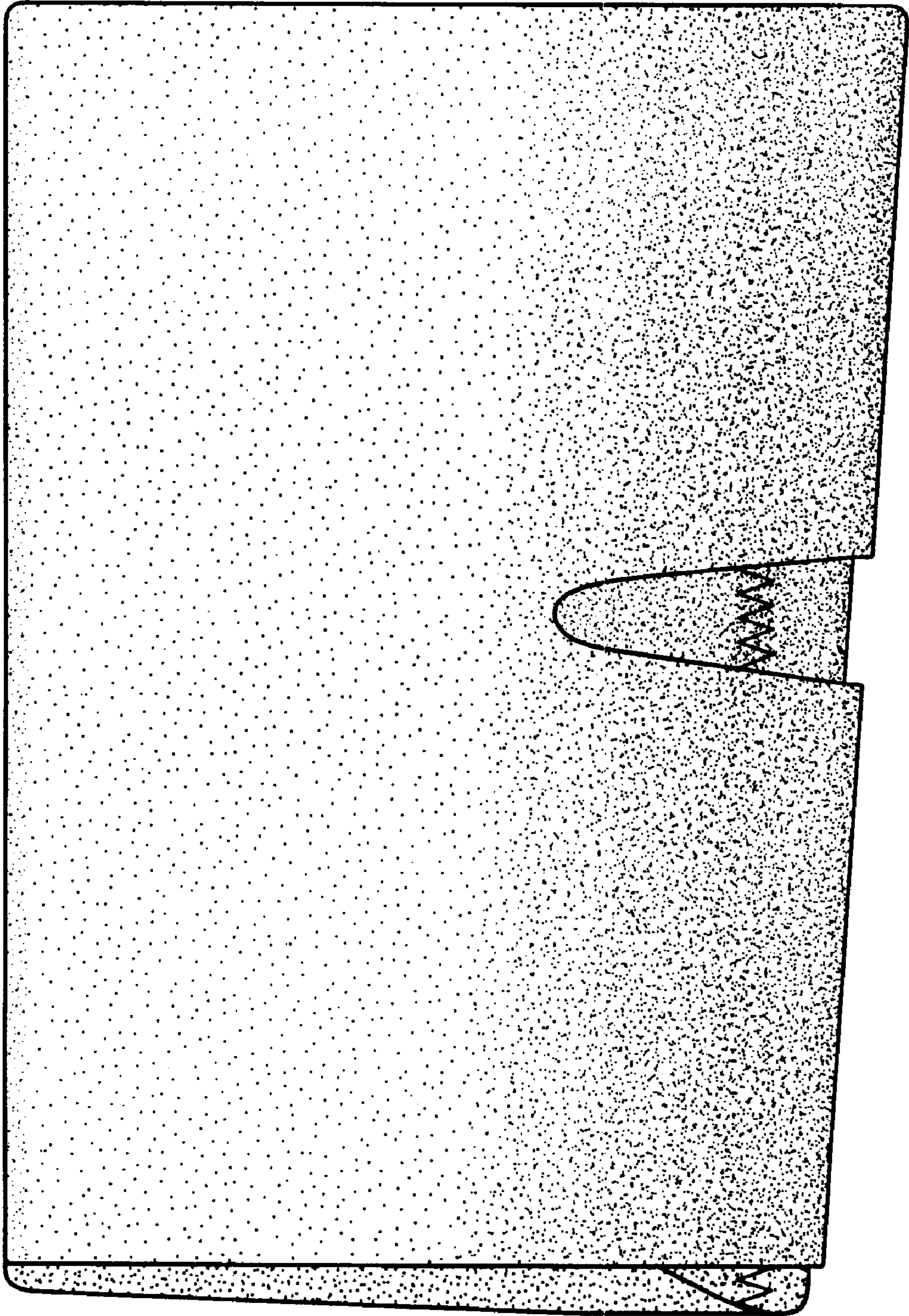


FIG. 5

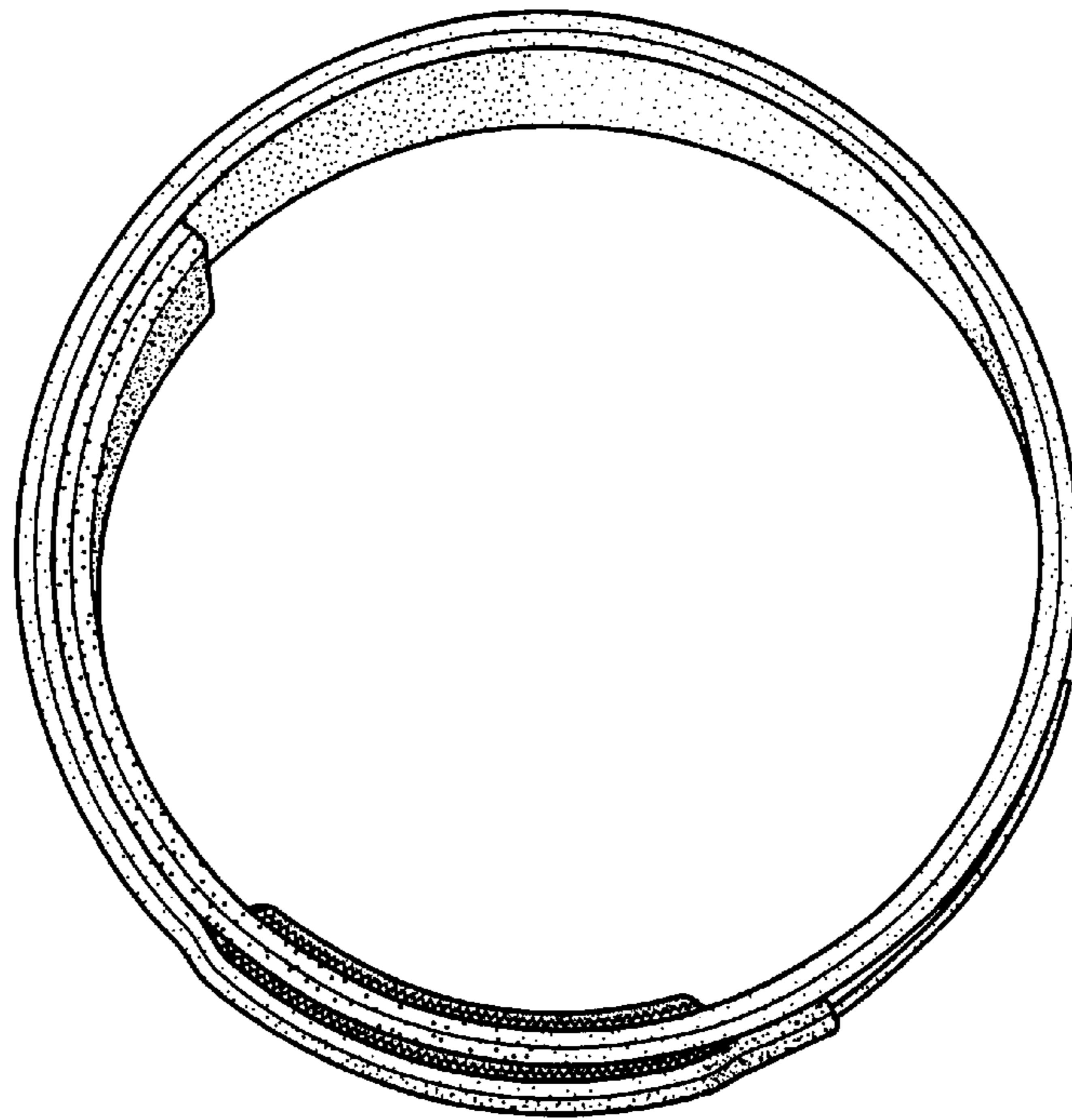


FIG. 6

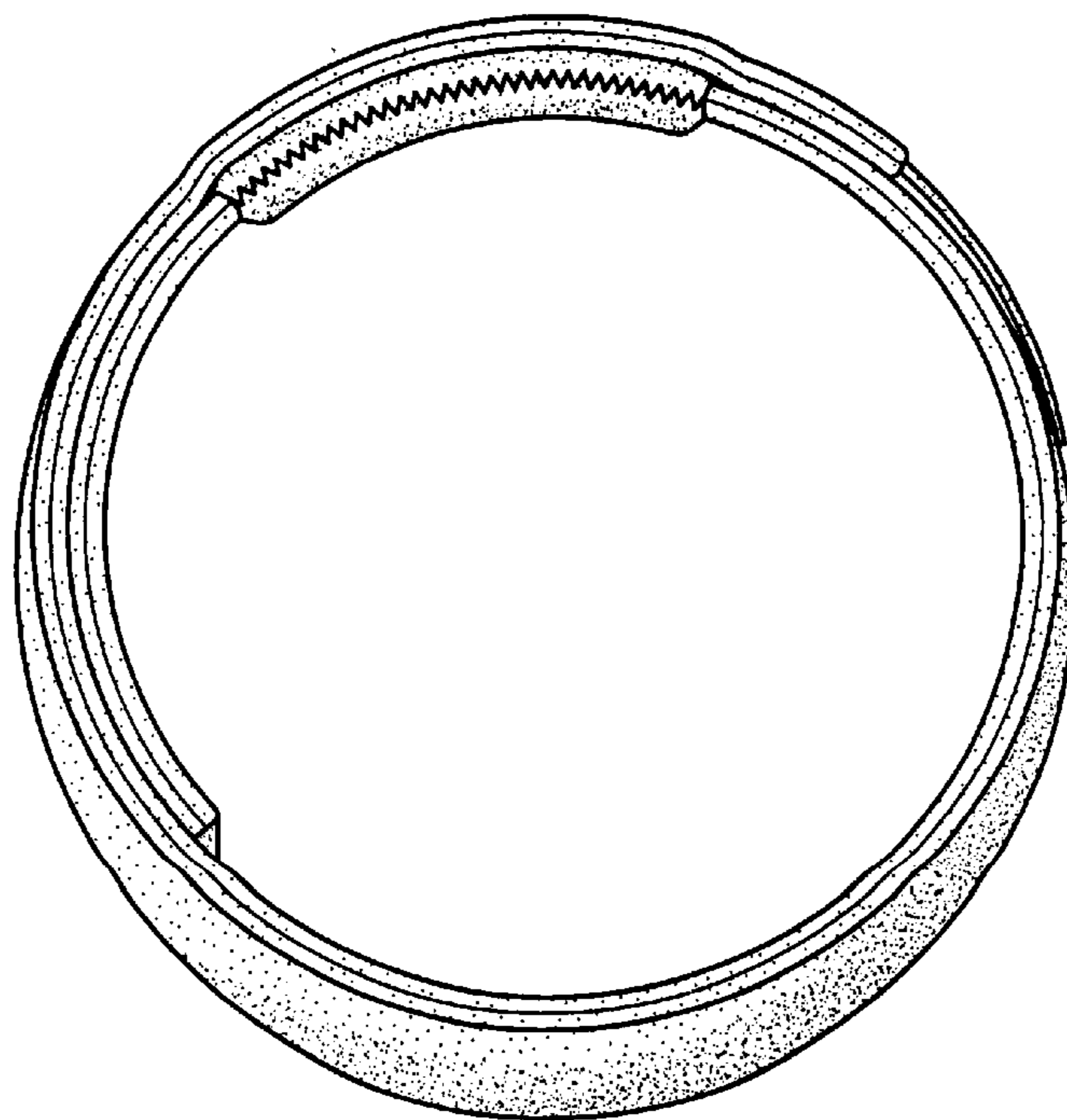


FIG. 7

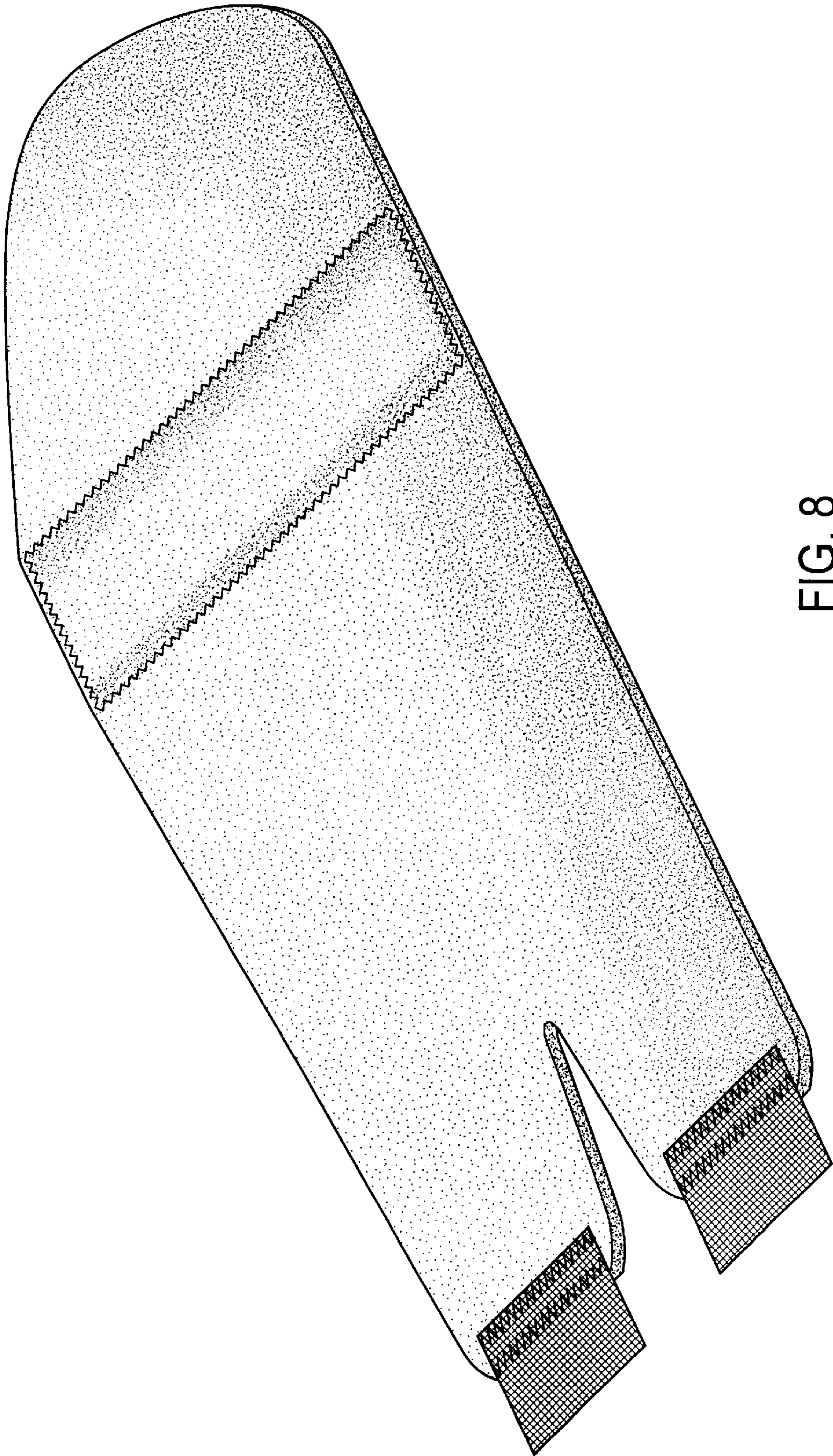


FIG. 8



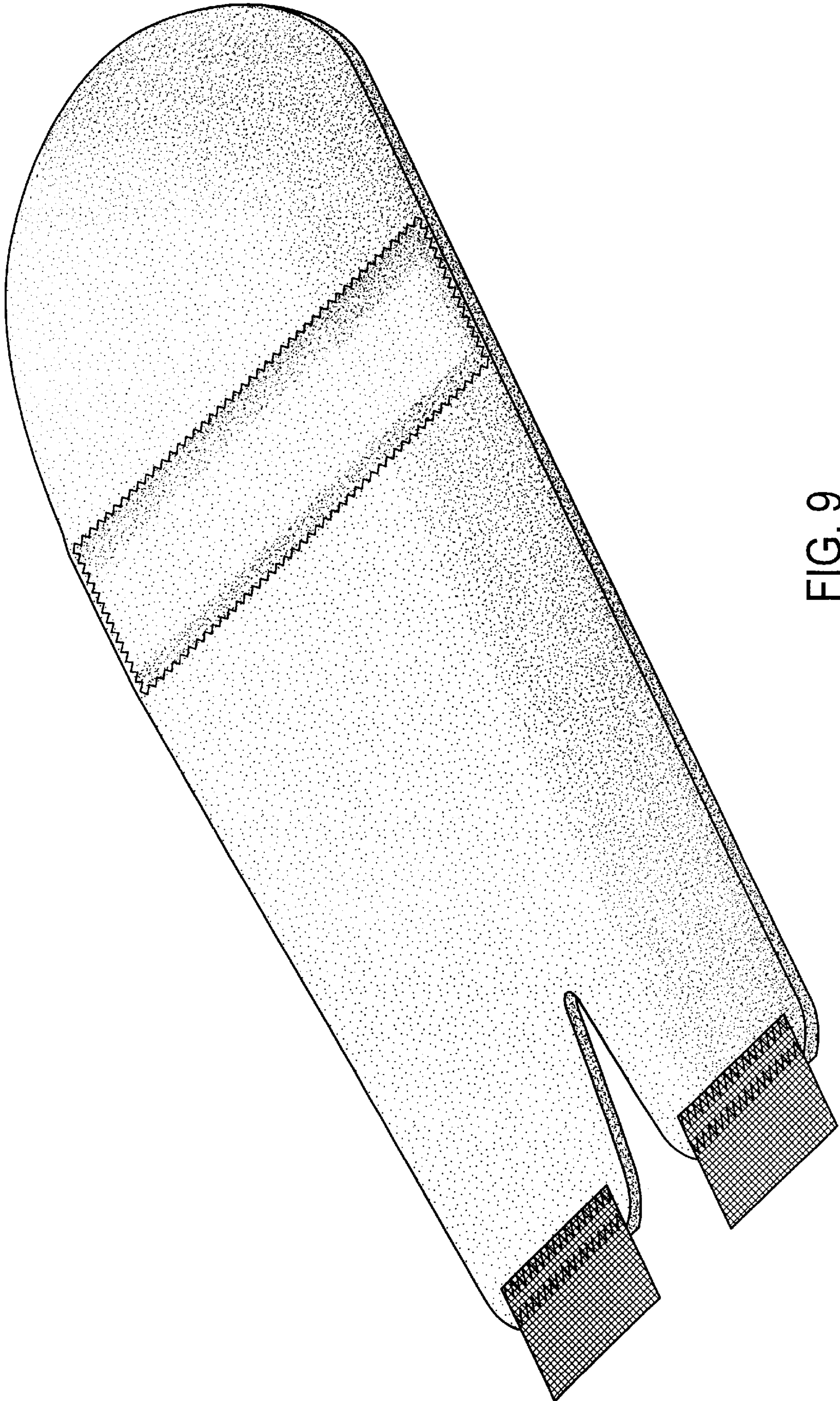


FIG. 9